

ACT 4436 DUAL TRANSCEIVER FOR MIL-STD-1553/1760

Features

- ★ *Smaller Case Outline than ACT4487D*
- +5 / ±15 Volt Supply Operation
- Low Power Dissipation
- Outstanding MIL-STD-1553 performance
- Radiation Hard Dielectric Isolation Monolithic Construction for Severe Environments
- Input and Output TTL Compatible Design
- Processed and Screened to MIL-STD-883 Specs
- MIL-PRF-38534 Compliant Devices Available
- DESC SMD# 5962-89447



General Description

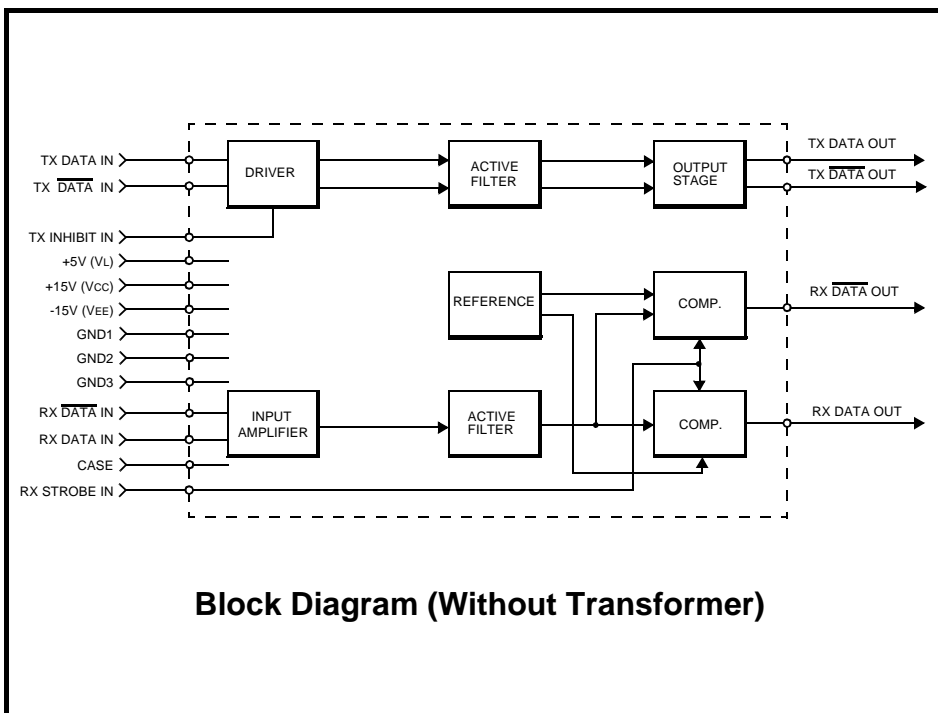
The Aeroflex Circuit Technology ACT 4436 is a next generation monolithic transceiver design which provides full compliance to MIL-STD-1553A/B and 1760 requirements in a smaller package with lower pin count than the ACT4487D, for those designs with less board space.

The ACT 4436 series performs the front-end analog function of inputting and outputting data through a transformer to the MIL-STD-1553 data bus.

Design of this transceiver reflects particular attention to active filter performance. This results in low bit and word error rate with superior waveform purity and minimal zero crossover distortion. Efficient transmitter electrical and thermal design provides low internal power dissipation and heat rise at high as well as low duty cycles.

Transmitter:

The Transmitter section accepts bi-phase TTL data at the input and when coupled to the data bus with a 1.4:1 ratio transformer, isolated on the data bus side with two 52.5 Ohm fault isolation resistors, and loaded by two 70 Ohm terminations, the data bus signal is typically 7.5 Volts P-P at point A (See Figure 5). When both DATA and $\overline{\text{DATA}}$ inputs are held low or high, the transmitter output becomes a high impedance and is "removed" from the line. In addition,



an overriding "INHIBIT" input provides for the removal of the transmitter output from the line. A logic "1" signal applied to the "INHIBIT" takes priority over the condition of the data inputs and disables the transmitter (See Transmitter Logic Waveform, Figure 1). The Transmitter may be safely operated for an indefinite period with the bus (point A) short circuited at 100% duty cycle.

Receiver:

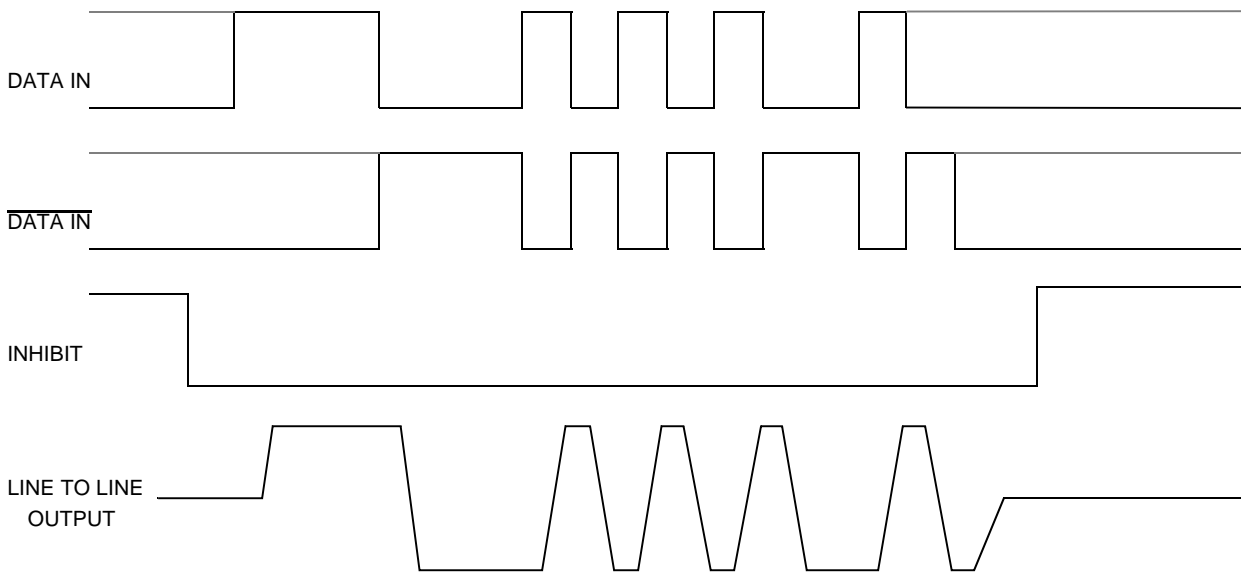
The Receiver section accepts bi-phase differential data at the input and produces two TTL signals at the output. The outputs are DATA and $\overline{\text{DATA}}$, and represent positive and negative excursions of the input beyond a pre-determined threshold (See Receiver Logic Waveform, Figure 2).

The pre-set internal thresholds will detect data bus signals, point A

Figure 5, exceeding 1.20 Volts P-P and reject signals less than 0.6 Volts P-P when used with a transformer (See Figure 5 for transformer data and typical connection).

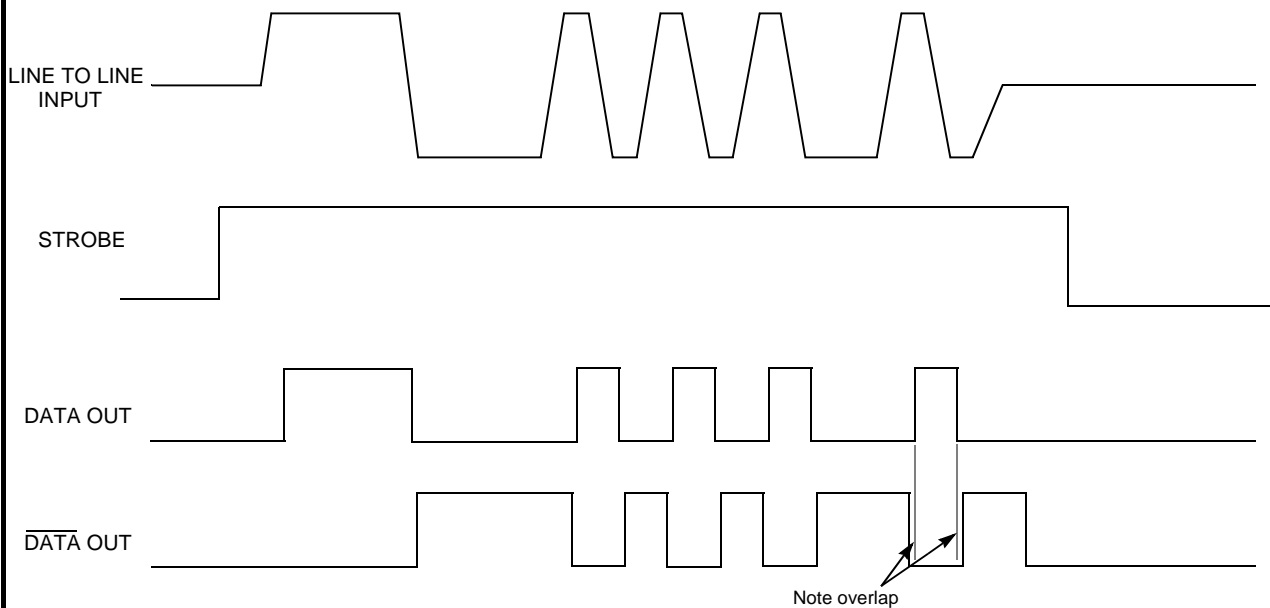
A low level at the RX Strobe input inhibits the DATA and $\overline{\text{DATA}}$ outputs. If unused, a 2K pull-up to +5 Volts is recommended.

Figure 1 — Transmitter Logic Waveforms Idealized



Note: DATA and $\overline{\text{DATA}}$ inputs must be complementary waveforms or 50% duty cycle average, with no delays between them, and must be in the same state during off times (both high or low).

Figure 2 — Receiver Logic Waveforms Idealized (ACT4436D)



Absolute Maximum Ratings

Operating case temperature	-55°C to +125°C
Storage case temperature	-65°C to +150°C
Power supply voltage V _{CC} V _{EE} V _L	-0.3 V to +18 V +0.3 V to -18 V -0.3 V to +7.0 V
Logic input voltage	-0.3 V to +5.5 V
Receiver differential input	±40 VP-P
Receiver input voltage (common mode)	±10 V
Driver peak output current	300 mA
Total package power dissipation over the full operating case temperature rise	2.5 Watts (Note: Normal operation conditions require one transceiver on and the other off)
Maximum junction to case temperature	10°C
Thermal resistance – junction to case	4°C/W

Electrical Characteristics — Driver Section

Input Characteristics, TX DATA IN or TX $\overline{\text{DATA}}$ IN (Notes 2 & 3 apply)

Parameter	Condition	Symbol	Min	Typ	Max	Unit
"0" Input Current	V _{IN} = 0.4 V	I _{ILD}		-0.1	-0.2	mA
"1" Input Current	V _{IN} = 2.7 V	I _{IHD}		1	40	μA
"0" Input Voltage		V _{IHD}			0.7	V
"1" Input Voltage		V _{IHD}	2.0			V

Inhibit Characteristics

"0" Input Current	V _{IN} = 0.4 V	I _{ILI}		-0.1	-0.2	mA
"1" Input Current	V _{IN} =2.7V	I _{IHI}		1.0	40	μA
"0" Input Voltage		V _{ILI}			0.7	V
"1" Input Voltage		V _{IHI}	2.0			V
Delay from TX inhibit, (0→1) to inhibited output	From mid pt inhibit to ±1.2V pt B, See Figure 5	t _{DXOFF}		175	225	nS
Delay from TX inhibit, (1→0) to active output		t _{DXON}		90	150	nS
Differential output noise, inhibit mode		V _{NOI}		2	10	mV _{P-P}
Differential output impedance (inhibited) Note 1 See Figure 5	Point B	Z _{OI}	2K			Ω
	Point C	Z _{OI}	1K			Ω

Output Characteristics

Differential output level, See Figure 5	Point A	V _O	6	7.5	9	V _{P-P}
Rise and fall times(10% to 90% at pt A output) See Figure 5	Point A	t _r	100	160	200	nS
Output offset, Figure 3, 2.5μS after midpoint crossing of the parity bit of the last word of a 660μS message See Figure 5	Point A	V _{OS}			± 90	mV peak
Delay from 50% point of TX DATA or TX $\overline{\text{DATA}}$ input to zero crossing of differential signal. See Fig 5	Point A	t _{DXT}		100	200	nS

Electrical Characteristics — Receiver Section

Parameter	Condition	Symbol	Min	Typ	Max	Unit
Differential Receiver Input Voltage Range (See Figure 5, Point B)	TXFMR 1.4:1	V_{IDR}			40	V_{P-P}
Common Mode Rejection Ratio (Note 3)		CMRR	45			dB
"1" State – Rx Data or Rx $\overline{\text{Data}}$ Output	$I_{OH} = -0.4 \text{ mA}$	V_{OH}	2.5	3.7		V
"0" State – Rx Data or Rx $\overline{\text{Data}}$ Output	$I_{OI} = 4 \text{ mA}$	V_{OL}		0.35	0.5	V
Delay (average) from Differential Input Zero Crossings to RX DATA and RX $\overline{\text{DATA}}$ Output 50% points		t_{DXT}		270	400	nS
Input Threshold Voltage (referred to the bus)	100KHz–1MHz	V_{TH}	0.60	0.75	1.15	V_{P-P}

Strobe Characteristics (Logic "0" Inhibits Output)

"0" Input Current	$V_S=0.4V$	I_{IL}		-0.1	-0.2	mA
"1" Input Current	$V_S=2.7V$	I_{IH}		1	+40	μA
"0" Input Voltage		V_{IL}			0.7	V
"1" Input Voltage		V_{IH}	2.0			V
Strobe Delay (Turn-on or Turn-off)		t_{SD}		50	100	nS

Power Data

Power Supply Currents – Per Channel – See Figure 4

Transmitter Standby		I_{CC}		0	1	mA
		I_{EE}		12	16	
		I_L		18	30	
25% duty cycle		I_{CC}		45	50	
		I_{EE}		12	20	mA
		I_L		18	30	
50% duty cycle		I_{CC}		90	100	
		I_{EE}		12	20	
		I_L		18	30	mA
100% duty cycle		I_{CC}		180	200	
		I_{EE}		12	20	
		I_L		18	30	

Power Supply Voltages

$\pm 15V$ Operating Power Supply Voltage Range		V_{CC}	+14.25	+15.00	+15.75	V
		V_{EE}	-14.25	-15.00	-15.75	
+5V Operating Power Supply Voltage Range)		V_L	+4.50	+5.00	+5.50	V

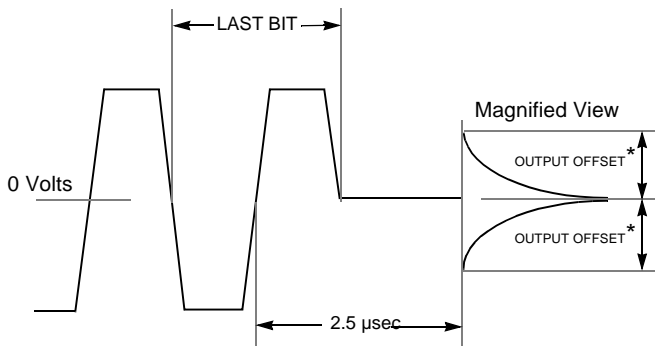
Note 1. Power on or off, measured from 75KHz to 1MHz at point A and transformer self impedance of $3K\Omega$ minimum at 1MHz.

Note 2: Power Supplies: ± 15 Volts ± 0.75 V & +5 Volts ± 0.5 V, bypassed by $10 \mu F$ (Tantalum recommended) Capacitor minimum. All measurements & specifications apply over the temperature range of $-55^\circ C$ to $+125^\circ C$ (case temperature) unless otherwise specified.

Note 3: When measured as shown per Figure 5 with ± 10 Volt peak, line to ground, DC to 2MHz

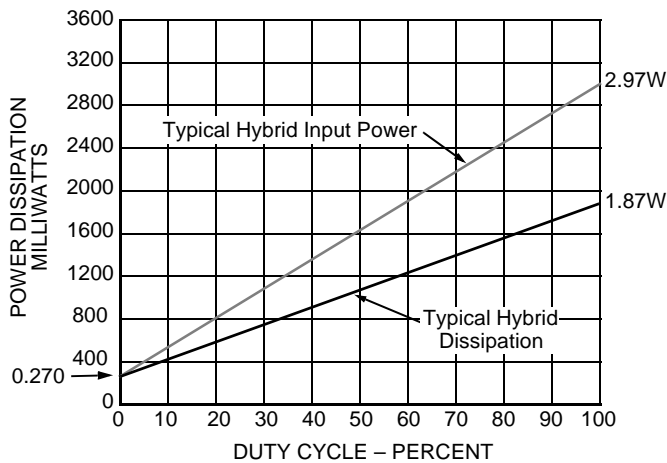
Note 4: Typical power is measured with V_{BUS} at point A = $7.5 V_{P-P}$

Figure 3 – Transmitter (TX) Output Offset



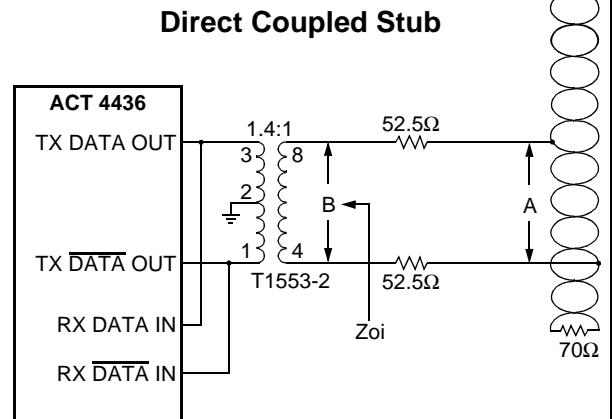
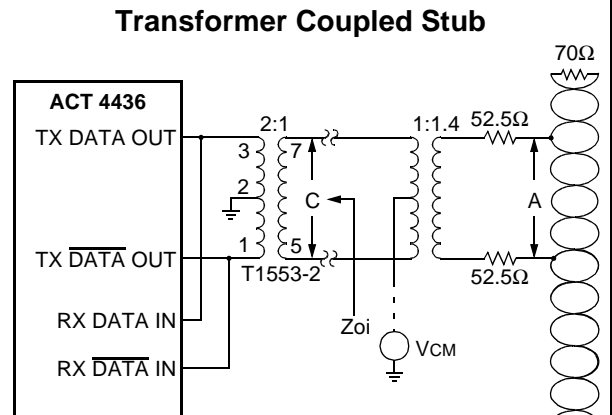
*Offset measured at point A in Figure 5

Figure 4 – Hybrid Power Dissipation vs. Duty Cycle (Total hybrid with one channel transmitting and the other not powered – 100% Duty Cycle)



Note: $V_{CC} = +15V$, $V_{EE} = -15V$, $V_L = +5V$, Transformer ratio 1.4:1, V_{BUS} (point A) at 7.5VP-P.

Figure 5 – Typical 1553 Bus Connections



Transformer Model use Technitrol Part# 1553-2 or equivalent

Configurations and Ordering Information

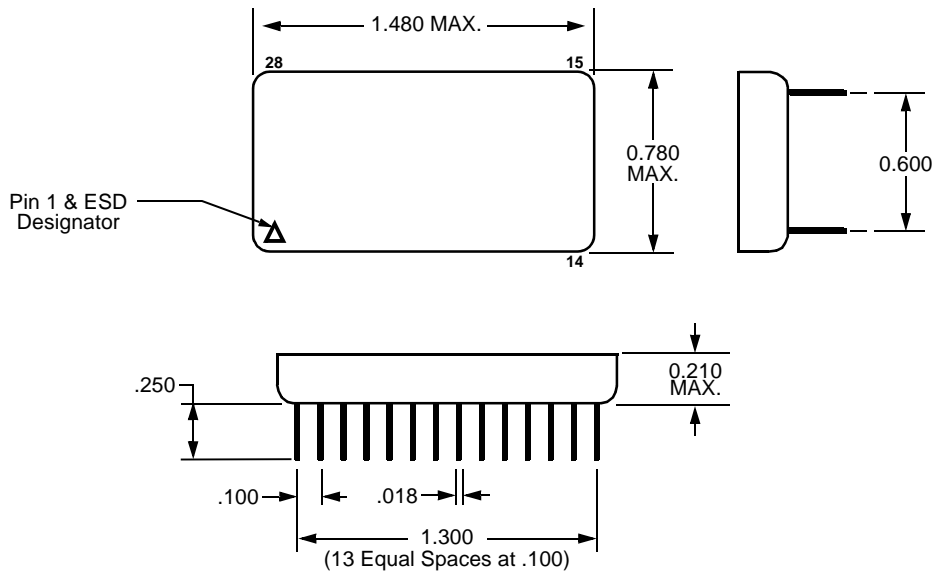
ACT Model # / Ordering Part #	Case Style	DESC Number	Rx Standby
ACT 4436-D	Plug In	5962-TBA	Normally Low
ACT 4436-DI	Plug In	5962-8944708HUX	Normally High
ACT 4436-DF	Flat Package	5962-TBA	Normally Low
ACT 4436-DFI	Flat Package	5962-8944708HZX	Normally High

Specifications subject to change without notice.

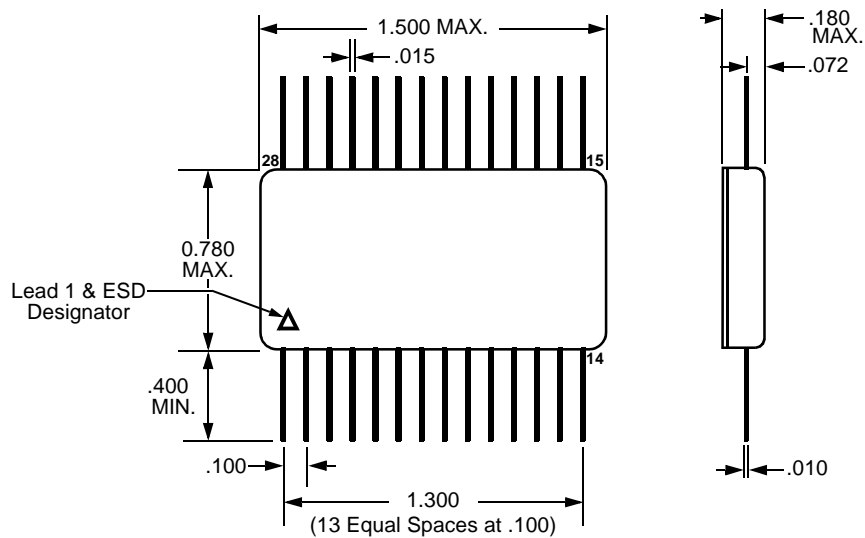
Figure 6 – Lead Numbers & Functions

ACT4436D – Plug In and Flat Package		
Pin #	Function	Channel
1	TX DATA OUT/ RX DATA IN	A
2	TX $\overline{\text{DATA}}$ OUT/ RX $\overline{\text{DATA}}$ IN	A
3	GROUND	A
4	RX STROBE	A
5	RX $\overline{\text{DATA}}$ OUT	A
6	RX DATA OUT	A
7	CASE	A
8	TX DATA OUT/ RX DATA IN	B
9	TX $\overline{\text{DATA}}$ OUT/ RX $\overline{\text{DATA}}$ IN	B
10	GROUND	B
11	RX STROBE	B
12	RX $\overline{\text{DATA}}$ OUT	B
13	RX DATA OUT	B
14	NC	B
15	GROUND	B
16	-V	B
17	VL	B
18	TX INHIBIT	B
19	TX $\overline{\text{DATA}}$ IN	B
20	TX DATA IN	B
21	+V	B
22	GROUND	A
23	-V	A
24	VL	A
25	TX INHIBIT	A
26	TX $\overline{\text{DATA}}$ IN	A
27	TX DATA IN	A
28	+V	A

Plug In Package Outline



Flat Package Outline



Aeroflex Circuit Technology
35 South Service Road
Plainview New York 11830
www.aeroflex.com/act1.htm

Telephone: (516) 694-6700
FAX: (516) 694-6715
Toll Free Inquiries: (800) THE-1553
E-Mail: sales-act@eroflex.com