

# CT2561

## Bus Controller, Remote Terminal and BUS Monitor

FOR MIL-STD-1553B

### Features

- Second Source Compatible to the BUS-65610
- 16MHz CT2565 Replacement
- RTU implements all dual redundant mode codes
- Selective mode code illegalization available
- 16 bit microprocessor compatibility
- BC checks status word for correct address and set flags
- RTU illegal mode codes externally selectable
- 16 bit  $\mu$ Processor compatibility
- DMA handshaking for subsystem message transfers
- Continuous On-Line and Initiated Built-In-Test
- MIL-PRF-38534 compliant circuits available
- Packaging – Hermetic Metal
  - 78 Pin, 2.1" x 1.87" x .25" Plug-In type package
  - 82 Lead, 2.2" x 1.61" x .18" Flat package



### General Description

The CT2561 is a 16 MHz single chip dual redundant MIL-STD-1553 Bus Controller (BC), Remote Terminal Unit (RTU) and Bus Monitor (MT). Packaged in a hybrid plug-in or flatpack, the CT2561 performs all the functions required to interface a MIL-STD-1553 dual redundant serial data bus such as ACT4487 and a subsystem parallel three-state data bus.

Using a single Aeroflex custom monolithic ASIC design, the CT2561 features pin-for-pin and functional CT2565 compatibility, user initiated self-test, and low power consumption.

Compatible with most microprocessors the CT2561 provides a 16bit three-state parallel data bus and uses direct memory access (DMA type) handshaking for subsystem transfers. All message transfer timing, DMA and control lines are provided internally, thereby reducing the subsystem overhead associated with message transfers.

The CT2561 implements all dual redundant MIL-STD-1553 mode codes. In addition, any mode code may (Optionally) be legalized through the use of an external PROM. Complete error detection is provided by the CT2561 for BC and RTU operation. Error detection includes: response time-out, inter-message gaps, sync, parity, Manchester, word count and bit count.

The CT2561 is fully compliant with MIL-STD-1553, is available screened in accordance with the requirements of MIL-STD-883 and operates over the full military temperature range of -55°C to +125°C.

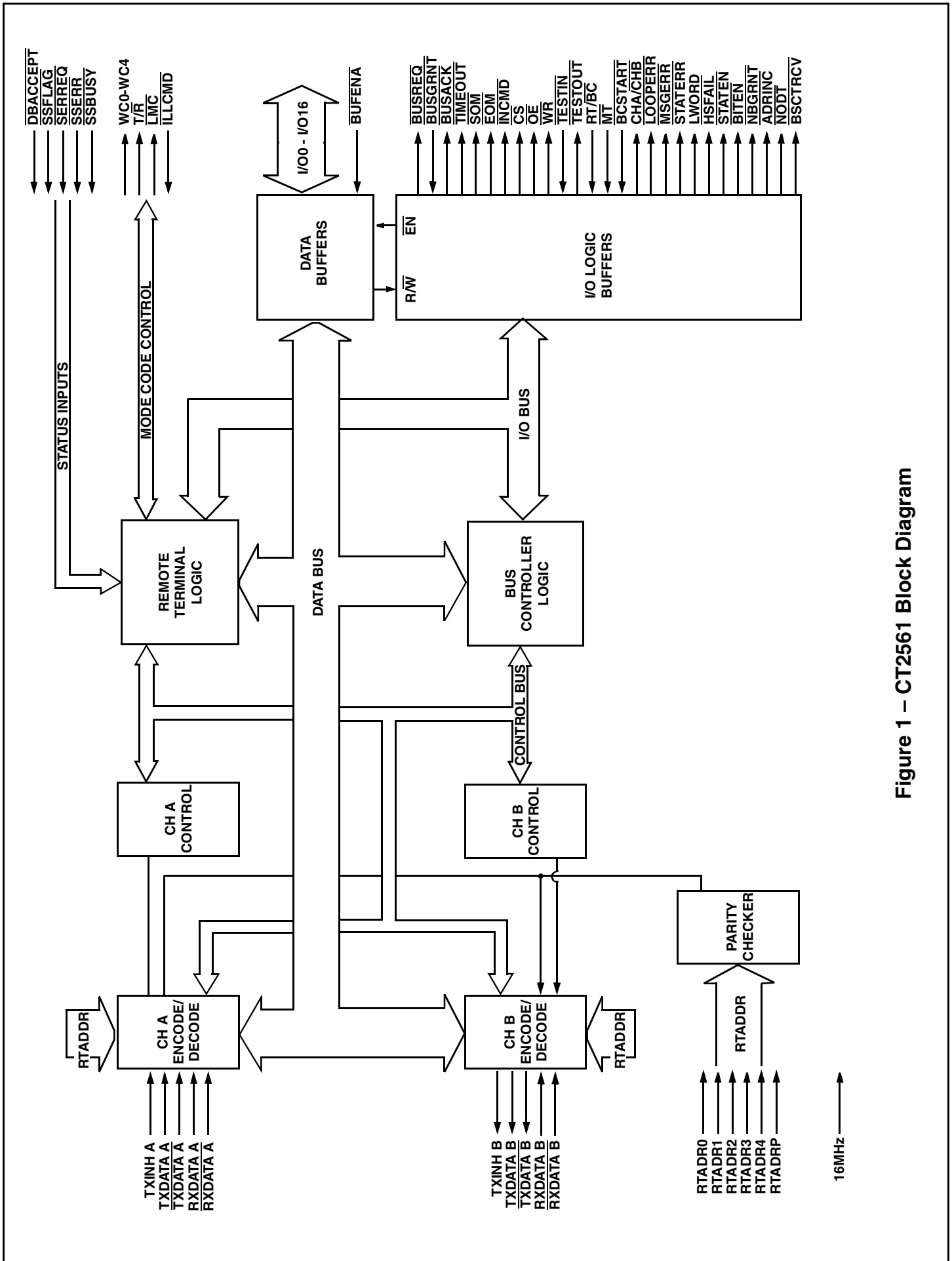


Figure 1 – CT2561 Block Diagram

**Table 1A – Pin Function Table (78 Pin Plug-In)**

Pin #	Symbol	I/O	Description
1	RT/BC	I	Mode Select input - logic "1" for RT mode, logic "0" for BC mode.
2	MT	I	Monitor mode enable. When unit is operating as a BC, a logic "0" will select monitor mode.
3	STATEN	O	Output signal in RT mode that indicates status word is being transferred on the internal bus.
4	TIMEOUT	O	Indicates No Response Timeout has occurred during BC and RTU (RT to RT transfer).
5	HSFAIL	O	Output in RT mode indicating the DMA transfer did not occur in time to allow proper operation on the 1553 bus.
6	DBACCEPT	I	Input signal used to set DBACCEPT bit in status register for response to a valid mode command on the 1553 bus.
7	SSFLAG	I	Input which controls the SSFLAG bit in the status register.
8	SVCREQ	I	Input which controls the service request bit in the status word.
9	INCMD	O	Output signal indicating the RT is currently in a message transfer sequence.
10	SSER	I	Input which controls the subsystem error bit in the status register.
11	TESTOUT	-	Factory test point. Do not connect.
12	WC1	O	WC bit 1 - latched output of command word.
13	WC3	O	WC bit 3 - latched output of command word.
14	TXINH B	O	Transmitter inhibit output for channel B.
15	T/R	O	Output indicating T/R bit of current command word in RT mode.
16	CHA/CHB	O	Output indicating current selected channel (0 = Channel A).
17	CS	O	Chip Select output for subsystem memory control.
18	OE	O	Output Enable output for subsystem memory control.
19	BUSREQ	O	Output signal used to initiate transfer to/from subsystem.
20	+5V	I	+5 Volt DC input.
21	DB0(LSB)	I/O	Least significant bit - 16 bit parallel data bus.
22	DB2	I/O	Bit 2 of data bus.
23	DB4	I/O	Bit 4 of data bus.
24	DB6	I/O	Bit 6 of data bus.
25	DB8	I/O	Bit 8 of data bus.
26	DB10	I/O	Bit 10 of data bus.
27	DB12	I/O	Bit 12 of data bus.
28	DB14	I/O	Bit 14 of data bus.

**Table 1A – Pin Function Table (78 Pin Plug-In) (continued)**

Pin #	Symbol	I/O	Description
29	LWORD	-	Last word output during BC mode indicates last data word of the current message transfer has been transferred on the parallel bus.
30	$\overline{\text{MSGERR}}$	O	Output signal which indicates an error occurred during the current message sequence.
31	TXDATA A	O	Bipolar serial data output to positive input of bus transceiver.
32	$\overline{\text{RXDATA A}}$	I	Bipolar serial input from negative output of bus transceiver.
33	RTADP	I	Parity bit input for RT address.
34	RTAD1	I	Bit 1 of RT address input.
35	RTAD3	I	Bit 3 of RT address input.
36	$\overline{\text{RESET}}$	I	System reset input - resets all inputs in module.
37	$\overline{\text{TXDATA B}}$	O	Bipolar serial data output to negative input bus transceiver.
38	RXDATA B	I	Bipolar serial data input from positive output of bus transceiver.
39	16MHz	I	16MHz TTL clock input.
40	GROUND	-	Signal ground.
41	$\overline{\text{BCSTART}}$	I	Cycle enable input Logic "0" initiates bus controller message transfer operation.
42	$\overline{\text{NBGRNT}}$	O	New bus grant output from RT indicates beginning of message transfer sequence.
43	$\overline{\text{BITEN}}$	O	Built in Test enable output indicates RT is transferring BIT word on internal 16 bit bus.
44	$\overline{\text{WR}}$	O	Write enable output for control of subsystem memory.
45	$\overline{\text{BUSGRNT}}$	I	Bus request input in response to DTREQ. Allows $\overline{\text{BC/RT}}$ to transfer data to subsystem.
46	$\overline{\text{LOOPERR}}$	O	Loop error output. Logic "0" indicates failure of loop back transmitted data.
47	$\overline{\text{SSBUSY}}$	I	Subsystem busy input for RT status word.
48	$\overline{\text{ILLCMD}}$	I	Illegal command input to RT, used to block RT response to an illegal command.
49	$\overline{\text{ADRINC}}$	O	Increment output pulse. Goes LOW at the completion of each word transfer to/from subsystem. Can increment external address counter.
50	CHASSIS	-	Frame ground electricity isolated from signal ground
51	WC0	O	LSB of current command word count field.
52	WC2	O	Bit 2 of word count field.
53	WC4	O	Bit 4 of word count field.
54	TXINH A	O	Transmitter inhibit output signal for Channel A.
55	LMC	O	Latched Mode Command. Logic "1" indicates current word command is a mode code word, WC0-WC4.
56	$\overline{\text{TESTIN}}$	-	Factory test point. Do not connect.

**Table 1A – Pin Function Table (78 Pin Plug-In) (continued)**

Pin #	Symbol	I/O	Description
57	$\overline{EOM}$	O	End of message output. Logic "0" occurs when BC/ $\overline{RT}$ message is completed.
58	$\overline{BUFENA}$	I	Buffer enable input, may be driven LOW by $\overline{STATEN}$ or $\overline{BITEN}$ if subsystem must read bit or Status words. Enables internal 16 bit bus onto subsystem bus.
59	$\overline{BUSACK}$	O	Bus acknowledge output. LOW during DMA Handshake, in response to $\overline{BUSGRNT}$ .
60	DB1	I/O	Bit 1 of 16 bit parallel bus.
61	DB3	I/O	Bit 3 of 16 bit parallel bus.
62	DB5	I/O	Bit 5 of 16 bit parallel bus.
63	DB7	I/O	Bit 7 of 16 bit parallel bus.
64	DB9	I/O	Bit 9 of 16 bit parallel bus.
65	DB11	I/O	Bit 11 of 16 bit parallel bus.
66	DB13	I/O	Bit 13 of 16 bit parallel bus.
67	DB15(MSB)	I/O	Bit 15 of 16 bit parallel bus.
68	$\overline{STATERR}$	O	BC output indicates one or more bits set or address mismatch in a received status word.
69	$\overline{TXDATA A}$	O	Bipolar serial data output to negative input of bus transceiver.
70	RXDATA A	I	Bipolar serial data input from positive output of bus transceiver.
71	$\overline{NODT}$	O	No data input. Logic "0" indicates the 1553 bus is idle; HIGH means device front end is active.
72	RTAD0	I	LSB of 5 bit RT address.
73	RTAD2	I	Bit 2 of RT address.
74	RTAD4	I	Bit 4 of RT address.
75	$\overline{BCSTRCV}$	O	Broadcast receive. Logic "0" means the current command was a broadcast command.
76	TXDATA B	O	Bipolar serial output to positive input of bus transceiver.
77	$\overline{RXDATA B}$	I	Bipolar serial input from negative output of bus transceiver.
78	$\overline{SOM}$	O	Start of message output indicates beginning of RT/ $\overline{BC}$ message transfer sequence.

**Table 1B – CT2561 Pin Out Description  
(Plug-In)**

1	RT/BC	DB0	21
41	BCSTART	DB1	60
2	MT	DB2	22
42	NBGRNT	DB3	61
3	STATEN	DB4	23
43	BITEN	DB5	62
4	TIMEOUT	DB6	24
44	WR	DB7	63
5	HSFAIL	DB8	25
45	BUSGRNT	DB9	64
6	DBACCEPT	DB10	26
46	LOOPERR	DB11	65
7	SSFLAG	DB12	27
47	SSBUSY	DB13	66
8	SVCREQ	DB14	28
48	ILLCMD	DB15 (MSB)	67
9	INCMD	LWORD	29
49	ADRINC	STATERR	68
10	SSER	MSGERR	30
50	CASE GND	TXDATA A	69
11	TESTOUT	TXDATA A	31
51	WC0	RXDATA A	70
12	WC1	RXDATA A	32
52	WC2	NODT	71
13	WC3	RTADP	33
53	WC4	RTAD0	72
14	TXINH B	RTAD1	34
54	TXINH A	RTAD2	73
15	T/R	RTAD3	35
55	LMC	RTAD4	74
16	CHB/CHA	RESET	36
56	TESTIN	BCSTRCV	75
17	CS	TXDATA B	37
57	EOM	TXDATA B	76
18	OE	RXDATA B	38
58	BUFENA	RXDATA B	77
19	BUSREQ	16MHz	39
59	BUSACK	SOM	78
20	+5 Volt	GND	40

**CT2561**  
**MIL-STD-1553**  
**BUS Controller,**  
**Remote Terminal and**  
**BUS MONITOR**

Pin #	Function	Pin #	Function
1	RT/BC	40	GND
2	MT	41	BCSTART
3	STATEN	42	NBGRNT
4	TIMEOUT	43	BITEN
5	HSFAIL	44	WR
6	DBACCEPT	45	BUSGRNT
7	SSFLAG	46	LOOPERR
8	SVCREQ	47	SSBUSY
9	INCMD	48	ILLCMD
10	SSER	49	ADRINC
11	TESTOUT	50	CASE GND
12	WC1	51	WC0
13	WC3	52	WC2
14	TXINH B	53	WC4
15	T/R	54	TXINH A
16	CHB/CHA	55	LMC
17	CS	56	TESTIN
18	OE	57	EOM
19	BUSREQ	58	BUFENA
20	+ 5 Volt	59	BUSACK
21	DB0 (LSB)	60	DB1
22	DB2	61	DB3
23	DB4	62	DB5
24	DB6	63	DB7
25	DB8	64	DB9
26	DB10	65	DB11
27	DB12	66	DB13
28	DB14	67	DB15 (MSB)
29	LWORD	68	STATERR
30	MSGERR	69	TXDATA A
31	TXDATA A	70	RXDATA A
32	RXDATA A	71	NODT
33	RTADP	72	RTAD0
34	RTAD1	73	RTAD2
35	RTAD3	74	RTAD4
36	RESET	75	BCSTRCV
37	TXDATA B	76	TXDATA B
38	RXDATA B	77	RXDATA B
39	16MHz	78	SOM

**Plug-In Pin Connection Diagram, CT2561 and Pinout**

**Table 2 – CT2561 Pin Out Description (FP)**

1	N/C		N/C	82
2	RT/BC		DB0 (LSB)	81
3	BCSTART		DB1	80
4	MT		DB2	79
5	NBGRNT		DB3	78
6	STATEN		DB4	77
7	BITEN		DB5	76
8	TIMEOUT		DB6	75
9	WR		DB7	74
10	HSFAIL		DB8	73
11	BUSGRNT		DB9	72
12	DBACCEPT		DB10	71
13	LOOPERR		DB11	70
14	SSFLAG		DB12	69
15	SSBUSY		DB13	68
16	SVCREQ		DB14	67
17	ILLCMD		DB15 (MSB)	66
18	INCMD		LWORD	65
19	ADRINC		STATERR	64
20	SSER		MSGERR	63
21	CASE GND		TXDATA A	62
22	TESTOUT		TXDATA A	61
23	WC0		RXDATA A	60
24	WC1		RXDATA A	59
25	WC2		NODT	58
26	WC3		RTADP	57
27	WC4		RTAD0	56
28	TXINH B		RTAD1	55
29	TXINH A		RTAD2	54
30	T/R		RTAD3	53
31	LMC		RTAD4	52
32	CHB/CHA		RESET	51
33	TESTIN		BCSTRCV	50
34	CS		TXDATA B	49
35	EOM		TXDATA B	48
36	OE		RXDATA B	47
37	BUFENA		RXDATA B	46
38	BUSREQ		16MHz	45
39	BUSACK		SOM	44
40	+5V		GROUND	43
41	N/C		N/C	42

## CT2561FP

**MIL-STD-1553  
BUS Controller,  
Remote Terminal and  
BUS MONITOR**

Pin #	Function	Pin #	Function
1	N/C	42	N/C
2	RT/BC	43	GROUND
3	BCSTART	44	SOM
4	MT	45	16MHz
5	NBGRNT	46	RXDATA B
6	STATEN	47	RXDATA B
7	BITEN	48	TXDATA B
8	TIMEOUT	49	TXDATA B
9	WR	50	BCSTRCV
10	HSFAIL	51	RESET
11	BUSGRNT	52	RTAD4
12	DBACCEPT	53	RTAD3
13	LOOPERR	54	RTAD2
14	SSFLAG	55	RTAD1
15	SSBUSY	56	RTAD0
16	SVCREQ	57	RTADP
17	ILLCMD	58	NODT
18	INCMD	59	RXDATA A
19	ADRINC	60	RXDATA A
20	SSER	61	TXDATA A
21	CASE GND	62	TXDATA A
22	TESTOUT	63	MSGERR
23	WC0	64	STATERR
24	WC1	65	LWORD
25	WC2	66	DB15 (MSB)
26	WC2	67	DB14
27	WC4	68	DB13
28	TXINH B	69	DB12
29	TXINH A	70	DB11
30	T/R	71	DB10
31	LMC	72	DB9
32	CHB/CHA	73	DB8
33	TESTIN	74	DB7
34	CS	75	DB6
35	EOM	76	DB5
36	OE	77	DB4
37	BUFENA	78	DB3
38	BUSREQ	79	DB2
39	BUSACK	80	DB1
40	+5V	81	DB0 (LSB)
41	N/C	82	N/C

**Flat Package Pin Connection Diagram, CT2561 and Pinout**







### Ordering Information

Model Number	Screening	Package
CT2561	Military Temperature, -55°C to +125°C, Screened to the individual test methods of MIL-STD-883	Plug in
CT2561-FP		Flat Package

Specifications subject to change without notice

**Aeroflex Circuit Technology**  
**35 South Service Road**  
**Plainview New York 11803**  
**[www.aeroflex.com/act1.htm](http://www.aeroflex.com/act1.htm)**

**Telephone: (516) 694-6700**  
**FAX: (516) 694-6715**  
**Toll Free Inquiries: (800) THE-1553**  
**E-Mail: [sales-act@aeroflex.com](mailto:sales-act@aeroflex.com)**