

ACT8500

Radiation Hardened & ESD Protected 64-Channel Analog Multiplexer Module

Features

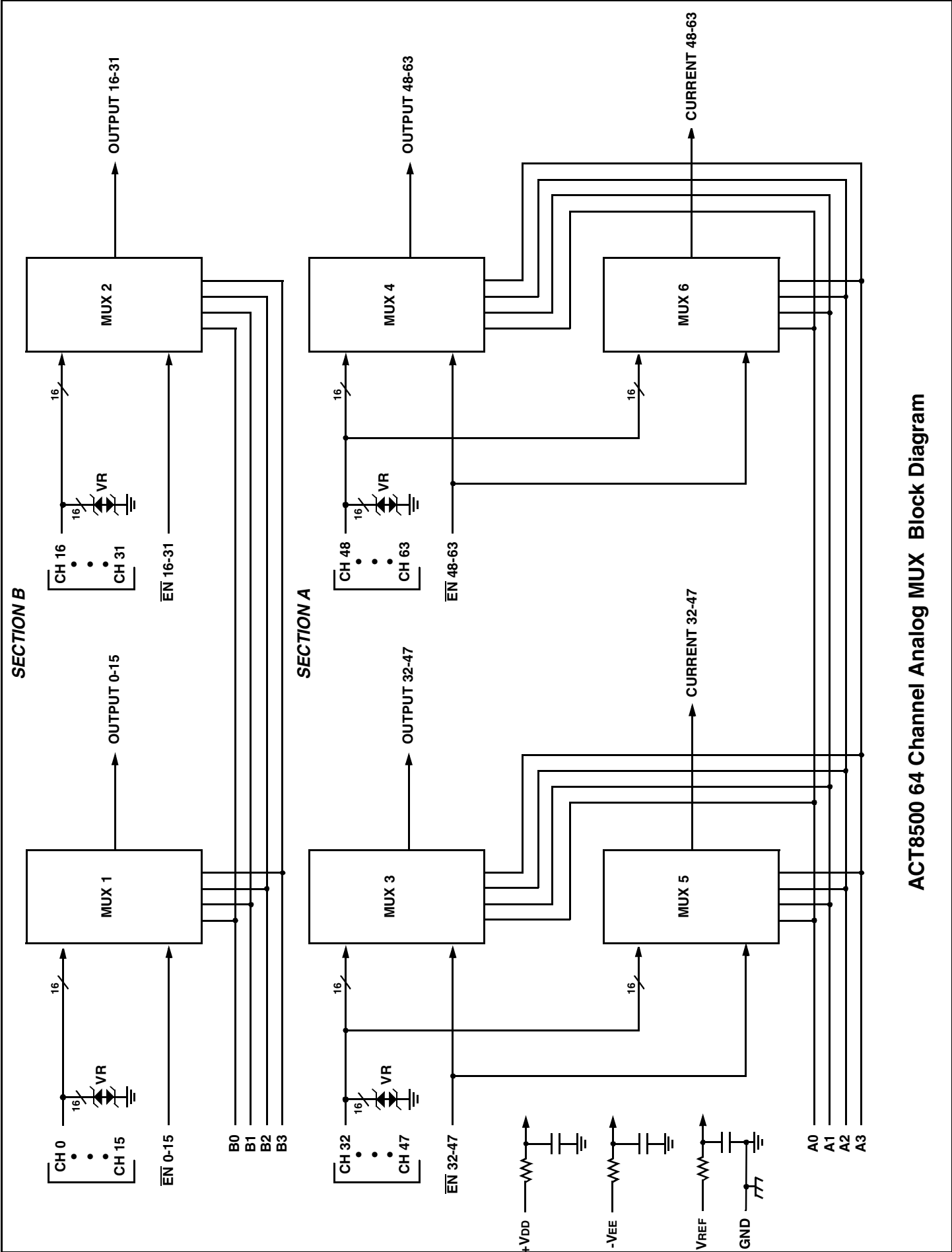
- **Radiation Environment**
 - Radiation 300K(Si) Total Dose
 - No Latch-Up or SEE to 120MeV/cm²/mg
- **Full Military Temperature Range**
- **MIL-PRF-38534 Class K Screening for Space Applications**
- **Low Power Consumption < 90mW**
- **64 Channels Provided by Six (6) HS-1840RH Multiplexers**
- **Two Address Busses (A0-3 & B0-3), and Four Enable lines afford flexible organization**
- **All Channel Inputs protected by ±20V Transorbs**
- **Fast Access Time 1500ns**
- **±35V Input Over Voltage Protection (Power On or Off)**
- **Break-Before-Make Switching**
- **High Analog Input Impedance (Power On or Off)**
- **Dielectrically Isolated Device Islands**
- **No Latch-Up**
- **Packaging – Hermetic Ceramic Quad Flat Pack**
 - 96 Leads, 1.32" Sq x .20" Ht Quad Flat Pack
 - Typical Weight 15 grams
- **DESC SMD 5962-00502 (Pending)**



General Description

Aeroflex's ACT8500 is a radiation hardened, multi-chip 64 channel multiplexer MCM (multi-chip module) with ESD protection for use in space applications. It is designed to provide a high input impedance to the analog source power on or off, or the analog signal voltage inadvertently exceeds the supply rails during powered operation. All channel inputs have electrostatic discharge protection.

The ACT8500 has been specifically designed to meet exposure to radiation environments. It is available in a 96 lead High Temperature Co-Fired Ceramic (HTCC) Quad Flatpack (QFP). It is guaranteed operational from -55°C to +125°C. Available screened in accordance with the individual test methods of MIL-STD-883, the ACT8500 is ideal for demanding military and space applications.



ACT8500 64 Channel Analog MUX Block Diagram

Organization and Application

The ACT8500 consists of six 16 channel muxes arranged as shown in the Block Diagram. The ACT8501 design is inherently Radiation Hard due to the HS1840RH Multiplexers as well as Microsemi Corp. Transient Suppressors (Reference Microsemi MicroNotes Series 050 - page 14).

A Section

32 channels addressable by Bus $A_0 \sim A_3$, in two 16 channel blocks, each block enabled separately. Each block connects the addressed channel to two outputs, "Output" and "Current". This technique enables selecting and reading a remote resistive sensor without the MUX resistance being part of the measurement. For grounded sensors, this is done by passing current to the sensor by means of the "Current" pin and reading the resultant voltage (proportional to the sensor resistance) at the "Output" pin.

B Section

32 channels addressable by Bus $B_0 \sim B_3$, in two 16 channel blocks, each block enabled separately. Each block connects the addressed channel to one output.

By paralleling the channel inputs and enables, this section can be converted to act like one of the 16 channel blocks of the A section.

NOTE: It is recommended that all "NC" or "no connect pin", be grounded. This eliminates or minimizes any ESD or static buildup.

Absolute Maximum Ratings ^{1/}

Parameter	Range	Units
Case Operating Temperature Range	-55 to +125	°C
Storage Temperature Range	-55 to +150	°C
Supply Voltage +VCC (Pin 44) -VEE (Pin 46) VREF (Pin 48)	+20 -20 +20	V V V
Digital Input Overvoltage VEN (Pins 5, 6, 91, 92), VA (Pins 93, 95, 1, 3), VB (Pins 94, 96, 2, 4)	< VR +4 > GND -4	V V
Analog Input Over Voltage VS	±18	V

Notes:

^{1/} All measurements are made with respect to ground.

NOTICE: Stresses above those listed under "Absolute Maximums Rating" may cause permanent damage to the device. These are stress rating only; functional operation beyond the "Operation Conditions" is not recommended and extended exposure beyond the "Operation Conditions" may effect device reliability.

Recommended Operating Conditions

Symbol	Parameter	Typical	Units
+VCC	+15V Power Supply Voltage ^{1/}	+15.0	V
-VEE	-15V Power Supply Voltage ^{1/}	-15.0	V
VREF	Reference Voltage ^{1/}	+5.00	V
VAL	Logic Low Level	+0.8	V
VAH	Logic High Level	+4.0	V

^{1/} Power supply voltages must be applied simultaneously or with the +5V reference voltage first, then the ±15V voltage.

DC Electrical Performance Characteristics ^{1/}

(Tc = -55°C to +125°C, +VEE = +15V, -VEE = -15V, VREF = +5.0V, Unless otherwise specified)

Parameter	Symbol	Conditions	Min	Max	Units
Supply Current	I+	VEN(0-63) = VA(0-3)A = VA(0-3)B = 0	0.3	3	mA
	I-	VEN(0-63) = VA(0-3)A = VA(0-3)B = 0	-3	-0.3	mA
	+ISBY	VEN(0-63) = 4V, VA(0-3)A = VA(0-3)B = 0 ^{6/}	0.3	3	mA
	-ISBY	VEN(0-63) = 4V, VA(0-3)A = VA(0-3)B = 0 ^{6/}	-3	-0.3	mA
Address Input Current	I _{AL} (0-3)B	VA = 0V ^{1/}	-2	2	μA
	I _{AH} (0-3)B	VA = 5V ^{1/}	-2	2	μA
	I _{AL} (0-3)A	VA = 0V ^{1/}	-4	4	μA
	I _{AH} (0-3)A	VA = 5V ^{1/}	-4	4	μA
Enable Input Current	I _{ENL} (0-15)	VEN(0-15) = 0V	-1	1	μA
	I _{ENH} (0-15)	VEN(0-15) = 5V	-1	1	μA
	I _{ENL} (16-31)	VEN(16-31) = 0V	-1	1	μA
	I _{ENH} (16-31)	VEN(16-31) = 5V	-1	1	μA
	I _{ENL} (32-47)	VEN(32-47) = 0V	-2	2	μA
	I _{ENH} (32-47)	VEN(32-47) = 5V	-2	2	μA
	I _{ENL} (48-63)	VEN(48-63) = 0V	-2	2	μA
	I _{ENH} (48-63)	VEN(48-63) = 5V	-2	2	μA

DC Electrical Performance Characteristics 1/ (con't)

(Tc = -55°C to +125°C, +VEE = +15V, -VEE = -15V, VREF = +5.0V, Unless otherwise specified)

Parameter	Symbol	Conditions	Min	Max	Units	
Positive Input Leakage Current CH0-CH63	+ISOFFOUTPUT(ALL)	VIN = +10V, VEN = 4V, output and all unused MUX inputs under test = -10V 2/, 3/	-100	+700	nA	
	+ISOFFCURRENT(ALL)		-100	+700	nA	
Negative Input Leakage Current CH0-CH63	-ISOFFOUTPUT(ALL)	VIN = -10V, VEN = 4V, output and all unused MUX inputs under test = +10V 2/, 3/	-100	+700	nA	
	-ISOFFCURRENT(ALL)		-100	+700	nA	
Output Leakage Current OUTPUTS (pins 3,13, 23 & 33) CURRENTS (pins 67 & 69)	+IDOFFOUTPUT(ALL)	VOUT = +10V, VEN = 4V, output and all unused MUX inputs under test = -10V 3/, 4/	-100	+100	nA	
	+IDOFFCURRENT(ALL)		-100	+100	nA	
Output Leakage Current OUTPUTS (pins 3,13, 23 & 33) CURRENTS (pins 67 & 69)	-IDOFFOUTPUT(ALL)	VOUT = -10V, VEN = 4V, output and all unused MUX inputs under test = +10V 3/, 4/	-100	+100	nA	
	-IDOFFCURRENT(ALL)		-100	+100	nA	
Input Clamped Voltage CH0 - CH63	+VCLMP(0-63)	VEN = 4V, all unused MUX inputs under test are open. 3/	+25°C	18.0	23.0	V
			+125°C	18.0	23.5	V
			-55°C	17.5	22.5	V
Input Clamped Voltage CH0 - CH63	-VCLMP(0-63)		+25°C	-23.0	-18.0	V
			+125°C	-23.5	-18.0	V
			-55°C	-22.5	-17.5	V
Switch ON Resistance OUTPUTS (pins 25, 26, 68 & 70)	RDS(ON)(0-63) _A	VIN = +15V, VEN = 0.8V, IOUT = -1mA 2/, 3/, 5/	500	3000	Ω	
	RDS(ON)(0-63) _B	VIN = +5V, VEN = 0.8V, IOUT = -1mA 2/, 3/, 5/	500	3000	Ω	
	RDS(ON)(0-63) _C	VIN = -5V, VEN = 0.8V, IOUT = +1mA 2/, 3/, 5/	500	3000	Ω	
Switch ON Resistance CURRENTS (pins 67 & 69)	RDS(ON)(32-63) _A	VIN = +15V, VEN = 0.8V, IOUT = -1mA 2/, 3/, 5/	500	3000	Ω	
	RDS(ON)(32-63) _B	VIN = +5V, VEN = 0.8V, IOUT = -1mA 2/, 3/, 5/	500	3000	Ω	
	RDS(ON)(32-63) _C	VIN = -5V, VEN = 0.8V, IOUT = +1mA 2/, 3/, 5/	500	3000	Ω	

Notes:

- 1/ Measure inputs sequentially. Ground all unused inputs of the MUX under test. VA is the applied input voltage to the MUXes' address lines A(0-3). VB is the applied input voltage to the MUXes' address lines B(0-3).
- 2/ VIN is the applied input voltage to the MUXes' input channel CH0-CH63.
- 3/ VEN is the applied input voltage to the MUXes' enable line En(0-15), En(16-31), En(32-47) and En(48-63).
- 4/ VOUT is the applied input voltage to the MUXes' output line OUTPUT(1-15), OUTPUT(16-31), OUTPUT(32-47), OUTPUT(48-63), CURRENT(32-47) and CURRENT(48-63).
- 5/ Negative current is the current flowing out of each of the MUX pins. Positive current is the current flowing into each MUX pin.
- 6/ If not tested, shall be guaranteed to the specified limits.

Switching Characteristics

(Tc = -55°C to +125°C, VDD = +15V, VEE = -15V, VR = +5.0V, Unless otherwise specified)

Parameter	Symbol	Conditions	Min	Max	Units
Switching Test MUX	t _{ONA}	RL = 10KΩ, CL = 50pF	10	1500	ns
	t _{OFFA}		10	2000	ns
	t _{ONEN}	RL = 1KΩ, CL = 50pF	10	1500	ns
	t _{OFFEN}		10	1000	ns

Truth Table (CH0 – CH15)

B3	B2	B1	B0	EN(0-15)	"ON" CHANNEL 1/
X	X	X	X	H	NONE
L	L	L	L	L	CH0
L	L	L	H	L	CH1
L	L	H	L	L	CH2
L	L	H	H	L	CH3
L	H	L	L	L	CH4
L	H	L	H	L	CH5
L	H	H	L	L	CH6
L	H	H	H	L	CH7
H	L	L	L	L	CH8
H	L	L	H	L	CH9
H	L	H	L	L	CH10
H	L	H	H	L	CH11
H	H	L	L	L	CH12
H	H	L	H	L	CH13
H	H	H	L	L	CH14
H	H	H	H	L	CH15

1/ Between CH0-15 and OUTPUT (0-15)

Truth Table (CH16 – CH31)

B3	B2	B1	B0	EN(16-31)	"ON" CHANNEL 1/
X	X	X	X	H	NONE
L	L	L	L	L	CH16
L	L	L	H	L	CH17
L	L	H	L	L	CH18
L	L	H	H	L	CH19
L	H	L	L	L	CH20
L	H	L	H	L	CH21
L	H	H	L	L	CH22
L	H	H	H	L	CH23
H	L	L	L	L	CH24
H	L	L	H	L	CH25
H	L	H	L	L	CH26
H	L	H	H	L	CH27
H	H	L	L	L	CH28
H	H	L	H	L	CH29
H	H	H	L	L	CH30
H	H	H	H	L	CH31

1/ Between CH16-31 and OUTPUT (16-31)

Truth Table (CH32 – CH47)

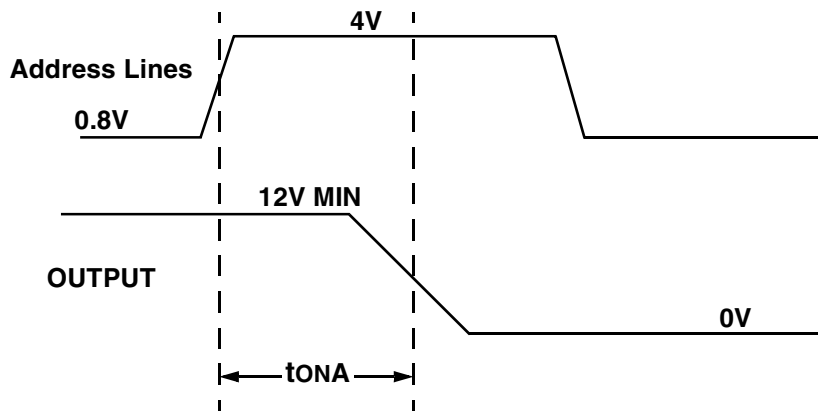
A3	A2	A1	A0	EN(32-47)	"ON" CHANNEL 1/
X	X	X	X	H	NONE
L	L	L	L	L	CH32
L	L	L	H	L	CH33
L	L	H	L	L	CH34
L	L	H	H	L	CH35
L	H	L	L	L	CH36
L	H	L	H	L	CH37
L	H	H	L	L	CH38
L	H	H	H	L	CH39
H	L	L	L	L	CH40
H	L	L	H	L	CH41
H	L	H	L	L	CH42
H	L	H	H	L	CH43
H	H	L	L	L	CH44
H	H	L	H	L	CH45
H	H	H	L	L	CH46
H	H	H	H	L	CH47

1/ Between CH32-47 and OUTPUT (32-47) and CURRENT (32-47)

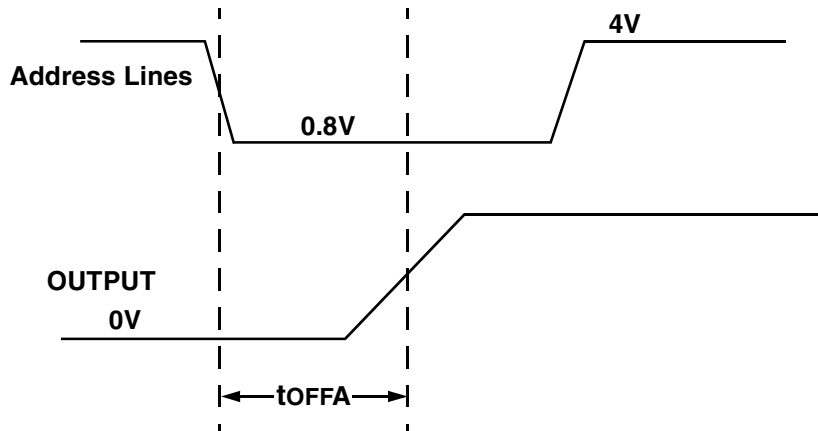
Truth Table (CH48 – CH63)

A3	A2	A1	A0	EN(47-63)	"ON" CHANNEL 1/
X	X	X	X	H	NONE
L	L	L	L	L	CH48
L	L	L	H	L	CH49
L	L	H	L	L	CH50
L	L	H	H	L	CH51
L	H	L	L	L	CH52
L	H	L	H	L	CH53
L	H	H	L	L	CH54
L	H	H	H	L	CH55
H	L	L	L	L	CH56
H	L	L	H	L	CH57
H	L	H	L	L	CH58
H	L	H	H	L	CH59
H	H	L	L	L	CH60
H	H	L	H	L	CH61
H	H	H	L	L	CH62
H	H	H	H	L	CH63

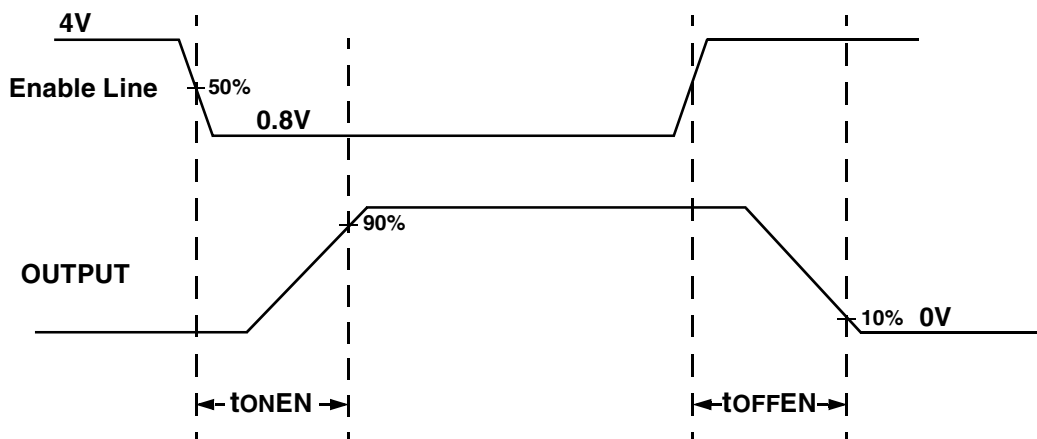
1/ Between CH48-63 and OUTPUT (48-63) and CURRENT (48-63)



Definition of tONA



Definition of toFFA



Definition of tONEN and toFFEN

Lead Numbers & Functions

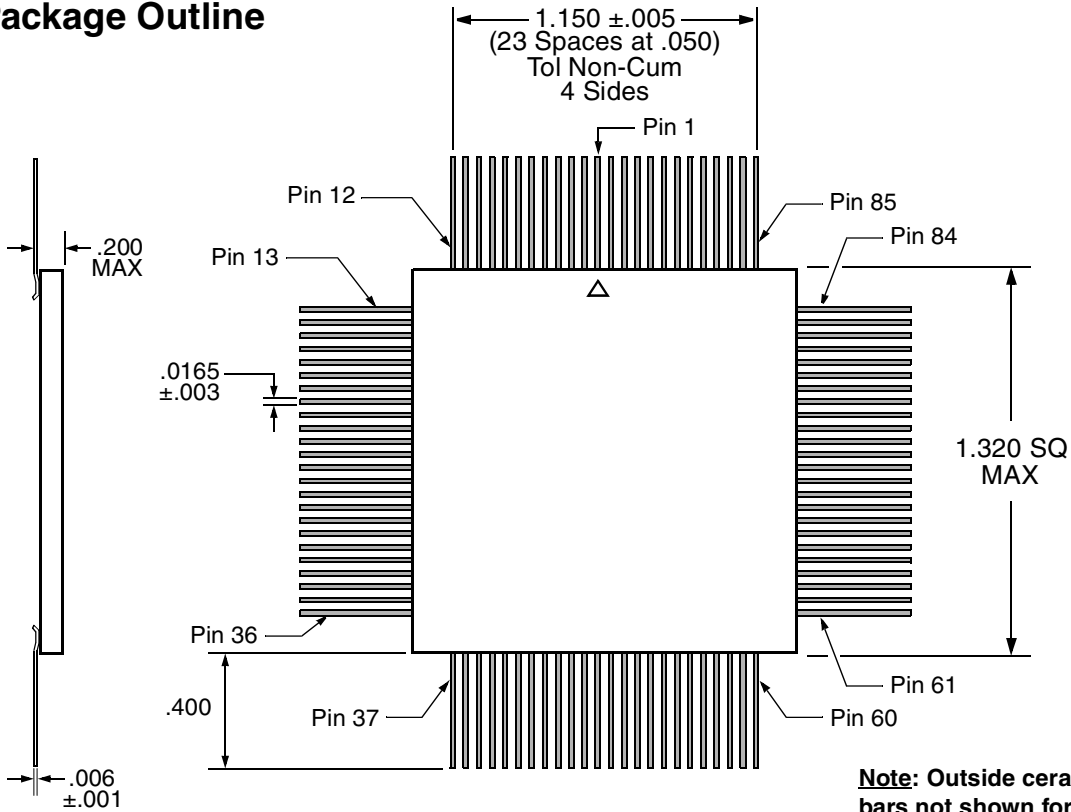
ACT8500 – 96 Leads Ceramic QUAD Flat Pack					
Pin #	Function	Pin #	Function	Pin #	Function
1	A2	33	CH11	65	CH49
2	B2	34	CH27	66	CH48
3	A3	35	CH12	67	Output I(48-63)
4	B3	36	CH28	68	Output V(48-63)
5	\overline{EN} 0-15	37	CH13	69	Output I(32-47)
6	\overline{EN} 16-31	38	CH29	70	Output V(32-47)
7	CH0	39	CH14	71	GND
8	CH16	40	CH30	72	GND
9	CH1	41	CH15	73	CH47
10	CH17	42	CH31	74	CH46
11	CH2	43	NC	75	CH45
12	CH18	44	+VCC	76	CH44
13	CH3	45	NC	77	CH43
14	CH19	46	-VEE	78	CH42
15	CH4	47	NC	79	CH41
16	CH20	48	VREF	80	CH40
17	CH5	49	NC	81	CH39
18	CH21	50	CASE GND	82	CH38
19	CH6	51	CH63	83	CH37
20	CH22	52	CH62	84	CH36
21	CH7	53	CH61	85	CH35
22	CH23	54	CH60	86	CH34
23	GND	55	CH59	87	CH33
24	GND	56	CH58	88	CH32
25	Output V(0-15)	57	CH57	89	GND
26	Output V(16-31)	58	CH56	90	GND
27	CH8	59	CH55	91	\overline{EN} 48-63
28	CH24	60	CH54	92	\overline{EN} 32-47
29	CH9	61	CH53	93	A0
30	CH25	62	CH52	94	B0
31	CH10	63	CH51	95	A1
32	CH26	64	CH50	96	B1

NOTE: It is recommended that all "NC" or "no connect pin", be grounded. This eliminates or minimizes any ESD or static buildup.

Ordering Information

Model Number	Screening	DESC SMD #	Package
ACT8500-S	Military Temperature, -55°C to +125°C, Screened to the individual test methods of MIL-STD-883 IAW MIL-PRF-38534 Class K	5962F0050201KXC Pending	QUAD Flat Pack
ACT8500	Military Temperature, -55°C to +125°C, Screened to the individual test methods of MIL-STD-883 IAW MIL-PRF-38534 Class H	5962-0050201HXC Pending	
ACT8500-7	Commercial Flow, +25°C testing only	NA	
ACT8500-T	Commercial Flow, -55°C to +125°C testing only		
ACT8500-I	Commercial Flow, -40°C to +85°C testing only		
ACT8500-C	Commercial Flow, -0°C to +70°C testing only		

Flat Package Outline



Note: Outside ceramic tie bars not shown for clarity. Contact factory for details

Specifications subject to change without notice

Aeroflex Circuit Technology
35 South Service Road
Plainview New York 11803
www.aeroflex.com

Telephone: (516) 694-6700
FAX: (516) 694-6715
Toll Free Inquiries: (800) THE-1553
E-Mail: sales-act@aeroflex.com