



Low Cost, Low Power, True RMS-to-DC Converter

AD737*

FEATURES

COMPUTES

- True RMS Value
- Average Rectified Value
- Absolute Value

PROVIDES

- 200 mV Full-Scale Input Range
(Larger Inputs with Input Attenuator)
 - Direct Interfacing with 3 1/2 Digit
CMOS A/D Converters
 - High Input Impedance of $10^{12} \Omega$
 - Low Input Bias Current: 25 pA max
 - High Accuracy: $\pm 0.2 \text{ mV} \pm 0.3\%$ of Reading
 - RMS Conversion with Signal Crest Factors Up to 5
 - Wide Power Supply Range: +2.8 V, -3.2 V to $\pm 16.5 \text{ V}$
 - Low Power: 160 μA max Supply Current
 - No External Trims Needed for Specified Accuracy
- AD736—A General Purpose, Buffered Voltage
Output Version Also Available**

PRODUCT DESCRIPTION

The AD737 is a low power, precision, monolithic true rms-to-dc converter. It is laser trimmed to provide a maximum error of $\pm 0.2 \text{ mV} \pm 0.3\%$ of reading with sine-wave inputs. Furthermore, it maintains high accuracy while measuring a wide range of input waveforms, including variable duty cycle pulses and triac (phase) controlled sine waves. The low cost and small physical size of this converter make it suitable for upgrading the performance of non-rms "precision rectifiers" in many applications. Compared to these circuits, the AD737 offers higher accuracy at equal or lower cost.

The AD737 can compute the rms value of both ac and dc input voltages. It can also be operated ac coupled by adding one external capacitor. In this mode, the AD737 can resolve input signal levels of 100 μV rms or less, despite variations in temperature or supply voltage. High accuracy is also maintained for input waveforms with crest factors of 1 to 3. In addition, crest factors as high as 5 can be measured (while introducing only 2.5% additional error) at the 200 mV full-scale input level.

The AD737 has no output buffer amplifier, thereby significantly reducing dc offset errors occurring at the output. This allows the device to be highly compatible with high input impedance A/D converters.

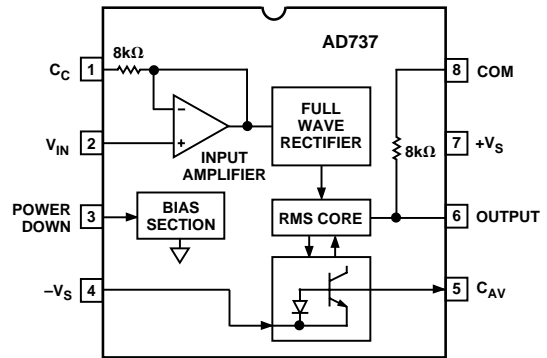
Requiring only 160 μA of power supply current, the AD737 is optimized for use in portable multimeters and other battery powered applications. This converter also provides a "power down" feature which reduces the power supply standby current to less than 30 μA .

*Protected under U.S. Patent Number 5,495,245.

REV. C

Information furnished by Analog Devices is believed to be accurate and reliable. However, no responsibility is assumed by Analog Devices for its use, nor for any infringements of patents or other rights of third parties which may result from its use. No license is granted by implication or otherwise under any patent or patent rights of Analog Devices.

FUNCTIONAL BLOCK DIAGRAM



The AD737 allows the choice of two signal input terminals: a high impedance ($10^{12} \Omega$) FET input which will directly interface with high Z input attenuators and a low impedance ($8 \text{ k}\Omega$) input which allows the measurement of 300 mV input levels, while operating from the minimum power supply voltage of +2.8 V, -3.2 V. The two inputs may be used either singly or differentially.

The AD737 achieves a 1% of reading error bandwidth exceeding 10 kHz for input amplitudes from 20 mV rms to 200 mV rms while consuming only 0.72 mW.

The AD737 is available in four performance grades. The AD737J and AD737K grades are rated over the commercial temperature range of 0°C to $+70^\circ\text{C}$. The AD737A and AD737B grades are rated over the industrial temperature range of -40°C to $+85^\circ\text{C}$.

The AD737 is available in three low-cost, 8-lead packages: plastic DIP, plastic SO and hermetic cerdip.

PRODUCT HIGHLIGHTS

1. The AD737 is capable of computing the average rectified value, absolute value or true rms value of various input signals.
2. Only one external component, an averaging capacitor, is required for the AD737 to perform true rms measurement.
3. The low power consumption of 0.72 mW makes the AD737 suitable for many battery powered applications.

One Technology Way, P.O. Box 9106, Norwood, MA 02062-9106, U.S.A.
Tel: 781/329-4700 World Wide Web Site: <http://www.analog.com>
Fax: 781/326-8703 © Analog Devices, Inc., 1999

AD737—SPECIFICATIONS (@ +25°C, ±5 V supplies, ac coupled with 1 kHz sine-wave input applied unless otherwise noted.)

Model	Conditions	AD737J/A			AD737K/B			Units
		Min	Typ	Max	Min	Typ	Max	
TRANSFER FUNCTION		$V_{OUT} = \sqrt{Avg.(V_{IN}^2)}$			$V_{OUT} = \sqrt{Avg.(V_{IN}^2)}$			
CONVERSION ACCURACY	1 kHz Sine Wave ac Coupled Using C_C							
Total Error, Internal Trim ¹ All Grades	0–200 mV rms 200 mV–1 V rms		0.2/0.3 –1.2	0.4/0.5 ±2.0		0.2/0.2 –1.2	0.2/0.3 ±2.0	±mV/±% of Reading % of Reading
T_{MIN} – T_{MAX} A&B Grades J&K Grades vs. Supply Voltage	@ 200 mV rms @ 200 mV rms			0.5/0.7			0.3/0.5	±mV/±% of Reading ±% of Reading/°C
@ 200 mV rms Input	$V_S = \pm 5 V$ to $\pm 16.5 V$	0	+0.06	+0.1	0	+0.06	+0.1	%/V
@ 200 mV rms Input	$V_S = \pm 5 V$ to $\pm 3 V$	0	–0.18	–0.3	0	–0.18	–0.3	%/V
dc Reversal Error, dc Coupled	@ 600 mV dc		1.3	2.5		1.3	2.5	% of Reading
Nonlinearity ² , 0–200 mV	@ 100 mV rms	0	+0.25	+0.35	0	+0.25	+0.35	% of Reading
Total Error, External Trim	0–200 mV rms		0.1/0.2			0.1/0.2		±mV/±% of Reading
ERROR vs. CREST FACTOR ³								
Crest Factor 1 to 3	$C_{AV}, C_F = 100 \mu F$		0.7			0.7		% Additional Error
Crest Factor = 5	$C_{AV}, C_F = 100 \mu F$		2.5			2.5		% Additional Error
INPUT CHARACTERISTICS								
High Impedance Input (Pin 2)								
Signal Range								
Continuous rms Level	$V_S = +2.8 V, -3.2 V$			200			200	mV rms
Continuous rms Level	$V_S = \pm 5 V$ to $\pm 16.5 V$			1			1	V rms
Peak Transient Input	$V_S = +2.8 V, -3.2 V$	±0.9			±0.9			V
Peak Transient Input	$V_S = \pm 5 V$		±2.7			±2.7		V
Peak Transient Input	$V_S = \pm 16.5 V$	±4.0			±4.0			V
Input Resistance			10 ¹²			10 ¹²		Ω
Input Bias Current	$V_S = \pm 5 V$		1	25		1	25	pA
Low Impedance Input (Pin 1)								
Signal Range								
Continuous rms Level	$V_S = +2.8 V, -3.2 V$			300			300	mV rms
Continuous rms Level	$V_S = \pm 5 V$ to $\pm 16.5 V$			1			1	V rms
Peak Transient Input	$V_S = +2.8 V, -3.2 V$		±1.7			±1.7		V
Peak Transient Input	$V_S = \pm 5 V$		±3.8			±3.8		V
Peak Transient Input	$V_S = \pm 16.5 V$		±11			±11		V
Input Resistance		6.4	8	9.6	6.4	8	9.6	kΩ
Maximum Continuous Nondestructive Input Input Offset Voltage ⁴	All Supply Voltages ac Coupled			±12			±12	V p-p
J&K Grades				±3			±3	mV
A&B Grades				±3			±3	mV
vs. Temperature			8	30		8	30	μV/°C
vs. Supply	$V_S = \pm 5 V$ to $\pm 16.5 V$		50	150		50	150	μV/V
vs. Supply	$V_S = \pm 5 V$ to $\pm 3 V$		80			80		μV/V
OUTPUT CHARACTERISTICS								
Output Voltage Swing								
No Load	$V_S = +2.8 V, -3.2 V$	0 to –1.6	–1.7		0 to –1.6	–1.7		V
No Load	$V_S = \pm 5 V$	0 to –3.3	–3.4		0 to –3.3	–3.4		V
No Load	$V_S = \pm 16.5 V$	0 to –4	–5		0 to –4	–5		V
Output Resistance	@ dc	6.4	8	9.6	6.4	8	9.6	kΩ
FREQUENCY RESPONSE								
High Impedance Input (Pin 2)								
For 1% Additional Error	Sine-Wave Input							
$V_{IN} = 1$ mV rms			1			1		kHz
$V_{IN} = 10$ mV rms			6			6		kHz
$V_{IN} = 100$ mV rms			37			37		kHz
$V_{IN} = 200$ mV rms			33			33		kHz
±3 dB Bandwidth	Sine-Wave Input							
$V_{IN} = 1$ mV rms			5			5		kHz
$V_{IN} = 10$ mV rms			55			55		kHz
$V_{IN} = 100$ mV rms			170			170		kHz
$V_{IN} = 200$ mV rms			190			190		kHz

Model	Conditions	AD737J/A			AD737K/B			Units
		Min	Typ	Max	Min	Typ	Max	
FREQUENCY RESPONSE								
Low Impedance Input (Pin 1) For 1% Additional Error $V_{IN} = 1$ mV rms $V_{IN} = 10$ mV rms $V_{IN} = 100$ mV rms $V_{IN} = 200$ mV rms ± 3 dB Bandwidth $V_{IN} = 1$ mV rms $V_{IN} = 10$ mV rms $V_{IN} = 100$ mV rms $V_{IN} = 200$ mV rms	Sine-Wave Input		1			1		kHz
			6		6		6	kHz
			90		90		90	kHz
			90		90		90	kHz
	Sine-Wave Input		5		5		5	kHz
			55		55		55	kHz
			350		350		350	kHz
			460		460		460	kHz
POWER SUPPLY								
Operating Voltage Range	Zero Signal Sine-Wave Input Pin 3 Tied to $+V_S$	+2.8, -3.2	± 5	± 16.5	+2.8, -3.2	± 5	± 16.5	V
Quiescent Current		120	160	120	160	μ A		
$V_{IN} = 200$ mV rms, No Load		170	210	170	210	μ A		
Power Down Mode Current		25	40	25	40	μ A		
TEMPERATURE RANGE								
Operating, Rated Performance								
Commercial (0°C to +70°C)			AD737J			AD737K		
Industrial (-40°C to +85°C)			AD737A			AD737B		

NOTES

¹Accuracy is specified with the AD737 connected as shown in Figure 16 with capacitor C_C .

²Nonlinearity is defined as the maximum deviation (in percent error) from a straight line connecting the readings at 0 and 200 mV rms.

³Error vs. Crest Factor is specified as additional error for a 200 mV rms signal. C.F. = V_{PEAK}/V_{RMS} .

⁴DC offset does not limit ac resolution.

Specifications are subject to change without notice.

Specifications shown in **boldface** are tested on all production units at final electrical test. Results from those tests are used to calculate outgoing quality levels.

ABSOLUTE MAXIMUM RATINGS¹

Supply Voltage ± 16.5 V

Internal Power Dissipation² 200 mW

Input Voltage

Output Short-Circuit Duration Indefinite

Differential Input Voltage $+V_S$ and $-V_S$

Storage Temperature Range (Q) -65°C to +150°C

Storage Temperature Range (N, R) -65°C to +125°C

Operating Temperature Range

AD737J/K 0°C to +70°C

AD737A/B -40°C to +85°C

Lead Temperature Range (Soldering 60 sec) +300°C

ESD Rating 500 V

NOTES

¹Stresses above those listed under Absolute Maximum Ratings may cause permanent damage to the device. This is a stress rating only; functional operation of the device at these or any other conditions above those indicated in the operational section of this specification is not implied. Exposure to absolute maximum rating conditions for extended periods may affect device reliability.

²8-Lead Plastic DIP Package: $\theta_{JA} = 165^\circ\text{C}/\text{W}$

8-Lead Cerdip Package: $\theta_{JA} = 110^\circ\text{C}/\text{W}$

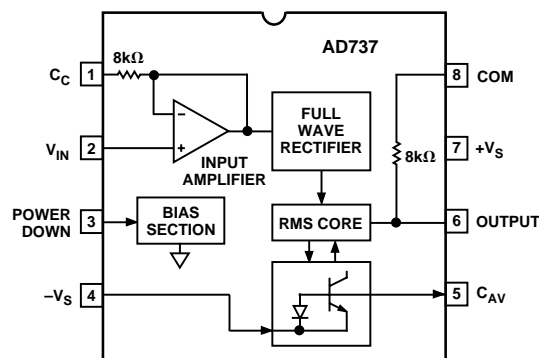
8-Lead Small Outline Package: $\theta_{JA} = 155^\circ\text{C}/\text{W}$

ORDERING GUIDE

Model	Temperature Range	Package Description	Package Option
AD737AQ	-40°C to +85°C	Cerdip	Q-8
AD737BQ	-40°C to +85°C	Cerdip	Q-8
AD737JN	0°C to +70°C	Plastic DIP	N-8
AD737JR	0°C to +70°C	SOIC	SO-8
AD737JR-REEL	0°C to +70°C	13" Tape and Reel	SO-8
AD737JR-REEL7	0°C to +70°C	7" Tape and Reel	SO-8
AD737KN	0°C to +70°C	Plastic DIP	N-8
AD737KR	0°C to +70°C	SOIC	SO-8
AD737KR-REEL	0°C to +70°C	13" Tape and Reel	SO-8
AD737KR-REEL7	0°C to +70°C	7" Tape and Reel	SO-8

PIN CONFIGURATIONS

Plastic DIP (N-8), Cerdip (Q-8), SOIC (SO-8)



AD737—Typical Characteristics

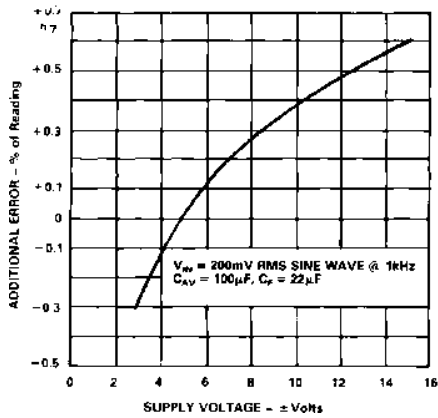


Figure 1. Additional Error vs. Supply Voltage

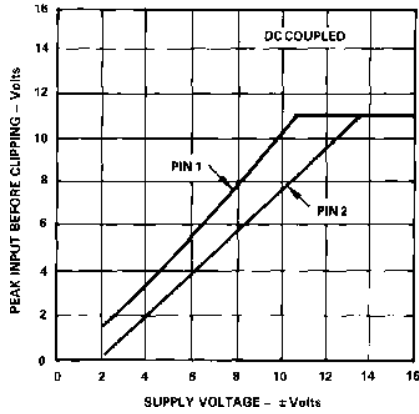


Figure 2. Maximum Input Level vs. Supply Voltage

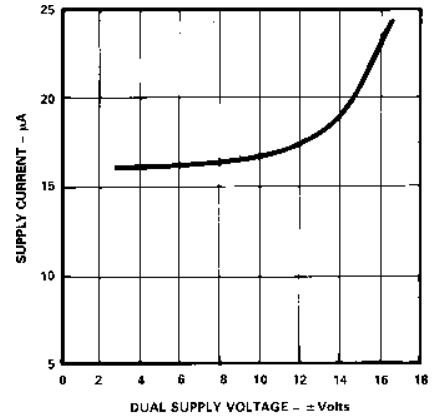


Figure 3. Power Down Current vs. Supply Voltage

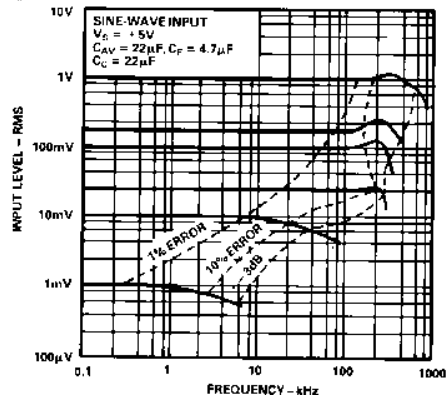


Figure 4. Frequency Response Driving Pin 1

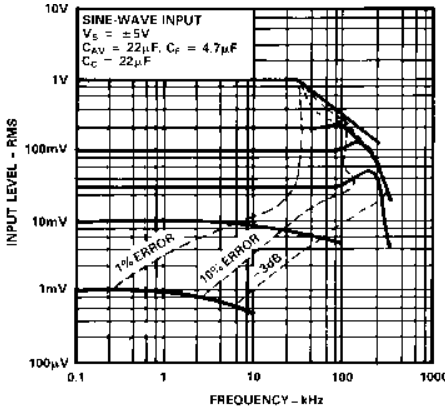


Figure 5. Frequency Response Driving Pin 2

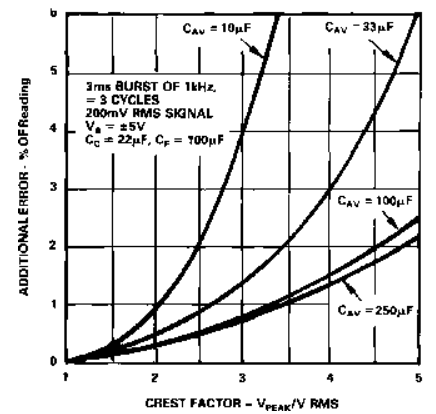


Figure 6. Additional Error vs. Crest Factor vs. C_{AV}

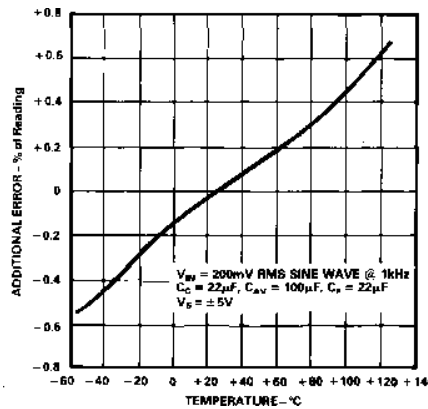


Figure 7. Additional Error vs. Temperature

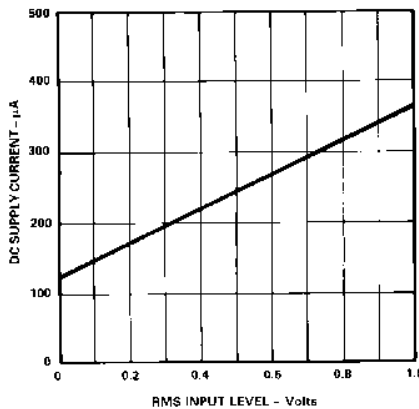


Figure 8. DC Supply Current vs. RMS Input Level

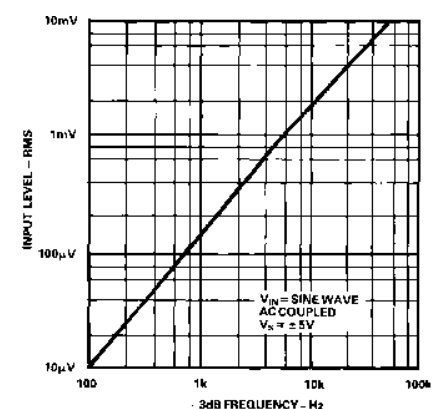


Figure 9. 23 dB Frequency vs. RMS Input Level (Pin 2)

Applying the AD737

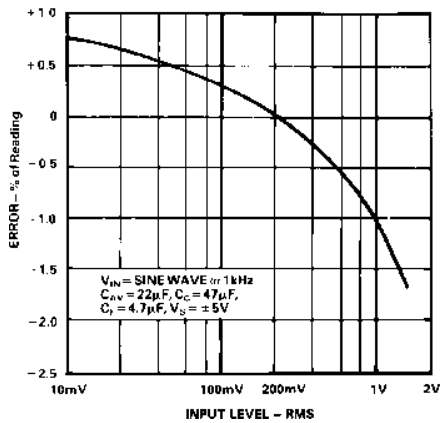


Figure 10. Error vs. RMS Input Voltage (Pin 2) Using Circuit of Figure 21

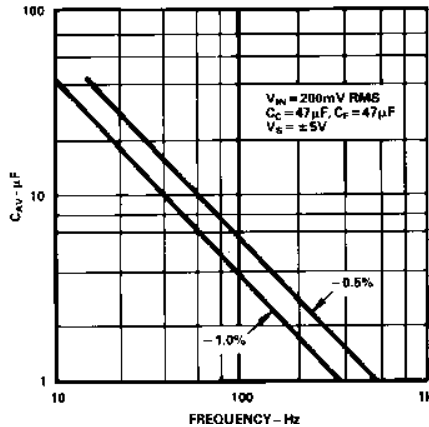


Figure 11. C_{AV} vs. Frequency for Specified Averaging Error

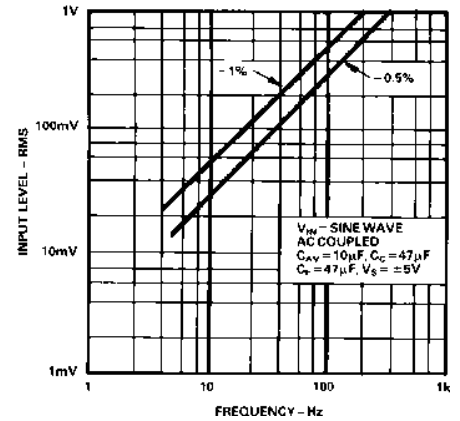


Figure 12. RMS Input Level vs. Frequency for Specified Averaging Error

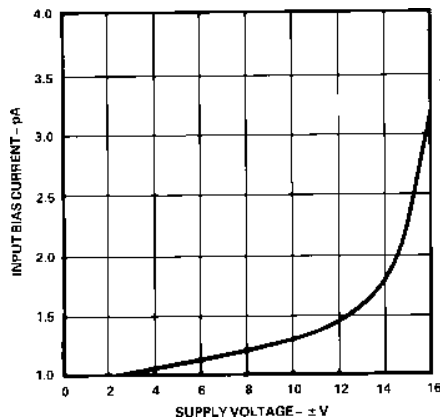


Figure 13. Pin 2 Input Bias Current vs. Supply Voltage

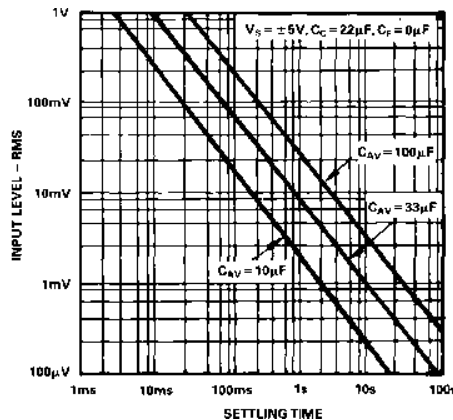


Figure 14. Settling Time vs. RMS Input Level for Various Values of C_{AV}

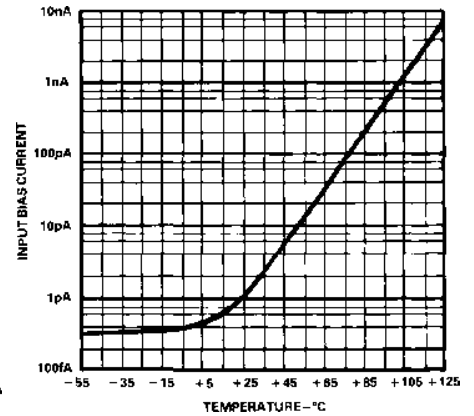


Figure 15. Pin 2 Input Bias Current vs. Temperature

CALCULATING SETTTLING TIME USING FIGURE 14

The graph of Figure 14 may be used to closely approximate the time required for the AD737 to settle when its input level is reduced in amplitude. The *net time* required for the rms converter to settle will be the *difference* between two times extracted from the graph – the initial time minus the final settling time. As an example, consider the following conditions: a 33 μF averaging capacitor, an initial rms input level of 100 mV and a final (reduced) input level of 1 mV. From Figure 14, the initial settling time (where the 100 mV line intersects the 33 μF line) is around 80 ms. The settling time corresponding to the new or final input level of 1 mV is approximately 8 seconds. Therefore, the net time for the circuit to settle to its new value will be 8 seconds minus 80 ms which is 7.92 seconds. Note that, because of the smooth decay characteristic inherent with a capacitor/diode combination, this is the total settling time to the final value (i.e., *not* the settling time to 1%, 0.1%, etc., of final value). Also, this graph provides the worst case settling time, since the AD737 will settle very quickly with increasing input levels.

TYPES OF AC MEASUREMENT

The AD737 is capable of measuring ac signals by operating as either an average responding or a true rms-to-dc converter. As its name implies, an average responding converter computes the average absolute value of an ac (or ac and dc) voltage or current by full wave rectifying and low-pass filtering the input signal; this will approximate the average. The resulting output, a dc “average” level, is then scaled by adding (or reducing) gain; this scale factor converts the dc average reading to an rms equivalent value for the waveform being measured. For example, the average absolute value of a sine-wave voltage is 0.636 that of V_{PEAK} ; the corresponding rms value is 0.707 times V_{PEAK} . Therefore, for sine-wave voltages, the required scale factor is 1.11 (0.707 divided by 0.636).

In contrast to measuring the “average” value, true rms measurement is a “universal language” among waveforms, allowing the magnitudes of all types of voltage (or current) waveforms to be compared to one another and to dc. RMS is a direct measure of the power or heating value of an ac voltage compared to that of dc: an ac signal of 1 volt rms will produce the same amount of heat in a resistor as a 1 volt dc signal.

AD737

Table I. Error Introduced by an Average Responding Circuit When Measuring Common Waveforms

Waveform Type 1 Volt Peak Amplitude	Crest Factor (V_{PEAK}/V_{rms})	True rms Value	Average Responding Circuit Calibrated to Read rms Value of Sine Waves Will Read	% of Reading Error* Using Average Responding Circuit
Undistorted Sine Wave	1.414	0.707 V	0.707 V	0%
Symmetrical Square Wave	1.00	1.00 V	1.11 V	+11.0%
Undistorted Triangle Wave	1.73	0.577 V	0.555 V	-3.8%
Gaussian Noise (98% of Peaks <1 V)	3	0.333 V	0.295 V	-11.4%
Rectangular Pulse Train	2	0.5 V	0.278 V	-44%
	10	0.1 V	0.011 V	-89%
SCR Waveforms 50% Duty Cycle	2	0.495 V	0.354 V	-28%
25% Duty Cycle	4.7	0.212 V	0.150 V	-30%

Mathematically, the rms value of a voltage is defined (using a simplified equation) as:

$$V_{rms} = \sqrt{Avg.(V^2)}$$

This involves squaring the signal, taking the average, and then obtaining the square root. True rms converters are “smart rectifiers”: they provide an accurate rms reading regardless of the type of waveform being measured. However, average responding converters can exhibit very high errors when their input signals deviate from their precalibrated waveform; the magnitude of the error will depend upon the type of waveform being measured. As an example, if an average responding converter is calibrated to measure the rms value of sine-wave voltages, and then is used to measure either symmetrical square waves or dc voltages, the converter will have a computational error 11% (of reading) higher than the true rms value (see Table I).

AD737 THEORY OF OPERATION

As shown by Figure 16, the AD737 has four functional subsections: input amplifier, full-wave rectifier, rms core and bias sections. The FET input amplifier allows both a high impedance, buffered input (Pin 2) or a low impedance, wide-dynamic-range

input (Pin 1). The high impedance input, with its low input bias current, is well suited for use with high impedance input attenuators. The input signal may be either dc or ac coupled to the input amplifier. Unlike other rms converters, the AD737 permits both direct and indirect ac coupling of the inputs. AC coupling is provided by placing a series capacitor between the input signal and Pin 2 (or Pin 1) for direct coupling and between Pin 1 and ground (while driving Pin 2) for indirect coupling.

The output of the input amplifier drives a full-wave precision rectifier, which in turn, drives the rms core. It is in the core that the essential rms operations of squaring, averaging and square rooting are performed, using an external averaging capacitor, C_{AV} . Without C_{AV} , the rectified input signal travels through the core unprocessed, as is done with the average responding connection (Figure 17).

A final subsection, the bias section, permits a “power down” function. This reduces the idle current of the AD737 from 160 μA down to a mere 30 μA . This feature is selected by tying Pin 3 to the $+V_S$ terminal. In the average responding connection, all of the averaging is carried out by an RC post filter consisting of an 8 k Ω internal scale-factor resistor connected between Pins 6 and 8 and an external averaging capacitor, C_F . In the rms circuit, this additional filtering stage helps reduce any output ripple which was not removed by the averaging capacitor, C_{AV} .

RMS MEASUREMENT - CHOOSING THE OPTIMUM VALUE FOR C_{AV}

Since the external averaging capacitor, C_{AV} , “holds” the rectified input signal during rms computation, its value directly affects the accuracy of the rms measurement, especially at low frequencies. Furthermore, because the averaging capacitor appears across a diode in the rms core, the averaging time constant will increase exponentially as the input signal is reduced. This means that as the input level decreases, errors due to nonideal averaging will *reduce* while the time it takes for the circuit to settle to the new rms level will *increase*. Therefore, lower input levels allow the circuit to perform better (due to increased averaging) but increase the waiting time between measurements. Obviously, when selecting C_{AV} , a trade-off between computational accuracy and settling time is required.

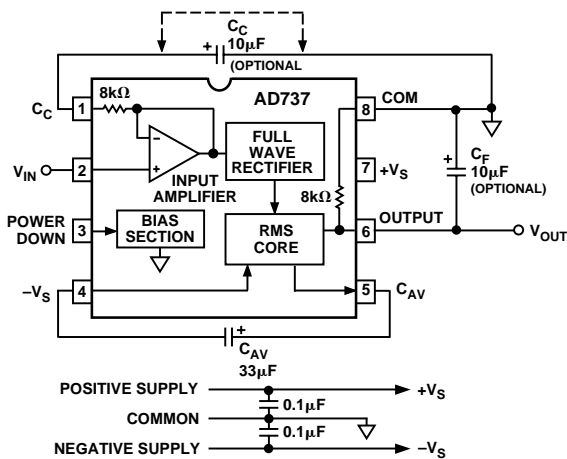


Figure 16. AD737 True RMS Circuit

RAPID SETTLING TIMES VIA THE AVERAGE RESPONDING CONNECTION (FIGURE 17)

Because the average responding connection does not use an averaging capacitor, its settling time does not vary with input signal level; it is determined solely by the RC time constant of C_F and the internal 8 kΩ output scaling resistor.

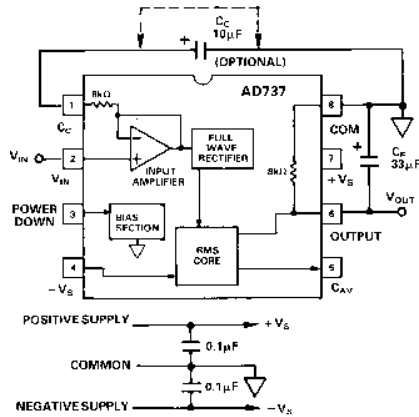


Figure 17. AD737 Average Responding Circuit

DC ERROR, OUTPUT RIPPLE, AND AVERAGING ERROR

Figure 18 shows the typical output waveform of the AD737 with a sine-wave input voltage applied. As with all real-world devices, the ideal output of $V_{OUT} = V_{IN}$ is never exactly achieved; instead, the output contains both a dc and an ac error component.

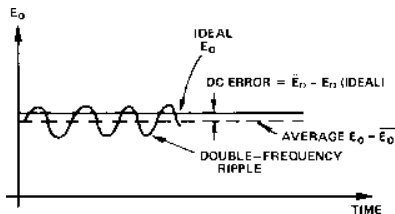


Figure 18. Output Waveform for Sine-Wave Input Voltage

As shown, the dc error is the difference between the average of the output signal (when all the ripple in the output has been removed by external filtering) and the ideal dc output. The dc error component is therefore set solely by the value of averaging capacitor used—no amount of post filtering (i.e., using a very large C_F) will allow the output voltage to equal its ideal value. The ac error component, an output ripple, may be easily removed by using a large enough post filtering capacitor, C_F .

In most cases, the combined magnitudes of both the dc and ac error components need to be considered when selecting appropriate values for capacitors C_{AV} and C_F . This combined error, representing the maximum uncertainty of the measurement is termed the “averaging error” and is equal to the peak value of the output ripple plus the dc error. As the input frequency increases, both error components decrease rapidly: if the input frequency doubles, the dc error and ripple reduce to 1/4 and 1/2 their original values, respectively, and rapidly become insignificant.

AC MEASUREMENT ACCURACY AND CREST FACTOR

The crest factor of the input waveform is often overlooked when determining the accuracy of an ac measurement. Crest factor is defined as the ratio of the peak signal amplitude to the rms amplitude ($C.F. = V_{PEAK}/V_{rms}$). Many common waveforms, such as sine and triangle waves, have relatively low crest factors (≥ 2). Other waveforms, such as low duty cycle pulse trains and SCR waveforms, have high crest factors. These types of waveforms require a long averaging time constant (to average out the long time periods between pulses). Figure 6 shows the additional error vs. crest factor of the AD737 for various values of C_{AV} .

SELECTING PRACTICAL VALUES FOR INPUT COUPLING (C_C), AVERAGING (C_{AV}) AND FILTERING (C_F) CAPACITORS

Table II provides practical values of C_{AV} and C_F for several common applications.

Table II. AD737 Capacitor Selection Chart

Application	rms Input Level	Low Frequency Cutoff (-3 dB)	Max Crest Factor	C_{AV}	C_F	Settling Time* to 1%
General Purpose rms Computation	0-1 V	20 Hz	5	150 μF	10 μF	360 ms
		200 Hz	5	15 μF	1 μF	36 ms
	0-200 mV	20 Hz	5	33 μF	10 μF	360 ms
		200 Hz	5	3.3 μF	1 μF	36 ms
General Purpose Average Responding	0-1 V	20 Hz		None	33 μF	1.2 sec
		200 Hz		None	3.3 μF	120 ms
	0-200 mV	20 Hz		None	33 μF	1.2 sec
		200 Hz		None	3.3 μF	120 ms
SCR Waveform Measurement	0-200 mV	50 Hz	5	100 μF	33 μF	1.2 sec
		60 Hz	5	82 μF	27 μF	1.0 sec
	0-100 mV	50 Hz	5	50 μF	33 μF	1.2 sec
		60 Hz	5	47 μF	27 μF	1.0 sec
Audio Applications						
Speech	0-200 mV	300 Hz	3	1.5 μF	0.5 μF	18 ms
Music	0-100 mV	20 Hz	10	100 μF	68 μF	2.4 sec

* Settling time is specified over the stated rms input level with the input signal increasing from zero. Settling times will be greater for decreasing amplitude input signals.

The input coupling capacitor, C_C , in conjunction with the 8 kΩ internal input scaling resistor, determine the -3 dB low frequency rolloff. This frequency, F_L , is equal to:

$$F_L = \frac{1}{2\pi(8,000)(\text{The Value of } C_C \text{ in Farads})}$$

Note that at F_L , the amplitude error will be approximately -30% (-3 dB) of reading. To reduce this error to 0.5% of reading, choose a value of C_C that sets F_L at one tenth the lowest frequency to be measured.

In addition, if the input voltage has more than 100 mV of dc offset, than the ac coupling network at Pin 2 should be used in addition to capacitor C_C .

AD737—Applications Circuits

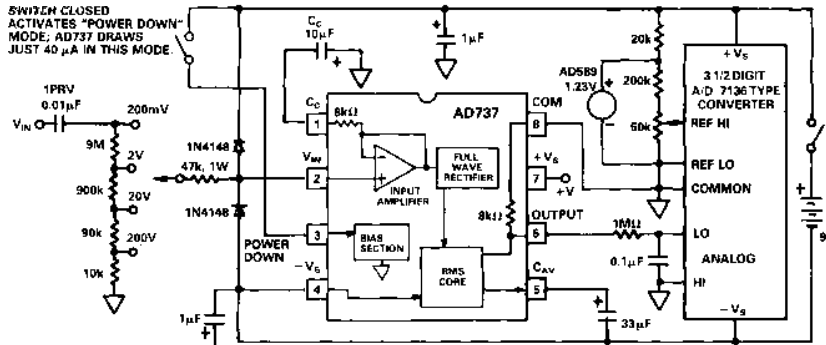


Figure 19. 3 1/2 Digit DVM Circuit

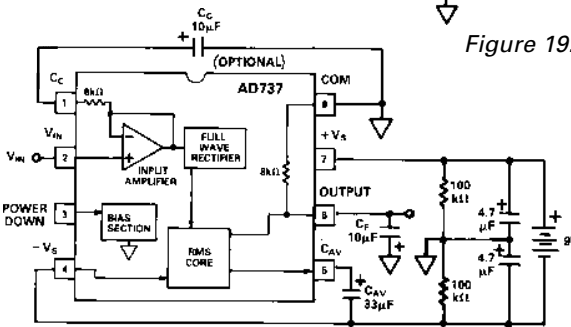


Figure 20. Battery Powered Operation for 200 mV max RMS Full-Scale Input

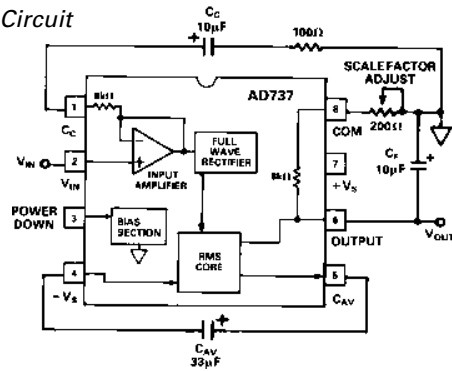


Figure 21. External Scale Factor Trim

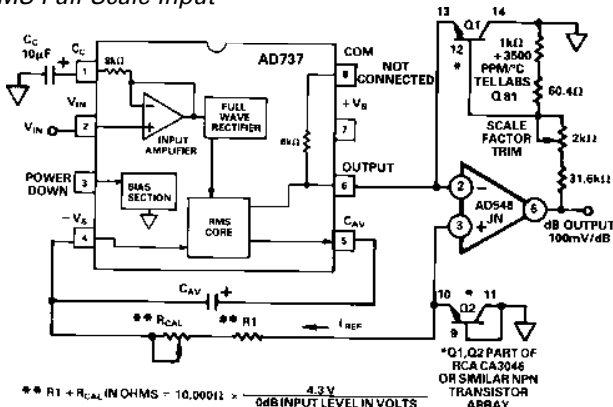


Figure 22. dB Output Connection

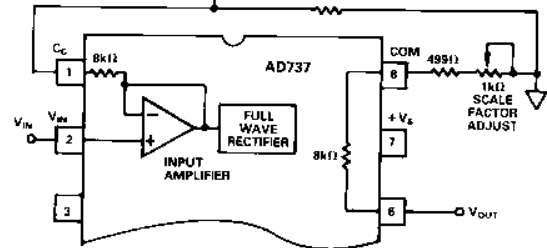
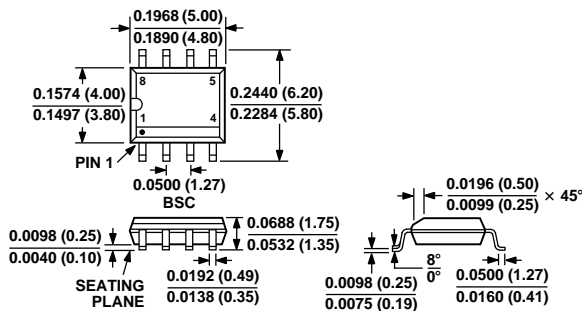


Figure 23. DC Coupled V_{OS} and Scale Factor Trims

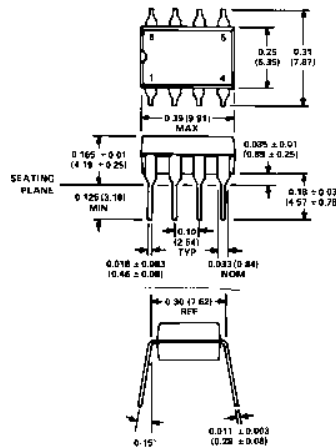
OUTLINE DIMENSIONS

Dimensions shown in inches and (mm).

8-Lead Small Outline Package (SO-8)



8-Lead Plastic DIP Package (N-8)



8-Lead Cerdip Package (Q-8)

