

FEATURES

- +5 V Power Supply
- 50 MHz Speed
- On-Chip SINE Look-Up Table
- On-Chip 10-Bit DAC
- Parallel Loading
- Power-Down Option
- 72 dB SFDR
- 250 mW Power Consumption
- 48-Pin TQFP

APPLICATIONS

- DDS Tuning
- Digital Demodulation

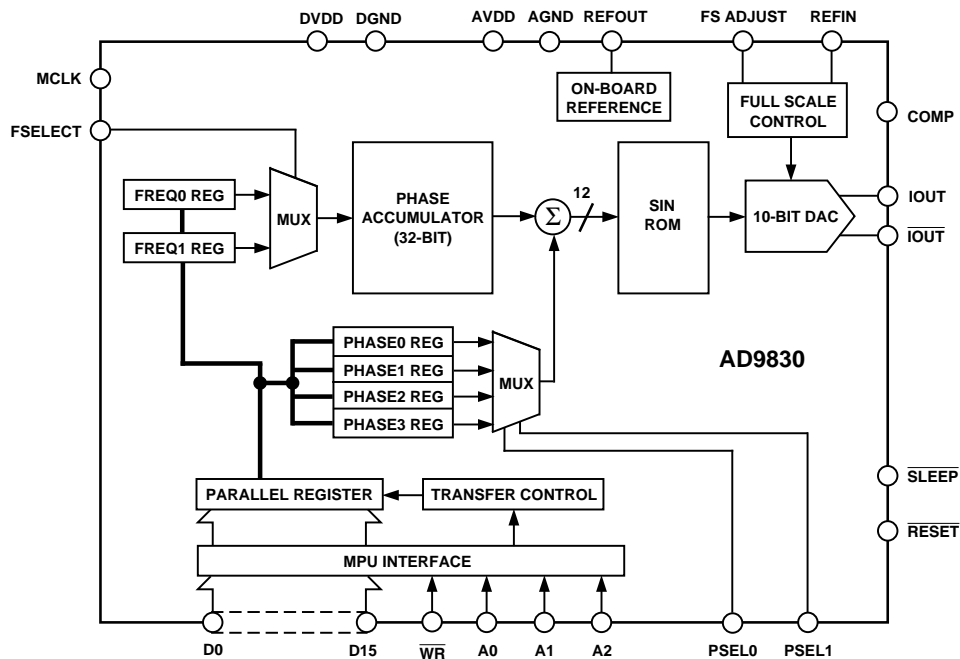
GENERAL DESCRIPTION

This DDS device is a numerically controlled oscillator employing a phase accumulator, a sine look-up table and a 10-bit D/A converter integrated on a single CMOS chip. Modulation capabilities are provided for phase modulation and frequency modulation.

Clock rates up to 50 MHz are supported. Frequency accuracy can be controlled to one part in 4 billion. Modulation is effected by loading registers through the parallel micro-processor interface.

A power-down pin allows external control of a power-down mode. The part is available in a 48-pin TQFP package.

FUNCTIONAL BLOCK DIAGRAM



REV. A

Information furnished by Analog Devices is believed to be accurate and reliable. However, no responsibility is assumed by Analog Devices for its use, nor for any infringements of patents or other rights of third parties which may result from its use. No license is granted by implication or otherwise under any patent or patent rights of Analog Devices.

© Analog Devices, Inc., 1996

One Technology Way, P.O. Box 9106, Norwood, MA 02062-9106, U.S.A.
Tel: 617/329-4700 Fax: 617/326-8703

AD9830—SPECIFICATIONS¹ ($V_{DD} = +5\text{ V} \pm 5\%$; $AGND = DGND = 0\text{ V}$; $T_A = T_{MIN}$ to T_{MAX} ; $REFIN = REFOUT$; $R_{SET} = 1\text{ k}\Omega$; $R_{LOAD} = 51\ \Omega$ for IOUT and IO \overline{UT} unless otherwise noted)

Parameter	AD9830A	Units	Test Conditions/Comments
SIGNAL DAC SPECIFICATIONS			
Resolution	10	Bits	
Update Rate (f_{MAX})	50	MSPS max	
I $_{OUT}$ Full Scale	20	mA max	
Output Compliance	1	V max	
DC Accuracy			
Integral Nonlinearity	± 1	LSB typ	
Differential Nonlinearity	± 0.5	LSB typ	
DDS SPECIFICATIONS²			
Dynamic Specifications			
Signal-to-Noise Ratio	50	dB min	$f_{MCLK} = f_{MAX}$, $f_{OUT} = 2\text{ MHz}$
Total Harmonic Distortion	-53	dBc max	$f_{MCLK} = f_{MAX}$, $f_{OUT} = 2\text{ MHz}$
Spurious Free Dynamic Range (SFDR)³			
Narrow Band			
($\pm 50\text{ kHz}$)	-72	dBc min	$f_{MCLK} = 6.25\text{ MHz}$, $f_{OUT} = 2.11\text{ MHz}$
($\pm 200\text{ kHz}$)	-68	dBc min	
Wide Band ($\pm 2\text{ MHz}$)			
	-50	dBc min	
Clock Feedthrough	-55	dBc typ	
Wake Up Time	1	ms typ	
Power-Down Option	Yes		
VOLTAGE REFERENCE			
Internal Reference @ +25°C			
T_{MIN} to T_{MAX}	1.21	Volts typ	
	$1.21 \pm 7\%$	Volts min/max	
REFIN Input Impedance	10	M Ω typ	
Reference TC	100	ppm/°C typ	
REFOUT Impedance	300	Ω typ	
LOGIC INPUTS			
V_{INH} , Input High Voltage	$V_{DD}-0.9$	V min	
V_{INL} , Input Low Voltage	0.9	V max	
I_{INH} , Input Current	10	μA max	
C_{IN} , Input Capacitance	10	pF max	
POWER SUPPLIES			
AVDD	4.75/5.25	V min/V max	$f_{OUT} = 2\text{ MHz}$
DVDD	4.75/5.25	V min/V max	
I_{AA}	25	mA max	
I_{DD}	$6 + 0.5/\text{MHz}$	mA typ	
$I_{AA} + I_{DD}$ ⁴	60	mA max	
Low Power Sleep Mode ⁵	0.25	mA typ	1 M Ω Resistor Tied Between REFOUT and AGND
	1	mA max	

NOTES

¹Operating temperature range is as follows: A Version: -40°C to $+85^\circ\text{C}$.

²All dynamic specifications are measured using IO \overline{UT} . 100% production tested.

³ $f_{MCLK} = 6.25\text{ MHz}$, Frequency Word = 5671C71C HEX, $f_{OUT} = 2.11\text{ MHz}$.

⁴Measured with the digital inputs static and equal to 0 V or DVDD.

⁵The Low Power Sleep Mode current is 2 mA typically when a 1 M Ω resistor is not tied from REFOUT to AGND.

The AD9830 is tested with a capacitive load of 50 pF. The part can be operated with higher capacitive loads, but the magnitude of the analog output will be attenuated. For example, a 10 MHz output signal will be attenuated by 3 dB when the load capacitance equals 250 pF.

Specifications subject to change without notice.

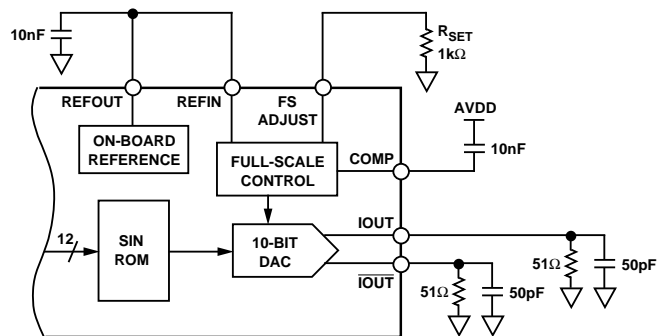


Figure 1. Test Circuit with Which Specifications Are Tested

TIMING CHARACTERISTICS ($V_{DD} = +5\text{ V} \pm 5\%$; AGND = DGND = 0 V, unless otherwise noted)

Parameter	Limit at T_{MIN} to T_{MAX} (A Version)	Units	Test Conditions/Comments
t_1	20	ns min	MCLK Period
t_2	8	ns min	MCLK High Duration
t_3	8	ns min	MCLK Low Duration
t_4^1	8	ns min	\overline{WR} Rising Edge Before MCLK Rising Edge
t_{4A}^1	8	ns min	\overline{WR} Rising Edge After MCLK Rising Edge
t_5	8	ns min	\overline{WR} Pulse Width
t_6	t_1	ns min	Duration Between Consecutive \overline{WR} Pulses
t_7	5	ns min	Data/Address Setup Time
t_8	3	ns min	Data/Address Hold Time
t_9^1	8	ns min	FSELECT, PSEL0, PSEL1 Setup Time Before MCLK Rising Edge
t_{9A}^1	8	ns min	FSELECT, PSEL0, PSEL1 Setup Time After MCLK Rising Edge
t_{10}	t_1	ns min	\overline{RESET} Pulse Duration

NOTES

¹See Pin Description section.

Guaranteed by design, but not production tested.

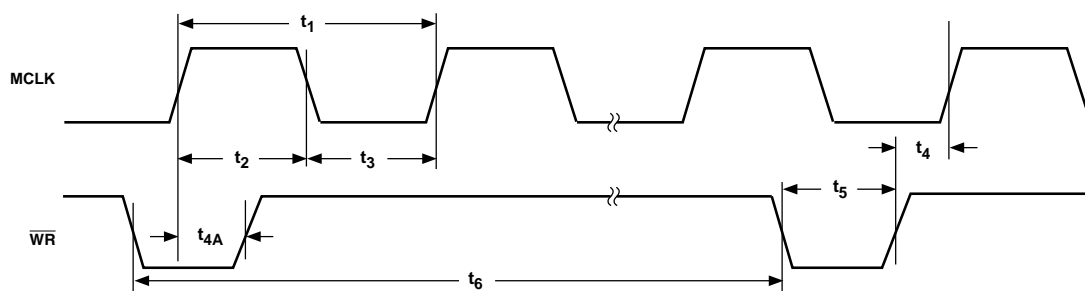


Figure 2. \overline{WR} -MCLK Relationship

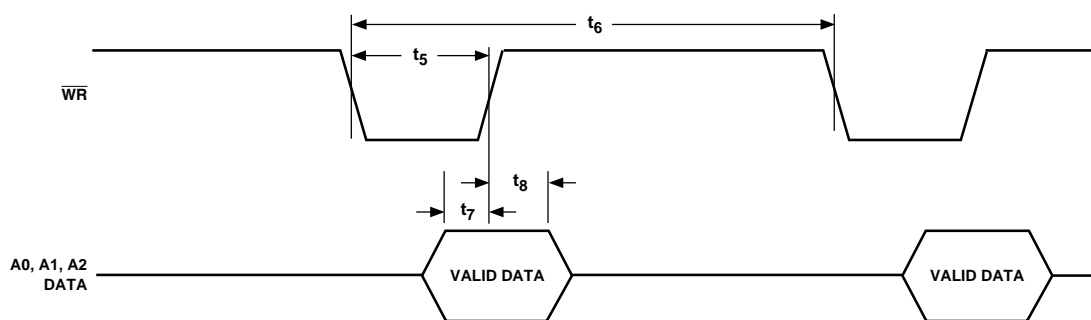


Figure 3. Writing to a Phase/Frequency Register

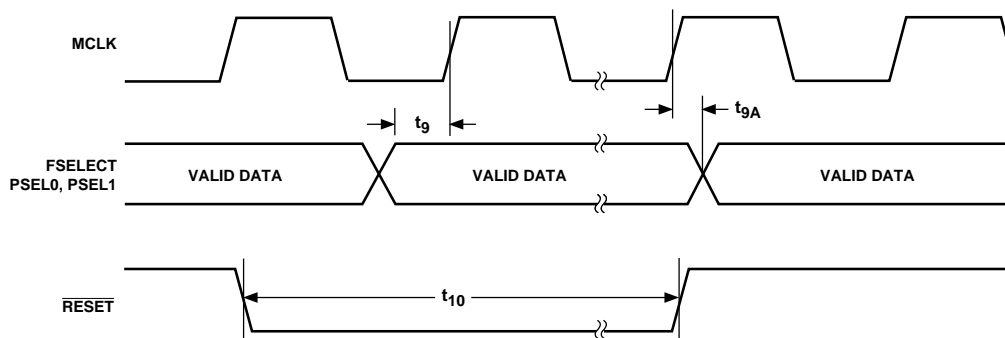


Figure 4. Control Timing

AD9830

ABSOLUTE MAXIMUM RATINGS*

(T_A = +25°C unless otherwise noted)

AVDD to AGND	-0.3 V to +7 V
DVDD to DGND	-0.3 V to +7 V
AVDD to DVDD	-0.3 V to +0.3 V
AGND to DGND	-0.3 V to +0.3 V
Digital I/O Voltage to DGND	-0.3 V to DVDD + 0.3 V
Analog I/O Voltage to AGND	-0.3 V to AVDD + 0.3 V
Operating Temperature Range		
Industrial (A Version)	-40°C to +85°C
Storage Temperature Range		
	-65°C to +150°C

Maximum Junction Temperature	+150°C
TQFP θ _{JA} Thermal Impedance	75°C/W
Lead Temperature, Soldering		
Vapor Phase (60 sec)	+215°C
Infrared (15 sec)	+220°C

*Stresses above those listed under "Absolute Maximum Ratings" may cause permanent damage to the device. This is a stress rating only and functional operation of the device at these or any other conditions above those listed in the operational sections of this specification is not implied. Exposure to absolute maximum rating conditions for extended periods may affect device reliability.

CAUTION

ESD (electrostatic discharge) sensitive device. Electrostatic charges as high as 4000 V readily accumulate on the human body and test equipment and can discharge without detection. Although this device features proprietary ESD protection circuitry, permanent damage may occur on devices subjected to high energy electrostatic discharges. Therefore, proper ESD precautions are recommended to avoid performance degradation or loss of functionality.

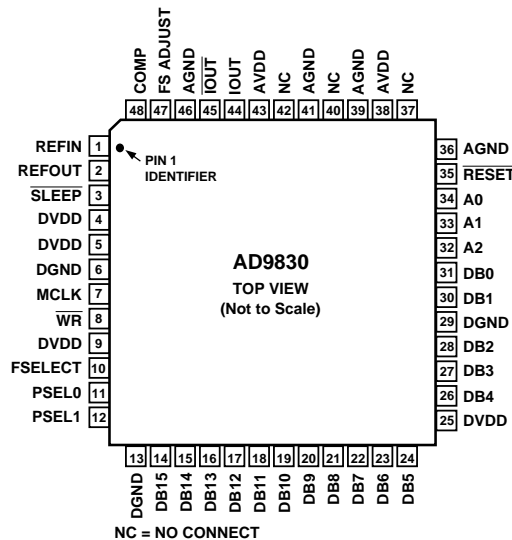


ORDERING GUIDE

Model	Temperature Range	Package Option*
AD9830AST	-40°C to +85°C	ST-48

*ST = Thin Quad Flatpack (TQFP).

PIN CONFIGURATION



PIN DESCRIPTION

Mnemonic	Function
POWER SUPPLY	
AVDD	Positive power supply for the analog section. A 0.1 μ F capacitor should be connected between AVDD and AGND. AVDD has a value of $+5\text{ V} \pm 5\%$.
AGND	Analog Ground.
DVDD	Positive power supply for the digital section. A 0.1 μ F decoupling capacitor should be connected between DVDD and DGND. DVDD has a value of $+5\text{ V} \pm 5\%$.
DGND	Digital Ground.
ANALOG SIGNAL AND REFERENCE	
IOUT, $\overline{\text{IOUT}}$	Current Output. This is a high impedance current source. A load resistor should be connected between IOUT and AGND. $\overline{\text{IOUT}}$ should be either tied directly to AGND or through an external load resistor to AGND.
FS ADJUST	Full-Scale Adjust Control. A resistor (R_{SET}) is connected between this pin and AGND. This determines the magnitude of the full-scale DAC current. The relationship between R_{SET} and the full-scale current is as follows: $I_{\text{OUT}}_{\text{FULL-SCALE}} = 16 \frac{V_{\text{REFIN}}}{R_{\text{SET}}}$ $V_{\text{REFIN}} = 1.21\text{ V nominal}, R_{\text{SET}} = 1\text{ k}\Omega \text{ typical}$
REFIN	Voltage Reference Input. The AD9830 can be used with either the on-board reference, which is available from pin REFOUT, or an external reference. The reference to be used is connected to the REFIN pin. The AD9830 accepts a reference of 1.21 V nominal.
REFOUT	Voltage Reference Output. The AD9830 has an on-board reference of value 1.21 V nominal. The reference is made available on the REFOUT pin. This reference is used as the reference to the DAC by connecting REFOUT to REFIN. REFOUT should be decoupled with a 10 nF capacitor to AGND.
COMP	Compensation pin. This is a compensation pin for the internal reference amplifier. A 10 nF decoupling ceramic capacitor should be connected between COMP and AVDD.
DIGITAL INTERFACE AND CONTROL	
MCLK	Digital Clock Input. DDS output frequencies are expressed as a binary fraction of the frequency of MCLK. The output frequency accuracy and phase noise are determined by this clock.
FSELECT	Frequency Select Input. FSELECT controls which frequency register, FREQ0 or FREQ1, is used in the phase accumulator. FSELECT is sampled on the rising MCLK edge. FSELECT needs to be in steady state when an MCLK rising edge occurs. If FSELECT changes value when an MCLK rising edge occurs, there is an uncertainty of one MCLK cycle as to when control is transferred to the other frequency register. To avoid any uncertainty, a change on FSELECT should not coincide with an MCLK rising edge.
$\overline{\text{WR}}$	Write, Edge-Triggered Digital Input. The $\overline{\text{WR}}$ pin is used when writing data to the AD9830. The data is loaded into the AD9830 on the rising edge of the $\overline{\text{WR}}$ pulse. This data is then loaded into the destination register on the MCLK rising edge. The $\overline{\text{WR}}$ pulse rising edge should not coincide with the MCLK rising edge as there will be an uncertainty of one MCLK cycle regarding the loading of the destination register with the new data. The $\overline{\text{WR}}$ rising edge should occur before an MCLK rising edge. The data will then be transferred into the destination register on the MCLK rising edge. Alternatively, the $\overline{\text{WR}}$ rising edge can occur after the MCLK rising edge and the destination register will be loaded on the next MCLK rising edge.
D0-D15	Data Bus, Digital Inputs for destination registers.
A0-A2	Address Digital Inputs. These address bits are used to select the destination register to which the digital data is to be written.
PSEL0, PSEL1	Phase Select Input. The AD9830 has four phase registers. These registers can be used to alter the value being input to the SIN ROM. The contents of the phase register can be added to the phase accumulator output, the inputs PSEL0 and PSEL1 selecting the phase register to be used. Like the FSELECT input, the AD9830 samples the PSEL0 and PSEL1 inputs on the MCLK rising edge. Therefore, these inputs should be in steady state at the MCLK rising edge or, there is an uncertainty of one MCLK cycle as to when control is transferred to the selected phase register.
$\overline{\text{SLEEP}}$	Low Power Control, active low digital input. $\overline{\text{SLEEP}}$ puts the AD9830 into a low power mode. Internal clocks are disabled and the DAC's current sources and REFOUT are turned off. The AD9830 is re-enabled by taking $\overline{\text{SLEEP}}$ high.
$\overline{\text{RESET}}$	Reset, active low digital input. $\overline{\text{RESET}}$ resets the phase accumulator to zero which corresponds to an analog output of midscale.

AD9830

TERMINOLOGY

Integral Nonlinearity

This is the maximum deviation of any code from a straight line passing through the endpoints of the transfer function. The endpoints of the transfer function are zero scale, a point 0.5 LSB below the first code transition (000 . . . 00 to 000 . . . 01) and full scale, a point 0.5 LSB above the last code transition (111 . . . 10 to 111 . . . 11). The error is expressed in LSBs.

Differential Nonlinearity

This is the difference between the measured and the ideal 1 LSB change between two adjacent codes in the DAC.

Signal to (Noise + Distortion)

Signal to (Noise + Distortion) is measured signal to noise at the output of the DAC. The signal is the rms magnitude of the fundamental. Noise is the rms sum of all the nonfundamental signals up to half the sampling frequency ($f_{MCLK}/2$) but excluding the dc component. Signal to (Noise + Distortion) is dependent on the number of quantization levels used in the digitization process; the more levels, the smaller the quantization noise. The theoretical Signal to (Noise + Distortion) ratio for a sine wave input is given by

$$\text{Signal to (Noise + Distortion)} = (6.02 N + 1.76) \text{ dB}$$

where N is the number of bits. Thus, for an ideal 10-bit converter, Signal to (Noise + Distortion) = 61.96 dB.

Total Harmonic Distortion

Total Harmonic Distortion (THD) is the ratio of the rms sum of harmonics to the rms value of the fundamental. For the AD9830, THD is defined as

$$\text{THD} = 20 \log \frac{\sqrt{V_2^2 + V_3^2 + V_4^2 + V_5^2 + V_6^2}}{V_1}$$

where V_1 is the rms amplitude of the fundamental and V_2 , V_3 , V_4 , V_5 and V_6 are the rms amplitudes of the second through the sixth harmonic.

Output Compliance

The output compliance refers to the maximum voltage which can be generated at the output of the DAC to meet the specifications. When voltages greater than that specified for the output compliance are generated, the AD9830 may not meet the specifications listed in the data sheet. For the AD9830, the maximum voltage which can be generated by the DAC is 1V.

Spurious Free Dynamic Range

Along with the frequency of interest, harmonics of the fundamental frequency and images of the MCLK frequency will be present at the output of a DDS device. The spurious free dynamic range (SFDR) refers to the largest spur or harmonic which is present in the band of interest. The wideband SFDR gives the magnitude of the largest harmonic or spur relative to the magnitude of the fundamental frequency in the bandwidth ± 2 MHz about the fundamental frequency. The narrowband SFDR gives the attenuation of the largest spur or harmonic in a bandwidth of ± 200 kHz and ± 50 kHz about the fundamental frequency.

Clock Feedthrough

There will be feedthrough from the MCLK input to the analog output. The clock feedthrough refers to the magnitude of the MCLK signal relative to the fundamental frequency in the AD9830's output spectrum.

Typical Performance Characteristics—AD9830

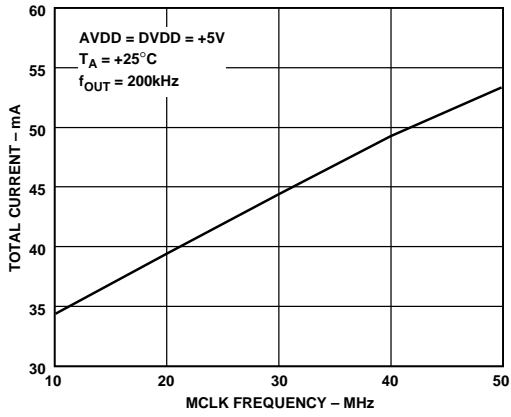


Figure 5. Typical Current Consumption vs. MCLK Frequency

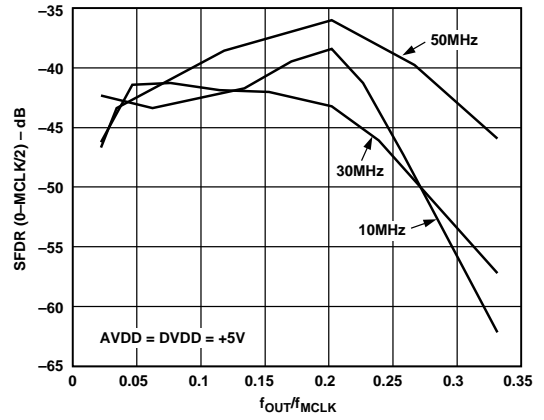


Figure 8. WB SFDR vs. f_{OUT}/f_{MCLK} for Various MCLK Frequencies

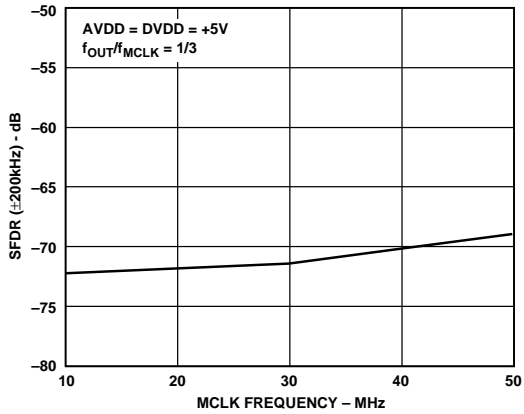


Figure 6. Narrow Band SFDR vs. MCLK Frequency

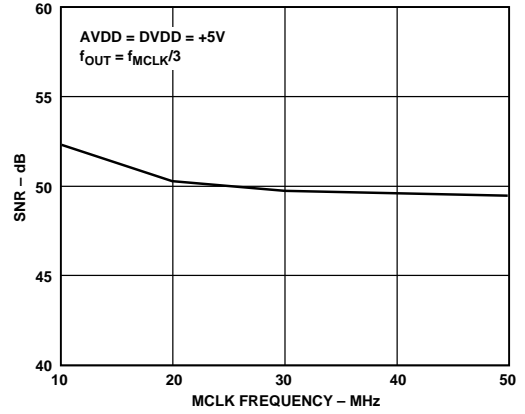


Figure 9. SNR vs. MCLK Frequency

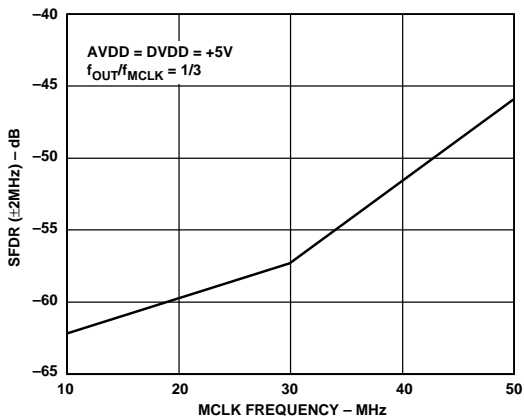


Figure 7. Wide Band SFDR vs. MCLK Frequency

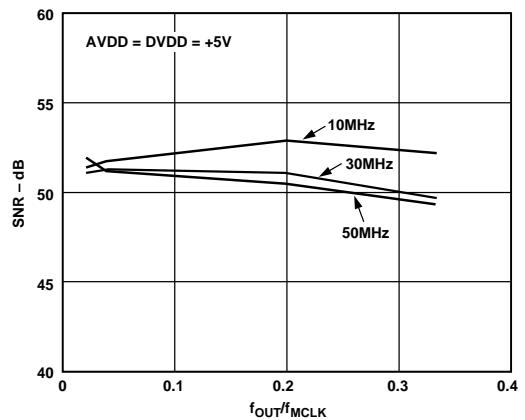


Figure 10. SNR vs. f_{OUT}/f_{MCLK} for Various MCLK Frequencies

AD9830

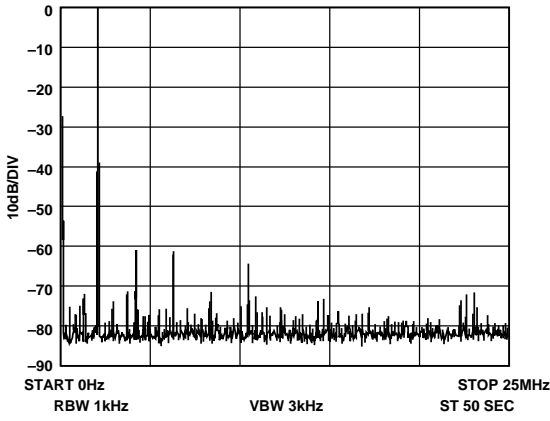


Figure 11. $f_{MCLK} = 50 \text{ MHz}$, $f_{OUT} = 2.1 \text{ MHz}$, Frequency Word = ACO8312

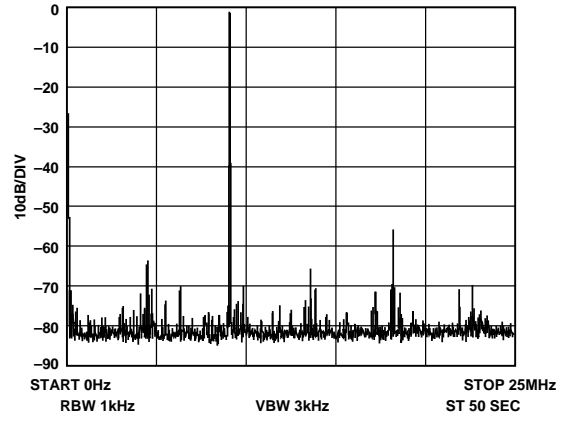


Figure 14. $f_{MCLK} = 50 \text{ MHz}$, $f_{OUT} = 9.1 \text{ MHz}$, Frequency Word = 2E978D50

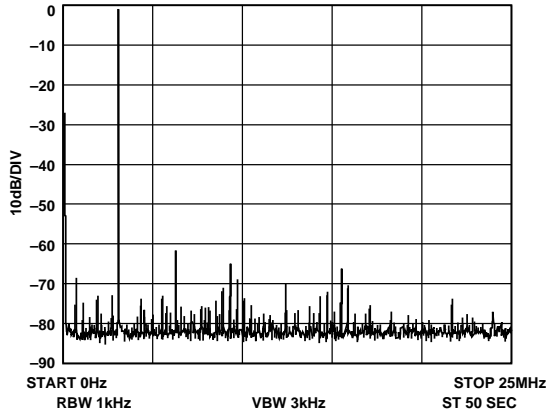


Figure 12. $f_{MCLK} = 50 \text{ MHz}$, $f_{OUT} = 3.1 \text{ MHz}$, Frequency Word = FDF3B64

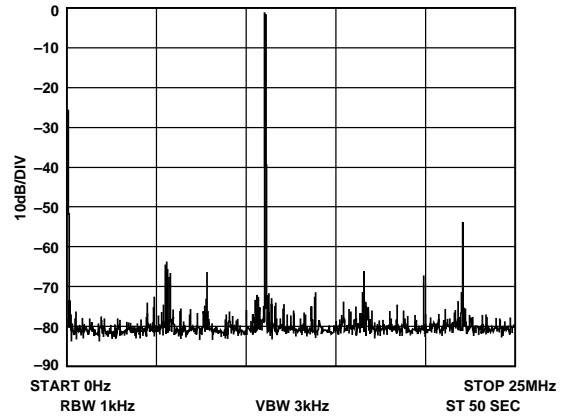


Figure 15. $f_{MCLK} = 50 \text{ MHz}$, $f_{OUT} = 11.1 \text{ MHz}$, Frequency Word = 38D4FDF4

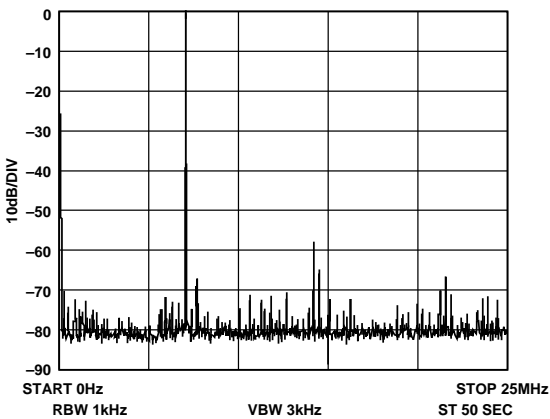


Figure 13. $f_{MCLK} = 50 \text{ MHz}$, $f_{OUT} = 7.1 \text{ MHz}$, Frequency Word = 245A1CAC

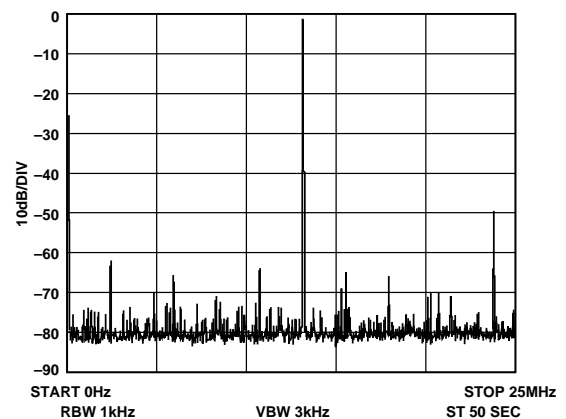


Figure 16. $f_{MCLK} = 50 \text{ MHz}$, $f_{OUT} = 13.1 \text{ MHz}$, Frequency Word = 43126E98

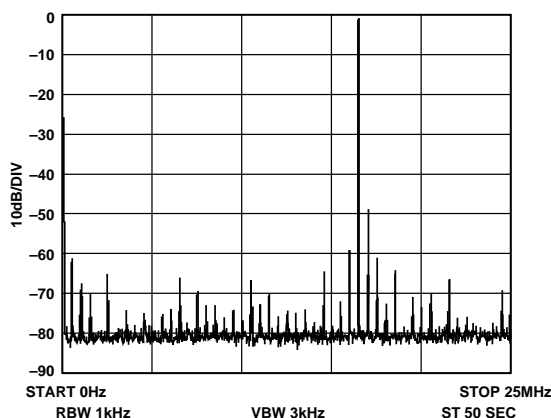


Figure 17. $f_{MCLK} = 50 \text{ MHz}$, $f_{OUT} = 16.5 \text{ MHz}$, Frequency Word = 547AE148

Register	Size	Description
FREQ0 REG	32 Bits	Frequency Register 0. This defines the output frequency, when FSELECT = 0, as a fraction of the MCLK frequency.
FREQ1 REG	32 Bits	Frequency Register 1. This defines the output frequency, when FSELECT = 1, as a fraction of the MCLK frequency.
PHASE0 REG	12 Bits	Phase Offset Register 0. When PSEL0 = PSEL1 = 0, the contents of this register are added to the output of the phase accumulator.
PHASE1 REG	12 Bits	Phase Offset Register 1. When PSEL0 = 1 and PSEL1 = 0, the contents of this register are added to the output of the phase accumulator.
PHASE2 REG	12 Bits	Phase Offset Register 2. When PSEL0 = 0 and PSEL1 = 1, the contents of this register are added to the output of the phase accumulator.
PHASE3 REG	12 Bits	Phase Offset Register 3. When PSEL0 = PSEL1 = 1, the contents of this register are added to the output of the phase accumulator.

Figure 18. AD9830 Control Registers

A2	A1	A0	Destination Register
0	0	0	FREQ0 REG 16 LSBs
0	0	1	FREQ0 REG 16 MSBs
0	1	0	FREQ1 REG 16 LSBs
0	1	1	FREQ1 REG 16 MSBs
1	0	0	PHASE0 REG
1	0	1	PHASE1 REG
1	1	0	PHASE2 REG
1	1	1	PHASE3 REG

Figure 19. Addressing the Control Registers

D15		D0
MSB		LSB

Figure 20. Frequency Register Bits

D15	D14	D13	D12	D11		D0
X	X	X	X	MSB		LSB

X = Don't Care

Figure 21. Phase Register Bits

AD9830

CIRCUIT DESCRIPTION

The AD9830 provides an exciting new level of integration for the RF/Communications system designer. The AD9830 combines the Numerical Controlled Oscillator (NCO), SINE Look-Up table, Frequency and Phase Modulators, and a Digital-to-Analog Converter on a single integrated circuit.

The internal circuitry of the AD9830 consists of three main sections. These are:

- Numerical Controlled Oscillator (NCO) + Phase Modulator
- SINE Look-Up Table
- Digital-to-Analog Converter

The AD9830 is a fully integrated Direct Digital Synthesis (DDS) chip. The chip requires one reference clock, two low precision resistors and eight decoupling capacitors to provide digitally created sine waves up to 25 MHz. In addition to the generation of this RF signal, the chip is fully capable of a broad range of simple and complex modulation schemes. These modulation schemes are fully implemented in the digital domain allowing accurate and simple realization of complex modulation algorithms using DSP techniques.

THEORY OF OPERATION

Sine waves are typically thought of in terms of their magnitude form $a(t) = \sin(\omega t)$. However, these are nonlinear and not easy to generate except through piece wise construction. On the other hand, the angular information is linear in nature. That is, the phase angle rotates through a fixed angle for each unit of time. The angular rate depends on the frequency of the signal by the traditional rate of $\omega = 2\pi f$

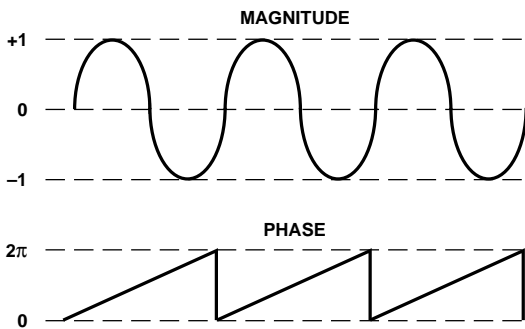


Figure 22. Sine Wave

Knowing that the phase of a sine wave is linear and given a reference interval (clock period), the phase rotation for that period can be determined.

$$\Delta Phase = \omega \delta t$$

Solving for ω

$$\omega = \Delta Phase / \delta t = 2\pi f$$

Solving for f and substituting the reference clock frequency for the reference period ($1/f_{MCLK} = \delta t$)

$$f = \Delta Phase \times f_{MCLK} / 2\pi$$

The AD9830 builds the output based on this simple equation. A simple DDS chip can implement this equation with three major subcircuits.

Numerical Controlled Oscillator + Phase Modulator

This consists of two frequency select registers, a phase accumulator and four phase offset registers. The main component of the NCO is a 32-bit phase accumulator which assembles the phase component of the output signal. Continuous time signals have a phase range of 0 to 2π . Outside this range of numbers, the sinusoid functions repeat themselves in a periodic manner. The digital implementation is no different. The accumulator simply scales the range of phase numbers into a multibit digital word. The phase accumulator in the AD9830 is implemented with 32 bits. Therefore, in the AD9830, $2\pi = 2^{32}$. Likewise, the $\Delta Phase$ term is scaled into this range of numbers $0 < \Delta Phase < 2^{32} - 1$. Making these substitutions into the equation above

$$f = \Delta Phase \times f_{MCLK} / 2^{32}$$

where $0 < \Delta Phase < 2^{32}$

With a clock signal of 50 MHz and a phase word of 051EB852 hex

$$f = 51EB852 \times 50 \text{ MHz} / 2^{32} = 1.00000000931 \text{ MHz}$$

The input to the phase accumulator (i.e., the phase step) can be selected either from the `FREQ0` Register or `FREQ1` Register and this is controlled by the `FSELECT` pin. NCOs inherently generate continuous phase signals, thus avoiding any output discontinuity when switching between frequencies. More complex frequency modulation schemes can be implemented by updating the contents of these registers. This facilitates complex frequency modulation schemes, such as GMSK.

Following the NCO, a phase offset can be added to perform phase modulation using the 12-bit `PHASE` Registers. The contents of this register are added to the most significant bits of the NCO. The AD9830 has four `PHASE` registers. The resolution of the phase registers equals $2\pi/4096$.

Sine Look-Up Table (LUT)

To make the output useful, the signal must be converted from phase information into a sinusoidal value. Since phase information maps directly into amplitude, a ROM LUT converts the phase information into amplitude. To do this, the digital phase information is used to address a sine ROM LUT. Although the NCO contains a 32-bit phase accumulator, the output of the NCO is truncated to 12 bits. Using the full resolution of the phase accumulator is impractical and unnecessary as this would require a look-up table of 2^{32} entries.

It is necessary only to have sufficient phase resolution in the LUTs such that the dc error of the output waveform is dominated by the quantization error in the DAC. This requires the look-up table to have two more bits of phase resolution than the 10-bit DAC.

Digital-to-Analog Converter

The AD9830 includes a high impedance current source 10-bit DAC, capable of driving a wide range of loads at different speeds. Full-scale output current can be adjusted, for optimum power and external load requirements, through the use of a single external resistor (`RSET`).

The DAC can be configured for single or differential ended operation. `IOUT` can be tied directly to `AGND` for single ended operation or through a load resistor to develop an output voltage. The load resistor can be any value required, as long as the

full-scale voltage developed across it does not exceed the voltage compliance range. Since full-scale current is controlled by R_{SET} , adjustments to R_{SET} can balance changes made to the load resistor. However, if the DAC full-scale output current is significantly less than 20 mA, the linearity of the DAC may degrade.

DSP and MPU Interfacing

The AD9830 has a parallel interface, with 16 bits of data being loaded during each write cycle.

The frequency or phase registers are loaded by asserting the \overline{WR} signal. The destination register for the 16-bit data is selected using the address inputs A0, A1 and A2. The phase registers are 12 bits wide so, only the 12 LSBs need to be valid—the 4 MSBs of the 16 bit word do not have to contain valid data. Data is loaded into the AD9830 by pulsing \overline{WR} low, the data being latched into the AD9830 on the rising edge of \overline{WR} . The values of inputs A0, A1 and A2 are also latched into the AD9830 on the \overline{WR} rising edge. The appropriate register is updated on the next MCLK rising edge. To ensure that the AD9830 contains valid data at the rising edge of MCLK, the rising edge of the \overline{WR} pulse should not coincide with the rising MCLK edge. The \overline{WR} pulse must occur several nanoseconds before the MCLK rising edge. If the \overline{WR} rising edge occurs at the MCLK rising edge, there is an uncertainty of one MCLK cycle regarding the loading of the destination register—the destination register may be loaded with the new data immediately or the destination register may be updated on the next MCLK rising edge. To avoid any uncertainty, the times listed in the specifications should be complied with.

FSELECT, PSEL0 and PSEL1 are sampled on the MCLK rising edge. Again, these inputs should be valid when an MCLK rising edge occurs as there will be an uncertainty of one MCLK cycle introduced otherwise. When these inputs change value, there will be a pipeline delay before control is transferred to the selected register—there will be a pipeline delay before the analog output is controlled by the selected register. Similarly, there is a delay when a new word is written to a register. PSEL0, PSEL1, FSELECT and \overline{WR} have latencies of six MCLK cycles.

The flow chart in Figure 23 shows the operating routine for the AD9830. When the AD9830 is powered up, the part should be reset using \overline{RESET} . This will reset the phase accumulator to zero so that the analog output is at midscale. \overline{RESET} does not reset the phase and frequency registers. These registers will contain invalid data and, therefore, should be set to zero by the user.

The registers to be used should be loaded, the analog output being $f_{MCLK}/2^{32} \times FREQ$ where FREQ is the value contained in the selected frequency register. This signal will be phase shifted by an amount $2\pi/4096 \times PHASEREG$ where PHASEREG is the value contained in the selected phase register. When FSELECT, PSEL0 and PSEL1 are programmed, there will be a pipeline delay of approximately 6 MCLK cycles before the analog output reacts to the change on these inputs.

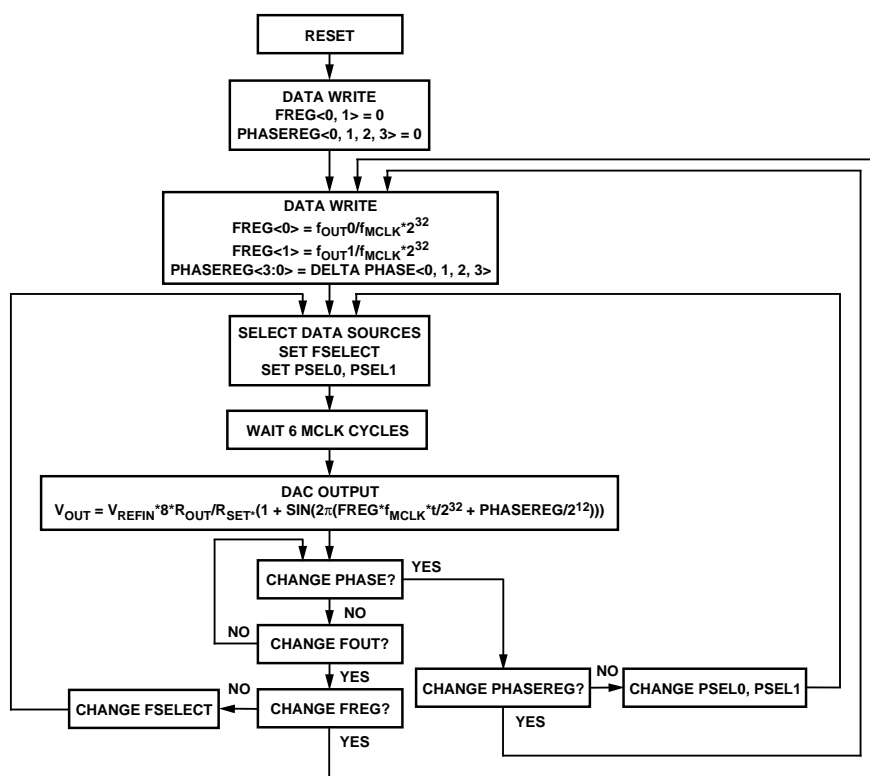


Figure 23. Flow Chart for AD9830 Initialization and Operation

AD9830

APPLICATIONS

The AD9830 contains functions which make it suitable for modulation applications. The part can be used to perform simple modulation such as FSK. More complex modulation schemes such as GMSK and QPSK can also be implemented using the AD9830. In a FSK application, the two frequency registers of the AD9830 are loaded with different values, one frequency will represent the space frequency while the other will represent the mark frequency. The digital data stream is fed to the FSELECT pin which will cause the AD9830 to modulate the carrier frequency between the two values.

The AD9830 has four phase registers which enable the part to perform PSK. With phase shift keying, the carrier frequency is phase shifted, the phase being altered by an amount which is

related to the bit stream being input to the modulator. The presence of four shift registers eases the interaction needed between the DSP and the AD9830.

The frequency and phase registers can be written to continuously, if required. The maximum update rate equals the frequency of the MCLK. However, if a selected register is loaded with a new word, there will be a delay of 6 MCLK cycles before the analog output will change accordingly.

The AD9830 is also suitable for signal generator applications. With its low current consumption, the part is suitable for mobile applications in which it can be used as a local oscillator. Figure 24 shows the interface between the AD9830 and AD6459 which is a down converter used on the receive side of mobile phones or basestations.

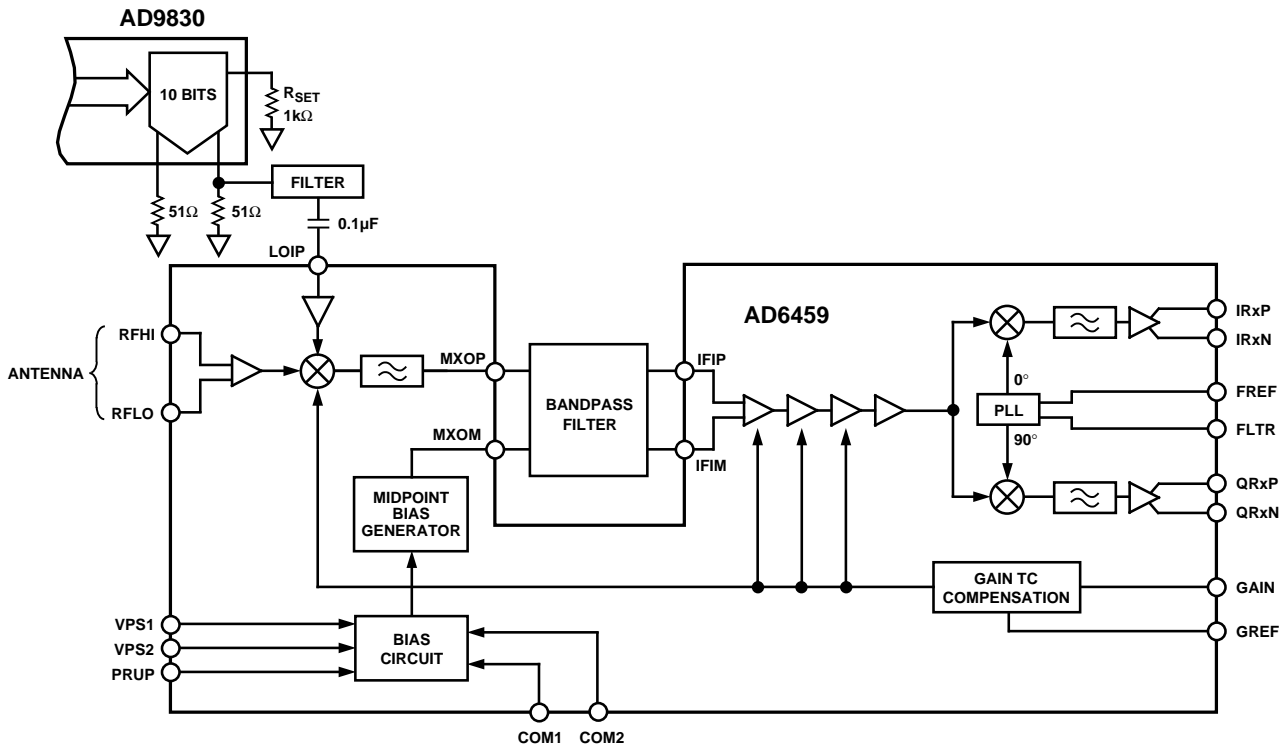


Figure 24. AD9830 and AD6459 Receiver Circuit

Grounding and Layout

The printed circuit board that houses the AD9830 should be designed so that the analog and digital sections are separated and confined to certain areas of the board. This facilitates the use of ground planes which can be separated easily. A minimum etch technique is generally best for ground planes as it gives the best shielding. Digital and analog ground planes should only be joined in one place. If the AD9830 is the only device requiring an AGND to DGND connection, then the ground planes should be connected at the AGND and DGND pins of the AD9830. If the AD9830 is in a system where multiple devices require AGND to DGND connections, the connection should be made at one point only, a star ground point that should be established as close as possible to the AD9830.

Avoid running digital lines under the device as these will couple noise onto the die. The analog ground plane should be allowed to run under the AD9830 to avoid noise coupling. The power supply lines to the AD9830 should use as large a track as is possible to provide low impedance paths and reduce the effects of glitches on the power supply line. Fast switching signals like clocks should be shielded with digital ground to avoid radiating noise to other sections of the board. Avoid crossover of digital and analog signals. Traces on opposite sides of the board should run at right angles to each other. This will reduce the effects of feedthrough through the board. A microstrip technique is by far the best but is not always possible with a double-sided board. In this technique, the component side of the board is dedicated to ground planes while signals are placed on the other side.

Good decoupling is important. The analog and digital supplies to the AD9830 are independent and separately pinned out to minimize coupling between analog and digital sections of the device. All analog and digital supplies should be decoupled to AGND and DGND respectively with 0.1 μF ceramic capacitors in parallel with 10 μF tantalum capacitors. To achieve the best from the decoupling capacitors, they should be placed as close as possible to the device, ideally right up against the device. In systems where a common supply is used to drive both the AVDD and DVDD of the AD9830, it is recommended that the system's AVDD supply be used. This supply should have the recommended analog supply decoupling between the AVDD pins of the AD9830 and AGND and the recommended digital supply decoupling capacitors between the DVDD pins and DGND.

AD9830 Evaluation Board

The AD9830 Evaluation Board allows designers to evaluate the high performance AD9830 DDS Modulator with a minimum of effort.

To prove that this device will meet the user's waveform synthesis requirements, the user only requires a +5 V power supply, an IBM-compatible PC and a spectrum analyzer along with the evaluation board. The evaluation setup is shown below.

The DDS Evaluation kit includes a populated, tested AD9830 printed circuit board along with software which controls the AD9830 in a Windows environment.

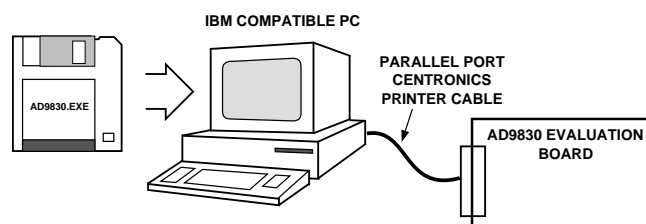


Figure 25. AD9830 Evaluation Board Setup

Using the AD9830 Evaluation Board

The AD9830 Evaluation kit is a test system designed to simplify the evaluation of the AD9830. Provisions to control the AD9830 from the printer port of an IBM-compatible PC are included along with the necessary software. An application note is also available with the evaluation board which gives information on operating the evaluation board.

Prototyping Area

An area is available on the evaluation board where the user can add additional circuits to the evaluation test set. Users may want to build custom analog filters for the outputs or add buffers and operational amplifiers which are to be used in the final application.

XO vs. External Clock

The AD9830 can operate with master clocks up to 50 MHz. A 50 MHz oscillator is included on the evaluation board. However, this oscillator can be removed and an external CMOS clock connected to the part, if required.

Power Supply

Power to the AD9830 evaluation board must be provided externally through the pin connections. The power leads should be twisted to reduce ground loops.

AD9830

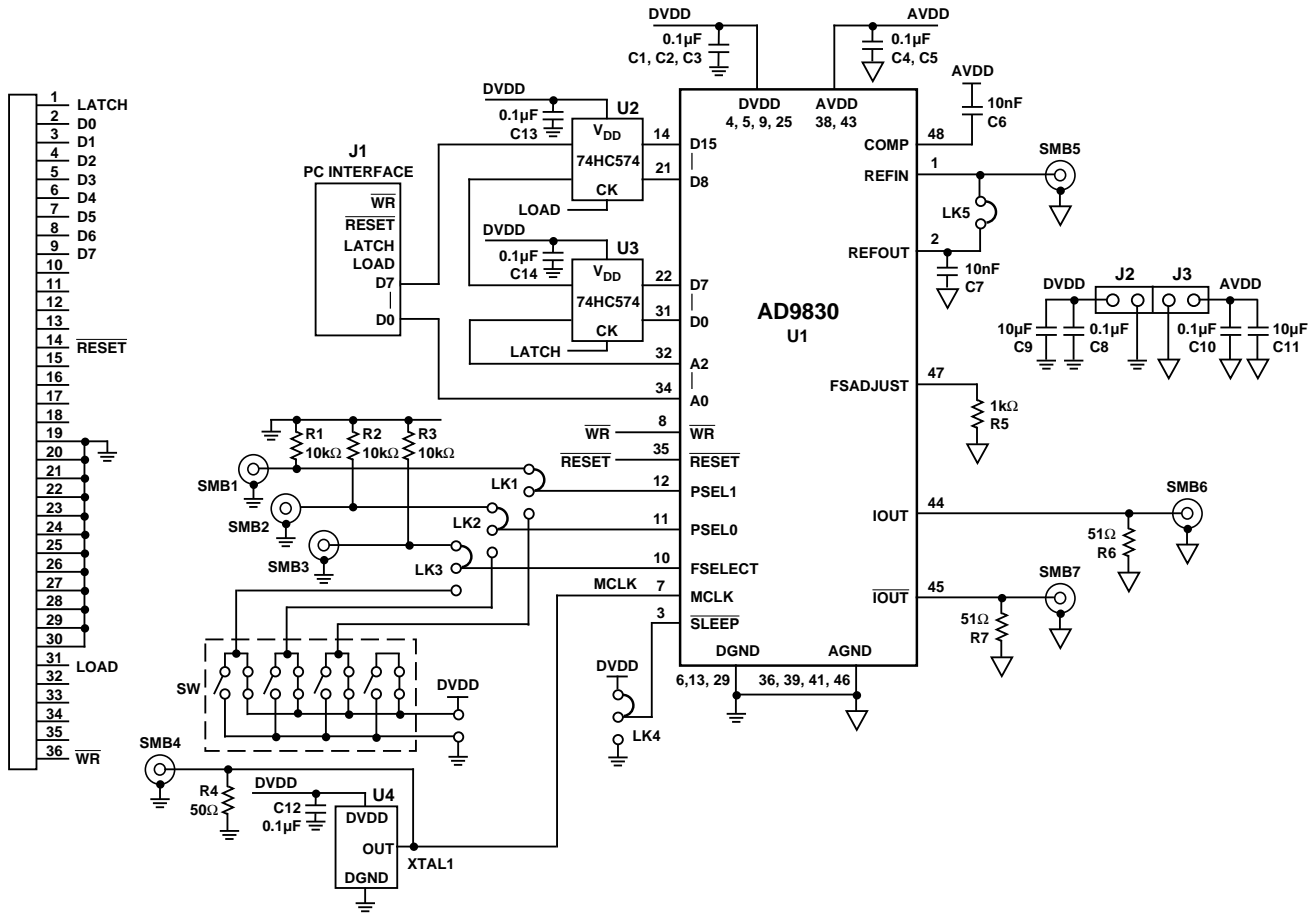


Figure 26. Evaluation Board Layout

COMPONENT LIST

Integrated Circuits

U1	AD9830 (48-Pin TQFP)
U2, U3	74HC574 Latches
XTAL1	OSC XTAL 50 MHz

Capacitors

C9, C11	10 μ F Tantalum Capacitor
C8, C10, C12-C14	0.1 μ F Ceramic Capacitor
C1-C5	0.1 μ F Ceramic Chip Capacitor
C6, C7	10 nF Ceramic Capacitor

Resistors

R5	1 k Ω Resistor
R6, R7	51 Ω Resistor
R4	50 Ω Resistor
R1-R3	10 k Ω Resistor

Links

LK5	Two Pin Link
LK1, LK2, LK3, LK4	Three Pin Link

Switch

SW	End Stackable Switch (SDC Double Throw)
----	---

Sockets

SMB1-SMB7	Sub-Miniature BNC Connector
-----------	-----------------------------

Connectors

J2, J3	PCB Mounting Terminal Block
J1	36-Pin Edge Connector

OUTLINE DIMENSIONS

Dimensions shown in inches and (mm).

**48-Lead TQFP
(ST-48)**

