



ACPI-Compliant High-Accuracy Microprocessor System Temperature Monitor

ADM1023*

FEATURES

- Next Generation Upgrade to ADM1021
- On-Chip and Remote Temperature Sensing
- Offset Registers for System Calibration
- 1°C Accuracy and Resolution on Local Channel
- 0.125°C Resolution/1°C Accuracy on Remote Channel
- Programmable Over/Under Temperature Limits
- Programmable Conversion Rate
- Supports System Management Bus (SMBus) Alert
- 2-Wire SMBus Serial Interface
- 200 μ A Max Operating Current (0.25 Conversions/Seconds)
- 1 μ A Standby Current
- 3 V to 5.5 V Supply
- Small 16-Lead QSOP Package

APPLICATIONS

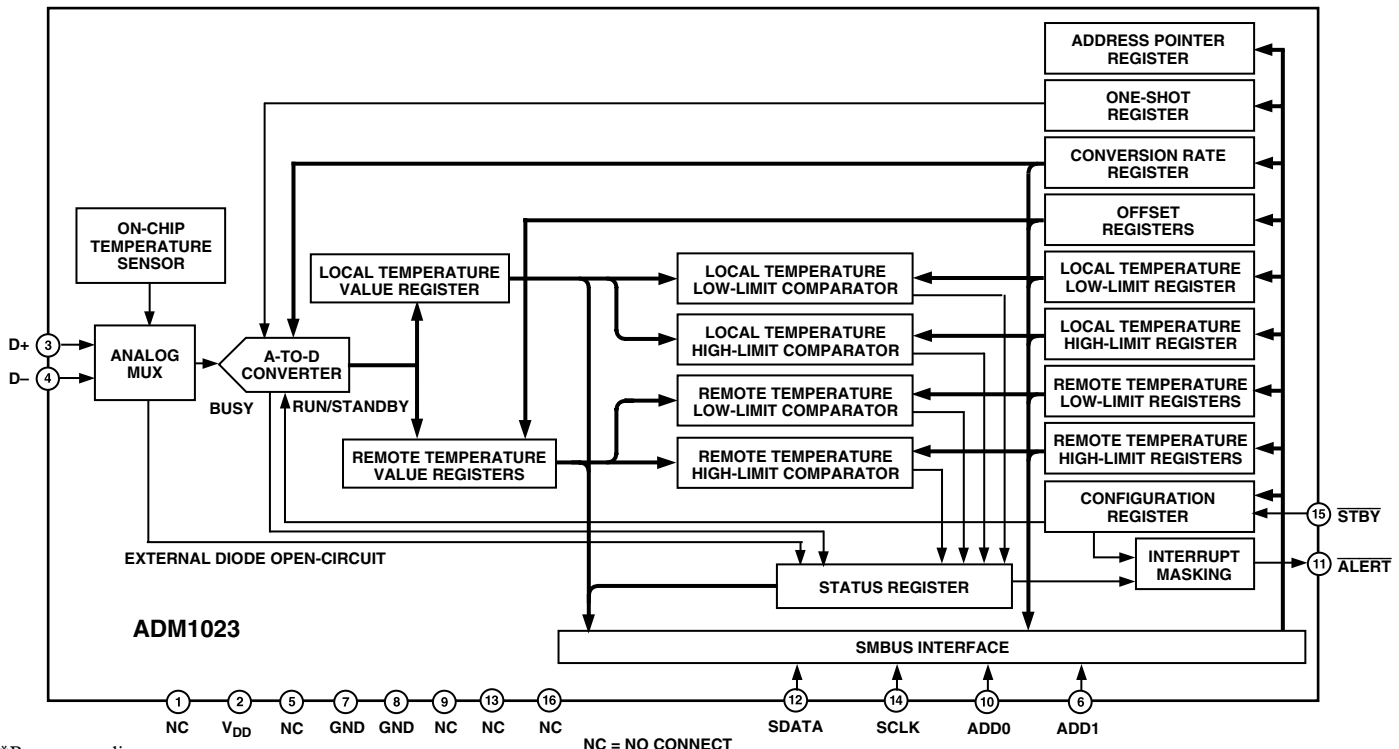
- Desktop Computers
- Notebook Computers
- Smart Batteries
- Industrial Controllers
- Telecomms Equipment
- Instrumentation

PRODUCT DESCRIPTION

The ADM1023 is a two-channel digital thermometer and under/over temperature alarm, intended for use in personal computers and other systems requiring thermal monitoring and management. Optimized for the Pentium® III; the higher accuracy offered allows systems designers to safely reduce temperature guard banding and increase system performance. The device can measure the temperature of a microprocessor using a diode-connected PNP transistor, which may be provided on-chip in the case of the Pentium III or similar processors, or can be a low cost discrete NPN/PNP device such as the 2N3904/2N3906. A novel measurement technique cancels out the absolute value of the transistor's base emitter voltage, so that no calibration is required. The second measurement channel measures the output of an on-chip temperature sensor, to monitor the temperature of the device and its environment.

The ADM1023 communicates over a 2-wire serial interface compatible with SMBus standards. Under and over temperature limits can be programmed into the device over the serial bus, and an ALERT output signals when the on-chip or remote temperature is out of range. This output can be used as an interrupt, or as an SMBus alert.

FUNCTIONAL BLOCK DIAGRAM



*Patents pending.

Pentium is a registered trademark of Intel Corporation.

REV. A

Information furnished by Analog Devices is believed to be accurate and reliable. However, no responsibility is assumed by Analog Devices for its use, nor for any infringements of patents or other rights of third parties which may result from its use. No license is granted by implication or otherwise under any patent or patent rights of Analog Devices.

One Technology Way, P.O. Box 9106, Norwood, MA 02062-9106, U.S.A.
 Tel: 781/329-4700 World Wide Web Site: <http://www.analog.com>
 Fax: 781/326-8703 © Analog Devices, Inc., 2000

ADM1023—SPECIFICATIONS ($T_A = T_{MIN}$ to T_{MAX} ¹, $V_{DD} = 3.0$ V to 3.6 V, unless otherwise noted)

Parameter	Min	Typ	Max	Unit	Test Conditions/Comments
POWER SUPPLY AND ADC					
Temperature Resolution, Local Sensor	1			°C	Guaranteed No Missed Codes
Temperature Resolution, Remote Sensor	0.125			°C	Guaranteed No Missed Codes
Temperature Error, Local Sensor	-1.5	±0.5	+1.5	°C	$T_A = 60^\circ\text{C}$ to 100°C
	-3	±1	+3	°C	$T_A = 0^\circ\text{C}$ to 120°C
Temperature Error, Remote Sensor	-1		+1	°C	$T_A, T_D = 60^\circ\text{C}$ to 100°C (Note 2)
	-3		+3	°C	$T_A, T_D = 0^\circ\text{C}$ to 120°C (Note 2)
Relative Accuracy			0.25	°C	$T_A = 60^\circ\text{C}$ to 100°C
Supply Voltage Range	3		3.6	V	Note 3
Undervoltage Lockout Threshold	2.55	2.7	2.8	V	V_{DD} Input, Disables ADC, Rising Edge
Undervoltage Lockout Hysteresis		25		mV	
Power-On Reset Threshold	0.9	1.7	2.2	V	V_{DD} , Falling Edge (Note 4)
POR Threshold Hysteresis		50		mV	
Standby Supply Current		1	5	µA	$V_{DD} = 3.3$ V, No SMBus Activity
		4		µA	SCLK at 10 kHz
Average Operating Supply Current		130	200	µA	0.25 Conversions/Sec Rate
Autoconvert Mode, Averaged Over 4 Sec		225	330	µA	2 Conversions/Sec Rate
Conversion Time	65	115	170	ms	From Stop Bit to Conversion Complete (Both Channels)
					D+ Forced to D- + 0.65 V
Remote Sensor Source Current	120	205	300	µA	High Level (Note 4)
	7	12	16	µA	Low Level (Note 4)
D-Source Voltage		0.7		V	
Address Pin Bias Current (ADD0, ADD1)		50		µA	Momentary at Power-On Reset
SMBus INTERFACE					
Logic Input High Voltage, V_{IH} STBY, SCLK, SDATA	2.2			V	$V_{DD} = 3$ V to 5.5 V
Logic Input Low Voltage, V_{IL} STBY, SCLK, SDATA			0.8	V	$V_{DD} = 3$ V to 5.5 V
SMBus Output Low Sink Current	6			mA	SDATA Forced to 0.6 V
ALERT Output Low Sink Current	1			mA	ALERT Forced to 0.4 V
Logic Input Current, I_{IH}, I_{IL}	-1		+1	µA	
SMBus Input Capacitance, SCLK, SDATA		5		pF	
SMBus Clock Frequency			100	kHz	
SMBus Clock Low Time, t_{LOW}	4.7			µs	t_{LOW} Between 10% Points
SMBus Clock High Time, t_{HIGH}	4			ns	t_{HIGH} Between 90% Points
SMBus Start Condition Setup Time, $t_{SU:STA}$	4.7			ns	
SMBus Start Condition Hold Time, $t_{HD:STA}$	4			ns	Time from 10% of SDATA to 90% of SCLK
SMBus Stop Condition Setup Time, $t_{SU:STO}$	4			ns	Time from 90% of SCLK to 10% of SDATA
SMBus Data Valid to SCLK	250			ns	Time for 10% or 90% of SDATA to 10% of SCLK
Rising Edge Time, $t_{SU:DAT}$				µs	
SMBus Data Hold Time, $t_{HD:DAT}$	0			µs	
SMBus Bus Free Time, t_{BUF}	4.7			µs	Between Start/Stop Condition
SCLK Falling Edge to SDATA			1	µs	Master Clocking in Data
Valid Time, $t_{VD:DAT}$					
SMBus Leakage Current			5	µA	$V_{DD} = 0$ V

NOTES

¹ $T_{MAX} = 120^\circ\text{C}$, $T_{MIN} = 0^\circ\text{C}$.

² T_D is temperature of remote thermal diode; $T_A, T_D = 60^\circ\text{C}$ to 100°C .

³Operation at $V_{DD} = 5$ V guaranteed by design, not production tested.

⁴Guaranteed by design, not production tested.

Specifications subject to change without notice.

ABSOLUTE MAXIMUM RATINGS*

Positive Supply Voltage (V_{DD}) to GND	-0.3 V to +6 V
D+, ADD0, ADD1	-0.3 V to $V_{DD} + 0.3$ V
D- to GND	-0.3 V to +0.6 V
SCLK, SDATA, $\overline{\text{ALERT}}$, $\overline{\text{STBY}}$	-0.3 V to +6 V
Input Current	± 50 mA
Input Current, D-	± 1 mA
ESD Rating, all pins (Human Body Model)	2000 V
Continuous Power Dissipation		
Up to 70°C	650 mW
Derating Above 70°C	6.7 mW/°C
Operating Temperature Range	-55°C to +125°C
Maximum Junction Temperature (T_J max)	150°C
Storage Temperature Range	-65°C to +150°C
Lead Temperature (Soldering 10 sec)	300°C
IR Reflow Peak Temperature	220°C

*Stresses above those listed under Absolute Maximum Ratings may cause permanent damage to the device. This is a stress rating only; functional operation of the device at these or any other conditions above those indicated in the operational section of this specification is not implied. Exposure to absolute maximum rating conditions for extended periods may affect device reliability.

THERMAL CHARACTERISTICS

16-Lead QSOP Package

$$\theta_{JA} = 105^\circ\text{C/W}$$

$$\theta_{JC} = 39^\circ\text{C/W}$$

ORDERING GUIDE

Model	Temperature Range	Package Description	Package Option
ADM1023ARQ	0°C to 120°C	16-Lead QSOP	RQ-16

PIN FUNCTION DESCRIPTIONS

Pin No.	Mnemonic	Description
1, 5, 9, 13, 16	NC	No Connect.
2	V_{DD}	Positive supply, 3 V to 5.5 V.
3	D+	Positive connection to remote temperature sensor.
4	D-	Negative connection to remote temperature sensor.
6	ADD1	Three-state logic input, higher bit of device address.
7, 8	GND	Supply 0 V connection.
10	ADD0	Three-state logic input, lower bit of device address.
11	$\overline{\text{ALERT}}$	Open-drain logic output used as interrupt or SMBus alert.
12	SDATA	Logic input/output, SMBus serial data. Open-drain output.
14	SCLK	Logic input, SMBus serial clock.
15	$\overline{\text{STBY}}$	Logic input selecting normal operation (high) or standby mode (low).

PIN CONFIGURATION

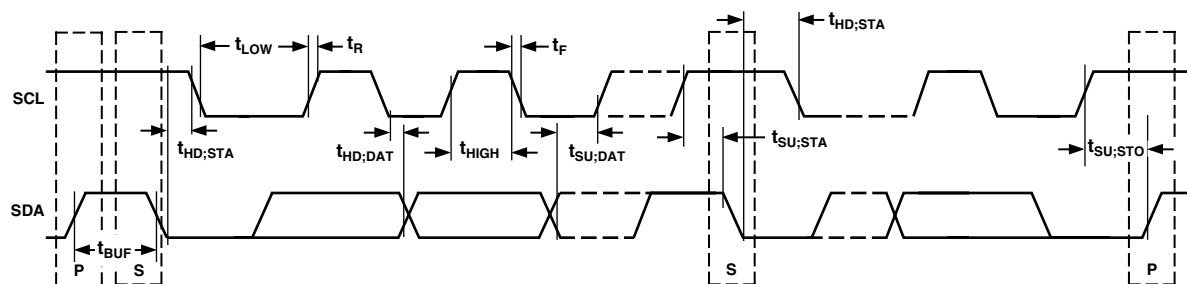
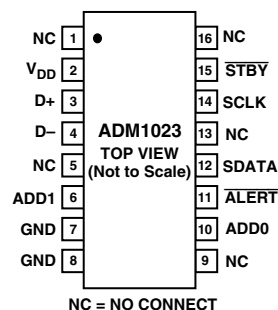


Figure 1. Diagram for Serial Bus Timing

ADM1023—Typical Performance Characteristics

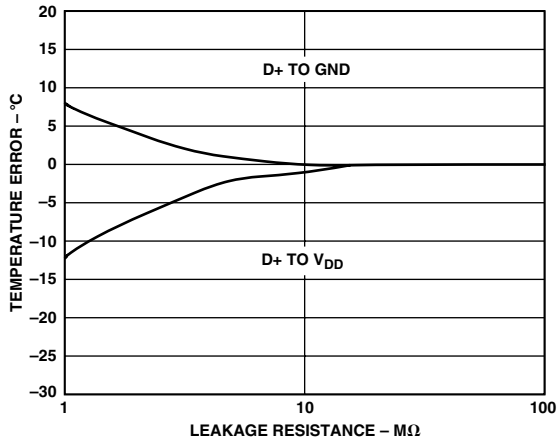


Figure 2. Temperature Error vs. Resistance from Track to V_{DD} and GND

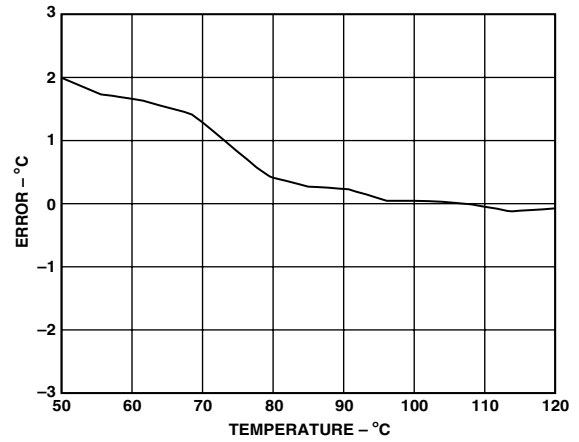


Figure 5. Temperature Error of ADM1023 vs. Pentium III Temperature

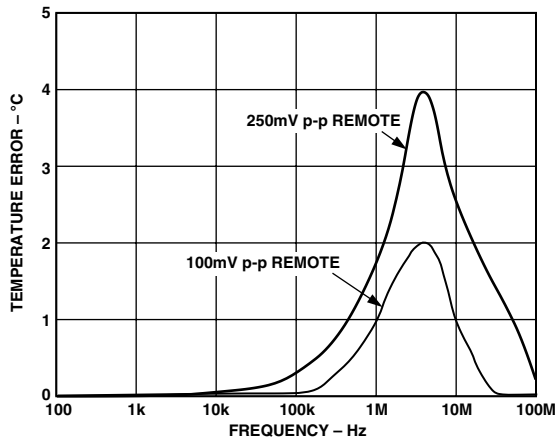


Figure 3. Remote Temperature Error vs. Supply Noise Frequency

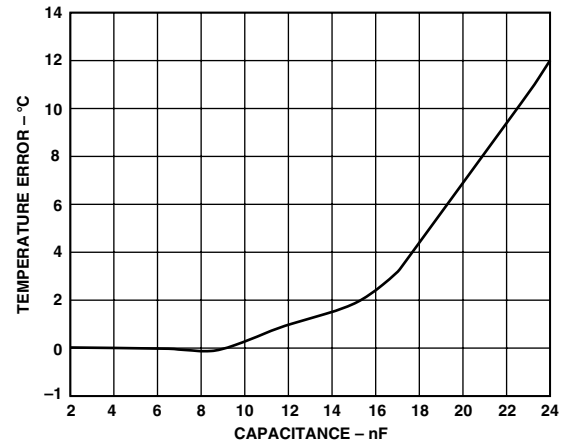


Figure 6. Temperature Error vs. Capacitance Between D+ and D-

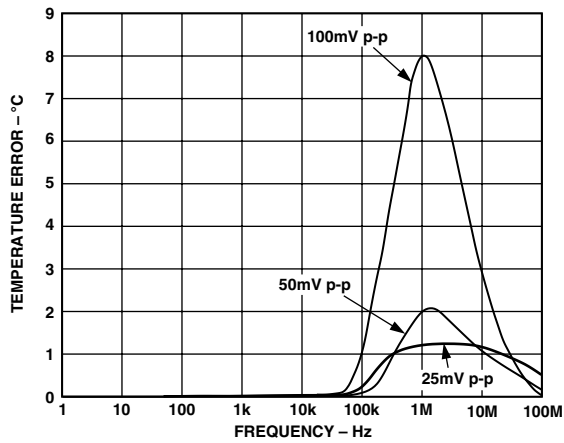


Figure 4. Temperature Error vs. Common-Mode Noise Frequency

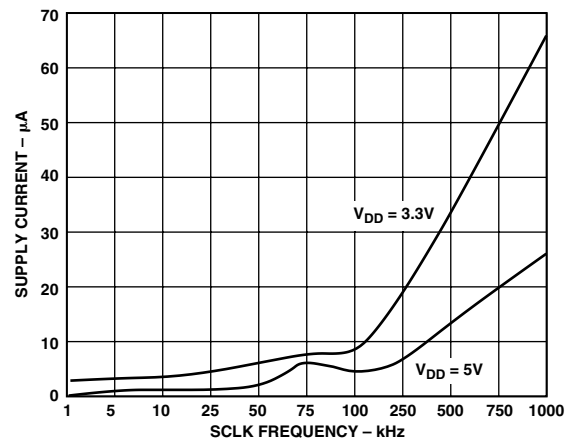


Figure 7. Standby Supply Current vs. SCLK Frequency

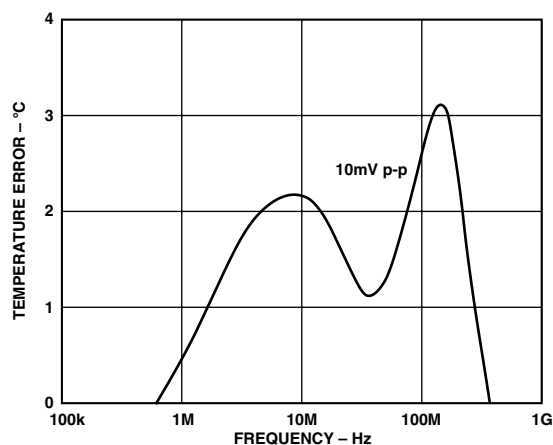


Figure 8. Temperature Error vs. Differential-Mode Noise Frequency

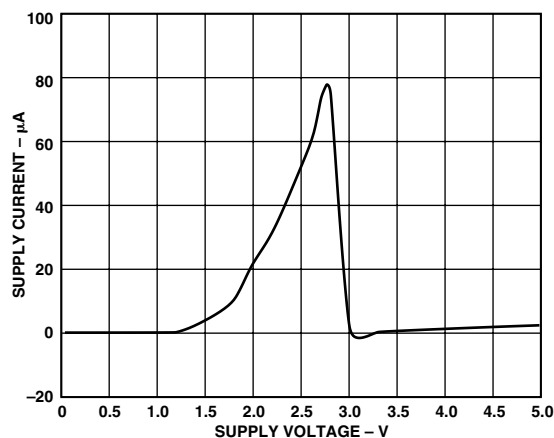


Figure 10. Standby Supply Current vs. Supply Voltage

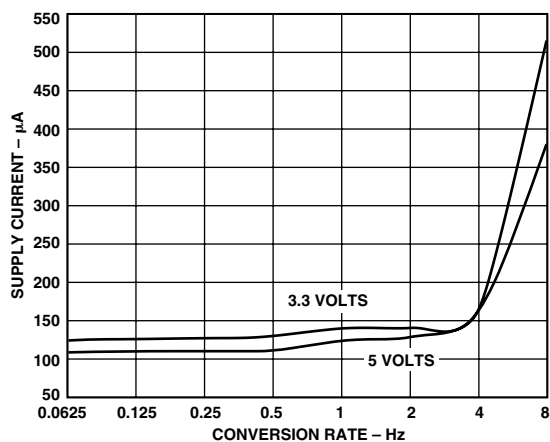


Figure 9. Operating Supply Current vs. Conversion Rate, $V_{DD} = 5\text{ V}$ and 3 V

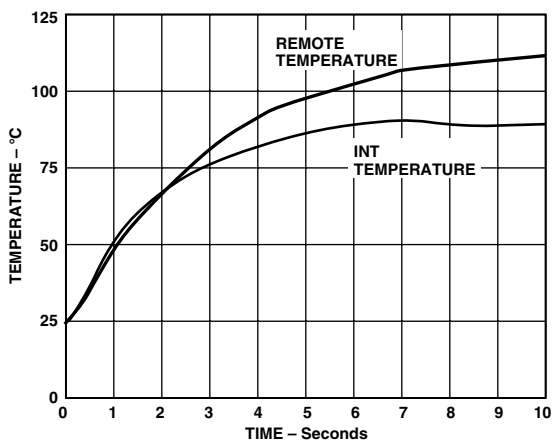


Figure 11. Response to Thermal Shock

FUNCTIONAL DESCRIPTION

The ADM1023 contains a two-channel, A-to-D converter with special input-signal conditioning to enable operation with remote and on-chip diode temperature sensors. When the ADM1023 is operating normally, the A-to-D converter operates in a free-running mode. The analog input multiplexer alternately selects either the on-chip temperature sensor to measure its local temperature, or the remote temperature sensor. These signals are digitized by the ADC and the results are stored in the Local and Remote Temperature Value Registers. Only the eight most significant bits of the local temperature value are stored as an 8-bit binary word. The remote temperature value is stored as an 11-bit, binary word in two registers. The eight MSBs are stored in the Remote Temperature Value High Byte Register at address 01h. The three LSBs are stored, left-justified, in the Remote Temperature Value High Byte Register at address 10h.

Error sources such as PCB track resistance and clock noise can introduce offset errors into measurements on the Remote Channel. To achieve the specified accuracy on this channel, these offsets must be removed, and two Offset Registers are provided for this purpose at addresses 11h and 12h.

An offset value may automatically be added to or subtracted from the measurement by writing an 11 bit, two's complement

value to registers 11h (high byte) and 12h (low byte, left-justified).

The offset registers default to zero at power-up and will have no effect if nothing is written to them.

The measurement results are compared with Local and Remote, High and Low Temperature Limits, stored in six on-chip Limit Registers. As with the measured value, the local temperature limits are stored as 8-bit values and the remote temperature limits as 11-bit values. Out-of-limit comparisons generate flags that are stored in the status register, and one or more out-of-limit results will cause the ALERT output to pull low.

Registers can be programmed, and the device controlled and configured, via the serial System Management Bus. The contents of any register can also be read back via the SMBus.

Control and configuration functions consist of:

- Switching the device between normal operation and standby mode.
- Masking or enabling the $\overline{\text{ALERT}}$ output.
- Selecting the conversion rate.

On initial power-up the remote and local temperature values default to -128°C . Since the device normally powers up converting, a measure of local and remote temperature is made and these

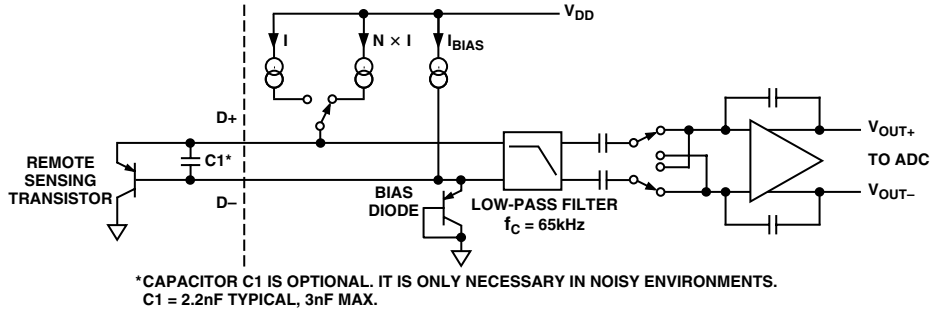


Figure 12. Input Signal Conditioning

values are then stored before a comparison with the stored limits is made. However, if the part is powered up in standby mode (STBY pin pulled low), no new values are written to the register before a comparison is made. As a result, both RLOW and LLOW are tripped in the Status Register thus generating an $\overline{\text{ALERT}}$ output. This may be cleared in one of two ways:

1. Change both the local and remote lower limits to -128°C and read the status register (which in turn clears the $\overline{\text{ALERT}}$ output).
2. Take the part out of standby and read the status register (which in turn clears the $\overline{\text{ALERT}}$ output). This will work only if the measured values are within the limit values.

MEASUREMENT METHOD

A simple method of measuring temperature is to exploit the negative temperature coefficient of a diode, or the base-emitter voltage of a transistor, operated at constant current. Thus, the temperature may be obtained from a direct measurement of V_{BE} where,

$$V_{BE} = \frac{nKT}{q} \times \ln \frac{I_C}{I_S} \quad (1)$$

Unfortunately, this technique requires calibration to null out the effect of the absolute value of V_{BE} , which varies from device to device.

The technique used in the ADM1023 is to measure the change in V_{BE} when the device is operated at two different collector currents.

This is given by:

$$\Delta V_{BE} = \frac{nKT}{q} \times \ln(N) \quad (2)$$

where:

- K is Boltzmann's constant
- q is charge on the electron (1.6×10^{-19} Coulombs)
- T is absolute temperature in Kelvins
- N is ratio of the two collector currents
- n is the ideality factor of the thermal diode (TD)

To measure ΔV_{BE} , the sensor is switched between operating currents of I and NI . The resulting waveform is passed through a low-pass filter to remove noise, then to a chopper-stabilized amplifier that performs the functions of amplification and rectification of the waveform to produce a dc voltage proportional to ΔV_{BE} . This voltage is measured by the ADC, which gives a temperature output in binary format. To further reduce the effects of noise, digital filtering is performed by averaging the results of 16 measurement cycles. Signal conditioning and measurement of the internal temperature sensor is performed in a similar manner.

Figure 12 shows the input signal conditioning used to measure the output of an external temperature sensor. This figure shows the external sensor as a substrate PNP transistor, provided for temperature monitoring on some microprocessors, but it could equally well be a discrete transistor. If a discrete transistor is used, the collector will not be grounded and should be linked to the base. To prevent ground noise from interfering with the measurement, the more negative terminal of the sensor is not referenced to ground, but is biased above ground by an internal diode at the D- input. If the sensor is operating in a noisy environment, C1 may optionally be added as a noise filter. Its value is typically 2200 pF, but should be no more than 3000 pF. See the section on Layout Considerations for more information on C1.

SOURCES OF ERRORS ON THERMAL TRANSISTOR MEASUREMENT METHOD

EFFECT OF IDEALITY FACTOR (n)

The effects of ideality factor (n) and beta (Beta) of the temperature measured by a thermal transistor are discussed below. For a thermal transistor implemented on a submicron process, such as the substrate PNP used on a Pentium III processor, the temperature errors due to the combined effect of the ideality factor and beta are shown to be less than 3°C . Equation 2 is optimized for a substrate PNP transistor (used as a thermal diode) usually found on CPUs designed on submicron CMOS processes such as the Pentium III Processor. There is a thermal diode on board each of these processors. The n in the Equation 2 represents the ideality factor of this thermal diode. This ideality factor is a measure of the deviation of the thermal diode from ideal behavior.

According to Pentium III Processor manufacturing specifications, measured values of n at 100°C are:

$$n_{MIN} = 1.0057 < n_{TYPICAL} = 1.008 < n_{MAX} = 1.0125$$

The ADM1023 takes this ideality factor into consideration when calculating temperature T_{TD} of the thermal diode. The ADM1023 is optimized for $n_{TYPICAL} = 1.008$; any deviation on n from this typical value causes a temperature error that is calculated below for the n_{MIN} and n_{MAX} of a Pentium III Processor at $T_{TD} = 100^{\circ}\text{C}$,

$$\Delta T_{MIN} = \frac{1.0057 - 1.008}{1.008} \times (273.15 \text{ Kelvin} + 100^{\circ}\text{C}) = -0.85^{\circ}\text{C}$$

$$\Delta T_{MAX} = \frac{1.0125 - 1.008}{1.008} \times (273.15 \text{ Kelvin} + 100^{\circ}\text{C}) = +1.67^{\circ}\text{C}$$

Thus, the temperature error due variation on n of the thermal diode for Pentium III Processor is about 2.5°C .

In general, this additional temperature error of the thermal diode measurement due to deviations on n from its typical value is given by,

$$\Delta T = \frac{n - 1.008}{1.008} \times (273.15 \text{ Kelvin} + T_{TD}), \text{ where } T_{TD} \text{ is in } ^\circ\text{C}$$

BETA OF THERMAL TRANSISTOR (β)

On Figure 12, the thermal diode is a substrate PNP transistor where the emitter current is being forced into the device. The derivation of Equation 2 above assumed that the collector currents scaled by “N” as the emitter currents were also scaled by “N.” In other words, this assumes that beta (β) of the transistor is constant for various collector currents. The plot below shows typical beta variation versus collector current for Pentium III Processors at 100°C. The maximum beta is 4.5 and varies less than 1% over the collector current range from 7 μA to 300 μA .

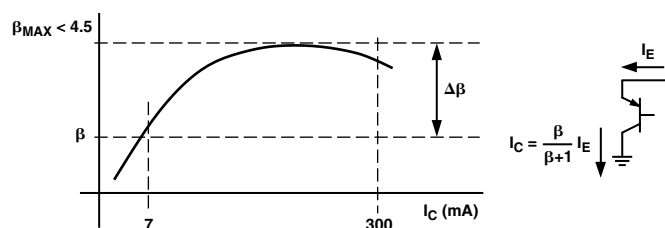


Figure 13. Variation of β with Collector Currents

Expressing the collector current in terms of the emitter current, $I_C = I_E [\beta / (\beta + 1)]$ where $\beta(300 \mu\text{A}) = \beta(7 \mu\text{A})(1 + \epsilon)$, $\epsilon = \Delta\beta / \beta$ and $\beta = \beta(7 \mu\text{A})$. Rewriting the equation for ΔV_{BE} , to include the ideality factor “n” and beta “ β ” we have,

$$\Delta V_{BE} = \frac{nKT}{q} \times \ln \left[\frac{(1 + \epsilon) \times (\beta + 1)}{(1 + \epsilon) \beta + 1} \times N \right] \quad (3)$$

Beta variations of less than 1% ($\epsilon < 0.01$) contribute to temperature errors of less than 0.4°C.

TEMPERATURE DATA FORMAT

One LSB of the ADC corresponds to 0.125°C, so the ADM1023 can measure from 0°C to 127.875°C. The temperature data format is shown in Tables I and II.

Table I. Temperature Data Format (Local Temperature and Remote Temperature High Byte)

Temperature (°C)	Digital Output
0	0 000 0000
1	0 000 0001
10	0 000 1010
25	0 001 1001
50	0 011 0010
75	0 100 1011
100	0 110 0100
125	0 111 1101
127	0 111 1111

Note: The ADM1023 differs from the ADM1021 in that the temperature resolution of the remote channel is improved from 1°C to 0.125°C, but it cannot measure temperatures below 0°C. If negative temperature measurement is required, the ADM1021 should be used.

The results of the local and remote temperature measurements are stored in the local and remote temperature value registers, and are compared with limits programmed into the local and remote high and low limit registers.

Table II. Extended Temperature Resolution (Remote Temperature Low Byte)

Extended Resolution (°C)	Remote Temperature Low Byte
0.000	0000 0000
0.125	0010 0000
0.250	0100 0000
0.375	0110 0000
0.500	1000 0000
0.625	1010 0000
0.750	1100 0000
0.875	1110 0000

REGISTER FUNCTIONS

The ADM1023 contains registers that are used to store the results of remote and local temperature measurements, high and low temperature limits, and to configure and control the device. A description of these registers follows, and further details are given in Tables III to VII. It should be noted that most of the ADM1023’s registers are dual port, and have different addresses for read and write operations. Attempting to write to a read address, or to read from a write address, will produce an invalid result. Register addresses above 14h are reserved for future use or used for factory test purposes and should not be written to.

Address Pointer Register

The Address Pointer Register itself does not have, nor does it require, an address, as it is the register to which the first data byte of every Write operation is written automatically. This data byte is an address pointer that sets up one of the other registers for the second byte of the Write operation, or for a subsequent read operation.

Value Registers

The ADM1023 has three registers to store the results of Local and Remote temperature measurements. These registers are written to by the ADC and can only be read over the SMBus.

The Offset Register

Two offset registers are provided at addresses 11h and 12h. These are provided so that the user may remove errors from the measured values of remote temperature. These errors may be introduced by clock noise and PCB track resistance.

The offset value is stored as an 11-bit, two’s complement value in Registers 11h (high byte) and 12h (low byte, left-justified). The value of the offset is negative if the MSB of 11h is 1 and is positive if the MSB of 11h is 0. This value is added to the remote temperature. These registers default to zero at power-up and will have no effect if nothing is written to them. The offset register can accept values from -128.875°C to +127.875°C. The ADM1023 detects overflow so the remote temperature value register won’t wrap around +127°C or -128°C. Table IV contains a set of example offset values.

Table III. List of ADM1023 Registers

READ Address (Hex)	WRITE Address (Hex)	Name	Power-On Default
Not Applicable	Not Applicable	Address Pointer	Undefined
00	Not Applicable	Local Temperature Value	1000 0000 (80h) (-128°C)
01	Not Applicable	Remote Temperature Value High Byte	1000 0000 (80h) (-128°C)
02	Not Applicable	Status	Undefined
03	09	Configuration	0000 0000 (00h)
04	0A	Conversion Rate	0000 0010 (02h)
05	0B	Local Temperature High Limit	0111 1111 (7Fh) (+127°C)
06	0C	Local Temperature Low Limit	1100 1001 (C9h) (-55°C)
07	0D	Remote Temperature High Limit High Byte	0111 1111 (7Fh) (+127°C)
08	0E	Remote Temperature Low Limit High Byte	1100 1001 (C9h) (-55°C)
Not Applicable	0F ¹	One-Shot	
10	Not Applicable	Remote Temperature Value Low Byte	0000 0000
11	11	Remote Temperature Offset High Byte	0000 0000
12	12	Remote Temperature Offset Low Byte	0000 0000
13	13	Remote Temperature High Limit Low Byte	0000 0000
14	14	Remote Temperature Low Limit Low Byte	0000 0000
19	Not Applicable	Reserved	0000 0000
20	21	Reserved	Undefined
FE	Not Applicable	Manufacturer Device ID	0100 0001 (41h)
FF	Not Applicable	Die Revision Code	0011 xxxx (3xh)

NOTE

¹Writing to address 0F causes the ADM1023 to perform a single measurement. It is not a data register as such and it does not matter what data is written to it.

Table IV.

Offset Registers		Offset Value	Remote Temperature (Including Offset)	Remote Temperature (Without Offset)
11h	12h			
1111 1100	0000 0000	-4°C	14°C	18°C
1111 1111	0000 0000	-1°C	17°C	18°C
1111 1111	1110 0000	-0.125°C	17.875°C	18°C
0000 0000	0000 0000	0°C	18°C	18°C
0000 0000	0010 0000	+0.125°C	18.125°C	18°C
0000 0001	0000 0000	+1°C	19°C	18°C
0000 0100	0000 0000	+4°C	22°C	18°C

Status Register

Bit 7 of the Status Register indicates that the ADC is busy converting when it is high. Bits 6 to 3 are flags that indicate the results of the limit comparisons.

If the local and/or remote temperature measurement is above the corresponding high temperature limit, or below the corresponding low temperature limit, one or more of these flags will be set. Bit 2 is a flag that is set if the remote temperature sensor is open-circuit. These five flags are NOR'd together, so that if any of them are high, the $\overline{\text{ALERT}}$ interrupt latch will be set and the $\overline{\text{ALERT}}$ output will go low. Reading the Status Register will clear the five flag bits, provided the error conditions that caused the flags to be set have gone away. While a limit comparator is tripped due to a value register containing an out-of-limit measurement, or the sensor is open-circuit, the corresponding flag bit cannot be reset. A flag bit can only be reset if the corresponding value register contains an in-limit measurement, or the sensor is good.

The $\overline{\text{ALERT}}$ interrupt latch is not reset by reading the Status Register, but will be reset when the $\overline{\text{ALERT}}$ output has been serviced by the master reading the device address, provided the error condition has gone away and the Status Register flag bits have been reset.

Table V. Status Register Bit Assignments

Bit	Name	Function
7	BUSY	1 When ADC Converting.
6	LHIGH*	1 When Local High Temp Limit Tripped.
5	LLOW*	1 When Local Low Temp Limit Tripped.
4	RHIGH*	1 When Remote High Temp Limit Tripped.
3	RLOW*	1 When Remote Low Temp Limit Tripped.
2	OPEN*	1 When Remote Sensor Open-Circuit.
1-0		Reserved.

*These flags stay high until the status register is read or they are reset by POR.

Configuration Register

Two bits of the configuration register are used. If Bit 6 is 0, which is the power-on default, the device is in operating mode with the ADC converting. If Bit 6 is set to 1, the device is in standby mode and the ADC does not convert. Standby mode can also be selected by taking the $\overline{\text{STBY}}$ pin low. In standby mode the values of remote and local temperature remain at the value they were before the part was placed in standby.

Bit 7 of the configuration register is used to mask the $\overline{\text{ALERT}}$ output. If Bit 7 is 0, which is the power-on default, the $\overline{\text{ALERT}}$ output is enabled. If Bit 7 is set to 1, the $\overline{\text{ALERT}}$ output is disabled.

Table VI. Configuration Register Bit Assignments

Bit	Name	Function	Power-On Default
7	MASK1	0 = $\overline{\text{ALERT}}$ Enabled 1 = $\overline{\text{ALERT}}$ Masked	0
6	$\overline{\text{RUN/STOP}}$	0 = Run 1 = Standby	0
5–0		Reserved	0

Conversion Rate Register

The lowest three bits of this register are used to program the conversion rate by dividing the ADC clock by 1, 2, 4, 8, 16, 32, 64, or 128, to give conversion times from 125 ms (Code 07h) to 16 seconds (Code 00h). This register can be written to and read back over the SMBus. The higher five bits of this register are unused and must be set to zero. Use of slower conversion times greatly reduces the device power consumption, as shown in Table VII.

Table VII. Conversion Rate Register Codes

Data	Conversion/sec	Average Supply Current $\mu\text{A Typ at } V_{\text{CC}} = 3.3 \text{ V}$
00h	0.0625	150
01h	0.125	150
02h	0.25	150
03h	0.5	150
04h	1	150
05h	2	150
06h	4	160
07h	8	180
08h to FFh	Reserved	

Limit Registers

The ADM1023 has six limit registers to store local and remote, high and low temperature limits. These registers can be written to and read back, over the SMBus. The high limit registers perform a > comparison while the low limit registers perform a < comparison. For example, if the high limit register is programmed as a limit of 80°C, measuring 81°C will result in an alarm condition. Even though the temperature range is 0 to 127°C, it is possible to program the Limit Register with negative values. This is for backwards-compatibility with the ADM1021.

One-Shot Register

The one-shot register is used to initiate a single conversion and comparison cycle when the ADM1023 is in standby mode, after which the device returns to standby. This is not a data register as such and it is the write operation that causes the one-shot conversion. The data written to this address is irrelevant and is not stored.

SERIAL BUS INTERFACE

Control of the ADM1023 is carried out via the serial bus. The ADM1023 is connected to this bus as a slave device, under the control of a master device.

ADDRESS PINS

In general, every SMBus device has a 7-bit device address (except for some devices that have extended, 10-bit addresses). When the master device sends a device address over the bus, the slave device with that address will respond. The ADM1023 has two address pins, ADD0 and ADD1, to allow selection of the device address, so that several ADM1023s can be used on the same bus,

and/or to avoid conflict with other devices. Although only two address pins are provided, these are three-state, and can be grounded, left unconnected, or tied to V_{DD} , so that a total of nine different addresses are possible, as shown in Table VIII.

It should be noted that the state of the address pins is only sampled at power-up, so changing them after power-up will have no effect.

Table VIII. Device Addresses

ADD0	ADD1	Device Address
0	0	0011 000
0	NC	0011 001
0	1	0011 010
NC	0	0101 001
NC	NC	0101 010
NC	1	0101 011
1	0	1001 100
1	NC	1001 101
1	1	1001 110

ADD0, ADD1 sampled at power-up only.

The serial bus protocol operates as follows:

1. The master initiates data transfer by establishing a START condition, defined as a high-to-low transition on the serial data line SDATA, while the serial clock line SCLK remains high. This indicates that an address/data stream will follow. All slave peripherals connected to the serial bus respond to the START condition and shift in the next eight bits, consisting of a 7-bit address (MSB first) plus an R/\overline{W} bit, which determines the direction of the data transfer, i.e., whether data will be written to or read from the slave device.
The peripheral whose address corresponds to the transmitted address responds by pulling the data line low during the low period before the ninth clock pulse, known as the Acknowledge Bit. All other devices on the bus now remain idle while the selected device waits for data to be read from or written to it. If the R/\overline{W} bit is a 0, the master will write to the slave device. If the R/\overline{W} bit is a 1, the master will read from the slave device.
2. Data is sent over the serial bus in sequences of nine clock pulses, eight bits of data followed by an acknowledge bit from the slave device. Transitions on the data line must occur during the low period of the clock signal and remain stable during the high period, as a low-to-high transition when the clock is high may be interpreted as a STOP signal. The number of data bytes that can be transmitted over the serial bus in a single READ or WRITE operation is limited only by what the master and slave devices can handle.
3. When all data bytes have been read or written, stop conditions are established. In WRITE mode, the master will pull the data line high during the 10th clock pulse to assert a STOP condition. In READ mode, the master device will override the acknowledge bit by pulling the data line high during the low period before the ninth clock pulse. This is known as No Acknowledge. The master will then take the data line low during the low period before the 10th clock pulse, then high during the 10th clock pulse to assert a STOP condition.

Any number of bytes of data may be transferred over the serial bus in one operation, but it is not possible to mix read and write in one operation, because the type of operation is determined at the beginning and cannot subsequently be changed without starting a new operation.

ADM1023

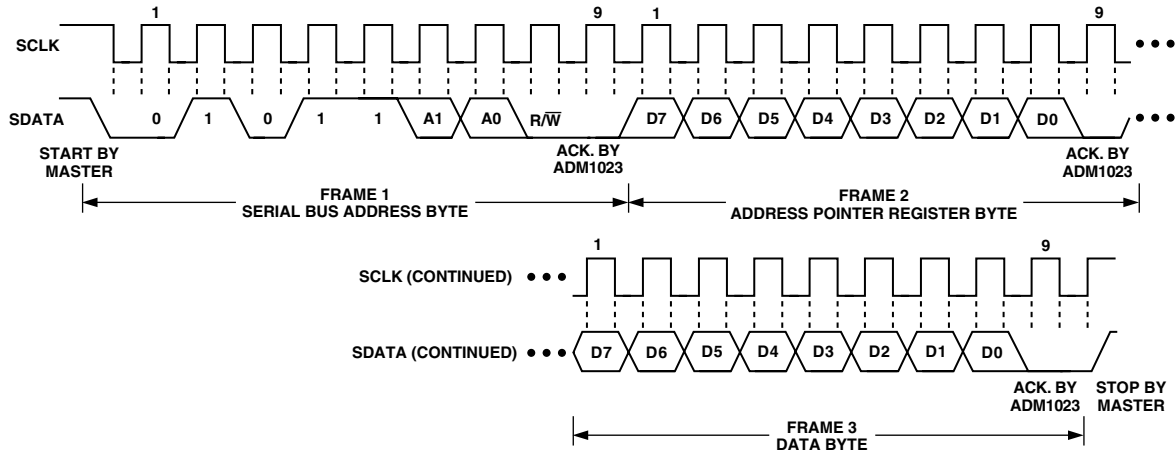


Figure 14. Writing a Register Address to the Address Pointer Register, then Writing Data to the Selected Register

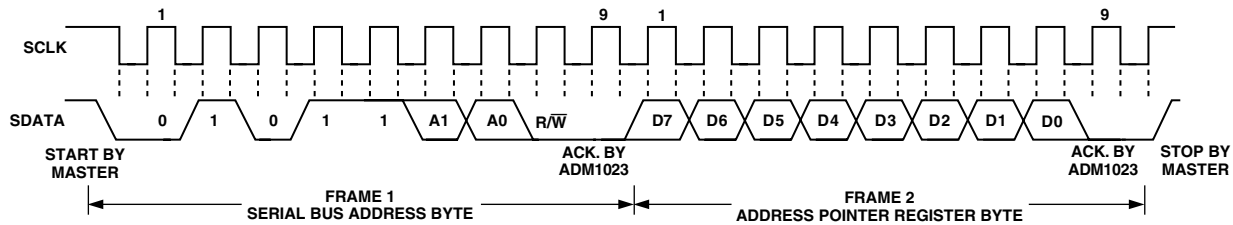


Figure 15. Writing to the Address Pointer Register Only

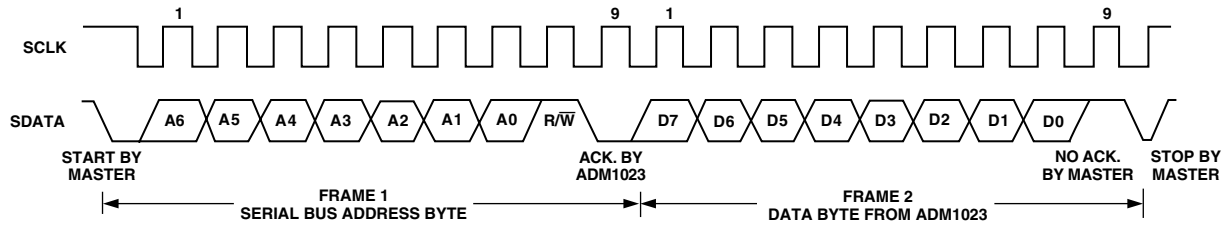


Figure 16. Reading Data from a Previously Selected Register

In the case of the ADM1023, write operations contain either one or two bytes, while read operations contain one byte and perform the following functions:

To write data to one of the device data registers or read data from it, the Address Pointer Register must be set so that the correct data register is addressed, then data can be written into that register or read from it. The first byte of a write operation always contains a valid address that is stored in the Address Pointer Register. If data is to be written to the device, the write operation contains a second data byte that is written to the register selected by the address pointer register.

This is illustrated in Figure 14. The device address is sent over the bus followed by R/W set to 0. This is followed by two data bytes. The first data byte is the address of the internal data register to be written to, which is stored in the Address Pointer Register. The second data byte is the data to be written to the internal data register.

When reading data from a register there are two possibilities:

1. If the ADM1023's Address Pointer Register value is unknown, or not the desired value, it is first necessary to set it to the correct value before data can be read from the desired data register. This is done by performing a write to the ADM1023

as before, but only the data byte containing the register read address is sent, as data is not to be written to the register. This is shown in Figure 15.

A read operation is then performed consisting of the serial bus address, R/W bit set to 1, followed by the data byte read from the data register. This is shown in Figure 15.

2. If the Address Pointer Register is known to be already at the desired address, data can be read from the corresponding data register without first writing to the Address Pointer Register, so Figure 15 can be omitted.

NOTES

1. Although it is possible to read a data byte from a data register without first writing to the Address Pointer Register, if the Address Pointer Register is already at the correct value, it is not possible to write data to a register without writing to the Address Pointer Register, because the first data byte of a write is always written to the Address Pointer Register.
2. Do not forget that ADM1023 registers have different addresses for read and write operations. The write address of a register must be written to the Address Pointer if data is to be written to that register, but it is not possible to read data from that address. The read address of a register must be written to the Address Pointer before data can be read from that register.

ALERT OUTPUT

The $\overline{\text{ALERT}}$ output goes low whenever an out-of-limit measurement is detected, or if the remote temperature sensor is open-circuit. It is an open-drain and requires a 10 k Ω pull-up to V_{DD} . Several $\overline{\text{ALERT}}$ outputs can be wire-AND'ed together, so that the common line will go low if one or more of the $\overline{\text{ALERT}}$ outputs goes low.

The $\overline{\text{ALERT}}$ output can be used as an interrupt signal to a processor, or it may be used as an $\overline{\text{SMBALERT}}$. Slave devices on the SMBus normally cannot signal to the master they want to talk, but the $\overline{\text{SMBALERT}}$ function allows them to do so.

One or more $\overline{\text{ALERT}}$ outputs are connected to a common $\overline{\text{SMBALERT}}$ line connected to the master. When the $\overline{\text{SMBALERT}}$ line is pulled low by one of the devices, the following procedure occurs as illustrated in Figure 17.

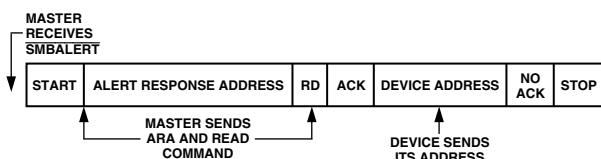


Figure 17. Use of $\overline{\text{SMBALERT}}$

1. $\overline{\text{SMBALERT}}$ pulled low.
2. Master initiates a read operation and sends the Alert Response Address (ARA = 0001 100). This is a general call address that must not be used as a specific device address.
3. The device whose $\overline{\text{ALERT}}$ output is low responds to the Alert Response Address and the master reads its device address. The address of the device is now known and it can be interrogated in the usual way.
4. If more than one device's $\overline{\text{ALERT}}$ output is low, the one with the lowest device address, will have priority, in accordance with normal SMBus arbitration.
5. Once the ADM1023 has responded to the Alert Response Address, it will reset its $\overline{\text{ALERT}}$ output, provided that the error condition that caused the $\overline{\text{ALERT}}$ no longer exists. If the $\overline{\text{SMBALERT}}$ line remains low, the master will send ARA again, and so on until all devices whose $\overline{\text{ALERT}}$ outputs were low have responded.

LOW POWER STANDBY MODES

The ADM1023 can be put into a low power standby mode using hardware or software, that is, by taking the $\overline{\text{STBY}}$ input low, or by setting Bit 6 of the Configuration Register. When $\overline{\text{STBY}}$ is high, or Bit 6 is low, the ADM1023 operates normally. When $\overline{\text{STBY}}$ is pulled low or Bit 6 is high, the ADC is inhibited, any conversion in progress is terminated without writing the result to the corresponding value register.

The SMBus is still enabled. Power consumption in the standby mode is reduced to less than 10 μA if there is no SMBus activity, or 100 μA if there are clock and data signals on the bus.

These two modes are similar but not identical. When $\overline{\text{STBY}}$ is low, conversions are completely inhibited. When Bit 6 is set but $\overline{\text{STBY}}$ is high, a one-shot conversion of both channels can be initiated by writing any data value to the One-Shot Register (Address 0Fh).

SENSOR FAULT DETECTION

The ADM1023 has a fault detector at the D+ input that detects if the external sensor diode is open-circuit. This is a simple voltage comparator that trips if the voltage at D+ exceeds $V_{\text{CC}} - 1\text{V}$ (typical). The output of this comparator is checked when a conversion is initiated, and sets Bit 2 of the Status Register if a fault is detected.

If the remote sensor voltage falls below the normal measuring range, for example, due to the diode being short-circuited, the ADC will output -128°C (1000 0000 000). Since the normal operating temperature range of the device only extends down to 0°C , this output code will never be seen in normal operation, so it can be interpreted as a fault condition.

In this respect, the ADM1023 differs from and improves upon competitive devices that output zero if the external sensor goes short-circuit. These devices can misinterpret a genuine 0°C measurement as a fault condition.

If the external diode channel is not being used and is shorted out, the resulting $\overline{\text{ALERT}}$ may be cleared by writing 80h (-128°C) to the low limit register.

APPLICATIONS INFORMATION FACTORS AFFECTING ACCURACY

Remote Sensing Diode

The ADM1023 is designed to work with substrate transistors built into processors, or with discrete transistors. Substrate transistors will generally be PNP types with the collector connected to the substrate. Discrete types can be either PNP or NPN, connected as a diode (base shorted to collector). If an NPN transistor is used then the collector and base are connected to D+ and the emitter to D-. If a PNP transistor is used, the collector and base are connected to D- and the emitter to D+.

The user has no choice in the case of substrate transistors, but if a discrete transistor is used, the best accuracy will be obtained by choosing devices according to the following criteria:

1. Base-emitter voltage greater than 0.25 V at 6 μA , at the highest operating temperature.
2. Base-emitter voltage less than 0.95 V at 100 μA , at the lowest operating temperature.
3. Base resistance less than 100 Ω .
4. Small variation in h_{fe} (say 50 to 150) which indicates tight control of V_{BE} characteristics.

Transistors such as 2N3904, 2N3906 or equivalents in SOT-23 package are suitable devices to use.

Thermal Inertia and Self-Heating

Accuracy depends on the temperature of the remote-sensing diode and/or the internal temperature sensor being at the same temperature as that being measured; and a number of factors can affect this. Ideally, the sensor should be in good thermal contact with the part of the system being measured, for example the processor. If it is not, the thermal inertia caused by the mass of the sensor will cause a lag in the response of the sensor to a temperature change. In the case of the remote sensor this should not be a problem, as it will be either a substrate transistor in the processor or a small package device such as SOT-23 placed in close proximity to it.

The on-chip sensor, however, will often be remote from the processor and will only be monitoring the general ambient temperature

ADM1023

around the package. The thermal time constant of the QSOP-16 package is about 10 seconds.

In practice, the package will have electrical, and hence thermal, connection to the printed circuit board, so the temperature rise due to self-heating will be negligible.

LAYOUT CONSIDERATIONS

Digital boards can be electrically noisy environments, and the ADM1023 is measuring very small voltages from the remote sensor, so care must be taken to minimize noise induced at the sensor inputs. The following precautions should be taken:

1. Place the ADM1023 as close as possible to the remote sensing diode. Provided that the worst noise sources such as clock generators, data/address buses and CRTs are avoided, this distance can be four to eight inches.
2. Route the D+ and D- tracks close together, in parallel, with grounded guard tracks on each side. Provide a ground plane under the tracks if possible.
3. Use wide tracks to minimize inductance and reduce noise pickup. 10 mil track minimum width and spacing is recommended.



Figure 18. Arrangement of Signal Tracks

4. Try to minimize the number of copper/solder joints, which can cause thermocouple effects. Where copper/solder joints are used, make sure that they are in both the D+ and D- path and at the same temperature.

Thermocouple effects should not be a major problem as 1°C corresponds to about 240 μV, and thermocouple voltages are about 3 μV/°C of temperature difference. Unless there are two thermocouples with a big temperature differential between them, thermocouple voltages should be much less than 240 μV.

5. Place a 0.1 μF bypass capacitor close to the V_{DD} pin and 2200 pF input filter capacitors across D+, D- close to the ADM1023.
6. If the distance to the remote sensor is more than eight inches, the use of twisted pair cable is recommended. This will work up to about 6 to 12 feet.
7. For really long distances (up to 100 feet), use shielded twisted pair such as Belden #8451 microphone cable. Connect the twisted pair to D+ and D- and the shield to GND close to the ADM1023. Leave the remote end of the shield unconnected to avoid ground loops.

Because the measurement technique uses switched current sources, excessive cable and/or filter capacitance can affect the measurement. When using long cables, the filter capacitor may be reduced or removed.

Cable resistance can also introduce errors. 1 Ω series resistance introduces about 1°C error.

APPLICATION CIRCUITS

Figure 19 shows a typical application circuit for the ADM1023, using a discrete sensor transistor connected via a shielded, twisted pair cable. The pull-ups on SCLK, SDATA, and $\overline{\text{ALERT}}$ are required only if they are not already provided elsewhere in the system.

The SCLK and SDATA pins of the ADM1023 can be interfaced directly to the SMBus of an I/O chip. Figure 20 shows how the ADM1023 might be integrated into a system using this type of I/O controller.

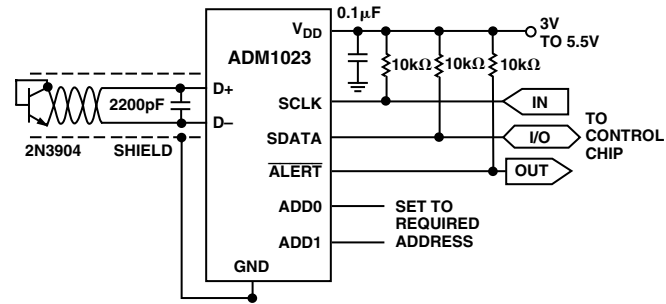


Figure 19. Typical ADM1023 Application Circuit

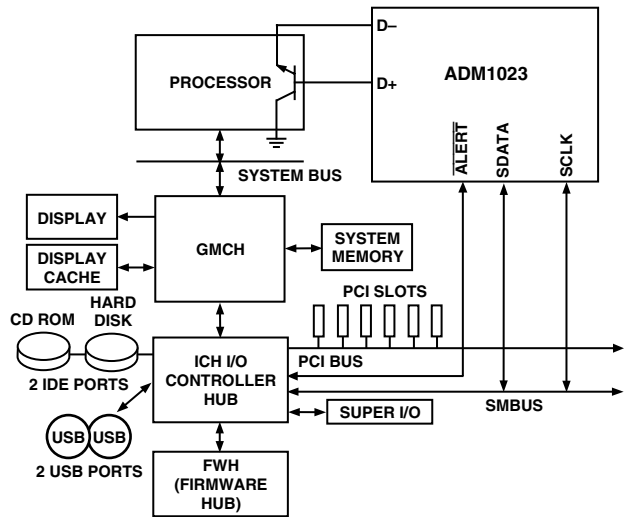


Figure 20. Typical System Using ADM1023

OUTLINE DIMENSIONS

Dimensions shown in inches and (mm).

16-Lead QSOP (RQ-16)

