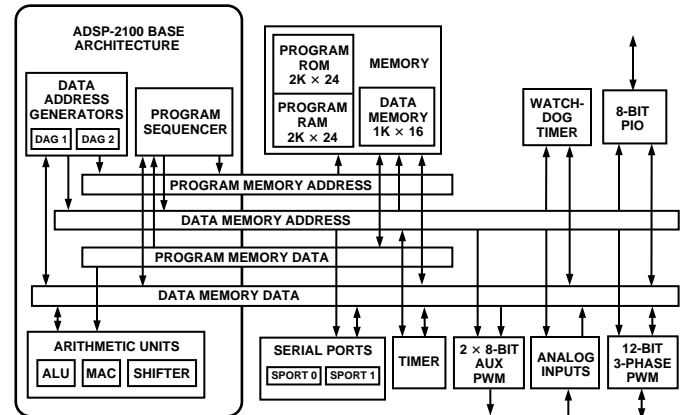


### FEATURES

- Seven Analog Input Channels
  - Acquisition Synchronized to PWM Switching Frequency
- Three-Phase 12-Bit PWM Generator
  - Programmable Deadtime and Narrow Pulse Deletion
  - 2.5 kHz Minimum Switching Frequency
- ECM Control Mode
  - Output Control for Space Vector Modulation
  - Gate Drive Block (Pulsed PWM Output Capability)
  - Hardwired Output Polarity Control
  - External Trip Input
- Two 8-Bit Auxiliary PWM Timers
  - Synthesized Analog Output
  - 39 kHz Frequency
  - 0 to 99.6% Duty Cycle
- Eight Bits of Digital I/O Port
  - Bit Configurable as Input or Output
  - Change of State Interrupt Support
- 20 MIPS Fixed Point DSP Core
  - Powerful Program Sequencer
    - Zero Overhead Looping
    - Conditional Instruction Execution
  - Independent Computational Units
    - ALU
    - Multiplier/Accumulator
    - Barrel Shifter
  - Multifunction Instructions
    - Single-Cycle Instruction Execution (50 ns)
    - Single-Cycle Context Switch
- ADSP-2100 Family Code and Function Compatible with Instruction Set Enhancements
- 16-Bit Watchdog Timer
- Programmable 16-Bit Interval Timer with Prescaler
- Two Synchronous Serial Ports
  - Full Debugger Interface
  - 2 Bootstrap Protocols via Sport 1, Serial and UART
- Memory Configuration
  - 2K × 24-Bit Word Program RAM
  - 1K × 16-Bit Word Data RAM
  - 2K × 24-Bit Word Program ROM

### FUNCTIONAL BLOCK DIAGRAM



### GENERAL DESCRIPTION

The ADMC330 is a low cost single chip DSP microcontroller optimized for stand alone ac motor control applications. The device is based on a 20 MHz fixed-point DSP core (ADSP-2171) and a set of motor control peripherals including seven analog input channels and a 12-bit three-phase PWM generator. The device has two auxiliary 8-bit PWM channels and adds expansion capability through the serial ports and an 8-bit digital I/O port. The ADMC330 has internal 2K words program RAM, and 1K words data RAM, which can be loaded from an external device via the serial port. There are also 2K words of internal program ROM, which includes a monitor that adds software debugging features through the serial port.

The ADMC330 core combines the ADSP-2100 base architecture (three computational units, data address generators and a program sequencer) with two serial ports, a programmable timer, extensive interrupt capabilities and on-chip program and data memory.

In addition, the ADMC330 supports new instructions, which include bit manipulations—bit set, bit clear, bit toggle, bit test—new ALU constants, new multiplication instruction (x squared), biased rounding and global interrupt masking, for increased flexibility.

REV. 0

Information furnished by Analog Devices is believed to be accurate and reliable. However, no responsibility is assumed by Analog Devices for its use, nor for any infringements of patents or other rights of third parties which may result from its use. No license is granted by implication or otherwise under any patent or patent rights of Analog Devices.

# ADMC330–SPECIFICATIONS ( $V_{DD} = 5\text{ V} \pm 10\%$ , $GND = SGND = 0\text{ V}$ , $T_A = -40^\circ\text{C}$ to $+85^\circ\text{C}$ , unless otherwise noted)

Parameter	Min	Typ	Max	Units	Conditions/Comments
<b>ANALOG-TO-DIGITAL CONVERTER</b>					
Signal Input	0.3		3.2 <sup>1</sup>	V	Charging Capacitor = 1000 pF 2.5 kHz Sample Frequency  No Missing Codes
Resolution			12	Bits	
Converter Linearity		2	4	Bits	
Zero Offset		50	200	mV	
Channel-to-Channel Comparator Match			25	mV	
Comparator Delay		600		ns	
Current Source	9.5	11	13.5	$\mu\text{A}$	
Current Source Linearity			3	%	
<b>ELECTRICAL CHARACTERISTICS</b>					
$V_{IL}$ Logic Low			0.8	V	$I_{OL} = 2\text{ mA}$ $I_{OL} = 2\text{ mA}$ $I_{OH} = 0.5\text{ mA}$ $V_{IN} = 0\text{ V}$ $V_{IN} = V_{DD}$
$V_{IH}$ Logic High	2			V	
$V_{OL}$ Low-Level Output Voltage			0.4	V	
$V_{OL}$ Low-Level Output Voltage (XTAL)			0.5	V	
$V_{OH}$ High-Level Output Voltage	4			V	
$I_{IL}$ Low-Level Input Current	-10			$\mu\text{A}$	
$I_{IH}$ High-Level Input Current			10	$\mu\text{A}$	
$I_{DD}$ Supply Current (Power-Down Mode)			5	mA	
$I_{DD}$ Supply Current (Static)			60	mA	
<b>CLOCK</b>					
Input Clock ( $t_{CK}$ )		100		ns	10 MHz Clock Input (CLKIN) 20 MHz DSP Clock (CLKOUT)
DSP Clock ( $t_{CK}/2$ )		50		ns	
<b>REFERENCE VOLTAGE OUTPUT</b>					
Voltage Level	2.2	2.55	2.9	V	100 $\mu\text{A}$ Load
Output Voltage Change $T_{MIN}$ to $T_{MAX}$		20		mV	
<b>12-BIT PWM TIMER</b>					
Counter Resolution			12 <sup>2</sup>	Bits	10 MHz CLKIN 10 MHz CLKIN 10 MHz CLKIN 10 MHz CLKIN 10 MHz CLKIN 10 MHz CLKIN 10 MHz CLKIN 10 MHz CLKIN
Edge Resolution		100		ns	
Programmable Deadtime Range	0		12.5	$\mu\text{s}$	
Programmable Deadtime Increments		200		ns	
Programmable Pulse Deletion Range	0		12.5	$\mu\text{s}$	
Programmable Pulse Deletion Increments		100		ns	
PWM Frequency Range	2.5			kHz	
PWMSYNC Pulsewidth ( $T_{CRST}$ )		2		$\mu\text{s}$	
Gate Drive Chop Frequency Range	0.08		5	MHz	
<b>AUXILIARY PWM TIMERS</b>					
Resolution		8		Bits	1/256 of 10 MHz CLKIN Clock
PWM Frequency		39		kHz	

## NOTES

<sup>1</sup>Signal input max  $V = 3.5$  if  $V_{DD} = 5\text{ V} \pm 5\%$ .

<sup>2</sup>Resolution varies with PWM switching frequency (10 MHz Clock), 25 kHz = 8 bits, 2.5 kHz = 12 bits.

Specifications subject to change without notice.

**ABSOLUTE MAXIMUM RATINGS\***

Supply Voltage ( $V_{DD}$ )	.....	-0.3 V to +7.0 V
Digital Input Voltage	.....	-0.3 V to $V_{DD}$
Analog Input Voltage	.....	-0.3 V to $V_{DD}$
Analog Reference Input Voltage	.....	-0.3 V to $V_{DD}$
Digital Output Voltage Swing	.....	-0.3 V to $V_{DD}$
Analog Reference Output Swing	.....	-0.3 V to $V_{DD}$
Operating Temperature	.....	-40°C to +85°C
Lead Temperature (Soldering, 10 sec)	.....	+280°C

\*Stresses greater than those listed above may cause permanent damage to the device. These are stress ratings only; functional operation of the device at these or any other conditions greater than those indicated in the operational sections of this specification is not implied. Exposure to absolute maximum rating conditions for extended periods may affect device reliability.

**ORDERING GUIDE**

Model	Temperature Range	Instruction Rate	Package Description	Package Option
ADMC330BST	-40°C to +85°C	20 MHz	80-Lead Plastic Thin Quad Flatpack (TQFP)	ST-80

**CAUTION**

ESD (electrostatic discharge) sensitive device. Electrostatic charges as high as 4000 V readily accumulate on the human body and test equipment and can discharge without detection. Although the ADMC330 features proprietary ESD protection circuitry, permanent damage may occur on devices subjected to high energy electrostatic discharges. Therefore, proper ESD precautions are recommended to avoid performance degradation or loss of functionality.

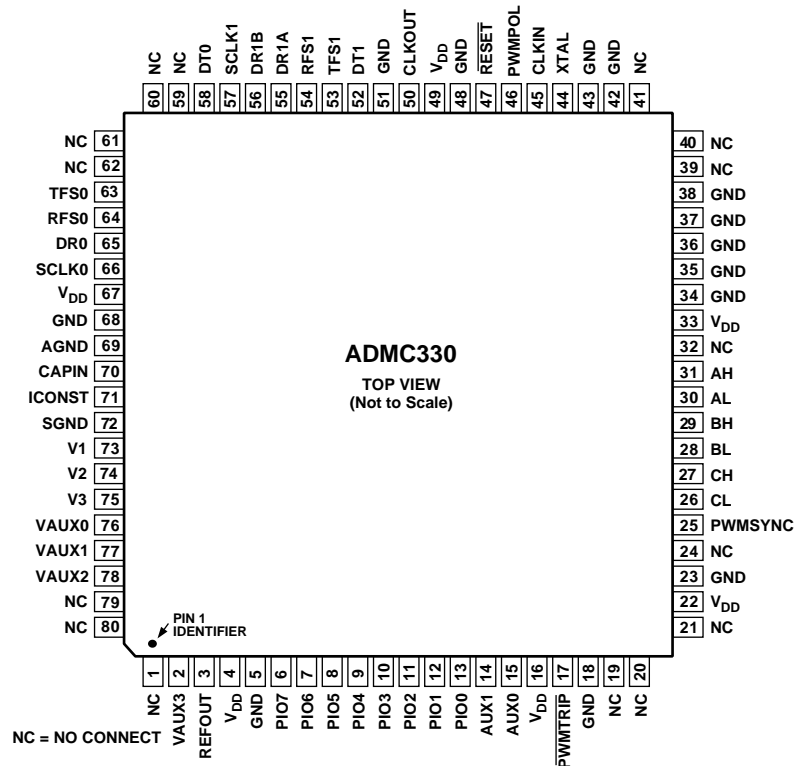


# ADMC330

## PIN FUNCTION DESCRIPTIONS

Pin No.	Pin Type	Pin Name	Pin No.	Pin Type	Pin Name	Pin No.	Pin Type	Pin Name	Pin No.	Pin Type	Pin Name
1		NC	21		NC	41		NC	61		NC
2	I/P	VAUX3	22	SUP	V <sub>DD</sub>	42	GND	GND	62		NC
3	O/P	REFOUT	23	GND	GND	43	GND	GND	63	BIDIR	TFS0
4	SUP	V <sub>DD</sub>	24		NC	44	I/P	XTAL	64	BIDIR	RFS0
5	GND	GND	25	O/P	PWMSYNC	45	I/P	CLKIN	65	BIDIR	DR0
6	BIDIR	PIO7	26	O/P	CL	46	I/P	PWMPOL	66	BIDIR	SCLK0
7	BIDIR	PIO6	27	O/P	CH	47	I/P	RESET	67	SUP	V <sub>DD</sub>
8	BIDIR	PIO5	28	O/P	BL	48	GND	GND	68	GND	GND
9	BIDIR	PIO4	29	O/P	BH	49	SUP	V <sub>DD</sub>	69	GND	AGND
10	BIDIR	PIO3	30	O/P	AL	50	O/P	CLKOUT	70	I/P	CAPIN
11	BIDIR	PIO2	31	O/P	AH	51	GND	GND	71	O/P	ICONST
12	BIDIR	PIO1	32		NC	52	O/P	DT1	72	GND	SGND
13	BIDIR	PIO0	33	SUP	V <sub>DD</sub>	53	BIDIR	TFS1	73	I/P	V1
14	O/P	AUX1	34	GND	GND	54	BIDIR	RFS1	74	I/P	V2
15	O/P	AUX0	35	GND	GND	55	I/P	DR1A	75	I/P	V3
16	SUP	V <sub>DD</sub>	36	GND	GND	56	I/P	DR1B	76	I/P	VAUX0
17	I/P	PWMTRIP	37	GND	GND	57	BIDIR	SCLK1	77	I/P	VAUX1
18	GND	GND	38	GND	GND	58	BIDIR	DT0	78	I/P	VAUX2
19		NC	39		NC	59		NC	79		NC
20		NC	40		NC	60		NC	80		NC

## PIN CONFIGURATION 80-Lead Plastic Thin Quad Flatpack (TQFP) (ST-80)



The ADMC330 operates with a 50 ns instruction cycle time. Every instruction can execute in a single processor cycle.

The flexible architecture and comprehensive instruction set of the ADMC330 allow the processor to perform multiple operations in parallel. In one processor cycle the ADMC330 can:

- generate the next program address
- fetch the next instruction
- perform one or two data moves
- update one or two data address pointers
- perform a computational operation

This takes place while the processor continues to:

- receive and transmit data through the two serial ports
- decrement the timer

Independently the peripheral blocks can:

- generate three-phase PWM waveforms for a power inverter
- generate two signals using the 8-bit auxiliary PWM timers
- acquire four analog signals
- control eight digital I/O lines
- decrement the watchdog timer

#### ROM Code Functions

The ADMC330 has a 2K Boot ROM that contains the following:

- Monitor Program:  
Serial Boot Loader for OTP ROM or EEPROM  
UART Debugger Interface and Loader
- Math Utilities/Tables:  
Sine, cosine, tangent, inverse tangent, log, inverse log, square root, 1/X, 1/(sine rms), unsigned division, Cartesian to polar conversion, interpolation

The ADMC330 is similar to an ADSP-2172 in its booting sequence. The MMAP and BMODE pins are tied high, which enables the on-chip ROM and starts execution of the monitor program on power-up or reset. The monitor program first attempts to boot load through SPORT1 from a serial memory device. The loader uses a two-wire (data and clock) serial protocol. The ADMC330 provides a serial clock to the device equal to 1/20 of CLKOUT. Default input is from a Xilinx XC1765D OTP ROM or Atmel AT17C65 EEPROM; other devices are possible as long as they adhere to the loader protocol. If the serial load is successful, the code that was downloaded is executed at the start of user memory space.

Failing a synchronous boot load, the ADMC330 monitor switches over to debug mode and waits for commands over SPORT1 from a UART. Debug mode uses a standard RS-232 protocol in which only the data receive and transmit lines are used by the ADMC330. This interface is used by the Visual DSP® Debugger, but can also be used by UART devices for boot loading programs.

In addition to the monitor program, the ROM contains the previously listed math utilities. These routines can be called from user applications.

#### Development System

The ADSP-2100 Family Development Software, a complete set of tools for software and hardware system development, supports the ADMC330. The system builder provides a high level method for defining the architecture of systems under development. The assembler has an algebraic syntax that is easy to program and debug. The linker combines object files into

an executable file. The simulator provides an interactive instruction-level simulation with a reconfigurable user interface to display different portions of the hardware environment. A MAKEPROM utility splitter generates PROM programmer compatible files. The C Compiler, based on the Free Software Foundation's GNU C Compiler, generates ADMC330 assembly source code. The runtime library includes over 100 ANSI-standard mathematical and DSP-specific functions.

Low cost, easy-to-use hardware development tools include an ADMC330-EVAL board and a windows based software debugger. This debugger can be run with either the ADMC330-EVAL board or the target system by communicating over a two-wire asynchronous link to a PC.

#### FUNCTIONAL DESCRIPTION

##### ADMC330 Peripherals Overview

The ADMC330 set of peripherals was specifically developed to address the requirements of variable speed control of ac induction motors (ACIM) and electronically commutated synchronous motors (ECM). They are memory mapped to a block in the DSP data memory space allowing single cycle read and/or write to all peripheral registers. The operation of the peripherals is synchronized to the DSP core by a clock HCLK, which is derived from half of the DSP system clock.

##### Three-Phase PWM Generator

- 12-bit center-based PWM generator including programmable deadtime and narrow pulse deletion.
- ECM crossover block.
- Output enable block.
- Hardwired output polarity control.
- External trip input.
- Pulsed PWM output capability for transformer coupled gate.

##### Analog I/O

- Two 8-bit PWM Output Timers—(Synthesized Analog Output).
- Comparator based Analog Input Acquisition. Analog-to-digital conversion is accomplished via 4-channel single slope ADC.

##### Digital I/O

- Eight bits of programmable digital I/O configurable as interrupt sources.

#### THREE-PHASE PWM GENERATOR

The ADMC330 PWM controller is a self-contained programmable waveform generator that produces PWM switching signals for a three-phase power inverter. It includes a waveform timing edge calculation unit which allows the generation of six center based PWM signals based on only three duty cycle register updates every switching cycle. This minimizes the DSP software required to service the PWM controller and frees up processor time for the motor control law implementation. In the default configuration it produces the three-phase center based PWM waveforms required for three phase sinusoidal inverter. However, it can also be configured for space vector modulation schemes, or for controlling brushless dc motors (sometimes known as electronically commutated motors). It also has functions which simplify the interface to the power inverter gate drive and protection circuits.

The PWM controller is synchronized to the DSP core by the HCLK which runs at half the DSP clock frequency giving waveform resolution of 100 ns with a 20 MHz DSP clock. There are

# ADMC330

four configuration registers (PWMTM, PWMDT, PWMPD and PWMGATE), which define basic waveform parameters such as the master switching frequency, deadtime, minimum pulsewidth, and gate drive chopping. There PWM output signals on the pins AH through CL are controlled by the input registers (PWMCHA, PWMCHB, PWMCHC and PWMSEG) and the control pins  $\overline{\text{PWMTRIP}}$  and PWMPOL.

## PWM Controller Overview

The PWM controller consists of three units: the center-based timing unit, output control unit and the gate drive unit as shown in Figure 1.

- The center-based PWM timing unit is the core of the PWM controller and produces three pairs of complemented and deadtime adjusted PWM waveforms as required for ac motor control.
- The output control unit is a signal switching unit that selects the appropriate PWM signals to be connected to the output pins based on the bits set in the segment register (PWMSEG) as may be required for ECM control or some space vector modulation schemes.
- The gate drive block sets the logic polarity of the PWM “on” signal according to the polarity of the PWMPOL pin to match the gate drive circuit requirement. It can also modulate the PWM “on” signal with a high frequency carrier (0.08 MHz–5 MHz) if required for a transformer coupled gate drive circuit.

The DSP-based control algorithm can be synchronized to the PWM generator by a hardware interrupt signal that is generated at the end of every PWM switching cycle. This same PWMSYNC signal is internally connected to the internal analog-to-digital converter and is also available at an output pin. Finally, the hardware  $\overline{\text{PWMTRIP}}$  pin can be used to shut down the PWM controller in the event of a fault.

## Center-Based PWM Timing Unit

The center-based PWM timing unit is a programmable timer that generates three pairs of fixed frequency PWM waveforms suitable for controlling a three-phase power inverter. The unit contains arithmetic circuits that calculate the PWM signal timing edges from waveform parameters such as the PWM period,

dead time and the duty cycle for each inverter phase. There is no extra DSP software overhead once the duty cycle for each phase has been calculated and loaded into the PWM channel registers.

The PWM Timing Unit produces three pairs of complemented variable duty cycle waveforms symmetrical about common axes of the form shown in Figure 2. They are complemented waveforms, which means that for any pair of PWM waveforms (AH and AL), they can never both be ON at the same time. They are deadtime adjusted, which means that for any pair of PWM waveforms, there is a delay between switching from being ON in one waveform to being ON in the complemented waveform. A pulse deletion function is implemented, which means that very narrow PWM pulses will not be generated.

It is important to note that the deadtime compensation does not take place on the boundary between consecutive PWM cycles. Thus both the low side and high side devices can switch on during the transition from a full-ON state to any other state. This potentially volatile condition can be avoided by:

- Ensuring that the device never enters to the full-ON or full-OFF states, that is,  
 $PWMCHx \leq PWMTM - 2 \times (PWMDT + 1)$ , with  $PWMPD = 0$
- Using an external deadtime compensation circuit.

There is an active high PWMSYNC pulse produced at the beginning of each PWM cycle to synchronize the operation of other peripherals with the switching of the power inverter. This signal is also internally connected to the ADC block to initiate conversions, and to the DSP core to generate an interrupt. Figure 2 shows the center-based PWM operation.

The master switching frequency can range from 2.5 kHz to 25 kHz and is an integral fraction of HCLK clock frequency. It is set by the value in the 12-bit PWMTM period register, which sets the total number of clock cycles in a PWM cycle. The required PWM period as a function of the desired master switching frequency ( $f_{PWM}$ ) and peripheral system clock frequency ( $f_{HCLK}$ ) is given by:

$$PWMTM = \frac{f_{HCLK}}{f_{PWM}}$$

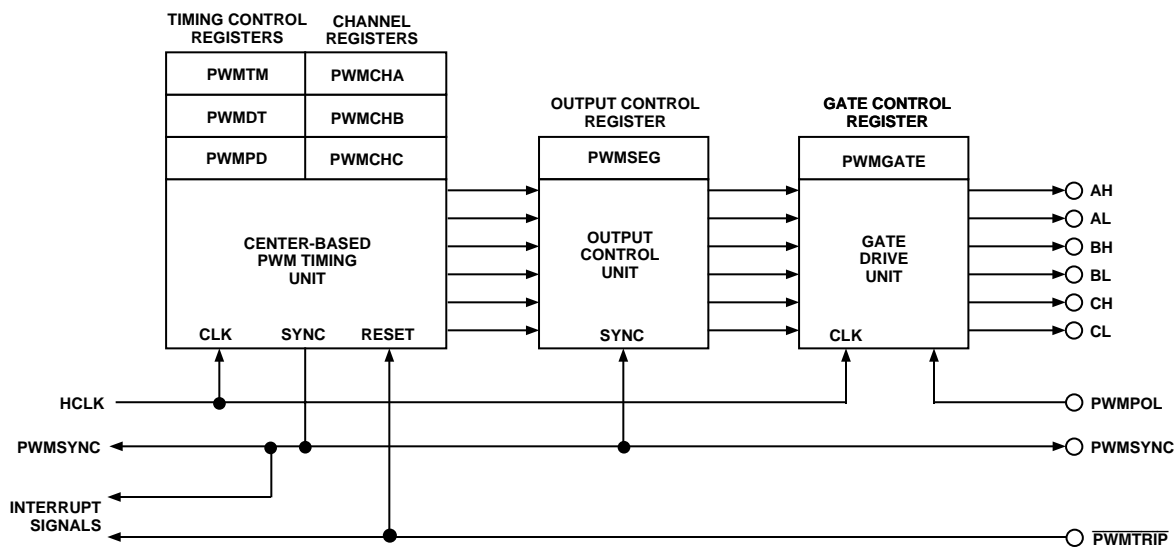


Figure 1. PWM Controller Overview

For example, the HCLK clock is 10 MHz. If 8 kHz PWM waveforms are required, then PWMTM should be loaded with  $10\text{ MHz}/8\text{ kHz} = 1250$ . A value must be written to the PWMTM register before the PWM block can be used.

The ON time of each pair of PWM waveforms, e.g., AH and AL, is set by the integer value in the duty cycle registers PWMCHA, PWMCHB and PWMCHC. The deadtime between the active portions of complementary waveforms is set by the value in the deadtime register PWMDT and is subtracted from the value in the duty cycle register. The final deadtime adjusted fractional duty cycle for Channel A for example is given by:

$$d_A = \frac{t_{Aon}}{T_{PWM}} = \frac{PWMCHA - PWMDT}{PWMTM}$$

The minimum pulsewidth delivered is set by the value in the pulse deletion register PWMPD. When the calculated high or low pulsewidth for any channel is less than PWMPD, the switching pulse is eliminated and the outputs are saturated one to 100% high, and the other to 100% low.

### Output Control Unit

The Output Control Unit contains special features that allow the ADCM330 to be easily applied for the control of electronically commutated motors (ECM) or brushless dc motors (BDCM). In these machines, only two motor phases are required to conduct simultaneously so that at most two power switches are turned on at any time. In order to build up current in the motor phases, it is necessary to turn on the upper switch in one phase and the lower switch in another phase of the inverter.

The PWMSEG register of the ADCM330 PWM block allows modification of the pulsewidth modulation signals from the center-based block in order to meet the requirements for ECM control. Three bits of the PWMSEG register (Bits 6, 7 and 8) permit individual crossover of the three PWM signal pairs. For example, setting Bit 8 will crossover the signals for Phase A such that the high-side signal from the center-based block will ultimately appear at the low-side output pin (AL). Conversely, the low-side signal from the center-based block will appear at Pin AH.

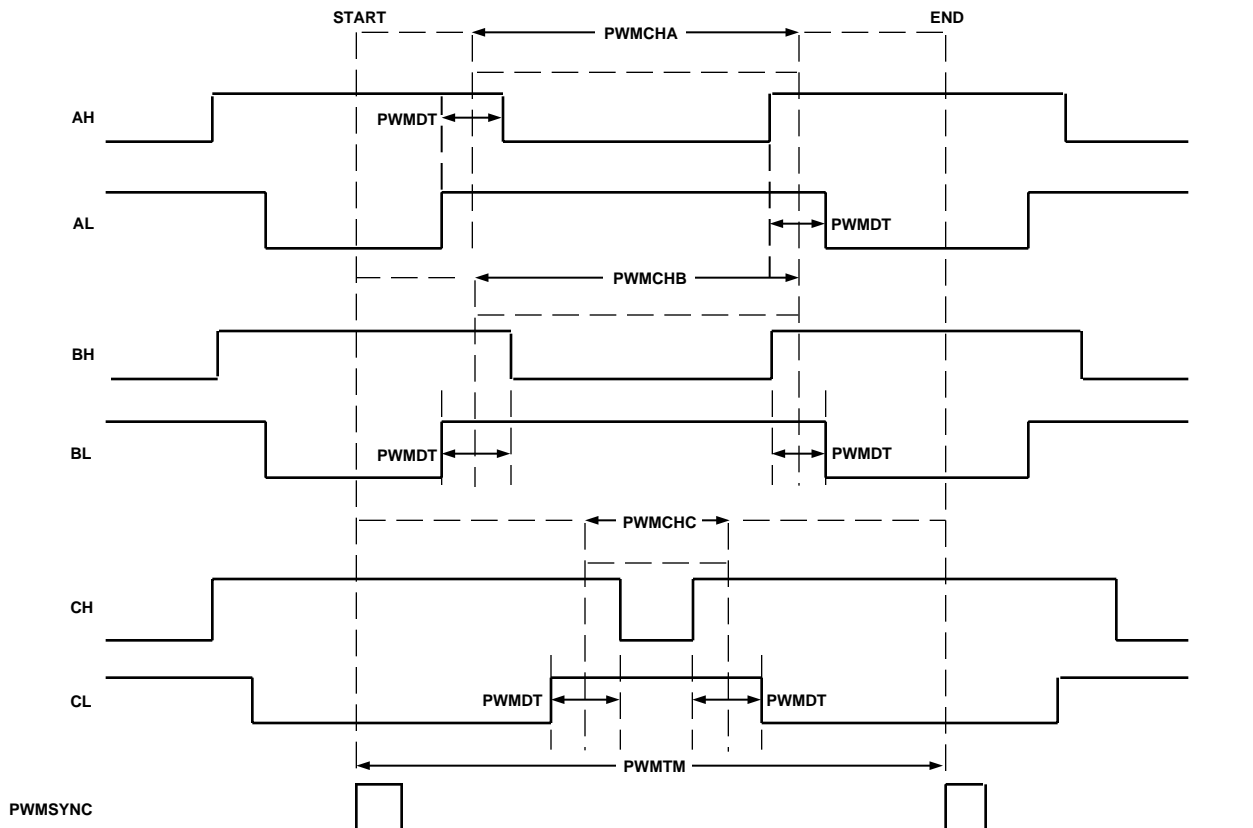


Figure 2. Three-Phase Center-Based Active Low PWM Waveforms

# ADMC330

Similar modifications can be made to Phases B and C using Bits 7 and 6, respectively, of the PWMSEG register. Six bits of the PWMSEG register (Bits 0 . . . 5) are used to independently enable/disable any individual PWM output pins. For example, setting Bits 0 and 1 high disables PWM outputs CH and CL, which keeps these outputs off over the full PWM period regardless of the value in the PWMCHC register. This feature is not only useful for ECM control, but is also required in some space vector modulation schemes. Modifications to the PWMSEG register only become effective at the start of each PWM cycle. In the transparent (default) mode, all bits in PWMSEG are set low.

Consider the situation shown in Figure 3 for operation of an ECM with the AH and BL power devices active. The PWM duty cycle registers, PWMCHA and PWMCHB, are programmed with the appropriate on-time value. Since all three PWM registers must be written to trigger an update of the PWM, it is necessary to write also to PWMCHC. For this example, the particular value written to this register is unimportant. Subsequently, crossover bit of the PWMSEG register for Phase B (Bit 7) is set to enable crossover of the Phase B signals. The PWM outputs for Phase C high and low, Phase B high and Phase A low are disabled by setting Bits 0, 1, 2 and 5 of the PWMSEG register. In this example, the appropriate value for the PWMSEG register is 0x00A7. In addition, high side chopping of the signal AH is enabled by setting Bit 8 of the PWMGATE register.

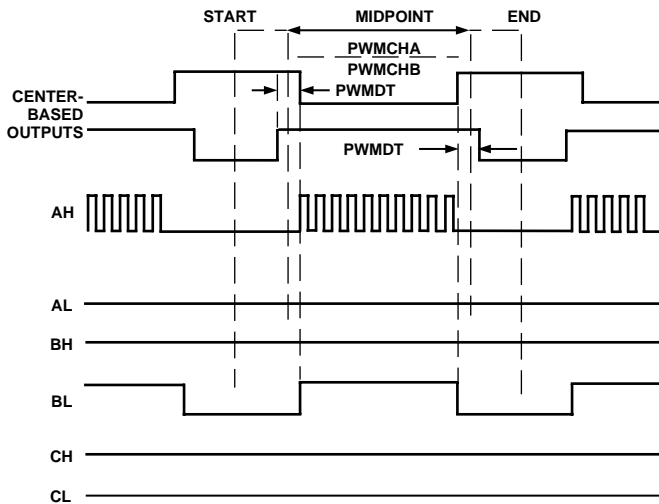


Figure 3. PWM Output Waveforms for an ECM with Inverter Devices AH and BL Active

Known limitation of the ECM block. Modifying the PWMSEG register while the PWM duty cycle transitions from a full-ON state to any other state will cause both the high side and low side devices to switch on for 50 ns. This potentially volatile condition can be avoided by:

- Disabling the PWM channel outputs during the transition from full-ON to any other state.
- Preventing the full-ON condition namely limiting PWMCHx to:  $PWMCHx \leq PWMTM - 2 \times (PWMMDT + 1)$ , with  $PWMPD = 0$ .
- Preventing a PWMSEG update operation during the transition from full-ON to any other state.

## Gate Drive Unit

The Gate Drive Unit adds features that simplify the interface to a variety of gate drive circuits for PWM inverters. If a transformer coupled power device gate drive amplifier is used, the active PWM signal must be chopped at a high frequency of up to 5 MHz. The chopped active PWM signals may be required for the high side drivers only or for both high side and low side.

The gate drive chopping feature is enabled by Bits 8 and 9 of the PWMGATE register. Setting Bit 8 enables a chopped PWM signal on all high side output pins AH, BH and CH, setting Bit 9 enables a chopped PWM signal on all low side output pins AL, BL and CL. The gate chopping frequency is programmed using Bits 0–5 of the PWMGATE register. The gate drive chopping frequency is given by the following equation:

$$f_{chop} = \frac{f_{HCLK}}{2 \times (GATETM + 1)}$$

where *GATETM* is the 6-bit value in Bits 0 . . . 5 of the PWMGATE register.

Depending on the type of power device gate drive circuit used, either active high or active low, PWM signals will be required, so an external PWM polarity pin is provided. The polarity of the PWMPOL pin determines the active polarity of the PWM output signals (i.e., a low PWMPOL pin means active low PWM). This must be set by hardware because even though the ADCM330 will power up with all PWM outputs off, the correct polarity of an off PWM signal is a function of the gate drive circuit only. The level on the PWMPOL pin is available in Bit 2 of the SYSSTAT register.

## External PWM Trip

In fault conditions the power devices must be switched off as soon as possible after the fault has been detected, hence an external hardware PWM trip input is provided. A low going PWMTRIP pulse will reset the PWM block which will disable all PWM outputs. This will also generate a PWMTRIP interrupt signal and cause a DSP interrupt. The PWMTRIP pin is accessible through Bit 0 of SYSSTAT so that the DSP can determine when the external fault has been cleared. At this point, a full initialization of the PWM controller will be required to restart the PWM.

## ADC OVERVIEW

The analog input block is a 12-bit resolution analog data acquisition system. A single slope type ADC is implemented by timing the crossover between the analog input and a sawtooth reference ramp. A simple voltage comparator is used to latch the output of a reference counter timer circuit when the crossover is detected.

There are seven input channels to the ADC of which three (V1, V2 and V3) have dedicated comparators. The remaining four inputs (VAUX0, VAUX1, VAUX2 and VAUX3) are multiplexed into the fourth comparator channel. This allows four conversions per PWM period to be performed by the ADC. The particular input signal that is fed to the fourth comparator input is selected using the ADCMUX0 and ADCMUX1 bits of the peripheral control register, MODECTRL. The settings of these two control bits in order to select the appropriate auxiliary analog input is shown in Table I.



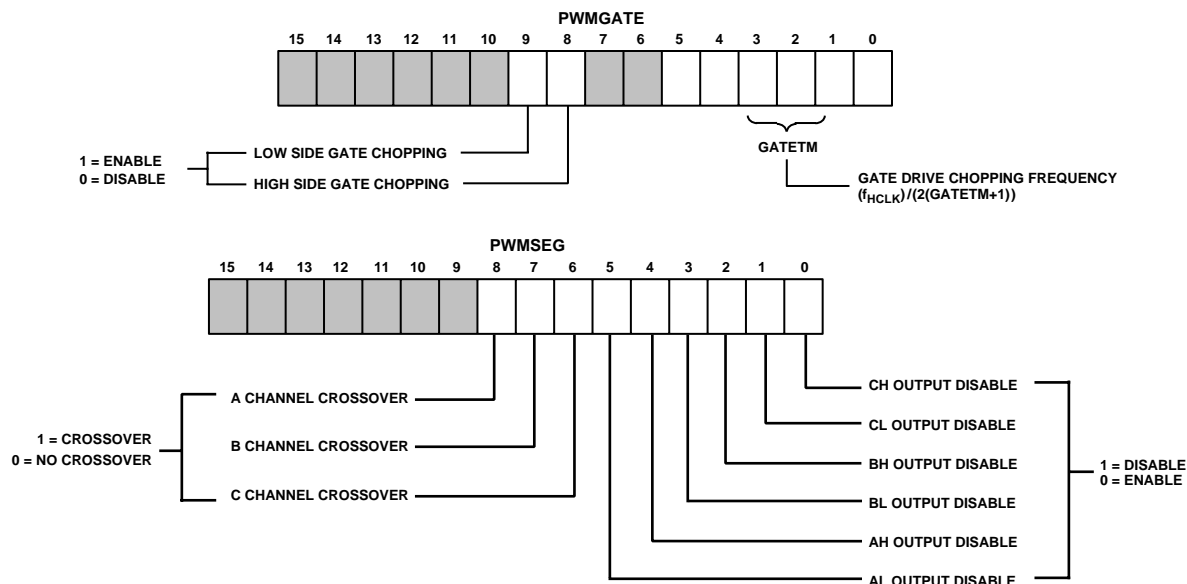


Figure 4. Configuration of PWMSEG and PWMGATE Registers

Table I. ADC Auxiliary Channel Selection

Select	MODECTRL (1) ADCMUX1	MODECTRL (0) ADCMUX0
VAUX0	0	0
VAUX1	0	1
VAUX2	1	0
VAUX3	1	1

### Analog Block

The operation of the ADC block may be explained by reference to Figures 5 and 6. The reference ramp is tied to one input of each of the four comparators. This reference ramp is generated by charging an external timing capacitor with a constant current source. The timing capacitor is connected between pins CAPIN and SGND. The capacitor voltage is reset at the start of each PWM cycle using the PWMSYNC pulse, which is held high for 20 CLKIN cycles ( $T_{CRST} = 2 \mu s$  for a 10 MHz CLKIN). On the falling edge of PWMSYNC, the capacitor begins to charge at a rate determined by the capacitor and the current source values. An internal current source is made available for connection to the external timing capacitor on the ICONST pin. An external current source could also be used, if required. The four input comparators of the ADC block continuously compare the values of the four analog inputs with the capacitor voltage. Each comparator output will go high when the capacitor voltage exceeds the respective analog input voltage.

### ADC Timer Block

The ADC timer block consists of a 12-bit counter clocked at a constant rate of HCLK, equal to half the DSP clock rate. This gives a timer resolution of 100 ns at the maximum CLKIN frequency of 10 MHz. The counter is reset on the falling edge of the PWMSYNC pulse so that the counter commences at the beginning of the reference voltage ramp. When the output of a given comparator goes high, the counter value is latched into the

appropriate 12-bit ADC register. There are four ADC registers (ADC1, ADC2, ADC3 and ADCAUX) corresponding to each of the four comparators. At the end of the reference voltage ramp, all four registers should have been loaded with new values so that new conversion data is available to the controller after a PWMSYNC interrupt.

The first set of values loaded into the output registers after the first PWMSYNC interrupt will be invalid since the latched value is indeterminate. For very low analog inputs, less than the minimum reference value, the comparator output will be permanently high and the output register will contain the code 0x000. Also, if the input analog voltage exceeds the peak capacitor ramp voltage, the comparator output will be permanently low and a 0xFFF code will be produced. This indicates an input overvoltage condition.

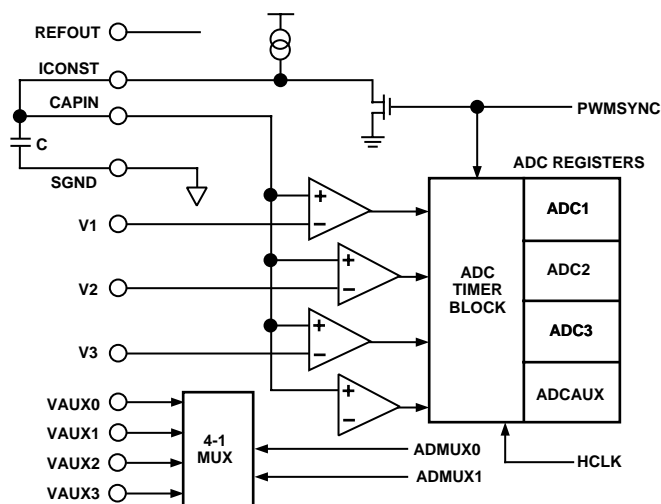


Figure 5. ADC Overview

# ADMC330

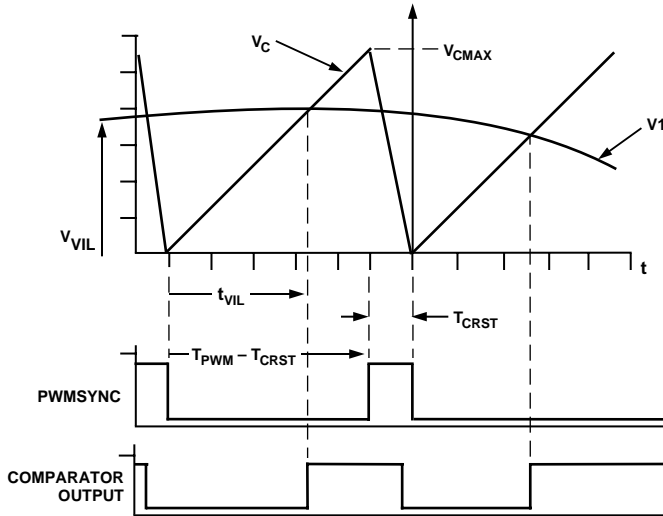


Figure 6. Analog Input Block Operation

## ADC Resolution

Because the operation of the ADC is intrinsically linked to the PMW block, the effective resolution of the ADC is a function of the PMW switching frequency. The effective ADC resolution is determined by the rate at which the counter timer is clocked. For a CLKIN period of  $t_{CK}$  and a PWM period of  $T_{PWM}$ , the maximum count of the ADC is given by

$$Max\ Count = \frac{T_{PWM}}{t_{CK}}$$

For an assumed CLKIN frequency of 10 MHz, the effective resolution of the ADC block is tabulated for various PWM switching frequencies in Table II.

Table II. ADC Resolution Examples

PWM Frequency (kHz)	Max Count	Effective Resolution (Bits)
2.5	3980	≈12
4	2480	>11
8	1230	>10
18	535	>9
25	380	>8

## External Timing Capacitor

In order to maximize the useful input voltage range and effective resolution of the ADC, it is necessary to carefully select the value of the external timing capacitor. For a given capacitance value,  $C_{NOM}$ , the peak ramp voltage is given by:

$$V_C\ max = \frac{I_{CONST} (T_{PWM} - T_{CRST})}{C_{NOM}}$$

where  $I_{CONST}$  is the nominal current source value of 10.5  $\mu$ A and  $T_{CRST}$  is the PWMSYNC pulsewidth. In selecting the capacitor value, however, it is necessary to take into account the tolerance of the capacitor and the variation of the current source value. To ensure that the full input range of the ADC is utilized, it is necessary to select the capacitor so that at the maximum capacitance value and the minimum current source output, the ramp voltage will charge to at least 3.5 V.

As a result, assuming  $\pm 10\%$  variations in both the capacitance and current source, the nominal capacitance value required at a given PWM period is:

$$C_{NOM} = \frac{(0.9 \times I_{CONST}) (T_{PWM} - T_{CRST})}{(1.1) (3.5)}$$

The largest standard value capacitor that is less than this calculated value is chosen. Table III shows the appropriate standard capacitor value to use for various PWM switching frequencies assuming  $\pm 10\%$  variations in both the current source and capacitor tolerances. If required, more precise control of the ramp voltage is possible by using higher precision capacitor components, an external current source and/or series or parallel timing capacitor combinations.

Table III. Timing Capacitor Selection

PWM Frequency (kHz)	Timing Capacitor (pF)
2.5–3.0	820
3.0–3.6	680
3.6–4.3	560
4.3–5.2	470
5.2–6.2	390
6.2–7.3	330
7.3–9.0	270
9.0–10.9	220
10.9–13.2	180
13.2–15.8	150
15.8–19.6	120
19.6–23.4	100
23.4–28.2	82

## AUXILIARY PWM TIMERS OVERVIEW

The two auxiliary PWM timers can be used to produce analog signal outputs when configured as PWM DACs. This allows the ADMC330 to generate a reference for power factor correction and supply an analog reference for other systems in the application. They can also be used as supplementary PWM outputs for other control circuits.

The PWM timers generate two fixed frequency edge-based variable duty cycle PWM signals. The PWM frequency is 1/256 times HCLK, or 39 kHz. The duty cycle is based on a user-supplied 8-bit value loaded into the AUX0 and AUX1 registers.

The timer output can range from 0% to 99.6%, where the number written to the register represents the high time. The values are updated as soon as new values are written in the registers: if the value is smaller than the present counter value the output goes low, otherwise it stays high.

On **RESET**, the AUX0 and AUX1 registers are cleared to zero and remain at zero until a new value is written.

## PWM DAC Equation

The PWM output must be filtered in order to produce a low frequency analog signal between 0 V to 4.98 V dc. For example, a 2-pole filter with a 1.2 kHz cut off frequency will sufficiently attenuate the PWM carrier. Figure 7 shows how the filter would be applied.

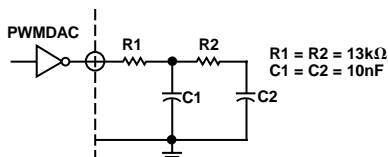


Figure 7. Auxiliary PWM Output Filter

## PROGRAMMABLE DIGITAL INPUT/OUTPUT

The ADMC330 has eight programmable digital I/O (PIO) pins: PIO0–PIO7. Each pin can be individually configurable as either an input or an output. Input pins can also be used to generate interrupts.

The PIO pins are configured as input or output by setting the appropriate bits in the PIODIR register, as shown in Figure 8. The read/write register PIODATA is used to set the state of an output pin or read the state of an input pin. Writing to PIODATA affects only the pins configured as outputs. The default state, after an ADMC330 reset, is that all PIO are configured as inputs.

Any pin can be configured as an independent edge triggered interrupt source. The pin must first be configured as an input and then the appropriate bit must be set in the PIOINTEN register. A peripheral interrupt is generated when the input level changes on any PIO pin configured as an interrupt source. A PIO interrupt sets the appropriate bit in the PIOFLAG register. The DSP peripheral interrupt service routine (ISR) must read the PIOFLAG registers to determine which PIO pin was the source of the PIO interrupt. Reading the PIOFLAG register will clear it.

## WATCHDOG TIMER OVERVIEW

The watchdog timer can be used to reset the DSP and peripherals in the event of a software error hanging the processor. The watchdog timer is enabled by writing a value to the watchdog timer register. In the event of the code “hanging” the counter will count down from its initial value to zero and the watchdog timer hardware will force a DSP and peripheral reset. In normal operation a section of DSP code will write to the timer register to reset the counter to its initial value preventing it from reaching zero.

## DSP CORE ARCHITECTURE OVERVIEW

Figure 9 is a block diagram of the ADMC330 processor core and system peripherals. The processor contains three independent computational units: The ALU, the multiplier/accumulator (MAC) and the shifter. The computational units process 16-bit data directly and have provisions to support multiprecision computations. The ALU performs a standard set of arithmetic and logic operations; division primitives are also supported. The MAC performs single-cycle multiply, multiply/add and multiply/subtract operations with 40 bits of accumulation. The shifter performs logical and arithmetic shifts, normalization, denormalization and derive exponent operations. The shifter can be used to efficiently implement numeric format control including multiword and block floating-point representations.

The internal result (R) bus directly connects the computational units so that the output of any unit may be the input of any unit on the next cycle.

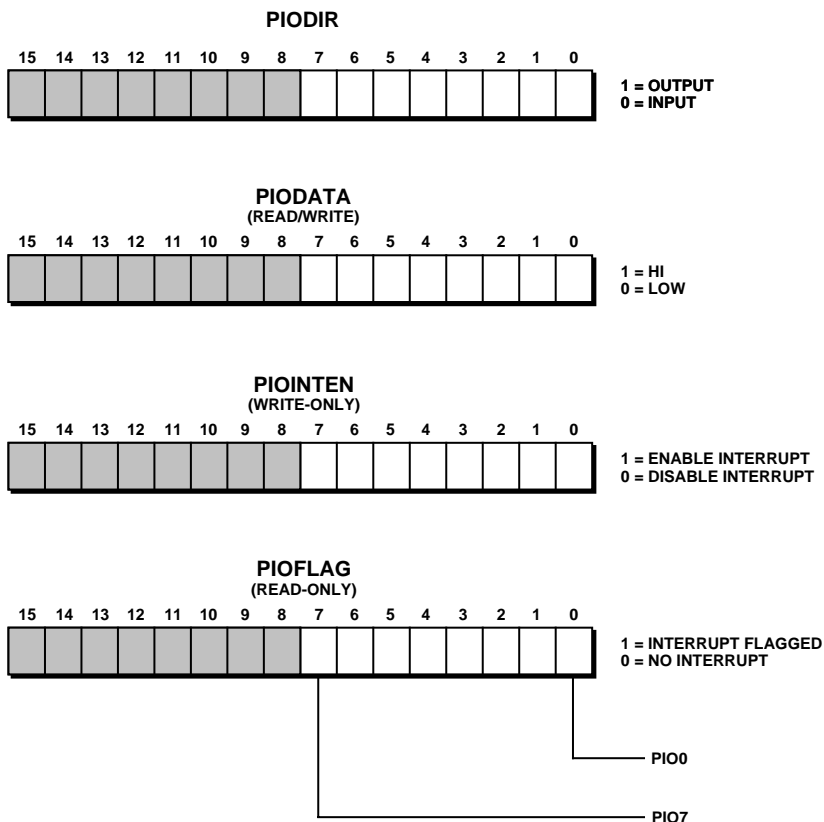


Figure 8. Configuration of PIO Registers

# ADMC330

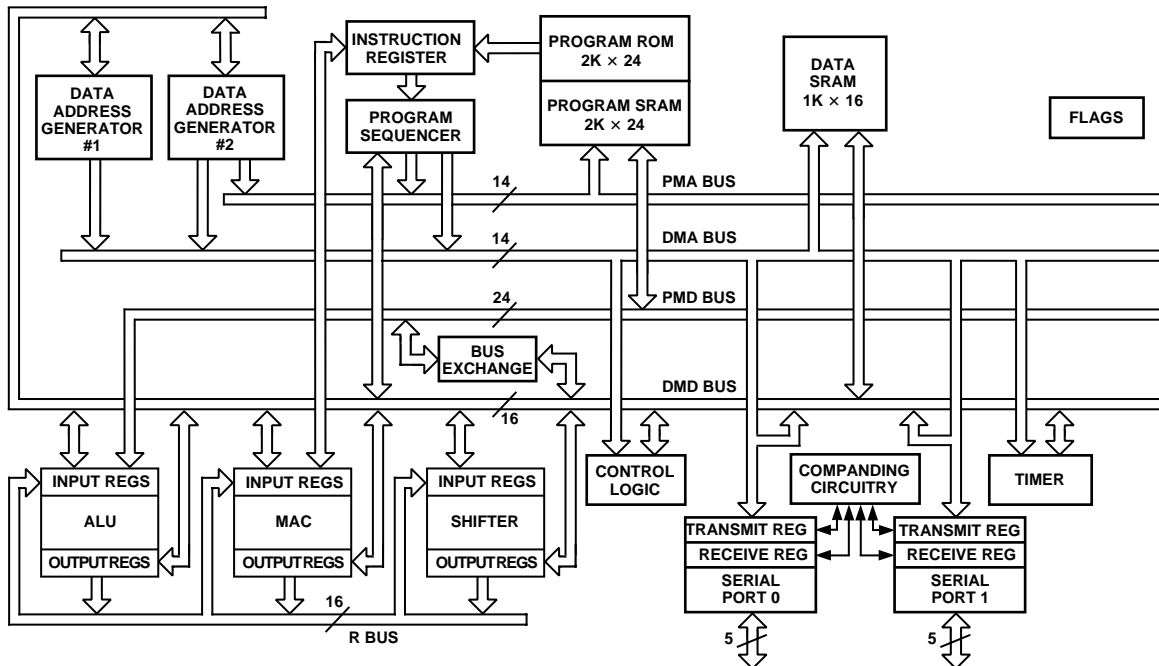


Figure 9. DSP Core Block Diagram

A powerful program sequencer and two dedicated data address generators ensure efficient delivery of operands to these computational units. The sequencer supports conditional jumps, subroutine calls and returns in a single cycle. With internal loop counters and loop stacks, the ADMC330 executes looped code with zero overhead; no explicit jump instructions are required to maintain the loop.

Two data address generators (DAGs) provide addresses for simultaneous dual operand fetches (from data memory and program memory). Each DAG maintains and updates four address pointers. Whenever the pointer is used to access data (indirect addressing), it is post-modified by the value of one of four possible modify registers. A length value may be associated with each pointer to implement automatic modulo addressing for circular buffers.

Efficient data transfer is achieved with the use of five internal buses:

- Program Memory Address (PMA) Bus
- Program Memory Data (PMD) Bus
- Data Memory Address (DMA) Bus
- Data Memory Data (DMD) Bus
- Result (R) Bus

Program memory can store both instructions and data, permitting the ADMC330 to fetch two operands in a single cycle, one from program memory and one from data memory. The ADMC330 can fetch an operand from on-chip program memory and the next instruction in the same cycle.

The ADMC330 can respond to interrupts. There can be internal interrupts generated by the Timer, the Serial Ports (SPORTs), and software or peripheral interrupts generated by the PIO or PWM. There is also a master RESET signal.

The two serial ports provide a complete synchronous serial interface with optional companding in hardware and a wide variety of framed or frameless data transmit and receive modes of operation. Each port can generate an internal programmable serial clock or accept an external serial clock.

Boot circuitry provides for automatically loading on-chip program memory from the data input and output pins on SPORT1. SPORT1 can be alternatively configured as an input flag, output flag or two additional interrupt sources.

A programmable interval timer generates periodic interrupts. A 16-bit count register (TCOUNT) is decremented every  $n$  processor cycles, where  $n-1$  is a scaling value stored in an 8-bit register (TSCALE). When the value of the count register reaches zero, an interrupt is generated and the count register is reloaded from a 16-bit period register (TPERIOD).

The ADMC330 instruction set provides flexible data moves and multifunction (one or two data moves with a computation) instructions. Every instruction can be executed in a single processor cycle. The ADMC330 assembly language uses an algebraic syntax for ease of coding and readability. A comprehensive set of development tools supports program development.

**Serial Ports**

The ADMC330 incorporates two complete synchronous serial ports (SPORT0 and SPORT1) for serial communications and multiprocessor communication.

Following is a brief list of the capabilities of the ADMC330 SPORTs. Refer to the *ADSP-2100 Family User's Manual* for further details.

- SPORTs are bidirectional and have a separate, double-buffered transmit and receive section.
- SPORTs can use an external serial clock or generate their own serial clock internally.
- SPORTs have independent framing for the receive and transmit sections. Sections run in a frameless mode or with frame synchronization signals internally or externally generated. Frame sync signals are active high or inverted, with either of two pulsewidths and timings.
- SPORTs support serial data word lengths from 3 to 16 bits and provide optional A-law and  $\mu$ -law companding according to CCITT recommendation G.711.
- SPORT receive and transmit sections can generate unique interrupts on completing a data word transfer.
- SPORTs can receive and transmit an entire circular buffer of data with only one overhead cycle per data word. An interrupt is generated after a data buffer transfer.
- SPORT0 has a multichannel interface to selectively receive and transmit a 24- or 32-word, time-division multiplexed, serial bit stream.
- SPORT1 can be configured to have two external interrupts ( $\overline{\text{IRQ0}}$  and  $\overline{\text{IRQ1}}$ ) and the Flag In and Flag Out signals. The internally generated serial clock may still be used in this configuration.
- SPORT1 has two multiplexed data receive pins DR1A and DR1B. DR1A is automatically selected at boot up and is the default input for the serial ROM. For UART communication DR1B is selected.

A full description of the SPORT timing parameters is given in Figure 14.

**Interrupts**

The interrupt controller allows the processor core to respond to nine possible interrupts with the minimum of overhead. The ADMC330 supports eight internal interrupts from the timer, the two serial ports, the software interrupts, and the software forced power-down interrupt. The ninth interrupt,  $\overline{\text{IRQ2}}$  on the 2171 core, is actually wired internally to the ADMC330 peripheral interrupt sources. This peripheral interrupt is generated on a PWM trip, PWMSYNC (once each PWM cycle), or from any of the eight PIO ports. The PWMSYNC interrupt is triggered by a low to high transition on the PWMSYNC pulse.

The  $\overline{\text{PWMTRIP}}$  interrupt is triggered on a high-to-low transition on the  $\overline{\text{PWMTRIP}}$  pin. A PIO interrupt is detected on any change of state (high-to-low or low-to-high) on the PIO line. When a peripheral interrupt is detected, a flag bit is set in the IRQFLAG register for PWMSYNC and  $\overline{\text{PWMTRIP}}$  or in the

PIOFLAG register for a PIO interrupt, and the  $\overline{\text{IRQ2}}$  line is pulled low. The  $\overline{\text{IRQ2}}$  line is held low until all pending peripheral interrupts are acknowledged. Execution then begins at the  $\overline{\text{IRQ2}}$  (or peripheral) interrupt vector location (0x004). Software at this location further determines if the source of the interrupt was a PWM trip, PWYMSYNC, or PIO, by reading the IRQFLAG register, and vectors to the appropriate interrupt vector location. If more than one interrupt occurs simultaneously, the higher priority interrupt service routine is executed. The software at location 0x004 is provided in a default interrupt vector table that is created by the on-chip boot ROM code. Therefore, a user need only put the interrupt service routine for the given interrupt at the interrupt vector location shown in Table IV. Reading the IRQFLAG register clears the  $\overline{\text{PWMTRIP}}$  and PWMSYNC bits and acknowledges the interrupt, thus allowing further interrupts when the interrupt service routine exits. When the IRQFLAG register is read, it is saved in a data memory variable so the user interrupt service routines can check to see if there were simultaneous  $\overline{\text{PWMTRIP}}$  and PWMSYNC interrupts.

A user's PIO interrupt service routine must read the PIOFLAG register to determine which PIO port is the source of the interrupt. Reading the PIOFLAG register clears all bits in the register and acknowledges the interrupt, thus allowing further interrupts when the interrupt service routine exits.

All interrupts are internally prioritized and individually maskable (except for power-down). The interrupt vector locations and priorities for all interrupts are listed in Table IV. Interrupts can be masked or unmasked with the IMASK register. Individual interrupt requests are logically ANDed with the bits in IMASK; the higher priority unmasked interrupt is then selected. The software forced power-down interrupt is nonmaskable. The ADMC330 masks all interrupts for one instruction cycle following the execution of an instruction that modifies the IMASK register. This does not affect autobuffering.

**Table IV. Interrupt Priority and Interrupt Vector Addresses**

Source of Interrupt	Interrupt Vector Location (Hex)
Reset	0x0000 (Reserved)
$\overline{\text{PWMTRIP}}$ and Power-Down*	0x002C (Highest Priority)
PWMSYNC*	0x000C
PIO*	0x0008
SPORT0 Transmit	0x0010
SPORT0 Receive	0x0014
Software Interrupt 1	0x0018
Software Interrupt 0	0x001C
SPORT1 Transmit or $\overline{\text{IRQ1}}$	0x0020
SPORT1 Receive or $\overline{\text{IRQ0}}$	0x0024
Timer	0x0028 (Lowest Priority)

\*Peripheral interrupt ( $\overline{\text{IRQ2}}$ ) starts execution at 0x004, software further vector to 0x002C, 0x000C or 0x0008 as appropriate.

# ADMC330

The interrupt control register, ICNTL, allows the external interrupts to be either edge- or level-sensitive. Since the  $\overline{\text{IRQ2}}$  line is a combination of all peripheral interrupt sources, they will all be set to edge- or level-sensitive. Level-sensitive is recommended when using both PIO and PWM interrupts together. When simultaneous PIO and PWM interrupts occur, the  $\overline{\text{IRQ2}}$  line is brought low and held low until both the PIO and PWM interrupts are acknowledged. If interrupts are set to edge-sensitive only, one  $\overline{\text{IRQ2}}$  interrupt will occur for simultaneous interrupts and it is incumbent on the interrupt service routine to check for simultaneous interrupts. If, however, interrupts are set to level-sensitive, all simultaneous interrupts are detected because  $\overline{\text{IRQ2}}$  is held low until all interrupts are acknowledged.

The ICNTL register also allows interrupts to be sequentially processed or nested with higher priority interrupts taking precedence. Since the peripheral interrupts are all on the same level ( $\overline{\text{IRQ2}}$ ), they can only be nested by manually unmasking them with the IMASK register from inside the interrupt service routine.

The IFC register is a write-only register, which is used to force and clear interrupts from software.

On-chip stacks preserve the processor status and are automatically maintained during interrupt handling. The stacks are 12 levels deep to allow interrupt nesting. A set of shadow registers are provided for single context switching.

## Power-Down

The ADMC330 can be put in a lower power state from software control by setting the PDFORCE bit in the SPORT1 Autobuffer/Power-Down register. This causes a power-down interrupt; execution then continues at the power-down interrupt vector location 0x002C. The power-down interrupt vector location is shared with the PWMTRIP interrupt, thus if a different interrupt service routine is required, the vector must be changed prior to setting the PDFORCE bit. The power-down interrupt service routine must perform a peripheral reset prior to entering power-down to shut down the PWM signals to the motor. The interrupt service routine can then perform any housekeeping operations prior to executing an IDLE instruction, after which the ADMC330 is in power-down mode. The only way out of power-down is to perform a hardware reset of the ADMC330.

## Clock Signals

The ADMC330 can be clocked by either a crystal or a TTL-compatible clock signal.

The CLKIN input cannot be halted, changed during operation or operated below the specified frequency during normal operation.

If an external clock is used, it should be a TTL-compatible signal running at half the instruction rate. The signal is connected to the processor's CLKIN input. When an external clock is used, the XTAL input *must* be left unconnected.

The ADMC330 uses an input clock with a frequency equal to half the instruction rate; a 10 MHz input clock yields a 50 ns processor cycle (which is equivalent to 20 MHz). Normally, instructions are executed in a single processor cycle. All device

timing is relative to the internal instruction clock rate, which is indicated by the CLKOUT signal when enabled.

Because the ADMC330 includes an on-chip oscillator circuit, an external crystal may be used. The crystal should be connected across the CLKIN and XTAL pins, with two capacitors connected as shown in Figure 10. A parallel-resonant, fundamental frequency, microprocessor-grade crystal should be used.

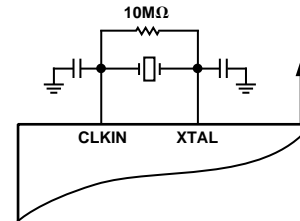


Figure 10. External Crystal Connections

A clock output (CLKOUT) signal is generated by the processor at the processor's cycle rate.

## Reset

The  $\overline{\text{RESET}}$  signal initiates a master reset of the ADMC330. The  $\overline{\text{RESET}}$  signal must be asserted during the power-up sequence to assure proper initialization.  $\overline{\text{RESET}}$  during initial power-up must be held long enough to allow the internal clock to stabilize. If  $\overline{\text{RESET}}$  is activated any time after power-up, the clock continues to run and does not require stabilization time.

The power-up sequence is defined as the total time required for the crystal oscillator circuit to stabilize after a valid  $V_{\text{DD}}$  is applied to the processor, and for the internal phase-locked loop (PLL) to lock onto the specific crystal frequency. A minimum of 2000 CLKIN cycles ensures that the PLL has locked, but does not include the crystal oscillator start-up time. During this power-up sequence the  $\overline{\text{RESET}}$  signal should be held low.

The  $\overline{\text{RESET}}$  input contains some hysteresis; however, if you use an RC circuit to generate your  $\overline{\text{RESET}}$  signal, the use of an external Schmitt trigger is recommended.

The master reset sets all internal stack pointers to the empty stack condition, masks all interrupts and clears the MSTAT register. When  $\overline{\text{RESET}}$  is released, the DSP starts running from the internal ROM and the boot loading sequence is performed. If an SROM (serial ROM) or Serial EEPROM is connected to SPORT1 with valid program data, this code is then loaded and execution starts. If a valid device is not detected, then the program defaults to debug mode with SPORT1 configured as a UART running at 9600 baud.

A software controlled full peripheral reset (including the watchdog timer) is achieved by toggling the DSP FL2 flag from 1 to 0 to 1 again.

## MEMORY MAP

The ADMC330 has two types of memory: data memory and program memory. Program RAM starts at 0x0000, while the program ROM area starts at 0x800. The data RAM starts at 0x3800 while the peripherals are mapped to a data memory block starting at 0x2000.

**Table V. Program Memory**

0x0000–0x002F	Interrupt Vector Table
0x0030–0x07FF	User Program Space
0x0800–0x0BFF	ROM Monitor
0x0C00–0x0FFF	ROM Math Utilities

**Table VI. Data Memory**

0x2000–0x201F	Peripherals
0x3800–0x3B8F	User Data Space
0x3B90–0x3BFF	Reserved for ROM Monitor Use

## ADMC330 Registers

Some registers store values. For example, AX0 stores an ALU operand; I4 stores a DAG2 pointer. Other registers consist of control bits and fields, or status flags. For example, ASTAT contains status flags from arithmetic operations, and fields in DWAIT control the numbers of wait states for different zones of data memory.

A secondary set of registers in all computational units allows a single-cycle context switch.

The bit and field definitions for control and status registers are given in the rest of this section, except for IMASK, ICNTL and IFC, which are defined earlier in this data sheet. The system control register, timer registers and SPORT control registers are all mapped into data memory; that is, registers are accessed by reading and writing data memory locations rather than register names. The particular data memory address is shown with each memory-mapped register.

## Biased Rounding

A new mode allows biased rounding in addition to the normal unbiased rounding. When the BIASRND bit is set to 0, the normal unbiased rounding operations occur. When the BIASRND bit is set to 1, biased rounding occurs instead of the normal unbiased rounding. When operating in biased rounding mode all rounding operations with MR0 set to 0x8000 will round up, rather than only rounding odd MR1 values up. For example:

MR value before RND	biased RND result	unbiased RND result
00-0000-8000	00-0001-8000	00-0000-8000
00-0001-8000	00-0002-8000	00-0002-8000
00-0000-8001	00-0001-8001	00-0001-8001
00-0001-8001	00-0002-8001	00-0002-8001
00-0000-7FFF	00-0000-7FFF	00-0000-7FFF
00-0001-7FFF	00-0001-7FFF	00-0001-7FFF

This mode only has an effect when the MR0 register contains 0x8000; all other rounding operation work normally. This mode was added to allow more efficient implementation of bit specified algorithms that specify biased rounding, such as the GSM speech compression routines. Unbiased rounding is preferred for most algorithms.

Note: BIASRND bit is Bit 12 of the SPORT0 Autobuffer Control register.

## INSTRUCTION SET DESCRIPTION

The ADMC330 assembly language instruction set has an algebraic syntax that was designed for ease of coding and readability. The assembly language, which takes full advantage of the processor's unique architecture, offers the following benefits:

- The algebraic syntax eliminates the need to remember cryptic assembler mnemonics. For example, a typical arithmetic add instruction, such as  $AR = AX0 + AY0$ , resembles a simple equation.
- Every instruction assembles into a single, 24-bit word that can execute in a single instruction cycle.
- The syntax is a superset ADSP-2100 Family assembly language and is completely source and object code compatible with other family members.
- Sixteen condition codes are available. For conditional jump, call, return or arithmetic instructions, the condition can be checked and the operation executed in the same instruction cycle.
- Multifunction instructions allow parallel execution of an arithmetic instruction with up to two fetches or one write to processor memory space during a single instruction cycle.

Consult the *ADSP-2100 Family User's Manual* for a complete description of the syntax and an instruction set reference with particular reference to the ADSP-2171 device.

### Interrupt Enable

The ADMC330 supports an interrupt enable instruction. Interrupts are enabled by default at reset. The instruction source code is specified as follows:

**Syntax:** ENA INTS;

**Description:** Executing the ENA INTS instruction allows all unmasked interrupts to be serviced again.

### Interrupt Disable

The ADMC330 supports an interrupt disable instruction. The instruction source code is specified as follows:

**Syntax:** DIS INTS;

**Description:** Reset enables interrupt servicing. Executing the DIS INTS instruction causes all interrupts to be masked without changing the contents of the IMASK register. Disabling interrupts does not affect the autobuffer circuitry, which will operate normally whether or not interrupts are enabled. The disable interrupt instruction masks all user interrupts including the power-down interrupt.

# ADMC330

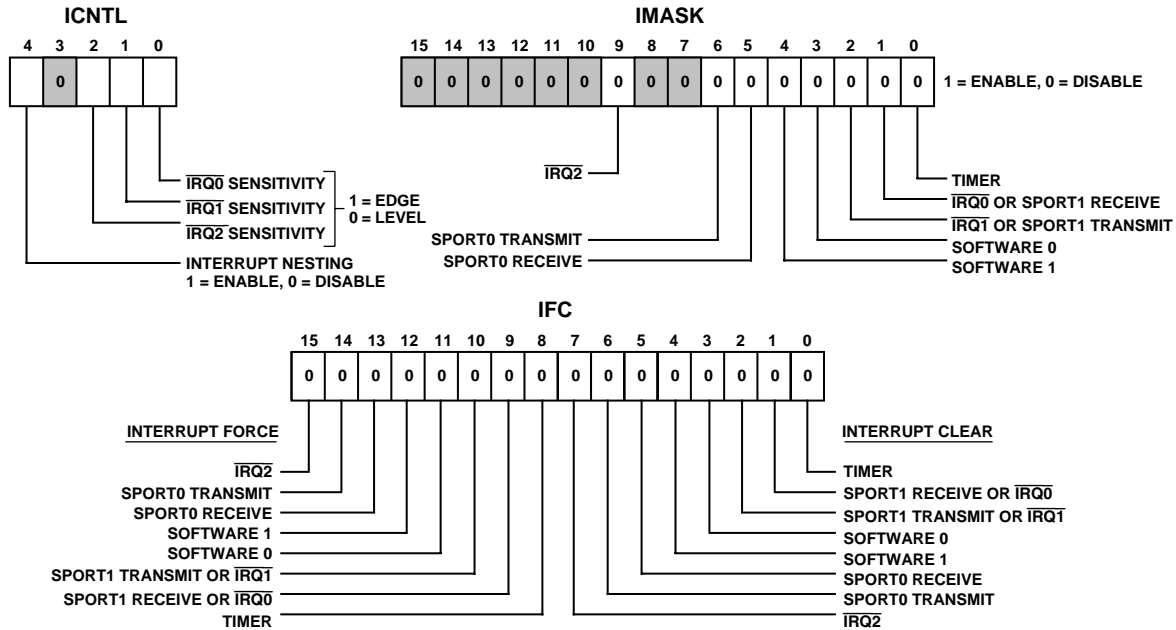


Figure 11. Interrupt Registers

## SYSTEM CONTROLLER OVERVIEW

The System Controller has a number of functions:

1. It decodes the DSP address bus and selects the appropriate peripheral registers.
2. It controls the ADC multiplexer select lines.
3. It can enable  $\overline{\text{PWMTRIP}}$  and  $\text{PWMSYNC}$  interrupts.
4. It controls the SPORT0 multiplexer select lines.
5. It resets the peripherals and control registers on hardware, software or watchdog initiated resets.
6. It handles interrupts generated by the peripherals and generates a DSP core interrupt signal  $\overline{\text{IRQ1}}$  ( $\overline{\text{IRQ2}}$ ).
7. It can be used to control the peripheral test modes.

## DSP INTERFACE AND MEMORY MAP

All data transferred between the DSP core and the peripherals is controlled by the System Controller.

The peripheral registers, with the exception of the ADC read registers, are right justified, i.e., the LSB of each register is connected to the LSB of the 16-bit DSP DM data bus DSPD [15:0]. Any unused MSBs are connected to zeros. The ADMC peripheral registers are memory mapped to 32 words on the DSP address space, starting at DSP memory location 0x2000:

1. ADC read registers (0-3)
2. PIO Registers (4-7)
3. PWM Set-Up Registers (8-11)
4. PWM Data Registers (12-15)
5. AUX PWM Data Registers (16, 17)
6. System Registers (21-24)



**Table VII. Peripheral Register Map**

Address (HEX)	Offset (Decimal)	Name	Bits Used	Function
0x2000	0	ADC1	[4..15]	ADC Results for V1
0x2001	1	ADC2	[4..15]	ADC Results for V2
0x2002	2	ADC3	[4..15]	ADC Results for V3
0x2003	3	ADCAUX	[4..15]	ADC Results for VAUX
0x2004	4	PIODIR	[0..7]	PIO Pins Direction Setting
0x2005	5	PIODATA	[0..7]	PIO Pins Input/Output Data
0x2006	6	PIOINTEN	[0..7]	PIO Pins Interrupt Enable
0x2007	7	PIOFLAG	[0..7]	PIO Pins Interrupt Status
0x2008	8	PWMTM	[0..11]	PWM Period
0x2009	9	PWMDT	[0..6]	PWM Deadtime
0x200A	10	PWMPD	[0..6]	PWM Pulse Deletion Time
0x200B	11	PWMGATE	[0..8]	PWM Gate Drive Configuration
0x200C	12	PWMCHA	[0..11]	PWM Channel A Pulsewidth
0x200D	13	PWMCHB	[0..11]	PWM Channel B Pulsewidth
0x200E	14	PWMCHC	[0..11]	PWM Channel C Pulsewidth
0x200F	15	PWMSEG	[0..8]	PWM Segment Select
0x2010	16	AUX0	[0..7]	AUX PWM Output 1
0x2011	17	AUX1	[0..7]	AUX PWM Output 2
0x2012	18			Not Used
0x2013	19			Not Used
0x2014	20			Not Used
0x2015	21	MODECTRL	[0..15]	System Control Register
0x2016	22	SYSSTAT	[0..1]	System Status
0x2017	23	IRQFLAG	[0..2]	Interrupt Status
0x2018	24	WDTIMER	[0..15]	Watchdog Timer
0x2019..F	25..31			Not Used

### Multiplexer, PWM Interrupts and SPORT1 Control

The ADC, the SPORT1 peripherals and the PWM interrupts are configured using the MODECTRL register.

- Two bits control the ADC aux channel selection: ADCMUX0..1.
- Two bits can enable/disable the  $\overline{\text{PWMTRIP}}$  and PWMSYNC interrupts.
- Two bits control the SPORT1 UART and DR1A/B multiplexer.

The PWM interrupt enable bits are masking bits rather than set/reset bits. Therefore, before enabling these interrupts any pending interrupts can be cleared by reading the IRQFLAG register.

Setting the UARTEN bit connects DR1 to the RFS1 input, which allows SPORT1 to be used as a UART port. The DR1SEL bit selects either pins DR1A or DR1B. The reset condition for all bits in this register is zero.

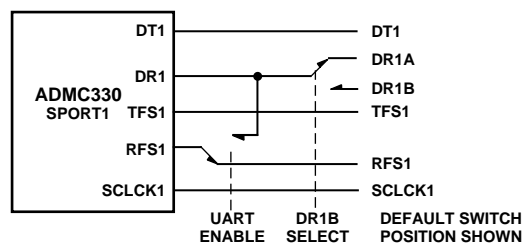


Figure 12. Internal Multiplexing of SPORT1 Pins

### The DSP and Peripheral Reset Functions

A full system reset of the ADCM330 is achieved by pulling the RESET pin low (for > 5 clock cycles when running, or > 2000 clock cycles on power-up). This resets the DSP core and all peripherals including the watchdog timer.

The SYSSTAT register indicates the fault status of the ADCM330 after a  $\overline{\text{PWMTRIP}}$  interrupt or a watchdog reset:

- The status of the  $\overline{\text{PWMTRIP}}$  pin (active low).
- The status of the watchdog flag register (this is not reset on a DSP RESET).
- The status of the PWMPOL pin.

When one of the peripherals generates an interrupt, the DSP  $\overline{\text{IRQ2}}$  line is pulled low and a flag bit is set in the IRQFLAG register for PWMSYNC and  $\overline{\text{PWMTRIP}}$  or in the PIOFLAG register for a PIO interrupt. The DSP can read these registers to determine the source of the interrupt. When the IRQFLAG register is read, the PWMSYNC and  $\overline{\text{PWMTRIP}}$  bits are cleared to zero. Reading the PIOFLAG register clears all the bits in this register to zero. When both registers are cleared, the  $\overline{\text{IRQ2}}$  line is set high again. The reset condition for all bits in this register is zero.

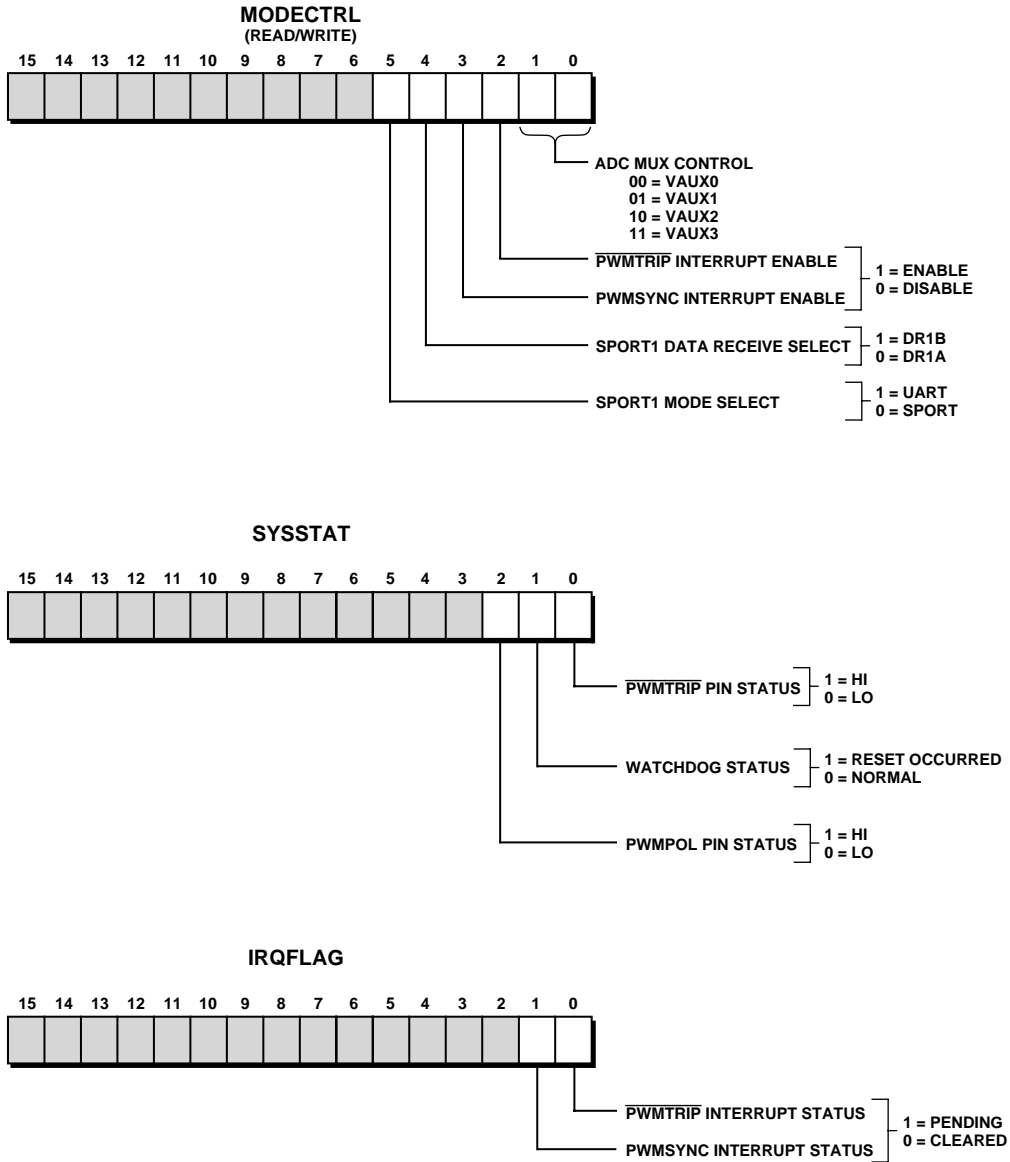


Figure 13. Configuration of MODECTRL, SYSSTAT and IRQFLAG Registers

TIMING PARAMETERS

SERIAL PORTS

Parameter	12.5 MHz		13.0 MHz		13.824 MHz*		Frequency Dependency		Unit
	Min	Max	Min	Max	Min	Max	Min	Max	
<i>Timing Requirement:</i>									
$t_{SCK}$ SCLK Period	80		76.9		72.3		100		ns
$t_{SCS}$ DR/TFS/RFS Setup before SCLK Low	8		8		8		15		ns
$t_{SCH}$ DR/TFS/RFS Hold after SCLK Low	10		10		10		20		ns
$t_{SCP}$ SCLK <sub>IN</sub> Width	30		28		28		40		ns
<i>Switching Characteristic:</i>									
$t_{CC}$ CLKOUT High to SCLK <sub>OUT</sub>	20	35	19.2	34.2	18.1	33.1	$0.25 t_{CK}$	$0.25 t_{CK} + 20$ ns	
$t_{SCDE}$ SCLK High to DT Enable	0		0		0		0		ns
$t_{SCDV}$ SCLK High to DT Valid		20		20		20		30	ns
$t_{RH}$ TFS/RFS <sub>OUT</sub> Hold after SCLK High	0		0		0		0		ns
$t_{RD}$ TFS/RFS <sub>OUT</sub> Delay from SCLK High		20		20		20		30	ns
$t_{SCDH}$ DT Hold after SCLK High	0		0		0		0		ns
$t_{TDE}$ TFS (Alt) to DT Enable	0		0		0		0		ns
$t_{TDV}$ TFS (Alt) to DT Valid		18		18		18		25	ns
$t_{SCDD}$ SCLK High to DT Disable		25		25		25		40	ns
$t_{RDV}$ RFS (Multichannel, Frame Delay Zero) to DT Valid		20		20		20		30	ns

\*Maximum serial port operating frequency is 13.824 MHz for all processor speed grades except the 12.5 MHz ADSP-2101 and 13.0 MHz ADSP-2111.

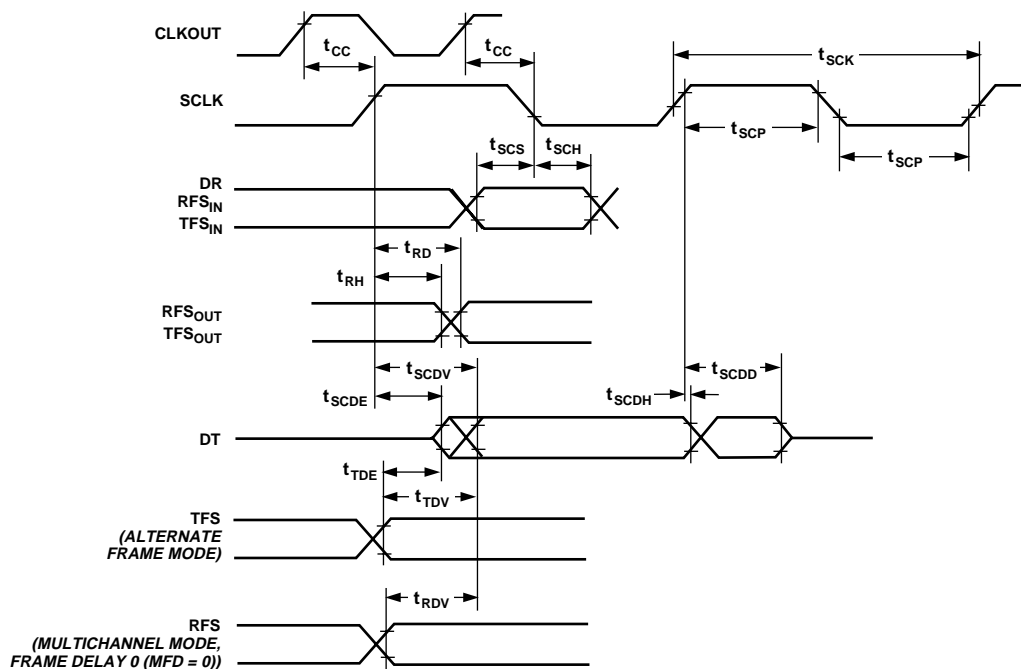


Figure 14. Serial Ports

**OUTLINE DIMENSIONS**

Dimensions shown in inches and (mm).

**80-Lead Plastic Thin Quad Flatpack (TQFP)  
(ST-80)**

