



Evaluation Board Documentation

AD7756 Energy Metering IC

Preliminary Technical Data

EVAL-ADE7756EB

FEATURES

- Evaluation Board is designed to be used together with accompanying software to implement a fully functional Energy Meter (Watt-Hour Meter).**
- Easy connection of various external transducers via screw terminals.**
- Easy modification of signal conditioning components using PCB sockets.**
- LED indicators on logic outputs CF, ZX, SAG and IRQ.**
- Optically isolated data output connection to PC parallel port.**
- Optically isolated frequency output (CF) to BNC.**
- External Reference option available for on-chip reference evaluation.**

GENERAL DESCRIPTION

The ADE7756 is a high accuracy electrical power measurement IC with a serial interface and a pulse output. The ADE7756 incorporates two second order sigma delta ADCs, reference circuitry, temperature sensor and all the signal processing required to perform active power and energy measurement. This documentation describes the ADE7756 evaluation kit Hardware and Software functionality. The ADE7756

evaluation board, together with the ADE7756 data sheet and this documentation provides a complete evaluation platform for the ADE7756.

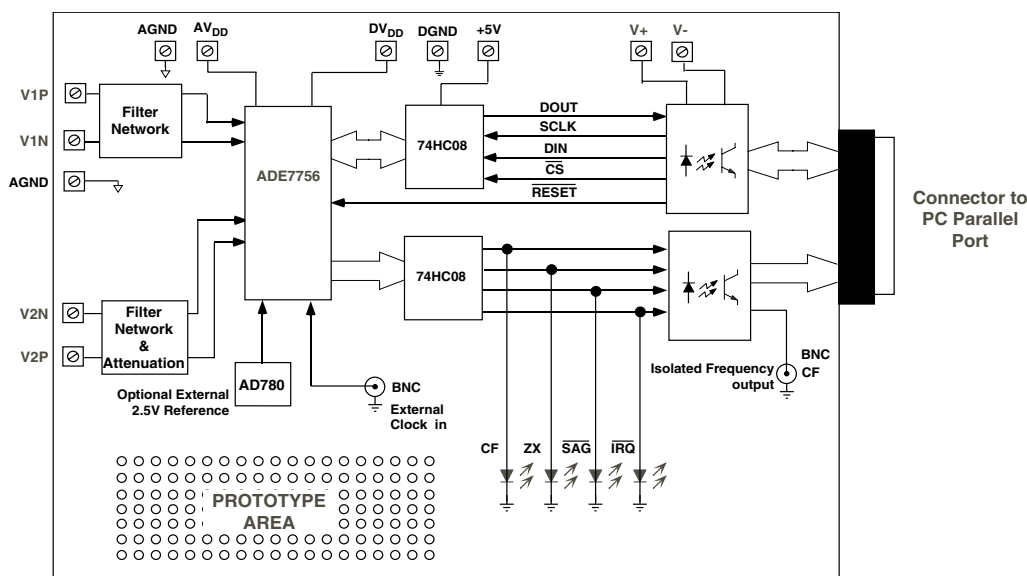
The evaluation board has been designed so that the ADE7756 can be evaluated in the end application, i.e., Watt-Hour Meter. Using the appropriate transducers on the current channel (e.g., shunt, CT etc.) the evaluation board can be connected to a test bench or high voltage (240V rms) test circuit. An on-board resistor divider network provides the attenuation for the line voltage. This application note also describes how the current transducers should be connected for the best performance.

The evaluation board (watt-hour meter) is configured and calibrated via the parallel port of a PC. The data interface between the evaluation board and the PC is fully isolated. Windows™ based software is provided with the evaluation board which allows it to be quickly configured as an energy meter.

The evaluation board also functions as a stand alone evaluation system which can be easily incorporated into an existing system via a 25 way D-Sub connector.

The evaluation board requires two external 5V power supplies (one is required for isolation purposes) and the appropriate current transducer.

FUNCTIONAL BLOCK DIAGRAM



REV. PrB 01/01

Information furnished by Analog Devices is believed to be accurate and reliable. However, no responsibility is assumed by Analog Devices for its use, nor for any infringements of patents or other rights of third parties which may result from its use. No license is granted by implication or otherwise under any patent or patent rights of Analog Devices.

One Technology Way, P.O. Box 9106, Norwood, MA 02062-9106, U.S.A.
Tel: 617/329-4700 Fax: 617/326-8703

EVAL-ADE7756EB

ANALOG INPUTS (SK1 AND SK2)

Voltage and current signals are connected at the screw terminals SK1 and SK2 respectively. All analog input signals are filtered using the on-board anti-alias filters before being presented to the analog inputs of the ADE7756. The default component values which are shipped with the evaluation board are the recommended values to be used with the ADE7756. The user can easily change these components, however this is not recommended unless the user is familiar with sigma-delta converters and also the criteria used for selecting the component values for the analog input filters—see AN-559 for a more comprehensive description of the anti-alias filters and their function.

Current sense inputs (SK2)

SK2 is a three-way connection block which allows the ADE7756 to be connected to a current transducer. Figure 1 shows the connector SK2 and the filtering network which is provided on the evaluation board.

The resistors SH1A and SH1B are by default not populated. They are intended to be used as burden resistors when a CT is used as the current transducer—see using a CT as the current transducer.

The RC networks R41/C11 and R42/C21 are used to provide phase compensation when a shunt is being used as the current transducer—see using a shunt as the current transducer. These RC networks are easily disabled by placing JP15 & JP25 and removing C11 & C21 (socketed).

The RC networks R50/C50 & R51/C51 are the anti-alias filters which are required by the on-chip ADCs. The default corner frequency for these LPFs (Low Pass Filters) is selected as 4.8kHz (1k Ω & 33nF). These filters can easily be adjusted by replacing the components on the evaluation board. However before adjusting the component values of R50, R51, C50 or C51 the user should first review application note AN-559.

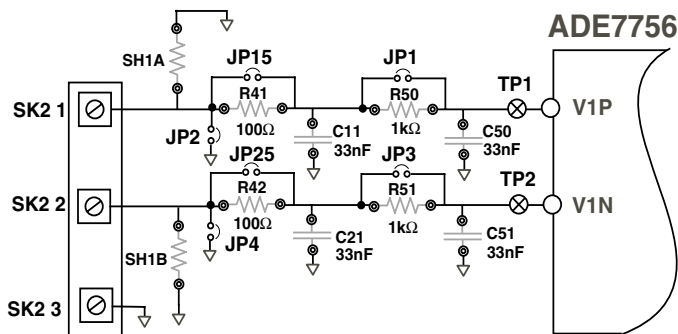


Figure 1 — Current Channel on the ADE7756 evaluation board

Using a CT as the current transducer

Figure 2 shows how a CT can be used as a current transducer in a signal phase 3-wire distribution system. This is how electrical energy is distributed to residential users in the United States. Phase A and Phase B are nominally 180° out of phase. The vector addition of the two currents is easily achieved by using two primary turns of opposite polarity on the CT.

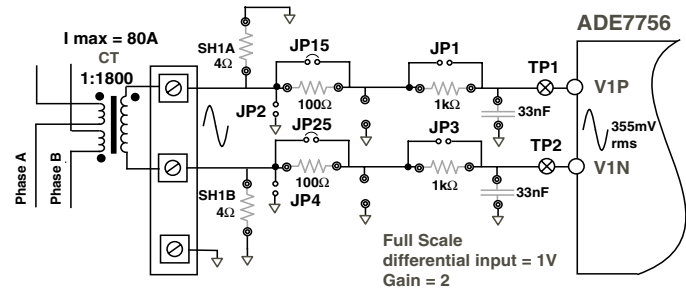


Figure 2 — CT connection to Current Channel

The CT secondary current is converted to a voltage by using a burden resistance across the secondary winding outputs. Care should be taken when using a CT as the current transducer. If the secondary is left open, i.e., no burden is connected, a large voltage could be present at the secondary outputs. This can cause an electrical shock hazard and potentially damage electronic components.



Warning!

Using a CT without a burden resistor can lead to electrical shock.

When using a CT as the current sensor, the phase compensation network for a shunt application should be disabled. This is achieved by closing jumpers JP15/JP25 and removing C11/C21.

The anti-alias filters should be enabled by opening jumpers JP1/JP3—see Figure 2.

Most CTs will have an associated phase shift of between 0.1° and 1° at 50Hz/60Hz. This phase shift or phase error can lead to significant energy measurement errors, especially at low power factors—see AN-559 for more information. However this phase error can be corrected by writing to the Phase Calibration register (PHCAL) in the ADE7756. The software supplied with the ADE7756 evaluation board allows user adjustment of the Phase Calibration register. See the *Evaluation Software Description* for more information.

For this example, notice that the maximum analog input range on Channel 1 is set to 1V. And the Gain for Channel 1 has been set to 2. The maximum analog input range and gain are set via the Gain register (GAIN)—see the ADE7756 data sheet. The evaluation software allows the user to configure the channel range and gain. This means that the maximum peak differential signal on Channel 1 is 0.5V.

PRELIMINARY TECHNICAL DATA

EVAL-ADE7756EB

Using a shunt resistor as the current transducer

Figure 3 shows how a shunt resistance can be used to perform the current to voltage conversion required for the ADE7756. A shunt is a very cost effective way to perform the current to voltage conversion in a two-wire, single-phase application. No isolation is required in a two-wire application and the shunt has advantages over the CT arrangement. For example a shunt does not suffer from dc saturation problems and the phase response of the shunt is linear over a very wide dynamic range. Although the shunt is predominately resistive, it does have parasitic reactive elements (inductance) which can become significant, even at 50Hz/60Hz. This means that there can be a small phase shift associated with the shunt. However once it is understood the phase shift is easily compensated with the filter network R41/C11 and R42/C21—see AN-559 for a detailed discussion of this issue.

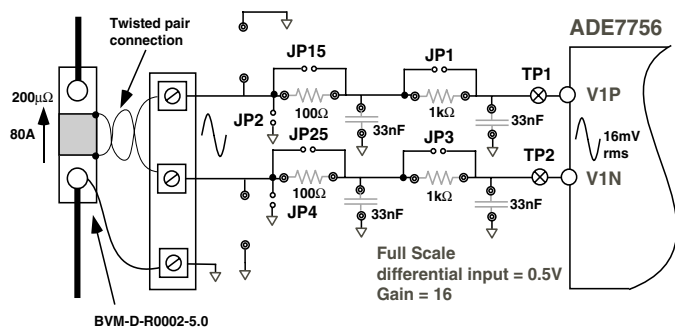


Figure 3 — Shunt connection to Current Channel

The shunt used in this example is a 200µΩ manganin type. The resistance of the shunt should be as low as possible in order to avoid excessive power dissipation in the shunt. Although the shunt is fabricated from a special alloy (manganin) which has a very low temperature coefficient of resistance, excessive heating due to power dissipation can cause measurement inaccuracies when operating at heavy loads over extended periods of time.

The manganin shunt used in this example (BVM-D-R0002-5.0) is designed specifically for energy metering applications and is supplied by Isotek Corp. (<http://www.isotekcorp.com>).

This shunt is PCB mountable with a current carrying ability of 70A rms. The technical data supplied by Isotek Corp. gives detailed information regarding PCB layout. Figure 3 shows how the shunt can be connected to the evaluation board. Two sense wires should be soldered to the shunt at the copper/manganium junctions as shown. These sense wires should be formed into a twisted pair to reduce the loop area which will reduce antenna effects. A connection for the common mode voltage can be made at the connection point for the current carrying conductor—see Figure 3.

Voltage sense inputs

The voltage input connections on the ADE7756 evaluation board can be directly connected to the line voltage source. The line voltage is attenuated using a simple resistor divider network before it is presented to the ADE7756. Because of the relatively large signal on this channel and the small dynamic range requirement, the voltage channel can be configured in a single-ended configuration. Figure 4 shows a typical connection for the line voltage.

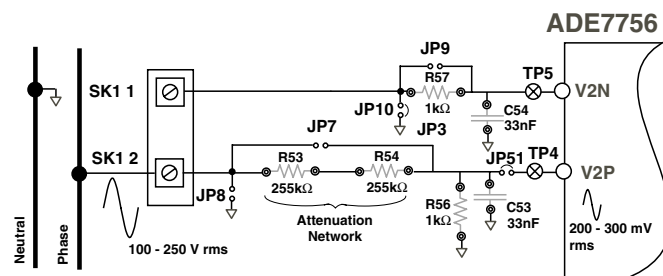


Figure 4 — Voltage Channel on the ADE7756 evaluation board

Note that the analog inputs V2N is connected to AGND via the anti-alias filter R57/C54 using JP10. Jumper JP9 should be left open.

The voltage attenuation network is made up of R53, R54 and R56. The maximum signal level permissible at V2P is 1V peak. Although the ADE7756 analog inputs can withstand ±6V without risk of permanent damage, the signal range should not exceed ±1V with respect to AGND, for specified operation.

The attenuation network can be easily modified by the user to accommodate any input signal levels. However the value of R56 (1kΩ) should not be altered as the phase response of Channel 2 should match that of Channel 1—see AN-559 (Attenuation Network).

EVAL-ADE7756EB

JUMPER SETTINGS

JUMPER	OPTION	DESCRIPTION
JP1	Closed	This will short out R50. The effect is to disable the anti-alias filter on the analog input V1P. Default Open.
	Open	Enable the anti-alias filter on V1P.
JP2	Closed	This will connect the analog input V1P to ground. Default Open.
JP3	Closed	This will short out R51. The effect is to disable the anti-alias filter on the analog input V1N. Default Open.
	Open	Enable the anti-alias filter on V1N.
JP4	Closed	This will connect the analog input V1N to ground. Default Open.
JP5	A	This connects the buffered logic output \overline{IRQ} to the LED1.
	B	This connects the buffered logic output \overline{IRQ} to pin 10 on the D-Sub connector via an optical isolator.
JP6	A	This connects the buffered logic output \overline{SAG} to the LED2.
	B	This connects the buffered logic output \overline{SAG} to pin 11 on the D-Sub connector via an optical isolator.
JP7	Closed	This will short the attenuation network on Channel 2. Default open.
JP8	Closed	This will connect the analog input V2P to ground. Default Open.
JP9	Closed	This will short out R57. The effect is to disable the anti-alias filter on the analog input V2N. Default Open.
	Open	Enable the anti-alias filter on V2N.
JP10	Closed	This will connect the analog input V2N to ground. Default Open.
JP11	Closed	This will connect the Analog and Digital ground planes of the PCB. Default Closed.
JP12	A	This connects the buffered logic output CF to the LED4.
	B	This connects the buffered logic output CF to BNC2 connector via an optical isolator.
JP13	Closed	This will connect an external reference 2.5V (AD780) to the ADE7756.
	Open	This will enable the ADE7756 on-chip reference.
JP14	Closed	This will connect the optical isolator ground to the evaluation board ground (DGND). If full isolation between the evaluation board and PC is required, this jumper should be left open.
JP15	Closed	This will short out R41. The effect is to disable the phase compensation filter (for shunts) on the analog input V1P. Default Closed.
JP19	A	This connects the buffered logic output ZX to the LED3.
	B	This connects the buffered logic output ZX to pin 12 on the D-Sub connector via an optical isolator.
JP20	Closed	This connects the AVDD and DVDD supply for the evaluation board together. Default Closed.
JP21	Closed	This connects the DVDD and +5V (buffers) supply for the evaluation board together. Default Closed.
JP25	Closed	This will short out R42. The effect is to disable the phase compensation filter (for shunts) on the analog input V1N. Default Closed.
JP51	Closed	This will short out disconnect Analog input V2P from the ADE7756. Default Closed.

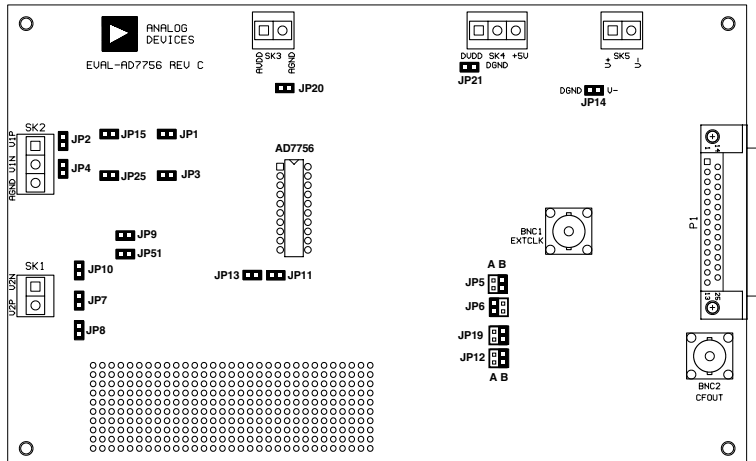


Figure 5 - ADE7756 evaluation board jumper positions

SETTING UP THE ADE7756 EVALUATION BOARD

Shown below is a typical set up for the ADE7756 evaluation board. In this example a kWh meter for a 3 wire, single phase distribution system is shown. For a more detailed description on how to use a CT as a current transducer see the *Current Sense Inputs* section of this documentation. The line voltage is connected directly to the evaluation board as shown. Note JP7 should be left open to ensure that the attenuation network is not bypassed. Also note the use of two power supplies. The second power supply is used to power the optical isolation. With JP14 left open, this will ensure that there is no electrical connection between the high voltage test circuit and the PC. The power supplies should have floating voltage outputs.

The evaluation board is connected to the PC parallel port using the cable supplied. The cable length should not exceed 6 feet (2 meters) or the serial communication between the PC and the evaluation board may become unpredictable and error prone.

When the evaluation board has been powered up and is connected to the PC, the supplied software can be launched. The software will automatically start in energy meter mode. The next section describes the ADE7756 evaluation software in detail and how it can be installed and uninstalled.

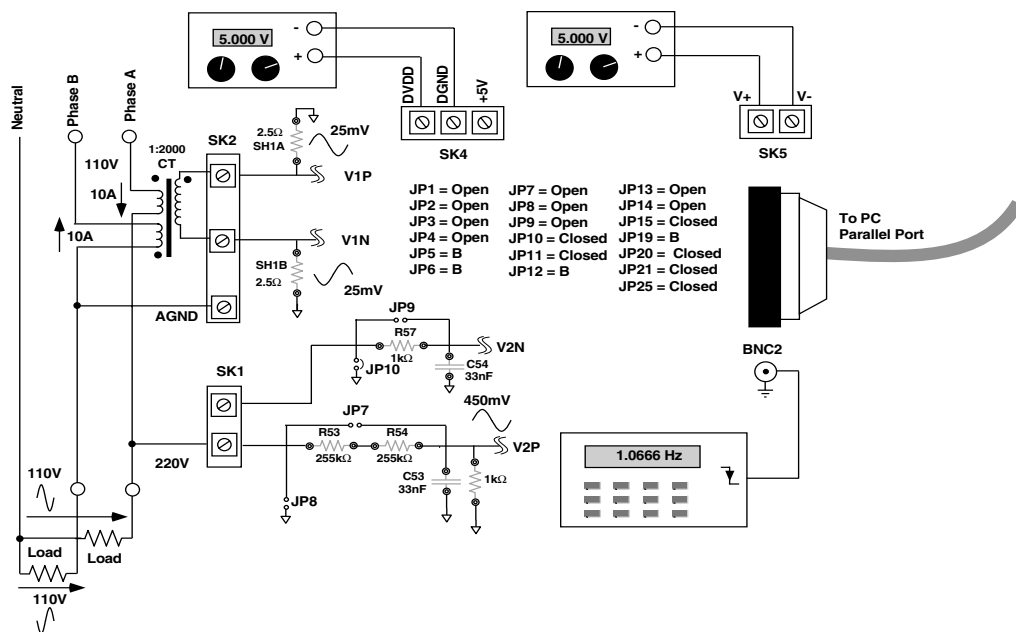


Figure 6 - Typical set up for the ADE7756 evaluation board

EVAL-ADE7756EB

ADE7756 EVALUATION SOFTWARE

The AD7756 evaluation board is supported by Windows based software which will allow the user to access all the functionality of the ADE7756. The software is designed to communicate with the ADE7756 evaluation board via the parallel port of the PC.

Installing the AD7756 Software

The ADE7756 Software is supplied on three 3.5" 1.44MB floppy disks. The minimum requirements for the PC are Pentium II 233MHz, 32 MB RAM, 10MB free HD space and at least one PS/2 or ECP parallel port. To install the software place disk #1 in the floppy drive and double click "setup.exe". This will launch the set up program which will automatically install all the software components including the uninstall program and create the required directories. When the set up program has finished installing the "ADE7756Eval" program the user will be prompted to install the National Instruments run-time engine. This software was developed using National Instruments LabView software and the run-time engine is required in order to run the "ADE7756Eval" program. When prompted simply place disk #2 in the floppy drive and hit return. Follow the on-screen instructions to complete the installation. You will need to reboot your computer to complete the installation.

To launch the software simply go to the Start—>Programs—>ADE7756 menu and click on "ADE7756Eval".

Uninstalling the ADE7756 Evaluation Software

Both the "ADE7756Eval" program and the NI run-time engine are easily uninstalled by using the Add/Remove Programs facility in the control panel. Simply select the program to uninstall and click the Add/Remove button.

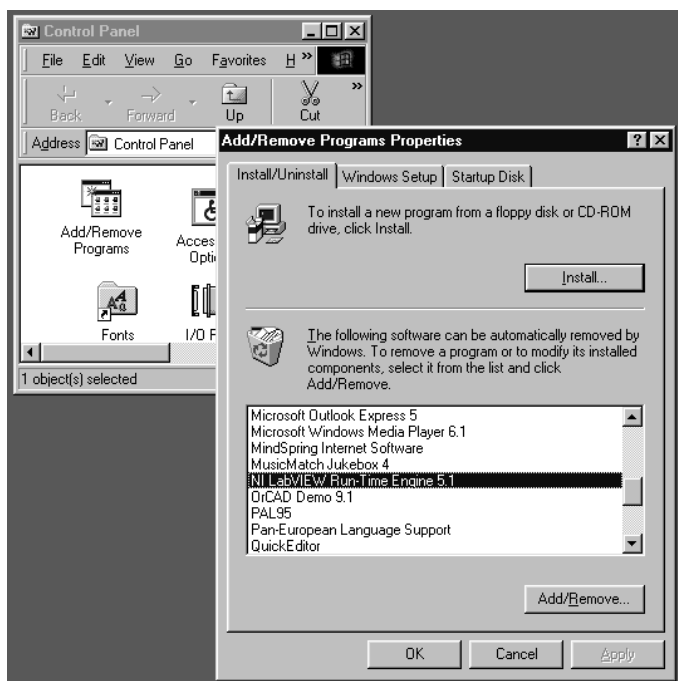


Figure 7 — Uninstalling the ADE7756 Eval Software

Metering Mode

When the software is launched, the program automatically starts in Meter Mode. In this mode the evaluation board can be used as a fully functional energy meter. When the appropriate line voltage, test current, frequency, and meter constant have been set up, the user can use the calibration routine to remove any error associated with the transducers. The CF output can be used with a standard frequency counter to check the accuracy. The measured CF output frequency should be adjusted to match the theoretical CF freq. of the Eval software.

Note that the calibration routine does not automatically remove phase errors associated with a CT or other transducer. These must be removed first by using the ADE7756 PHCAL Register. This is explained later.

Instantaneous Power, Voltage, and Current RMS calculations are also available in this window. They are processed using the Waveform Sampling routine with the number of samples defined in this mode.

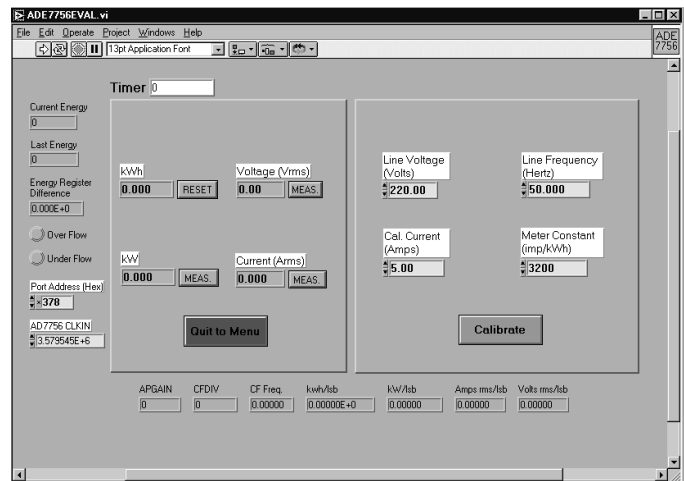


Figure 8 - Meter Mode

Note also that the input signal range and gain must be set for the PGAs on the Channel 1 and Channel 2. This will ensure that the output signal range from the transducers is matched to the analog inputs. For example, in the meter example shown in Figure 6 the line voltage is attenuated to approximately 215mV rms or 300mV peak. By selecting a gain of 2 for the PGA in Channel 2, the peak differential input signal is set to 500mV. Similarly for Channel 1, assuming a maximum current of 120A the maximum differential output signal from the CT is 300mV. Therefore the full-scale differential input signal level is set to 500mV by setting the gain to 2—see Table I in the ADE7756 data sheet. The PGA settings are made through the main selection menu. To get to the main selection menu click the "Quit to Menu" button at any time.

PRELIMINARY TECHNICAL DATA

EVAL-ADE7756EB

Calibrating the meter

In order to calibrate the energy meter, the line voltage, test current, line frequency and meter constant are entered as shown in Figure 8. In this example the line voltage is entered as 220V, test current is 5A, frequency is 50Hz and the required meter constant is 3200imp/kWh. With the parameters entered and the voltage and current circuits energized, click the calibrate button. The software will then execute the calibration routine and automatically start to register energy.

If a HP/AGILENT53131A frequency counter is connected to a GPIB card of the desktop computer, the software will automatically read the value of the CF frequency and process the calibration routine. In this case, the calibration takes about 5 seconds and the user will be notified when it is complete.

Otherwise, calibration can be proceeded by changing CFDIV and APGAIN registers as explained in the ADE7756 datasheet. The measured CF output frequency is then adjusted to match the theoretical CF freq. of the Eval software.

Ensure that the analog input signal levels have been matched to the transducer output signal levels as described previously.

Main Selection

In order to access all the internal registers of the ADE7756 the user must return to the Main Selection Menu. Figure 9 shows the Main Selection Menu and the various options. From here such things as phase compensation and Channel 1 and Channel 2 PGA setting can be made.

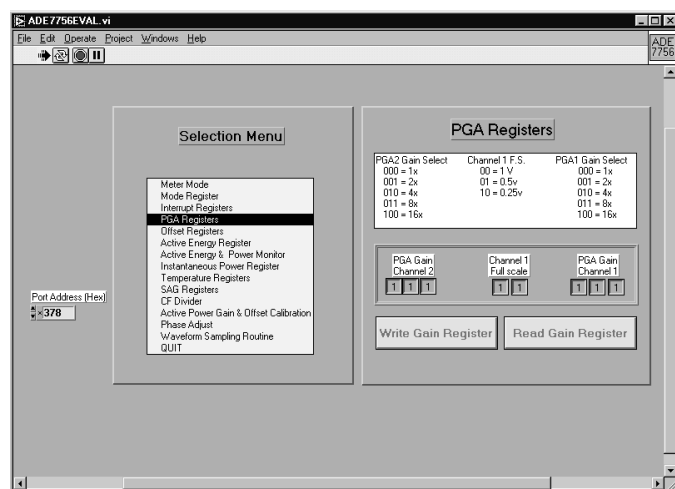


Figure 9—Selection Menu & PGA Settings

To select another option from the menu simply click on the selection menu. By using the selection menu the user can read and write the registers of the ADE7756. This software should be used in conjunction with the ADE7756 data sheet.

Waveform Sampling Routine

In this mode, the Evaluation Software programs the ADE7756 for Waveform sampling with an updated rate of 3.5ksps (CLKIN/1024). The user can define the number of samples needed and select the Signal Waveform to transfer. Three parameters are processed when the waveform is displayed: RMS value, Mean value and Standard Deviation.

When using this feature with sinewave signals, the user should be aware that if the samples represent a non entire number of period of the selected signal then the RMS and Mean values are biased. To correct this, the number of samples should be chosen to give an entire number of signal cycles:

$$\# \text{ samples} = \frac{\# \text{ signal cycles} \times \text{ADE7756 CLKIN Frequency}}{1024 \times \text{Signal Frequency}}$$

Note: If Channel 1 and Channel 2 are at the same frequency then the signal frequency of the Multiplier Waveform should be chosen as twice the Channel 1 Frequency to correct the Signal Processing bias.

On line help

The ADE7756 evaluation software also comes with on-line help features. In order to activate the help function goto Help on the Menu Bar and select "Show Help"—see Figure 10. A Help Window will open. In order to get a description of a particular option (e.g., button, text box etc.) move the cursor over the item of interest. The Help window will display a description of the selected item.

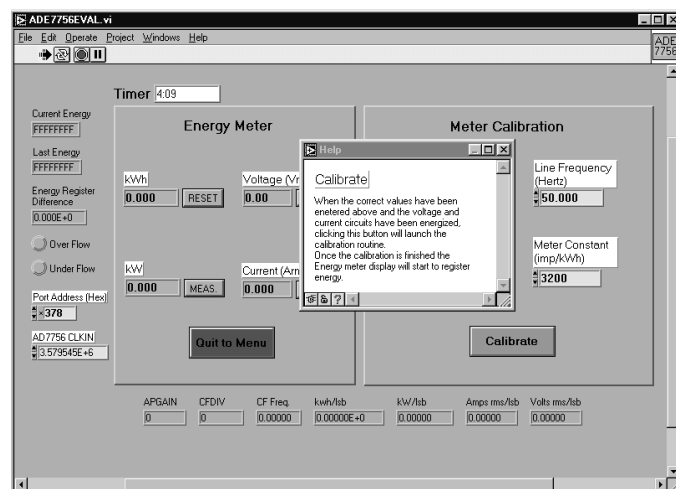


Figure 10—On-line Help Function.

EVAL-ADE7756EB

Measuring CT Phase Errors using the ADE7756

The ADE7756 itself can be used to measure a CT (and external components) phase error during calibration. The assumption is that the ADE7756 has no internal phase error (PHCAL = 00 hex) and the error due to external components is small (<0.5°). The procedure is based on a two point measurement, at PF=1 and PF = 0.5 (lag). The PF is set up using the test bench source and this source must be very accurate. The ADE7756 should be configured for energy measurement mode.

An energy measurement is first made with PF=1 (measurement A). A second energy measurement should be made at PF=0.5 (measurement B). The frequency output CF can be used for this measurement. Using the formula shown below the phase error is easily calculated:

$$\text{Phase Error (}^\circ\text{)} = \tan^{-1}\left(\frac{B - A/2}{A/2 \cdot \sqrt{3}}\right)$$

For example, using the frequency output CF to measure power, a frequency of 3.66621Hz is recorded for a PF=1. The PF is then set to 0.5 lag and a measurement of 1.83817Hz is obtained. Using the formula above the phase error on Channel 1 is calculated as:

$$\text{Phase Error (}^\circ\text{)} = \tan^{-1}\left(\frac{1.83817 - 3.66621/2}{3.66621/2 \cdot \sqrt{3}}\right) = +0.091^\circ$$

The formula will also give the correct sign for the phase error. In this example the phase error is calculated as +0.091° at the input to the Channel 1 of ADE7756. This means that the CT has introduced a phase lead of 0.091°. Therefore the phase difference at the input to Channel 1 is now 59.89° lag instead of 60° lag. Determining whether the error is a lead or lag can also be figured intuitively from the frequency output. Figure 11 shows how the output frequency varies with phase (cos{φ}). Since the output frequency B (1.83817Hz) at the PF=0.5 lag setting in the example is actually greater than A/2 (1.833105Hz), this means the phase error between Channel 1 and Channel 2 was actually less than 60°. This means there was additional lead in Channel 1 due to the CT.

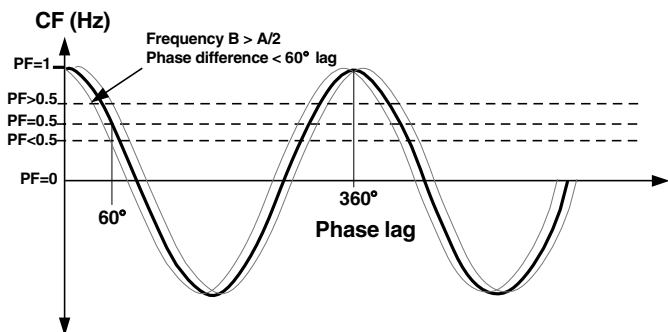


Figure 10—CF Frequency Vs Phase(PF)

Using the Phase Calibration to correct small (<0.5°) external phase errors

From the previous example it is seen that the CT introduced a phase lead in Channel 1 of 0.091°. Therefore instead of 60° phase difference between Channel 1 and Channel 2, it is actually 59.89°. In order to bring the phase difference back to 60°, the phase compensation circuit in Channel 2 is used to introduce an extra lead of 0.091°. This is achieved by reducing the amount of time delay in Channel 2.

The maximum time delay adjustment in Channel 2 is ±143µs with a CLKIN of 3.579545MHz. The PHCAL register is a signed 2's complement 6 bit register. Therefore each LSB is equivalent to 4.47µs. In this example the line frequency is 50Hz. This means each LSB is equivalent to (360° x 4.47µs x 50) = 0.08°. To introduce a lead of 0.091° the delay in Channel 2 must be reduced. This is achieved by writing -1 (FFh) or +0.08° to the PHCAL register.

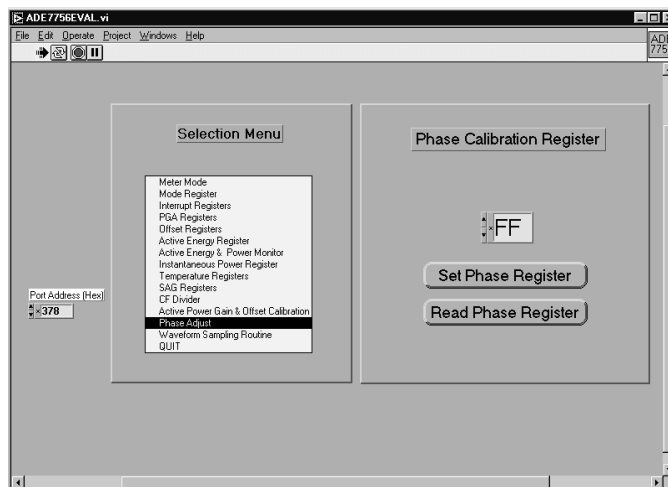


Figure 11—Writing to the PHCAL register to correct phase error

Correcting large external phase errors

In this example the phase correction range at 50Hz is only approximately ±2.5°. However it is best to only use the PHCAL register for small phase corrections, i.e., <0.5°. If larger corrections are required the larger part of the correction can be made using external passive component. For example the resistors in the anti-alias filter can be modified to shift the corner frequency of the filter so as to introduce more or less lag. The lag through the anti-alias filters with 1kΩ and 33nF is 0.56° at 50Hz. Fine adjust can be made with the PHCAL register. Note that typically CT phase shift will not vary significantly from part to part. If a CT phase shift is 1°, then the part to part variation should only be about ±0.1°. Therefore the bulk of the phase shift (1°) can be canceled with fixed component values at design. The remaining small adjustments can be made in production using the PHCAL register.

PRELIMINARY TECHNICAL DATA

EVAL-ADE7756EB

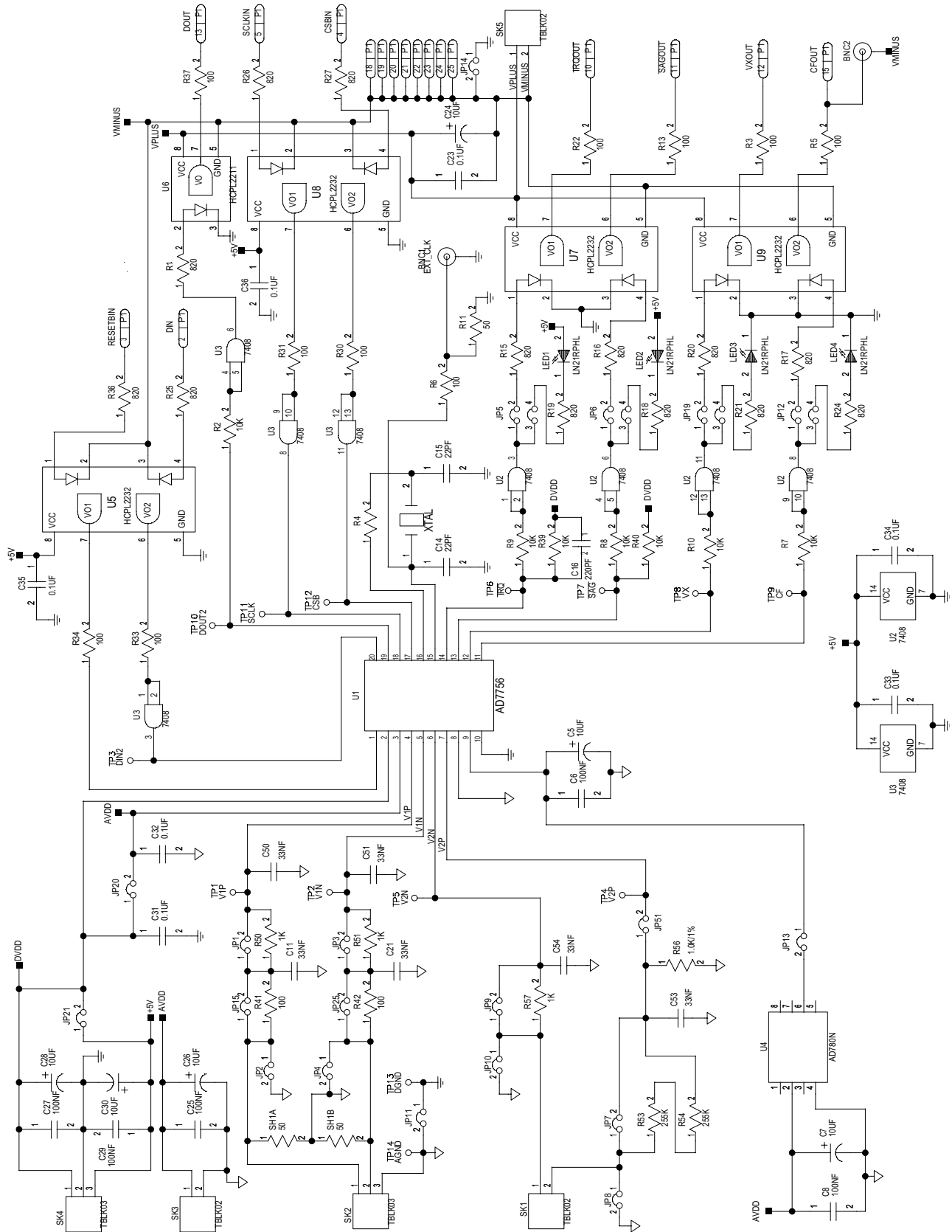
Evaluation board BOM

Designator	Value	Description
R3, R5, R6, R13, R22, R30, R31, R33, R34, R37 R2, R7, R8, R9, R10, R39, R40	100Ω, 5%, ¼W 10kΩ, 5%, ¼W	Resistor, no special requirements Resistor, no special requirements
R1, R14 - R27, R36 R50, R51, R52, R57	820Ω, 5%, ¼W 1kΩ, 0.1%, ¼W	Resistor, no special requirements ±15 ppm/°C Resistor, good tolerance, used as part of the analog filter network. These resistors are not soldered, but are plugged into PCB pin sockets for easy modification by the customer. Low drift WELWYN RC55 Series, FARNELL part no. 339-179
R53, R54	255kΩ, 0.1%, ¼W	Pin socketed, ±15 ppm/°C Low drift, WELWYN RC55 Series. Farnell part no. 338-484
R41, R42	100Ω, 0.1%, ¼W	±15 ppm/°C Resistor, good tolerance. Low drift FARNELL part no. 338-217
R11	51Ω, 1%, ¼W	Not populated, pin socket to be used with external 50Ω clock source.
R4	0Ω, 10%, ¼W	
C5, C7, C24, C28, C30	10μF, 10V d.c.	Power supply decoupling capacitors, 20%, AVX-KYOCERNA, FARNELL part no. 643-579
C14, C15	22pF, ceramic	Gate oscillator load capacitors, FARNELL part no. 108-927
C6, C8, C23, C25, C27 C29, C31-C36	100nF, 50V	Power supply decoupling capacitors, 10%, X7R type, AVX-KYOCERNA, FARNELL part no. 108-950
C16	220pF	AVX-KYOCERNA, FARNELL part no. 108-946
C11, C21, C50, C51, C53, C54	33nF, 10%, 50 volt	X7R Capacitor, part of the filter network. These resistors are not soldered, but are plugged into PCB mount sockets for easy modification by the customer. SR15 series AVX-KYOCERNA, FARNELL part no. 108-948
U1	AD7756AN	Supplied by Analog Devices Inc.
U2, U3	74HC08	Quad CMOS AND gates
U4	AD780	2.5V reference, Supplied by Analog Devices Inc.
U5, U7, U8, U9	HCPL2232	HP Optical Isolator, Newark part no. 06F5434
U6	HCPL2211	HP Optical Isolator, Newark part no. 06F5428
LED1- LED4	LED	Low current, Red, FARNELL part no. 637-087
XTAL	3.579545MHz	Quartz Crystal, HC-49(US), ECS no. ECS-35-17-4 Digi-Key no. X079-ND
SK1, SK3, SK5	screw terminal	15A, 2.5mm cable screw terminal sockets. FARNELL part no. 151-785 Length 10mm, Pitch 5mm, Pin diameter 1mm
SK2, SK4	screw terminal	15A, 2.5mm cable screw terminal sockets. FARNELL part no. 151-786 Length 15mm, Pitch 5mm, Pin diameter 1mm
BNC1, BNC2	BNC connector	Straight square, 1.3mm holes, 10.2mm x 10.2mm FARNELL part no. 149-453
P1	D-Sub 25 way male	AMP 747238-4 Right angle "D-Sub" 8mm PCB mount, DigiKey no. 747238-4

EVAL-ADE7756EB

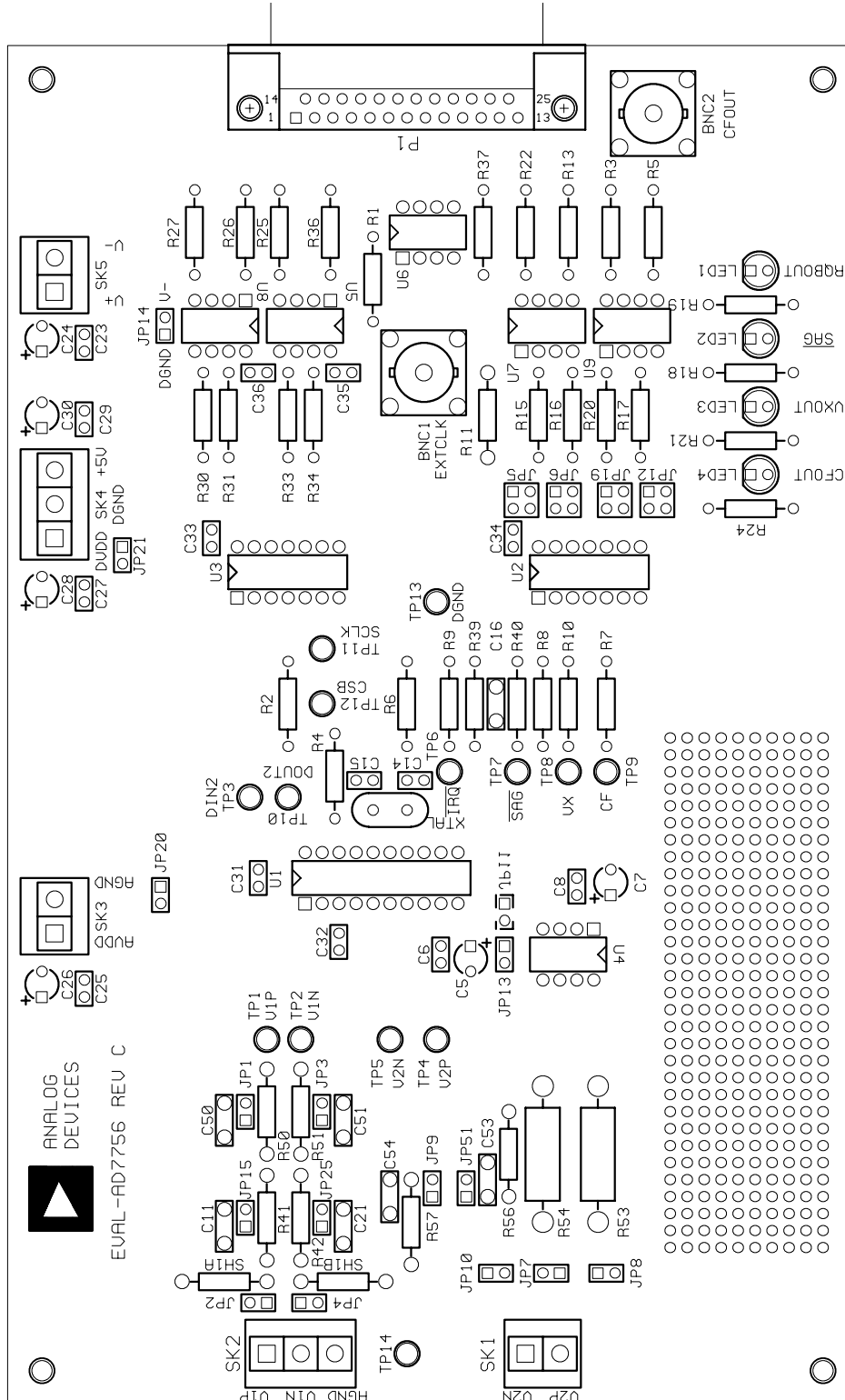
TP4 - TP14	Test Point Loop	Test point loop, Compnt Corp. TP-104-01-XX
JP1-4, JP7-11, JP13-JP15		
JP20, JP21, JP25, JP51	2 Pin header	2-Pin, 0.025 Sq., 0.01 Ctrs, Compnt Corp., CSS-02-02
JP5, JP6, JP12, JP19	2 Pin header x 2	2-Pin, 0.025 Sq., 0.01 Ctrs, Compnt Corp., CSS-02-02
Pin sockets	DIL	sockets for U1, U2, U3, U4, U5, U6, U7, U8, U9 0.022" to 0.025" pin diameter ADI stock 12-18-33. ADVANCE KSS100-85TG
Pin sockets	discrets	R11, R41, R42, R50, R51, R52, R53, R54, R57, C11, C21, C50, C51, C53, C54. ADI Stock 12-18-41

Evaluation board schematic (rev.C)

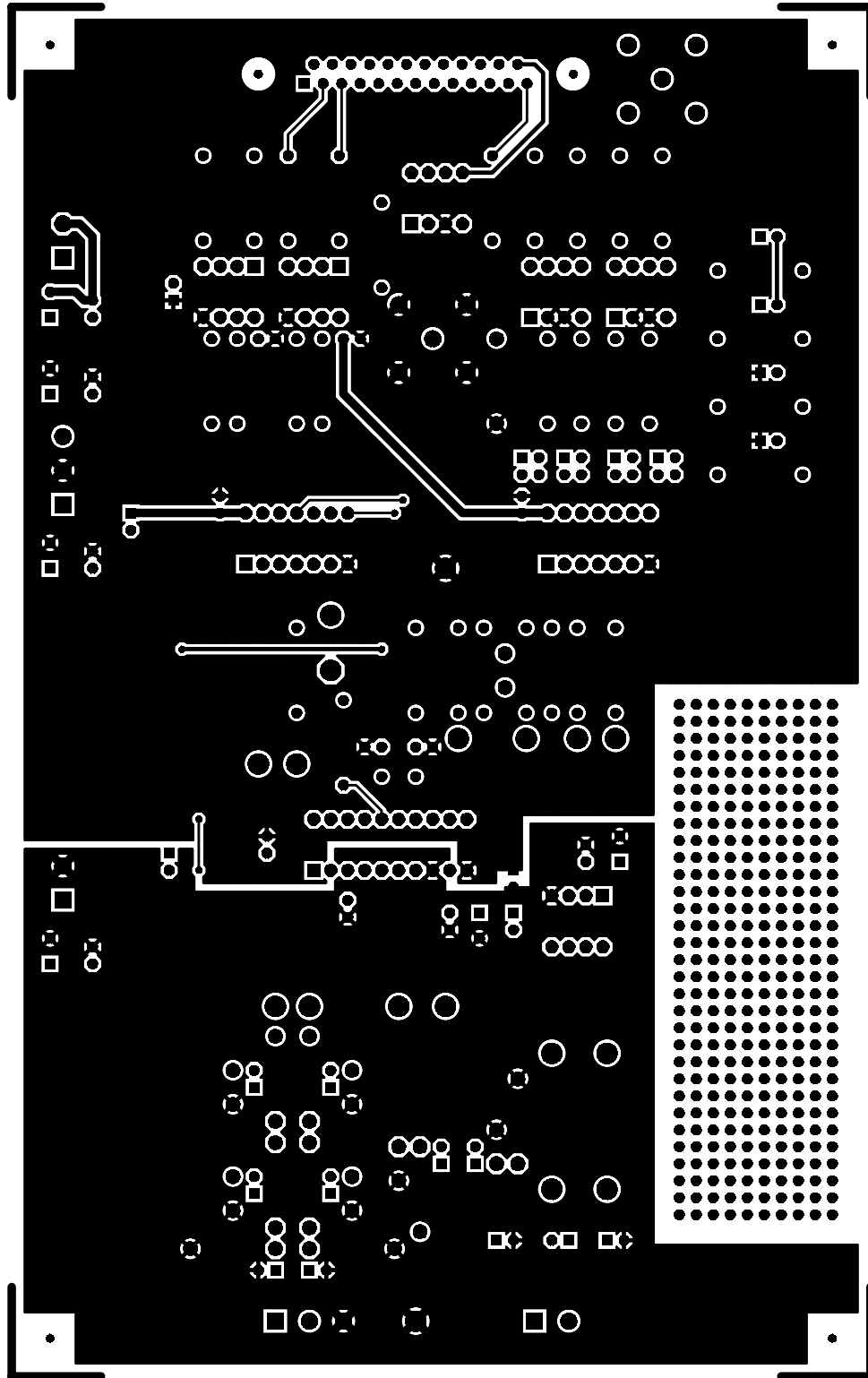


EVAL-ADE7756EB

PCB layout - Component Placement

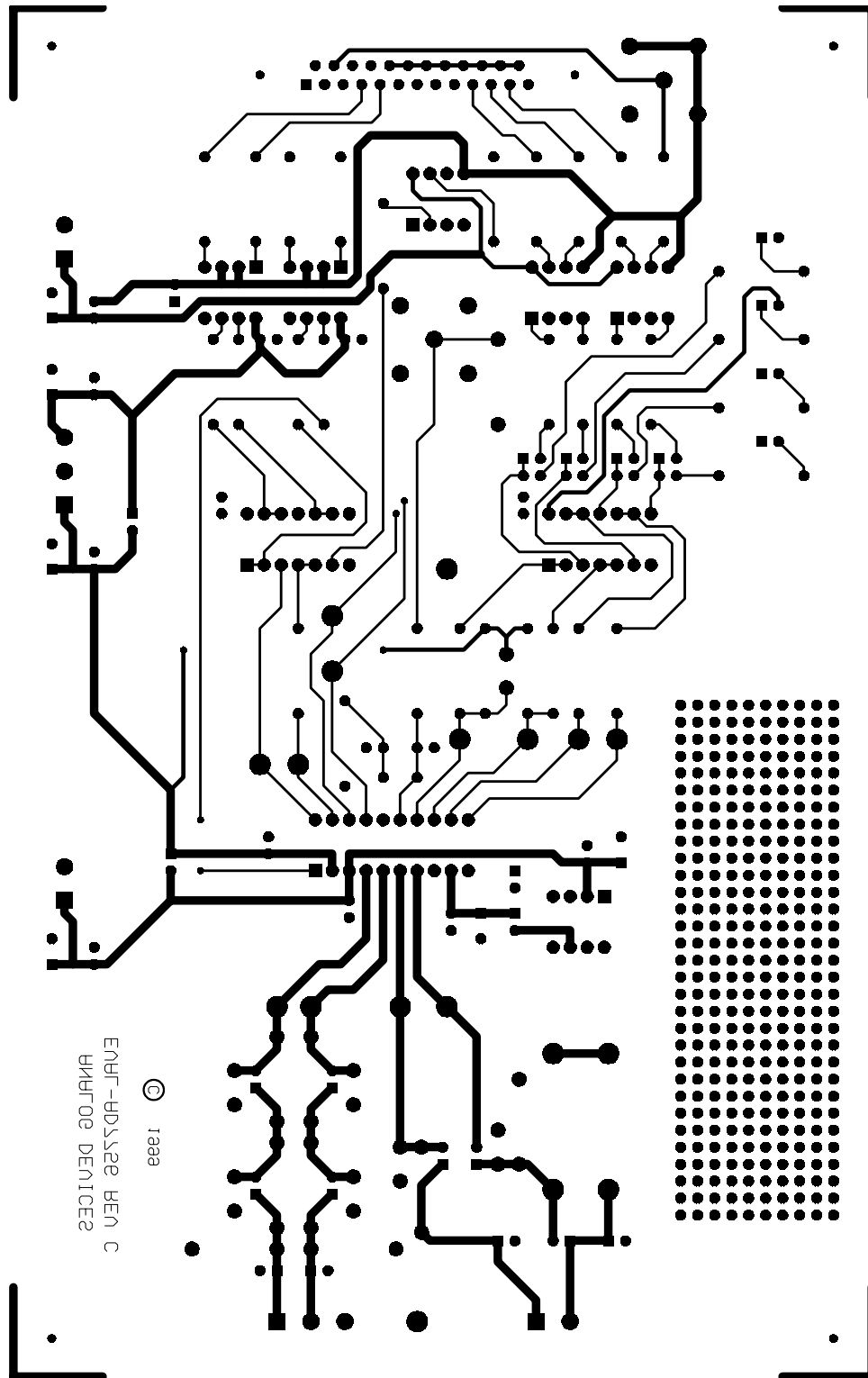


PCB layout - Component Side



EVAL-ADE7756EB

PCB layout - Solder Side



© 1998
ANALOG DEVICES
EVAL-AD5522 REV C

PRELIMINARY TECHNICAL DATA

EVAL-ADE7756EB

Recommendation

The sensitivity to ground noise of the analog section of the system leads to select with cautious the set up of the evaluation board.

To obtain the best performances from the evaluation board, when it is used in a real meter configuration (Voltage = 220V and current sensor connected), the configuration of Table1 should be applied.

This set up requires three 5volts Power supplies, an additional Ferrite Bead (Type Panasonic, EXCELSA391) and the disconnection of U2.

If the CF pin is used to measure the accuracy of the system, the connection between the ADE7756's CF pin and the input of the opto-isolator should be restored by connecting U2.8 and U2.9 - Figure 13. The trace between BNC2 connector and the SUB-D25 P1 connector should also been cut if this connector is used to connect a PC via the parallel cable - Figure 12.

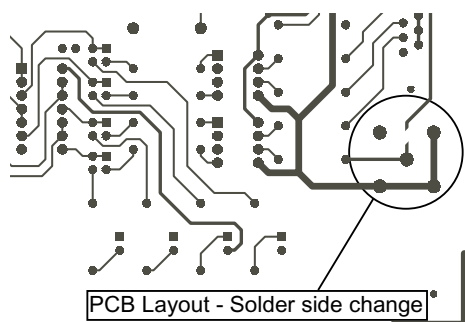


Figure 12 - Solder side change

JUMPER	OPTION	Comments
JP1	Open	If shunt used If CT used
JP2	Open	
JP3	Open	
JP4	Closed	
JP5 A	Open	
JP5 B	Open	
JP6 A	Open	
JP6 B	Open	
JP7	Open	
JP8	Open	
JP9	Open	Use Ferrite to close connection (type Panasonic EXCELSA391)
JP10	Closed	
JP11	Closed	
JP12 A	Closed	
JP12 B	Open	
JP13	Open	
JP14	Open	
JP15	Closed	
JP19 A	Closed	
JP19 B	Open	
JP20	Closed	
JP21	Open	
JP25	Closed	
JP51	Closed	

Table 1: Evaluation board configuration

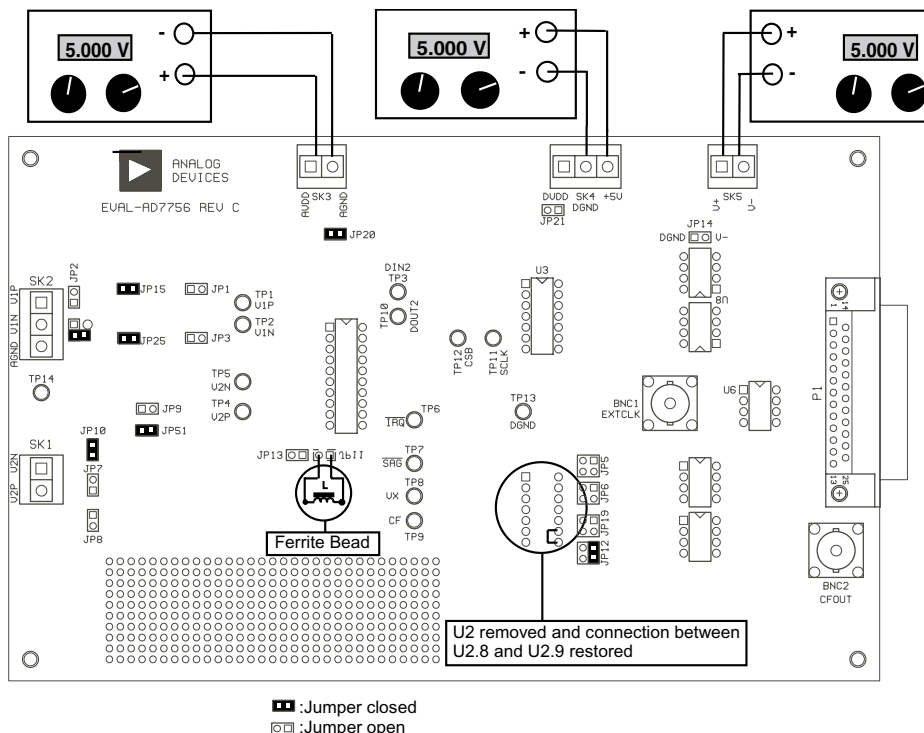


Figure13 - Evaluation board configuration