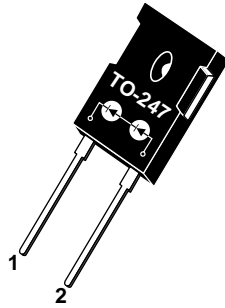


1 - Cathode 2  
2 - Anode 1



**ADVANCED  
POWER  
TECHNOLOGY®**  
**APT15DS60B 600V 15A**

## 2-300V HIGH FREQUENCY SOFT RECOVERY RECTIFIER DIODES IN SERIES

| PRODUCT APPLICATIONS   | PRODUCT FEATURES  | PRODUCT BENEFITS  |
|--|---|---|
| <ul style="list-style-type: none"> <li>• Anti-Parallel Diode               <ul style="list-style-type: none"> <li>-Switchmode Power Supply</li> <li>-Inverters</li> </ul> </li> <li>• Free Wheeling Diode               <ul style="list-style-type: none"> <li>-Motor Controllers</li> <li>-Converters</li> </ul> </li> <li>• Snubber Diode</li> <li>• Uninterruptible Power Supply (UPS)</li> <li>• Induction Heating</li> <li>• High Speed Rectifiers</li> </ul> | <ul style="list-style-type: none"> <li>• Ultrafast Recovery Times</li> <li>• Soft Recovery Characteristics</li> <li>• Popular TO-247 Package</li> <li>• <math>t_{rr} &lt; 15\text{ns}</math> @ 15 Amps</li> <li>• High Blocking Voltage</li> <li>• Low Leakage Current</li> </ul> | <ul style="list-style-type: none"> <li>• Low Losses</li> <li>• Low Noise Switching</li> <li>• Cooler Operation</li> <li>• Higher Reliability Systems</li> <li>• Increased System Power Density</li> </ul> |

### MAXIMUM RATINGS

All Ratings:  $T_C = 25^\circ\text{C}$  unless otherwise specified.

| Symbol         | Characteristic / Test Conditions   | APT15DS60B | UNIT             |
|----------------|--|------------|------------------|
| $V_R$          | Maximum D.C. Reverse Voltage   | 600        | Volts            |
| $V_{RRM}$      | Maximum Peak Repetitive Reverse Voltage  |            |                  |
| $V_{RWM}$      | Maximum Working Peak Reverse Voltage   |            |                  |
| $I_F(AV)$      | Maximum Average Forward Current ( $T_C = 90^\circ\text{C}$ , Duty Cycle = 0.5) | 15         | Amps             |
| $I_F(RMS)$     | RMS Forward Current  | 25         |                  |
| $I_{FSM}$      | Non-Repetitive Forward Surge Current ( $T_J = 45^\circ\text{C}$ , 8.3ms)       | 110        |                  |
| $T_J, T_{STG}$ | Operating and Storage Temperature Range  | -55 to 150 | $^\circ\text{C}$ |
| $T_L$          | Lead Temperature: 0.063" from Case for 10 Sec.                                 | 300        |                  |

### STATIC ELECTRICAL CHARACTERISTICS

| Symbol   | Characteristic / Test Conditions               | MIN  | TYP | MAX | UNIT          |
|----------|--|--|-----|-----|---------------|
| $V_F$    | Maximum Forward Voltage                        | $I_F = 15\text{A}$                           |     | 4.0 | Volts         |
|          |  | $I_F = 30\text{A}$                           |     | 4.5 |               |
|          |  | $I_F = 15\text{A}, T_J = 150^\circ\text{C}$  |     | 3.2 |               |
| $I_{RM}$ | Maximum Reverse Leakage Current                | $V_R = V_R$ Rated                            |     | 150 | $\mu\text{A}$ |
|          |  | $V_R = V_R$ Rated, $T_J = 125^\circ\text{C}$ |     | 500 |               |
| $C_T$    | Junction Capacitance, $V_R = 200\text{V}$      |  | 17  |     | pF            |
| $L_S$    | Series Inductance (Lead to Lead 5mm from Base) |  | 10  |     | nH            |

#### USA

405 S.W. Columbia Street

#### EUROPE

Avenue J.F. Kennedy Bât B4 Parc Cadéra Nord

APT Website - <http://www.advancedpower.com>

Bend, Oregon 97702-1035

Phone: (541) 382-8028

FAX: (541) 388-0364

F-33700 Merignac - France

Phone: (33) 5 57 92 15 15

FAX: (33) 5 56 47 97 61

### DYNAMIC CHARACTERISTICS

APT15DS60B

| Symbol     | Characteristic  | MIN | TYP  | MAX | UNIT       |
|------------|---|-----|------|-----|------------|
| $t_{rr1}$  | Reverse Recovery Time, $I_F = 1.0A$ , $di_F/dt = -15A/\mu s$ , $V_R = 30V$ , $T_J = 25^\circ C$ |     | 25   | 35  | ns         |
| $t_{rr2}$  | Reverse Recovery Time   |     | 12.5 |     |            |
| $t_{rr3}$  | $I_F = 15A$ , $di_F/dt = -500A/\mu s$ , $V_R = 350V$  |     | 25   |     |            |
| $t_{fr1}$  | Forward Recovery Time   |     | 70   |     |            |
| $t_{fr2}$  | $I_F = 15A$ , $di_F/dt = 500A/\mu s$ , $V_R = 350V$   |     | 70   |     |            |
| $I_{RRM1}$ | Reverse Recovery Current  |     | 4.3  | 9   | Amps       |
| $I_{RRM2}$ | $I_F = 15A$ , $di_F/dt = -500A/\mu s$ , $V_R = 350V$  |     | 8.5  | 16  |            |
| $Q_{rr1}$  | Recovery Charge   |     | 28   |     | nC         |
| $Q_{rr2}$  | $I_F = 15A$ , $di_F/dt = -500A/\mu s$ , $V_R = 350V$  |     | 105  |     |            |
| $V_{fr1}$  | Forward Recovery Voltage  |     | 25.5 |     | Volts      |
| $V_{fr2}$  | $I_F = 15A$ , $di_F/dt = 500A/\mu s$ , $V_R = 350V$   |     | 25.5 |     |            |
| $diM/dt$   | Rate of Fall of Recovery Current  |     | 900  |     | A/ $\mu s$ |
|            | $I_F = 15A$ , $di_F/dt = -500A/\mu s$ , $V_R = 350V$  |     | 3000 |     |            |

### THERMAL AND MECHANICAL CHARACTERISTICS

| Symbol          | Characteristic / Test Conditions                             | MIN | TYP  | MAX  | UNIT         |
|-----------------|--|-----|------|------|--------------|
| $R_{\theta JC}$ | Junction-to-Case Thermal Resistance                          |     |      | 1.05 | $^\circ C/W$ |
| $R_{\theta JA}$ | Junction-to-Ambient Thermal Resistance                       |     |      | 40   |              |
| $W_T$           | Package Weight   |     | 0.22 |      | oz           |
|                 |  |     | 6.1  |      | gm           |
| Torque          | Maximum Mounting Torque (Screw Type = 6-32 or 3.5mm Machine) |     |      | 10   | lb•in        |
|                 |  |     |      | 1.1  | N•m          |

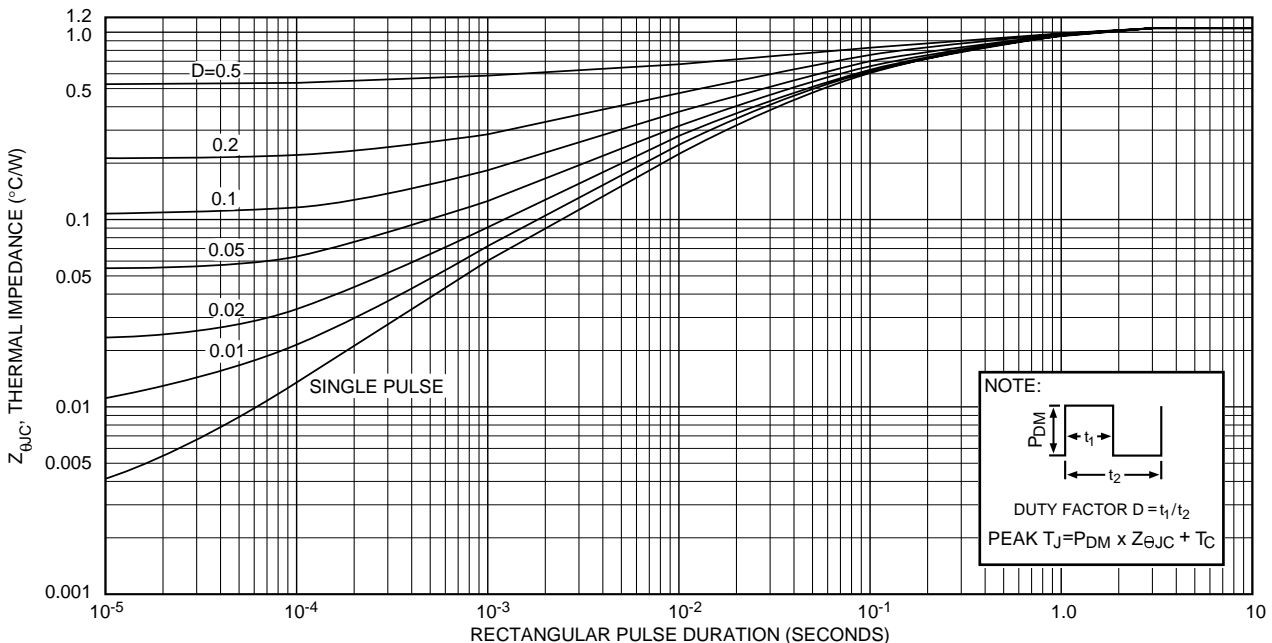
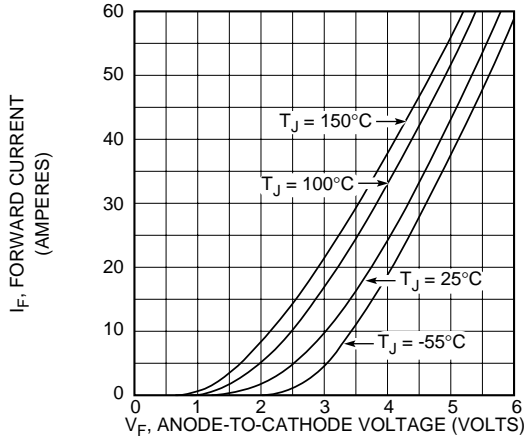
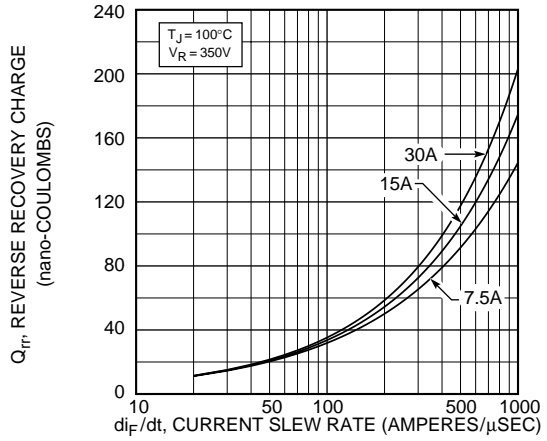


Figure 1, Maximum Effective Transient Thermal Impedance, Junction-To-Case vs Pulse Duration

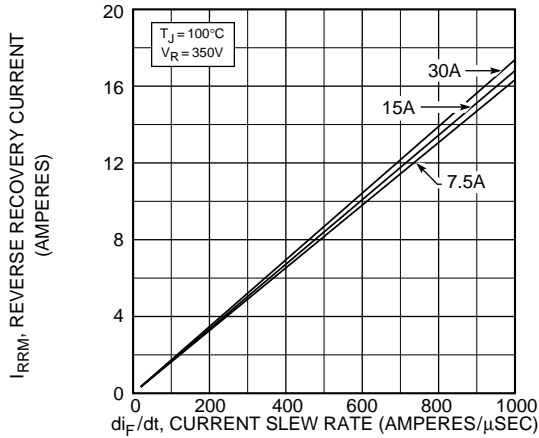
**APT15DS60B**



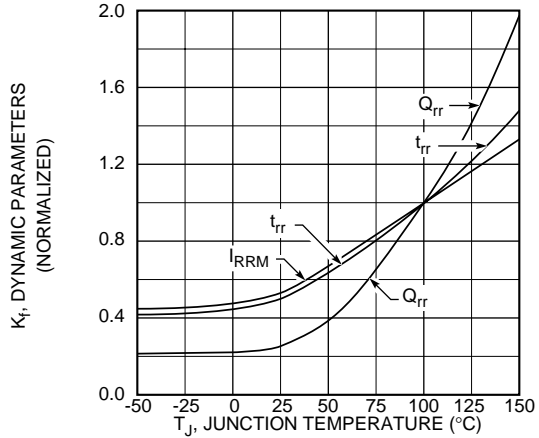
**Figure 2, Forward Voltage Drop vs Forward Current**



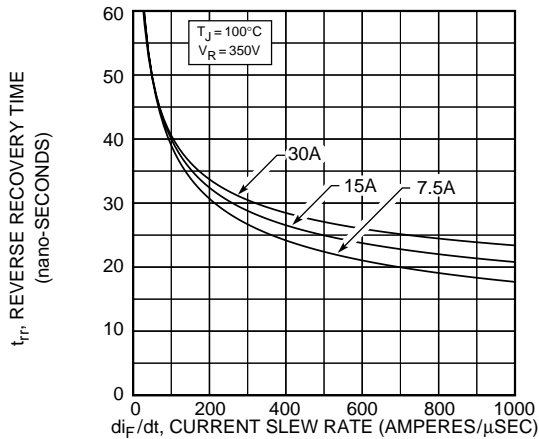
**Figure 3, Reverse Recovery Charge vs Current Slew Rate**



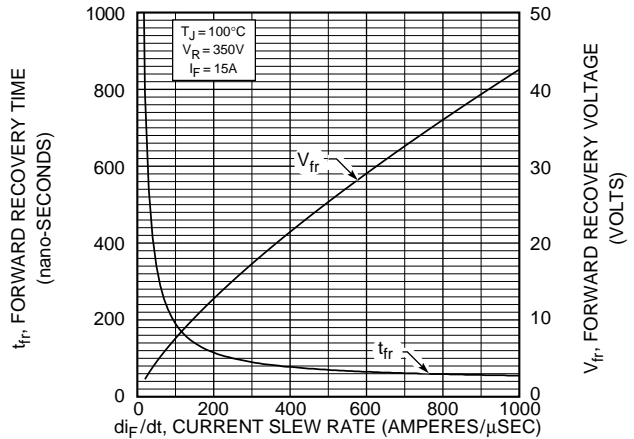
**Figure 4, Reverse Recovery Current vs Current Slew Rate**



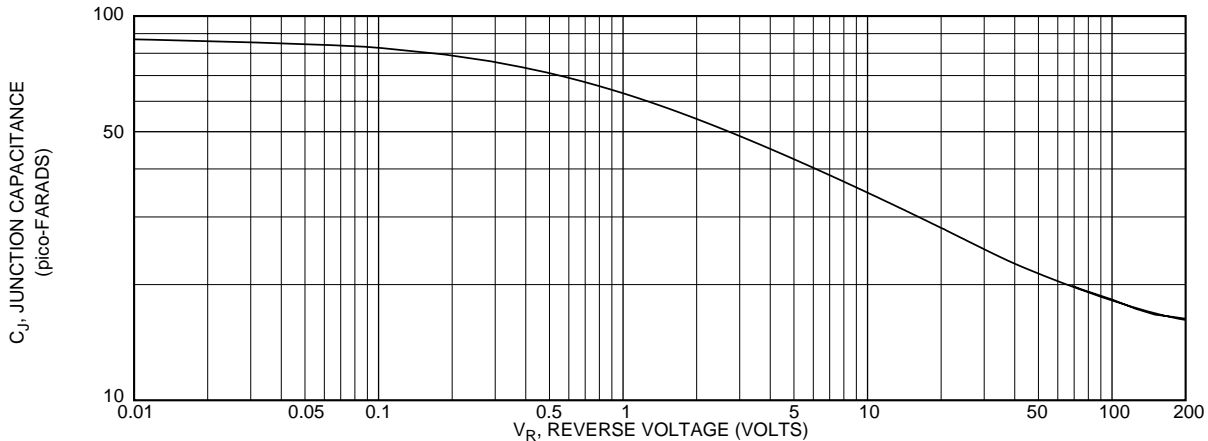
**Figure 5, Dynamic Parameters vs Junction Temperature**



**Figure 6, Reverse Recovery Time vs Current Slew Rate**



**Figure 7, Forward Recovery Voltage/Time vs Current Slew Rate**



**Figure 8, Junction Capacitance vs Reverse Voltage**

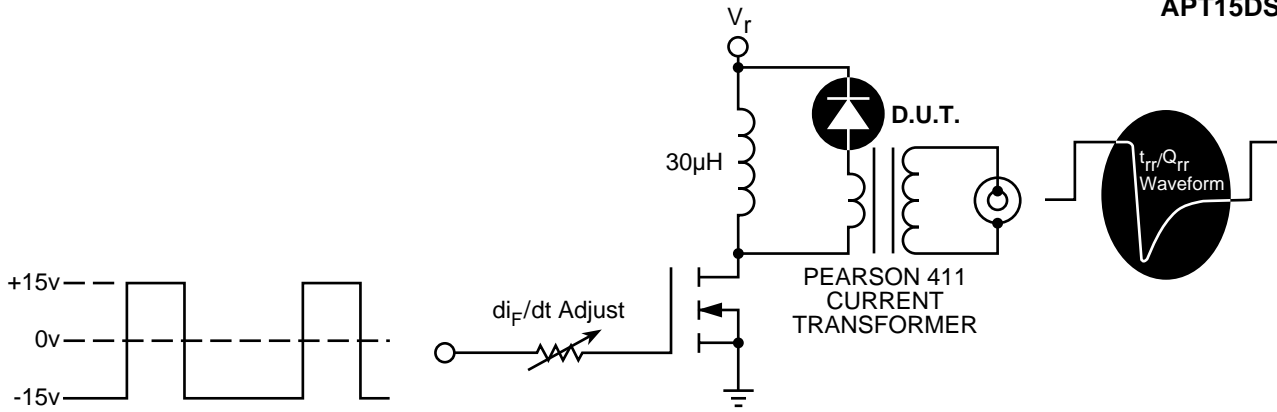


Figure 9, Diode Reverse Recovery Test Circuit and Waveforms

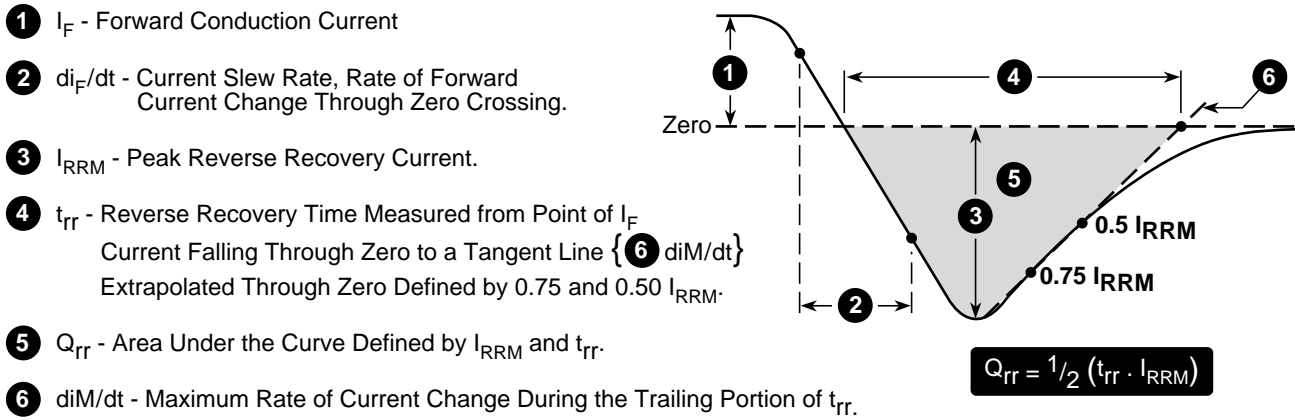
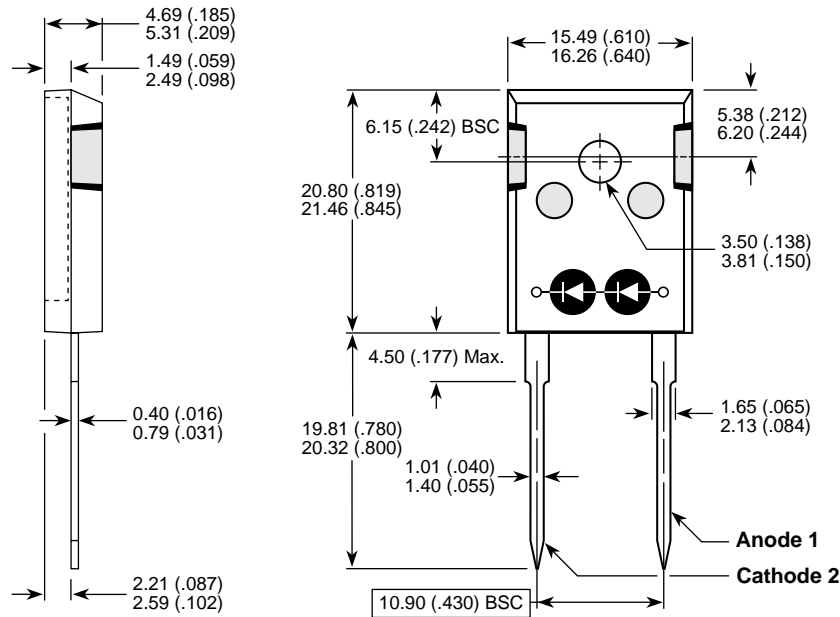


Figure 10, Diode Reverse Recovery Waveform and Definitions

TO-247 Package Outline



Dimensions in Millimeters and (Inches)