



■ General Description

The AME8806/8809 family of positive, linear regulators feature low quiescent current (30 μ A typ.) with low dropout voltage, making them ideal for battery applications. The space-saving SO-8 package is attractive for "Pocket" and "Hand Held" applications.

These rugged devices have both Thermal Shutdown, and Current Fold-back to prevent device failure under the "Worst" of operating conditions.

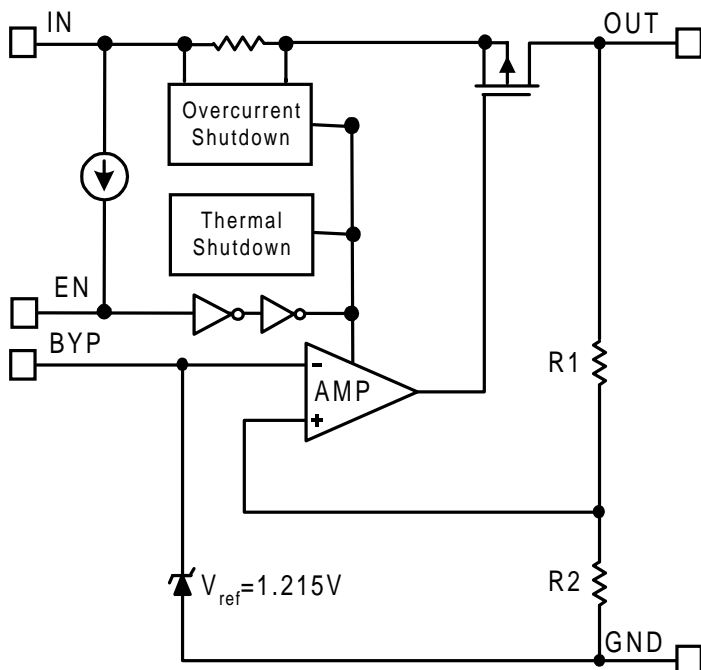
In applications requiring a low noise, regulated supply, place a 1000 pF capacitor between Bypass and ground.

The AME8806/8809 is stable with an output capacitance of 2.2 μ F or greater.

■ Features

- Very Low Dropout Voltage
- Guaranteed 600mA Output
- Accurate to within 1.5%
- 30 μ A Quiescent Current
- Over-Temperature Shutdown
- Current Limiting
- Short Circuit Current Fold-back
- Noise Reduction Bypass Capacitor
- Power-Saving Shutdown Mode
- Space-Saving SO-8 Package
- Factory Pre-set Output Voltages
- Low Temperature Coefficient

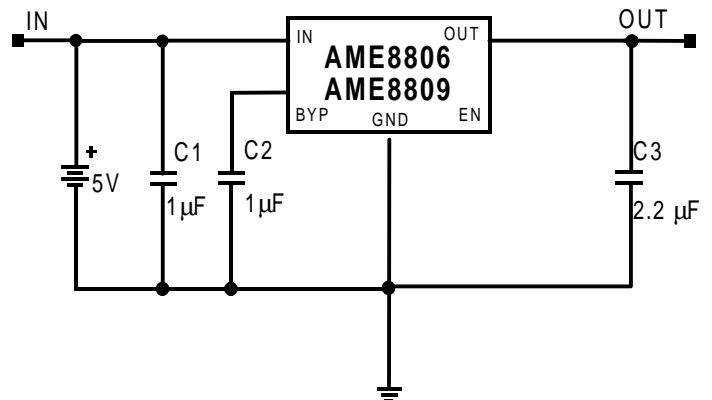
■ Functional Block Diagram



■ Applications

- Instrumentation
- Portable Electronics
- Wireless Devices
- Cordless Phones
- PC Peripherals
- Battery Powered Widgets
- Electronic Scales

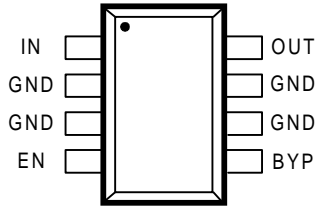
■ Typical Application





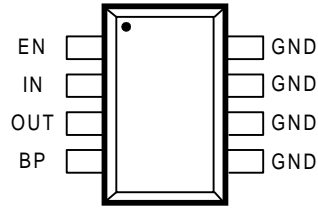
■ Pin Configuration

SO-8 Top View

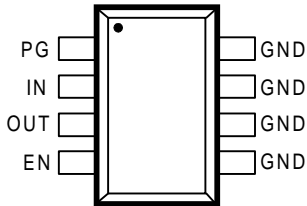


AME8806

SO-8 Top View



AME8809



AME8842



■ Ordering Information

Part Number	Marking	Output	Package	Operating Temp.
AME8806AEHA	8806 AEHA yyww	3.3V	SO-8	-40°C to +85°C
AME8806BEHA	8806 BEHA yyww	3.0V	SO-8	-40°C to +85°C
AME8806CEHA	8806 CEHA yyww	2.8V	SO-8	-40°C to +85°C
AME8806DEHA	8806 DEHA yyww	2.5V	SO-8	-40°C to +85°C
AME8806EEHA	8806 EEHA yyww	3.8V	SO-8	-40°C to +85°C
AME8806FEHA	8806 FEHA yyww	3.6V	SO-8	-40°C to +85°C
AME8806GEHA	8806 GEHA yyww	3.5V	SO-8	-40°C to +85°C
AME8806HEHA	8806 HEHA yyww	2.7V	SO-8	-40°C to +85°C
AME8806IEHA	8806 IEHA yyww	3.4V	SO-8	-40°C to +85°C
AME8806JEHA	8806 JEHA yyww	2.85V	SO-8	-40°C to +85°C
AME8806KEHA	8806 KEHA yyww	3.7V	SO-8	-40°C to +85°C
AME8806LEHA	8806 LEHA yyww	1.5V	SO-8	-40°C to +85°C
AME8806MEHA	8806 MEHA yyww	1.8V	SO-8	-40°C to +85°C
AME8806NEHA	8806 NEHA yyww	2.9V	SO-8	-40°C to +85°C
AME8806OEHA	8806 OEHA yyww	3.1V	SO-8	-40°C to +85°C



Ordering Information

Part Number	Marking	Output	Package	Operating Temp.
AME8809AEHA	8809 AEHA yyww	3.3V	SO-8	-40°C to +85°C
AME8809BEHA	8809 BEHA yyww	3.0V	SO-8	-40°C to +85°C
AME8809CEHA	8809 CEHA yyww	2.8V	SO-8	-40°C to +85°C
AME8809DEHA	8809 DEHA yyww	2.5V	SO-8	-40°C to +85°C
AME8809EEHA	8809 EEHA yyww	3.8V	SO-8	-40°C to +85°C
AME8809FEHA	8809 FEHA yyww	3.6V	SO-8	-40°C to +85°C
AME8809GEHA	8809 GEHA yyww	3.5V	SO-8	-40°C to +85°C
AME8809HEHA	8809 HEHA yyww	2.7V	SO-8	-40°C to +85°C
AME8809IEHA	8809 IEHA yyww	3.4V	SO-8	-40°C to +85°C
AME8809JEHA	8809 JEHA yyww	2.85V	SO-8	-40°C to +85°C
AME8809KEHA	8809 KEHA yyww	3.7V	SO-8	-40°C to +85°C
AME8809LEHA	8809 LEHA yyww	1.5V	SO-8	-40°C to +85°C
AME8809MEHA	8809 MEHA yyww	1.8V	SO-8	-40°C to +85°C
AME8809NEHA	8809 NEHA yyww	2.9V	SO-8	-40°C to +85°C
AME8809OEHA	8809 OEHA yyww	3.1V	SO-8	-40°C to +85°C

Please consult AME sales office or authorized Rep./Distributor for other output voltage and package type availability.



■ Ordering Information

Part Number	Marking	Output	Package	Operating Temp.
AME8842AEHA	8842 AEHA yyww	3.3V	SO-8	-40°C to +85°C
AME8842BEHA	8842 BEHA yyww	3.0V	SO-8	-40°C to +85°C
AME8842CEHA	8842 CEHA yyww	2.8V	SO-8	-40°C to +85°C
AME8842DEHA	8842 DEHA yyww	2.5V	SO-8	-40°C to +85°C
AME8842EEHA	8842 EEHA yyww	3.8V	SO-8	-40°C to +85°C
AME8842FEHA	8842 FEHA yyww	3.6V	SO-8	-40°C to +85°C
AME8842GEHA	8842 GEHA yyww	3.5V	SO-8	-40°C to +85°C
AME8842HEHA	8842 HEHA yyww	2.7V	SO-8	-40°C to +85°C
AME8842IEHA	8842 IEHA yyww	3.4V	SO-8	-40°C to +85°C
AME8842JEHA	8842 JEHA yyww	2.85V	SO-8	-40°C to +85°C
AME8842KEHA	8842 KEHA yyww	3.7V	SO-8	-40°C to +85°C
AME8842LEHA	8842 LEHA yyww	1.5V	SO-8	-40°C to +85°C
AME8842MEHA	8842 MEHA yyww	1.8V	SO-8	-40°C to +85°C
AME8842NEHA	8842 NEHA yyww	2.9V	SO-8	-40°C to +85°C
AME8842OEHA	8842 OEHA yyww	3.1V	SO-8	-40°C to +85°C

Please consult AME sales office or authorized Rep./Distributor for other output voltage and package type availability.



■ Absolute Maximum Ratings

Parameter	Maximum	Unit
Input Voltage	8	V
Output Current	$P_D / (V_{IN} - V_O)$	A
Input, Output Voltage	GND - 0.3 to $V_{IN} + 0.3$	V
ESD Classification	B	

■ Recommended Operating Conditions

Parameter	Rating	Unit
Ambient Temperature Range	-40 to +85	°C
Junction Temperature	-40 to +125	°C

■ Thermal Information

Parameter	Maximum	Unit
Thermal Resistance (θ_{ja})	123.7	°C / W
Internal Power Dissipation (P_D) ($\Delta T = 100^\circ\text{C}$)	810	mW
Maximum Junction Temperature	150	°C
Maximum Lead Temperature (10 Sec)	300	°C

Caution: Stress above the listed absolute rating may cause permanent damage to the device



■ Electrical Specifications

TA = 25°C unless otherwise noted

Parameter	Symbol	Test Condition	Min	Typ	Max	Units
Input Voltage	V _{IN}		Note 1		8	V
Output Voltage Accuracy	V _O	I _O =1mA	-1.5		1.5	%
Dropout Voltage	V _{DROPOUT}	I _O =600mA V _O =V _{ONOM} -2.0%	1.5V<V _{O(NOM)} <=2.0V	See chart	1400	mV
			2.0V<V _{O(NOM)} <=2.8V		800	
			2.8V<V _{O(NOM)} <3.8V		600	
Output Current	I _O	V _O >1.2V	600			mA
Current Limit	I _{LIM}	V _O >1.2V	600	800		mA
Short Circuit Current	I _{SC}	V _O <0.8V		300	600	mA
Quiescent Current	I _Q	I _O =0mA		30	50	μA
Ground Pin Current	I _{GND}	I _O =1mA to 600mA		30	50	μA
Line Regulation	REG _{LINE}	I _O =5mA V _{IN} =V _O +1 to V _O +2	V _O < 2.0V		0.15	%
			V _O >= 2.0V	0.02	0.1	%
Load Regulation	REG _{LOAD}	I _O =1mA to 600mA		0.2	1	%
Over Temperature Shutdown	OTS			150		°C
Over Temperature Hysteresis	OTH			30		°C
V _O Temperature Coefficient	TC			30		ppm/°C
Power Supply Rejection	PSRR	I _O =100mA C _O =2.2μF ceramic C _{BYP} =0.01μF	f=1kHz		75	dB
			f=10kHz		55	
			f=100kHz		30	
Output Voltage Noise	e _N	f=10Hz to 100kHz I _O =10mA, C _{BYP} =0.01μF	C _O =2.2μF		30	μV _{rms}
			C _O =100μF		20	
EN Input Threshold	V _{EH}	V _{IN} =2.7V to 8V	2.0		V _{in}	V
	V _{EL}	V _{IN} =2.7V to 8V	0		0.4	V
EN Input Bias Current	I _{EH}	V _{EN} =V _{IN} , V _{IN} =2.7V to 8V			0.1	μA
	I _{EL}	V _{EN} =0V, V _{IN} =2.7V to 8V			0.5	μA
Shutdown Supply Current	I _{SD}	V _{IN} =5V, V _O =0V, V _{EN} <V _{EL}		0.5	1	μA

Note1: V_{IN(min)}=V_{OUT}+V_{DROPOUT}



■ Detailed Description

The AME8806/8809 family of CMOS regulators contain a PMOS pass transistor, voltage reference, error amplifier, over-current protection, and thermal shutdown.

The P-channel pass transistor receives data from the error amplifier, over-current shutdown, and thermal protection circuits. During normal operation, the error amplifier compares the output voltage to a precision reference. Over-current and Thermal shutdown circuits become active when the junction temperature exceeds 150°C, or the current exceeds 600mA. During thermal shutdown, the output voltage remains low. Normal operation is restored when the junction temperature drops below 120°C.

The AME8806/8809 switches from voltage mode to current mode when the load exceeds the rated output current. This prevents over-stress. The AME8806/8809 also incorporates current foldback to reduce power dissipation when the output is short circuited. This feature becomes active when the output drops below 0.8 volts, and reduces the current flow by 65%. Full current is restored when the voltage exceeds 0.8 volts.

■ External Capacitors

The AME8806/8809 is stable with an output capacitor to ground of 2.2 μ F or greater. Ceramic capacitors have the lowest ESR, and will offer the best AC performance. Conversely, Aluminum Electrolytic capacitors exhibit the highest ESR, resulting in the poorest AC response. Unfortunately, large value ceramic capacitors are comparatively expensive. One option is to parallel a 0.1 μ F ceramic capacitor with a 10 μ F Aluminum Electrolytic. The benefit is low ESR, high capacitance, and low overall cost.

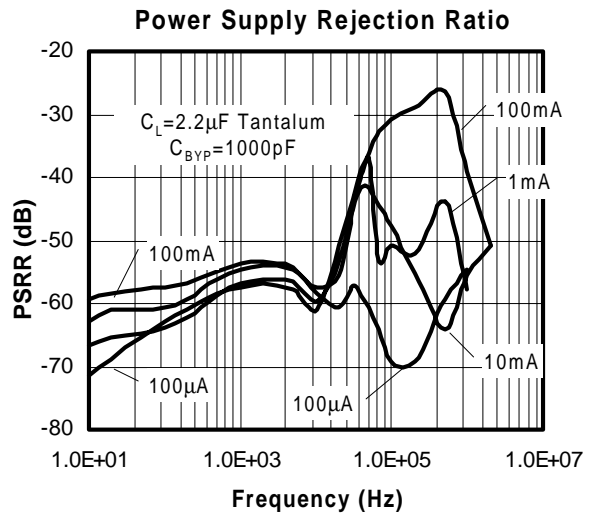
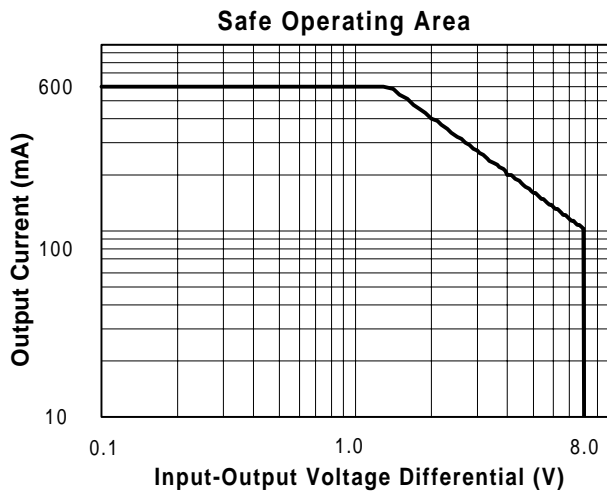
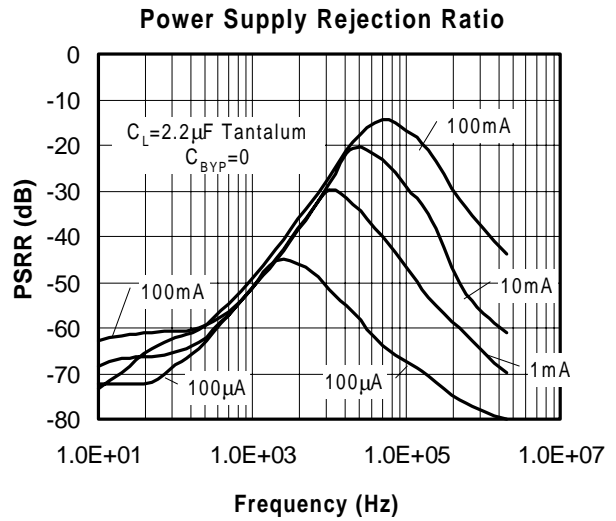
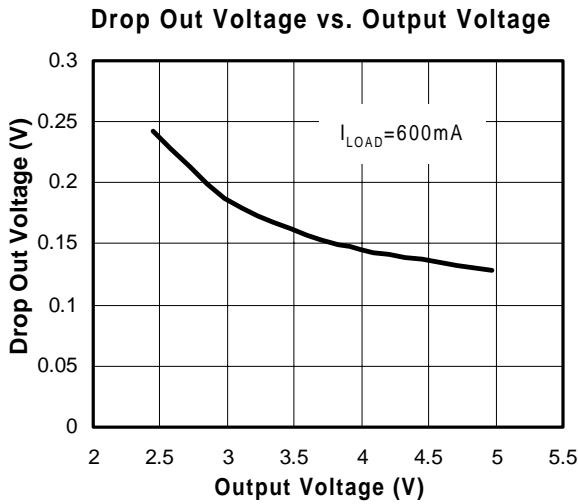
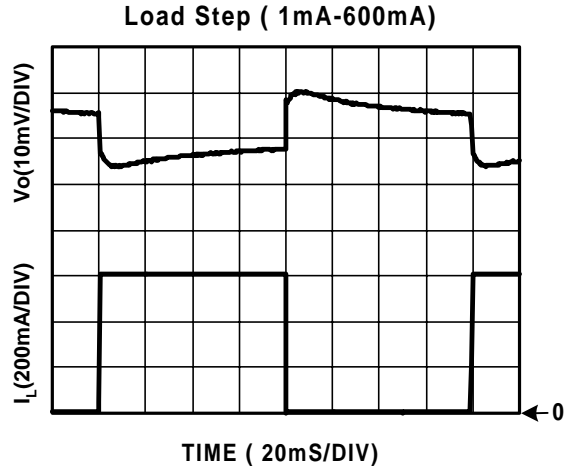
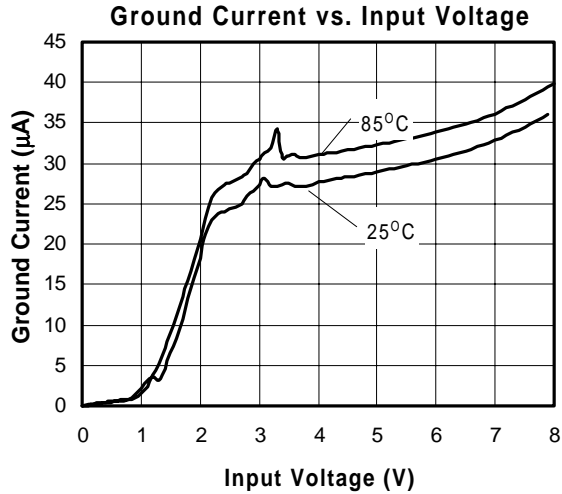
A second capacitor is recommended between the input and ground to stabilize V_{in} . The input capacitor should be at least 0.1 μ F to have a beneficial effect.

A third capacitor can be connected between the BY-PASS pin and GND. This capacitor can be a low cost Polyester Film variety between the value of 0.001 ~ 0.01 μ F. A larger capacitor improves the AC ripple rejection, but also makes the output come up slowly. This "Soft" turn-on is desirable in some applications to limit turn-on surges.

All capacitors should be placed in close proximity to the pins. A "Quiet" ground termination is desirable. This can be achieved with a "Star" connection.

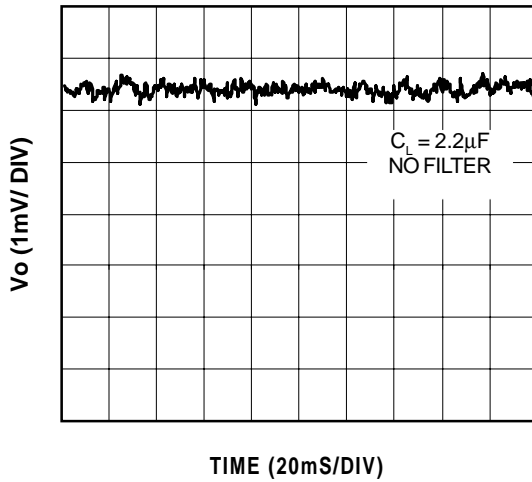
■ Enable

The Enable pin normally floats high. When actively, pulled low, the PMOS pass transistor shuts off, and all internal circuits are powered down. In this state, the quiescent current is less than 1 μ A. This pin behaves much like an electronic switch.

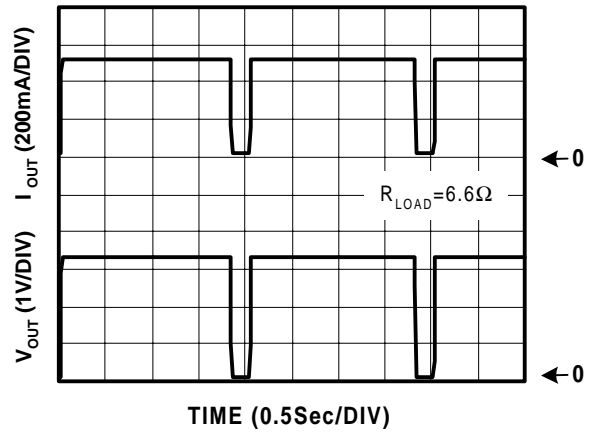




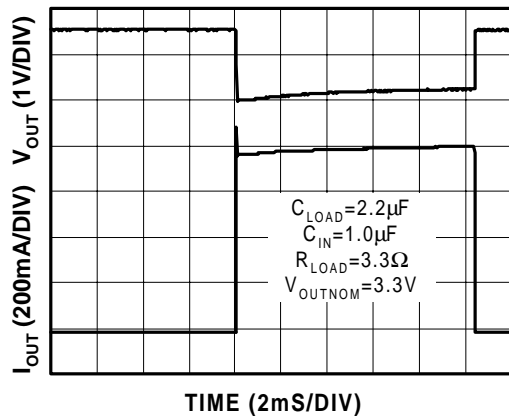
Noise Measurement



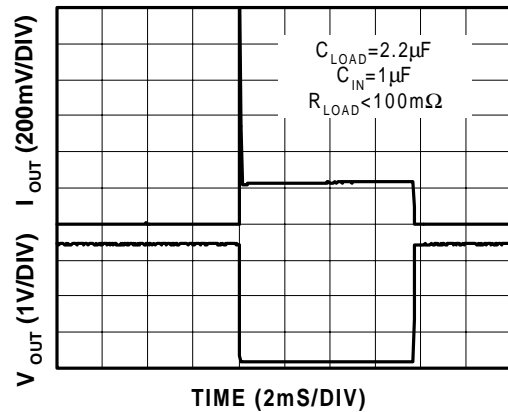
Overtemperature Shutdown



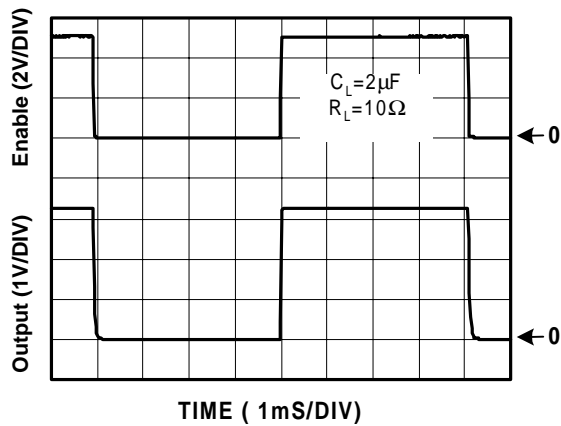
Current Limit Response



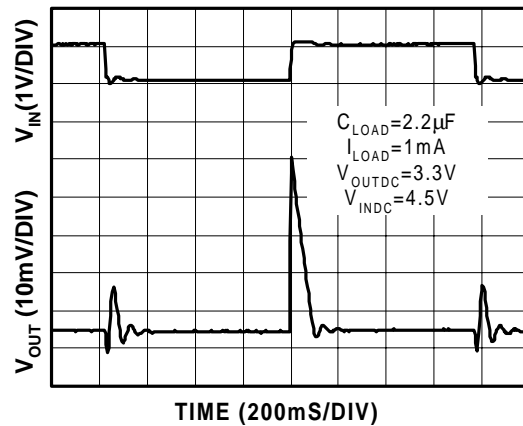
Short Circuit Response



Chip Enable Transient Response



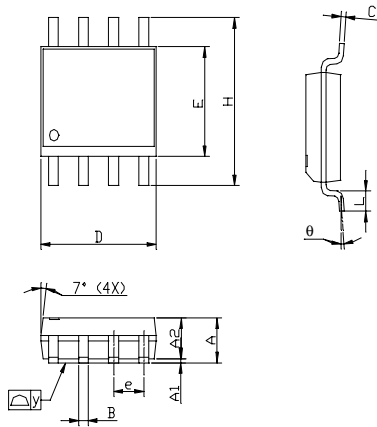
Line Transient Response





■ Package Dimension

SO-8



SYMBOLS	MILLIMETERS		INCHES	
	MIN	MAX	MIN	MAX
A	1.35	1.75	0.053	0.069
A ₁	0.10	0.25	0.004	0.010
A ₂	—	—	—	—
B	0.33	0.51	0.013	0.020
C	0.19	0.25	0.007	0.010
D	4.80	5.00	0.189	0.1970
E	3.80	4.00	0.150	0.157
e	—	—	—	—
H	5.80	6.20	0.228	0.244
L	0.40	1.27	0.016	0.050
y	—	0.10	—	0.004
θ	0°	8°	0°	8°



www.analogmicro.com
E-Mail: info@analogmicro.com

Life Support Policy:

These products of Analog Microelectronics, Inc. are not authorized for use as critical components in life-support devices or systems, without the express written approval of the president of Analog Microelectronics, Inc.

Analog Microelectronics, Inc. reserves the right to make changes in the circuitry and specifications of its devices and advises its customers to obtain the latest version of relevant information.

© Analog Microelectronics, Inc., August 2001

Document: 2006-DS8806/8809-D

Corporate Headquarters
Analog Microelectronics, Inc.

3100 De La Cruz Blvd. Suite 201
Santa Clara, CA. 95054-2046
Tel : (408) 988-2388
Fax: (408) 988-2489

Asia Pacific Headquarters
AME, Inc.

2F, 187 Kang-Chien Road, Nei-Hu District
Taipei 114, Taiwan, R.O.C.
Tel : 886 2 2627-8687
Fax: 886 2 2659-2989