



■ General Description

The AME8817 family of positive, linear regulators feature low quiescent current (35µA typ.) with low dropout voltage, making them ideal for battery applications.

Output voltages are set at the factory and trimmed to 1.5% accuracy.

These rugged devices have both thermal shutdown, and current fold-back to prevent device failure under the "worst" of operating conditions.

In applications requiring a low noise, regulated supply, place a 1000pF capacitor between Bypass and Ground.

An additional feature is a "Power Good" detector, which pulls low when the output is out of regulation.

The AME8817 is stable with an output capacitance of 4.7µF or greater.

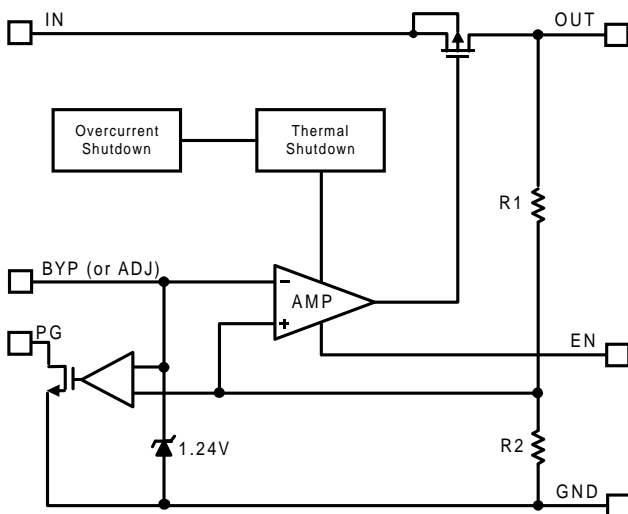
■ Features

- Very Low Dropout Voltage
- Guaranteed 1.5A Output
- Accurate to within 1.5%
- 35µA Quiescent Current Typically
- Over-Temperature Shutdown
- Current Limiting
- Short Circuit Current Fold-back
- Noise Reduction Bypass Capacitor
- Power Good Output
- Power-Saving Shutdown Mode
- Space-Saving DDPAK-7 Package
- Low Temperature Coefficient

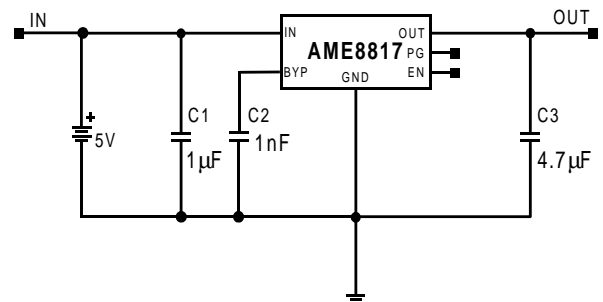
■ Applications

- Instrumentation
- Portable Electronics
- Wireless Devices
- PC Peripherals
- Battery Powered Widgets

■ Functional Block Diagram



■ Typical Application

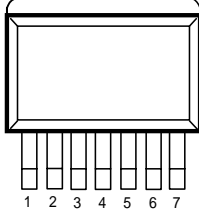




Pin Configuration

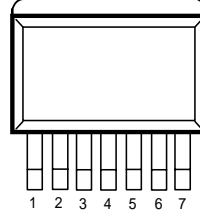
DDPAK-7 (TO-263) Top View

AME8817AEDZXXX



- 1. EN
- 2. PG
- 3. V_{IN}
- 4. GND
- 5. V_{OUT}
- 6. V_{OUT}
- 7. BYP

AME8817BEDZXXX



- 1. EN
- 2. PG
- 3. V_{IN}
- 4. GND
- 5. V_{OUT}
- 6. V_{OUT}
- 7. ADJ

Ordering Information

Output Voltage	Package Type	MARKING
	DDPAK-7	
1.50	AME8817AEDZ150	AME8817 AEDZ150 yyww
1.80	AME8817AEDZ180	AME8817 AEDZ180 yyww
2.50	AME8817AEDZ250	AME8817 AEDZ250 yyww
3.30	AME8817AEDZ330	AME8817 AEDZ330 yyww
4.75	AME8817AEDZ475	AME8817 AEDZ475 yyww
5.00	AME8817AEDZ500	AME8817 AEDZ500 yyww
ADJ	AME8817BEDZADJ	AME8817 BEDZADJ yyww

Please consult AME sales office or authorized Rep./Distributor for other output voltages, package types or pin configurations.



■ Absolute Maximum Ratings:

Parameter	Maximum	Unit
Input Voltage	8	V
Output Current	$P_D / (V_{IN} - V_O)$	mA
Output Voltage	GND - 0.3 to $V_{IN} + 0.3$	V
ESD Classification	B	

■ Recommended operating Conditions:

Parameter	Rating	Unit
Ambient Temperature Range	-40 to +85	°C
Junction Temperature	-40 to +125	°C

■ Thermal Information

Parameter	Maximum	Unit
Thermal Resistance (θ_{jc})	60	°C / W
Internal Power Dissipation (P_D) ($\Delta T = 100^\circ\text{C}$)	2.7	W
Maximum Junction Temperature	150	°C
Maximum Lead Temperature (10 Sec)	300	°C

Caution: Stress above the listed absolute rating may cause permanent damage to the device



Electrical Specifications

TA = 25°C unless otherwise noted

Parameter	Symbol	Test Condition	Min	Typ	Max	Units	
Input Voltage	V _{IN}		Note 1		7	V	
Output Voltage Accuracy	V _O	I _O =1mA to 1.5A	-1.5		1.5	%	
Dropout Voltage	V _{DROPOUT}	I _O =1500mA V _O =V _{ONOM} -2.0%	1.5V <= V _{ONOM} <= 2.0V	See chart	1000	mV	
			2.0V < V _{ONOM} <= 2.8V		800		
			2.8V < V _{ONOM} < 3.8V		600		
Output Current	I _O	V _O > 1.2V	1500			mA	
Current Limit	I _{LIM}	V _O > 1.2V	1500	2000		mA	
Short Circuit Current	I _{SC}	V _O < 0.4V		750	1500	mA	
Quiescent Current	I _Q	I _O =0mA		35	50	µA	
Ground Pin Current	I _{GND}	I _O =1mA to 1.5A		35		µA	
Line Regulation	REG _{LINE}	I _O =1mA V _{IN} =V _O +1 to V _O +2	V _O < 2.0V	-0.15		0.15	%
			4.0V > V _O >= 2.0V	-0.1	0.02	0.1	%
			V _O >= 4.0V	-0.4	0.2	0.4	%
Load Regulation	REG _{LOAD}	I _O =1mA to 1500mA		0.2	1	%	
Over Temperature Shutdown	OTS			150		°C	
Over Temperature Hysteresis	OTH			30		°C	
V _O Temperature Coefficient	TC			30		ppm/°C	
Power Supply Rejection	PSRR	I _O =100mA C _O =4.7µF	f=1kHz		50	dB	
			f=10kHz		20		
			f=100kHz		15		
Power Supply Rejection	PSRR	I _O =100mA C _O =4.7µF C _{BY P} =0.01µF	f=1kHz		75	dB	
			f=10kHz		55		
			f=100kHz		30		
Output Voltage Noise	eN	f=10Hz to 100kHz I _O =10mA, C _{BY P} =0µF	C _O =4.7µF		30	mVrms	
			C _O =100µF		20		
Output Voltage Noise	eN	f=10Hz to 100kHz I _O =10mA, C _{BY P} =0.01µF	C _O =4.7µF		30	mVrms	
			C _O =100µF		20		
ADJ Input Bias Current	I _{ADJ}			1		mA	
ADJ Reference Voltage	V _{REF}		1.223	1.242	1.261	V	
EN Input Threshold	V _{EH}	V _{IN} =2.7V to 7V	2.0		V _{in}	V	
	V _{EL}	V _{IN} =2.7V to 7V	0		0.4	V	
EN Input Bias Current	I _{EH}	V _{EN} =V _{IN} , V _{IN} =2.7V to 7V			0.1	µA	
	I _{EL}	V _{EN} =V _{OV} , V _{IN} =2.7V to 7V			0.5	µA	
Shutdown Supply Current	I _{SD}	V _{IN} =5V, V _O =0V, V _{EN} <V _{EL}		0.5	1	µA	
Output Under Voltage	V _{UV}	Note1			85	% V _{O(NOM)}	
Output Over Voltage	V _{OV}	Note1	115			% V _{O(NOM)}	
PG Leakage Current	I _{LC}	V _{PG} =7V			1	mA	
PG Voltage Rating	V _{PG}	V _O in regulation			7	V	
PG Voltage Low	V _{OL}	I _{SINK} =500µA			0.4	V	

Note1: V_{IN(min)}=V_{OUT}+V_{DROPOUT}



■ Detailed Description

The AME8817 family of CMOS regulators contain a PMOS pass transistor, voltage reference, error amplifier, over-current protection, and thermal shutdown.

The P-channel pass transistor receives data from the error amplifier, over-current shutdown, and thermal protection circuits. During normal operation, the error amplifier compares the output voltage to a precision reference. Over-current and Thermal shutdown circuits become active when the junction temperature exceeds 150°C, or the current exceeds 2.2A. During thermal shutdown, the output voltage remains low. Normal operation is restored when the junction temperature drops below 110°C.

The AME8817 behaves like a current source when the load reaches 2.2A. However, if the load impedance drops below 0.3 ohms, the current drops back to 600mA to prevent excessive power dissipation. Normal operation is restored when the load resistance exceeds 0.75 ohms.

■ External Capacitors

The AME8817 is stable with an output capacitor to ground of 4.7 μ F or greater. Ceramic capacitors have the lowest ESR, and will offer the best AC performance. Conversely, Aluminum Electrolytic capacitors exhibit the highest ESR, resulting in the poorest AC response. Unfortunately, large value ceramic capacitors are comparatively expensive. One option is to parallel a 0.1 μ F ceramic capacitor with a 10 μ F Aluminum Electrolytic. The benefit is low ESR, high capacitance, and low overall cost.

A second capacitor is recommended between the input and ground to stabilize V_{in} . The input capacitor should be at least 0.1 μ F to have a beneficial effect.

A third capacitor can be connected between the BY-PASS pin and GND. This capacitor can be a low cost Polyester Film variety between the value of 0.001 ~ 0.01 μ F. A larger capacitor improves the AC ripple rejection, but also makes the output come up slowly. This "Soft" turn-on is desirable in some applications to limit turn-on surges.

All capacitors should be placed in close proximity to the pins. A "Quiet" ground termination is desirable. This can be achieved with a "Star" connection.

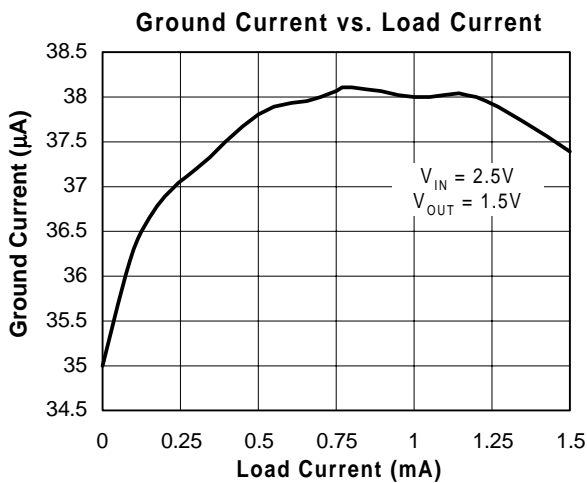
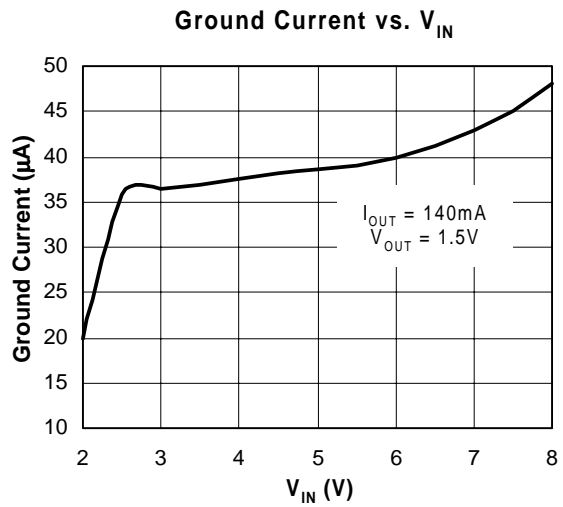
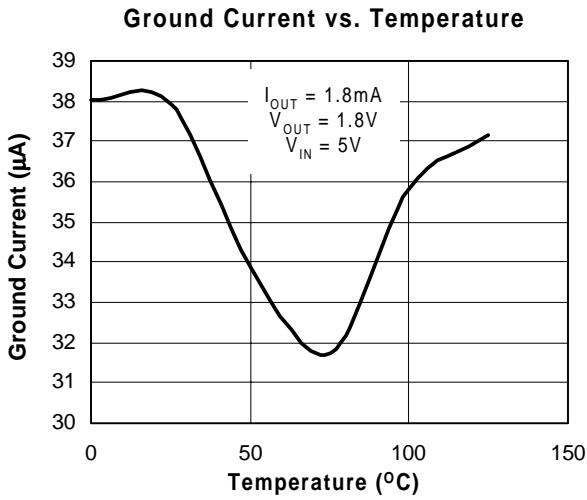
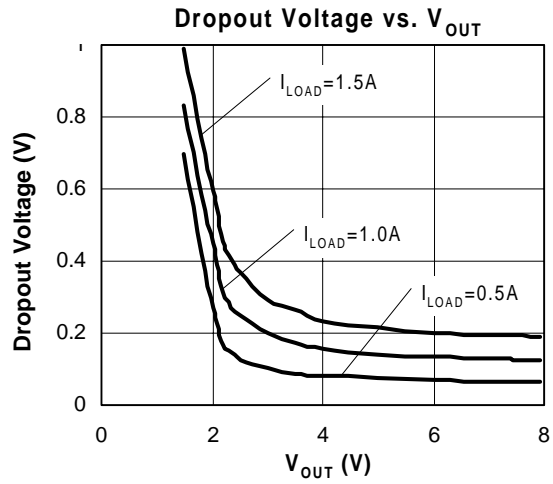
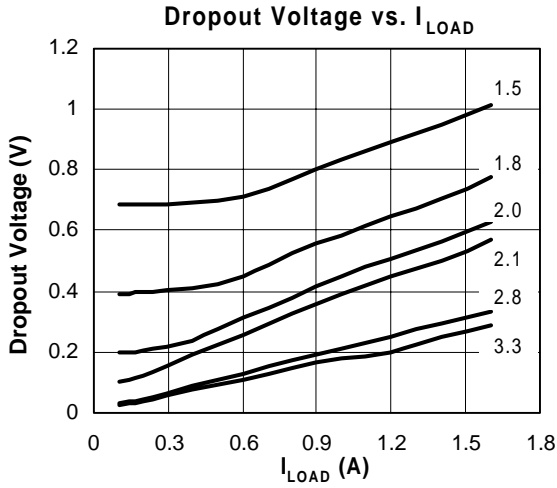
■ Enable

When pulled low, the PMOS pass transistor shuts off, and all internal circuits are powered down. In this state, the quiescent current is less than 1 μ A. This pin behaves much like an electronic switch.

■ Power Good

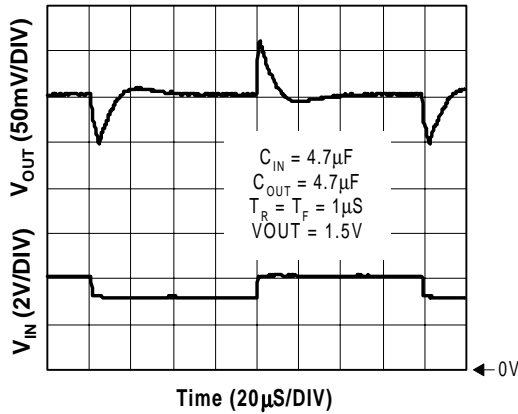
The AME8817 includes the Power Good feature. Normally, the PG pin is "Floating", however, when the output is not within $\pm 15\%$ of the specified voltage, it pulls low. This can occur under the following conditions:

- 1) Input Voltage too low.
- 2) During Over-Temperature.
- 3) During Over-Current.
- 4) If output is pulled up.

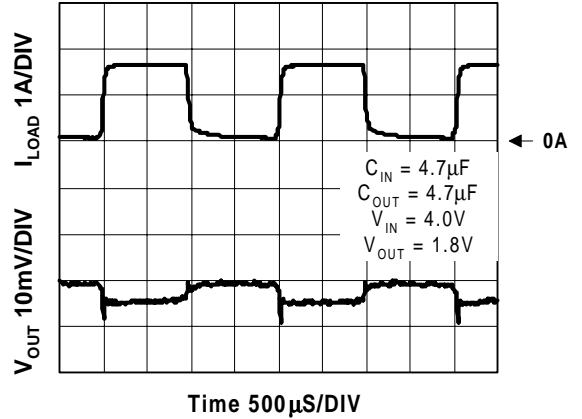




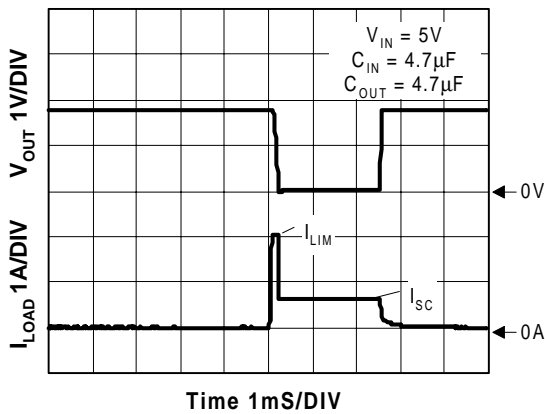
Transient Line Response



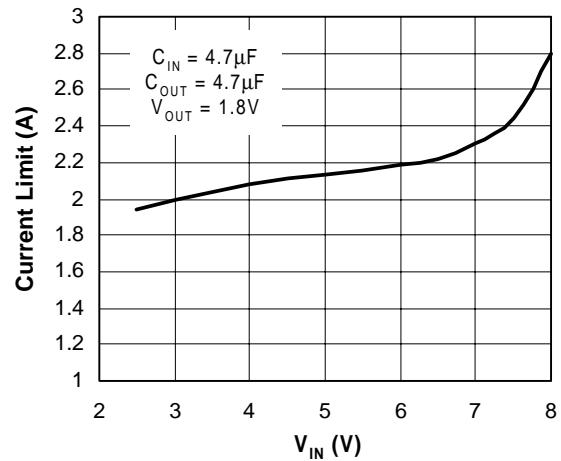
Load Step 40mA to 1.5A



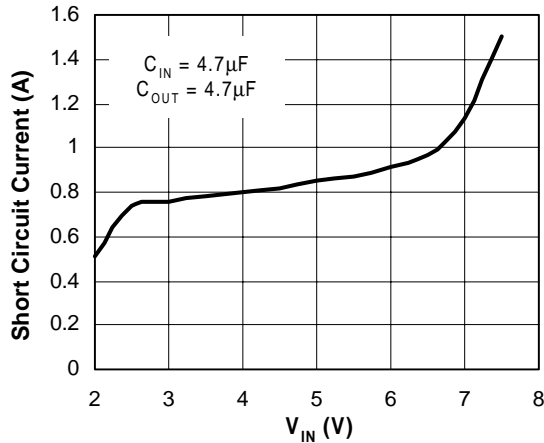
Current Limit Response



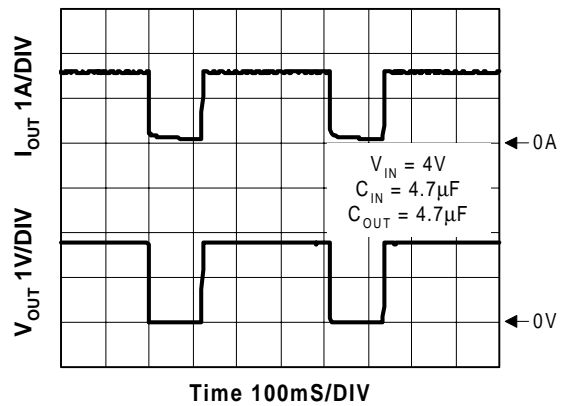
Current Limit Vs. V_{IN}

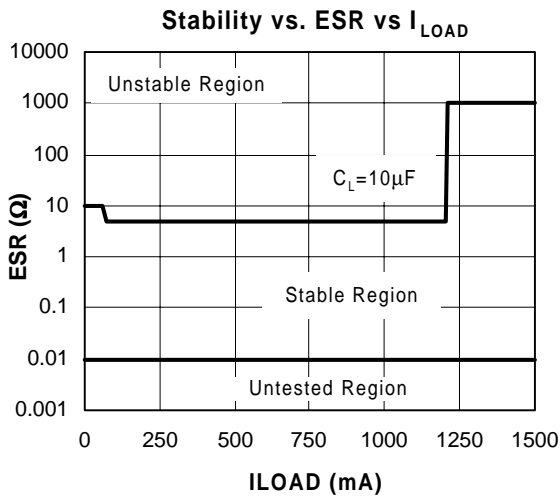
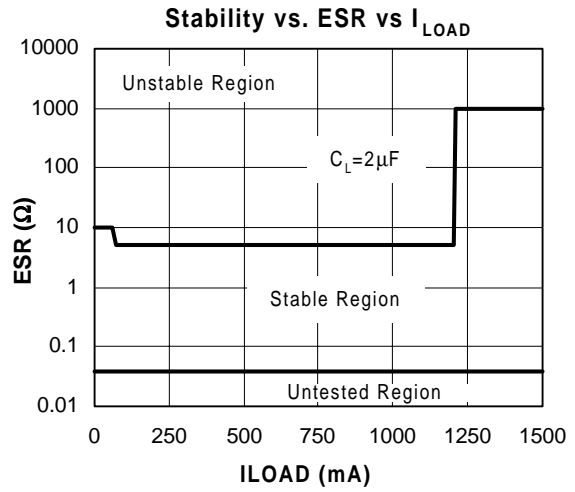
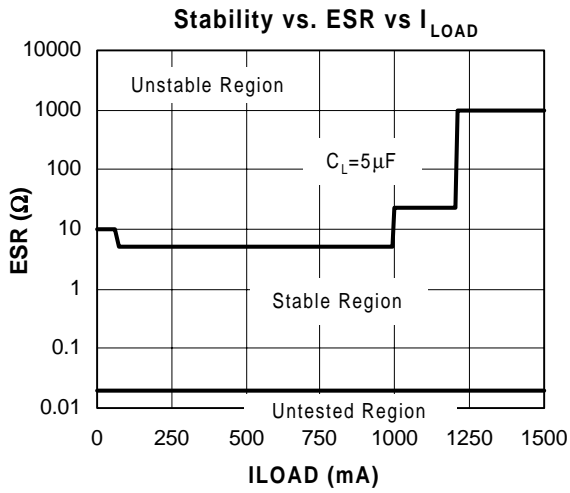


Short Circuit Current VS. V_{IN}



Overtemperature Shutdown

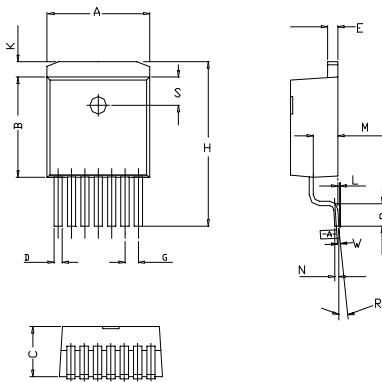






■ Package Dimension

TO-263 (DDPAK-7)



SYMBOLS	MILLIMETERS		INCHES	
	MIN	MAX	MIN	MAX
A	10.05	10.31	0.396	0.406
B	8.28	8.53	0.326	0.336
C	4.31	4.57	0.170	0.180
D	0.66	0.91	0.026	0.036
E	1.14	1.40	0.045	0.055
G	1.27 ref		0.050 ref	
H	14.73	15.75	0.580	0.620
K	1.40	1.68	0.000	0.066
L	0.00	0.25	0.055	0.010
M	2.49	2.74	0.000	0.108
N	0.43	0.58	0.098	0.023
P	2.29	2.79	0.017	0.110
R	0°	8°	0°	8°
S	2.41	2.67	0.095	0.105
W	0.25		0.01	



www.analogmicro.com
E-Mail: info@analogmicro.com

Life Support Policy:

These products of Analog Microelectronics, Inc. are not authorized for use as critical components in life-support devices or systems, without the express written approval of the president of Analog Microelectronics, Inc.

Analog Microelectronics, Inc. reserves the right to make changes in the circuitry and specifications of its devices and advises its customers to obtain the latest version of relevant information.

© Analog Microelectronics, Inc. , August 2001

Document: 2013-doc-006-0806

Corporate Headquarters
Analog Microelectronics, Inc.

3100 De La Cruz Blvd. Suite 201
Santa Clara, CA. 95054-2046
Tel : (408) 988-2388
Fax: (408) 988-2489

Asia Pacific Headquarters
AME, Inc.

2F, 187 Kang-Chien Road, Nei-Hu Dist.
Taipei 114, Taiwan, R.O.C.
Tel : 886 2 2627-8687
Fax: 886 2 2659-2989