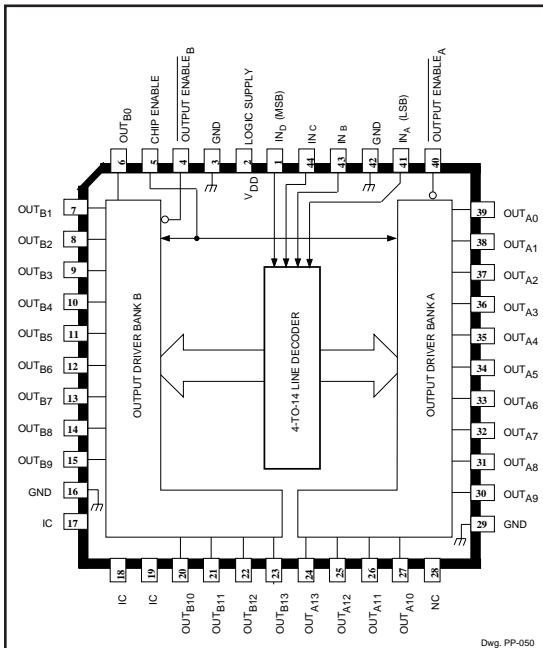


**DISCONTINUED PRODUCT**  
Shown for Reference Only  
Replaced by A6817SEP

## ADDRESSABLE 28-LINE DECODER/DRIVER



### ABSOLUTE MAXIMUM RATINGS at $T_A = 25^\circ\text{C}$

Output Voltage, $V_{CE}$ .....	30 V
Logic Supply Voltage, $V_{DD}$ .....	7.0 V
Input Voltage Range, $V_{IN}$ .....	-0.3 V to $V_{DD} + 0.3$ V
Output Current, $I_C$ .....	600 mA
Package Power Dissipation, $P_D$ .....	2.70 W*
Operating Temperature Range, $T_A$ .....	$-20^\circ\text{C}$ to $+85^\circ\text{C}$
Storage Temperature Range, $T_S$ .....	$-55^\circ\text{C}$ to $+150^\circ\text{C}$

\*Derate at rate of 22 mW/ $^\circ\text{C}$  above  $T_A = 25^\circ\text{C}$ .

*Caution: CMOS devices have input static protection but are susceptible to damage when exposed to extremely high static electrical charges.*

Intended for use in ink-jet printer applications, the A5817SEP addressable 28-line decoder/driver combines low-power CMOS inputs and logic with 28 high-current, high-voltage bipolar outputs. A 4-to-14 line decoder determines the selected output driver (n) in each 14-driver bank. Two independent output enable inputs (active low) then provide the final decoding to activate 1- or 2-of-28 outputs ( $OUT_{An}$  and/or  $OUT_{Bn}$ ). Special internal circuitry is programmed at the time of manufacture to adjust the output pulse timing and thereby the energy the device delivers to the ink-jet print head.

The CMOS inputs cause minimal loading and are compatible with standard CMOS, PMOS, and NMOS logic. Use with TTL or DTL circuits may require appropriate pull-up resistors to ensure an input logic high. The internal CMOS logic operates from a 5 V supply. A CHIP ENABLE function is provided to lock out the drivers during system power up. The 28 bipolar power outputs are open-collector 30 V Darlington drivers capable of sinking 500 mA at ambient temperatures up to  $85^\circ\text{C}$ .

The A5817SEP is furnished in a 44-lead plastic chip carrier (quad pack) for minimum-area, surface-mount applications.

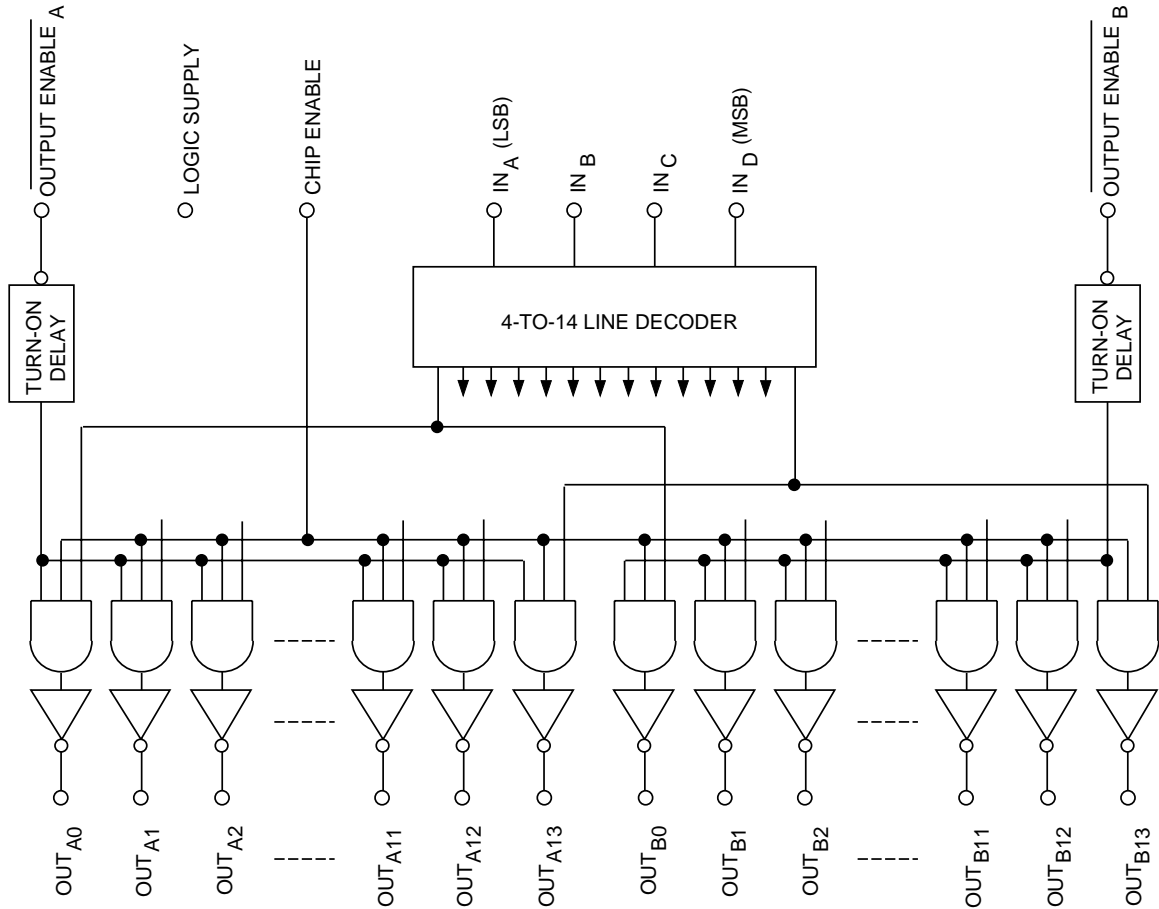
### FEATURES

- Controlled Characteristics for Ink-Jet Printers
- Addressable Data Entry
- 30 V Minimum  $V_{(BR)CEX}$
- CMOS, PMOS, NMOS Compatible Inputs
- Low-Power CMOS Logic

Always order by complete part number: **A5817SEP**.

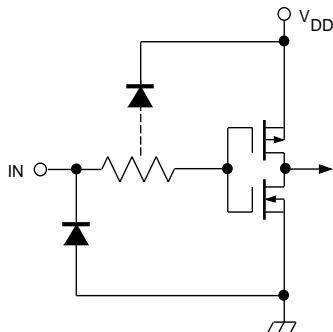
# 5817 ADDRESSABLE 28-LINE DECODER/DRIVER

## FUNCTIONAL BLOCK DIAGRAM



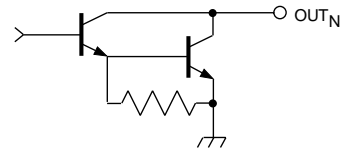
Dwg. FP-032

## TYPICAL INPUT CIRCUIT



Dwg. EP-010-1

## TYPICAL OUTPUT DRIVER



Dwg. EP-021-7



# 5817

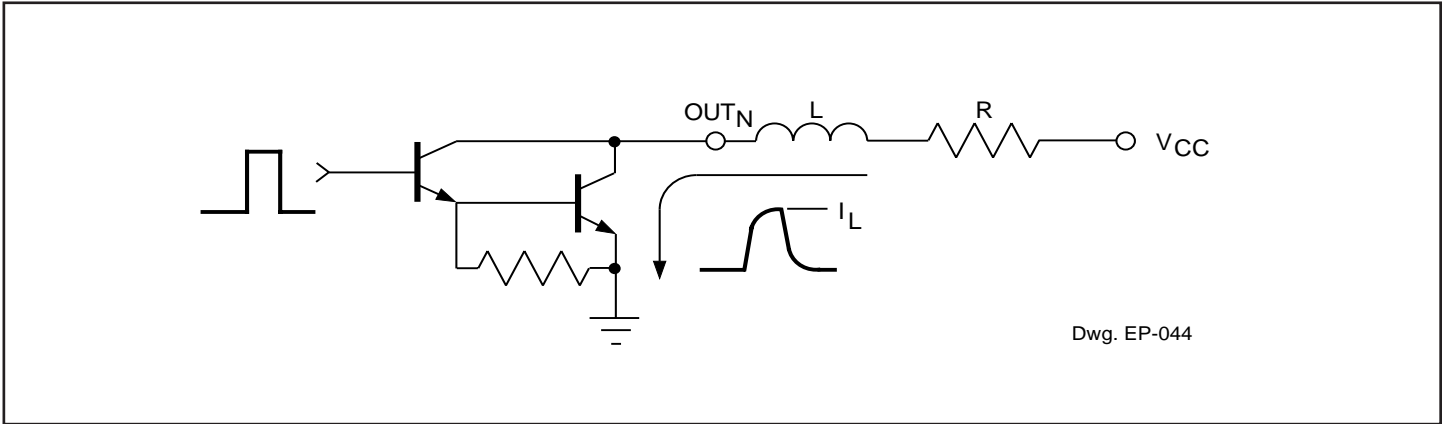
## ADDRESSABLE 28-LINE DECODER/DRIVER

### ELECTRICAL CHARACTERISTICS at $T_A = +25^\circ\text{C}$ , $V_{DD} = 5.0\text{ V}$ .

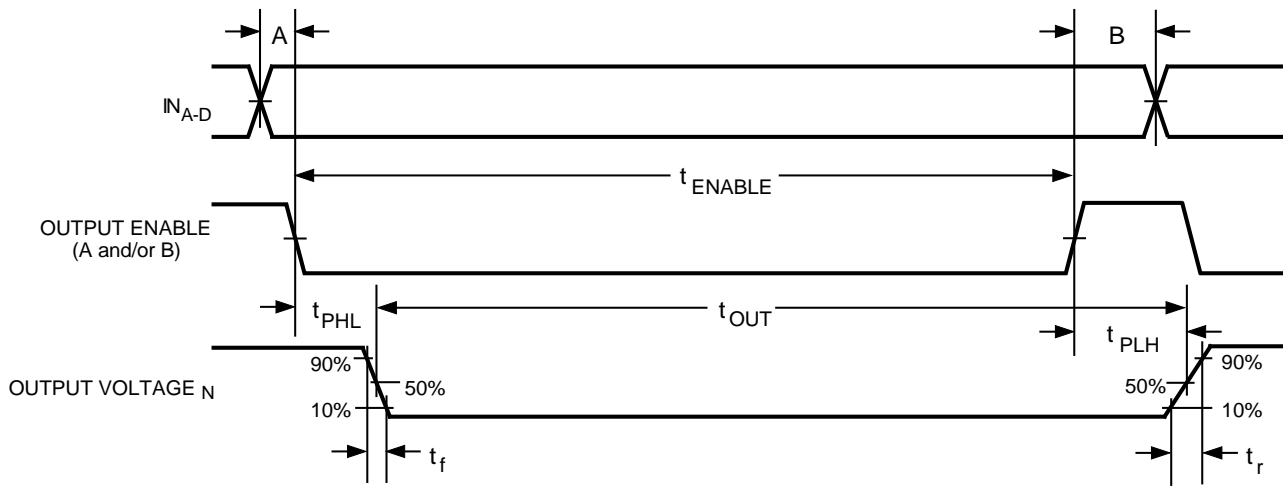
Characteristic	Symbol	Test Conditions	Limits			
			Min	Typ	Max	Units
<b>Output Drivers</b>						
Output Leakage Current	$I_{CEX}$	$V_{CE} = 30\text{ V}$	—	<1.0	100	$\mu\text{A}$
Output Saturation Voltage	$V_{CE(SAT)}$	$I_{OUT} = 450\text{ mA}$	0.85	1.15	1.45	V
		$I_{OUT} = 400\text{ mA}$	0.8	1.1	1.4	V
Output Breakdown Voltage	$V_{(BR)CEX}$	$R_L = 56\ \Omega$	30	—	—	V
Unclamped Inductive Load Current	—	$V_{CC} = 30\text{ V}$ , $L = 3\ \mu\text{H}$ , $R_L = 56\ \Omega$ , $I_L = 500\text{ mA}$ , Test Fig.	See Note			—
Turn-On Time	$t_{PHL}$	$V_{CC} = 21\text{ V}$ , $R_L = 39\ \Omega$	125	225	475	ns
Fall Time	$t_f$	$V_{CC} = 21\text{ V}$ , $R_L = 39\ \Omega$	—	20	—	ns
Turn-Off Time	$t_{PLH}$	$V_{CC} = 21\text{ V}$ , $R_L = 39\ \Omega$	175	250	400	ns
Rise Time	$t_r$	$V_{CC} = 21\text{ V}$ , $R_L = 39\ \Omega$	—	50	—	ns
<b>Control Logic</b>						
Logic Input Voltage	$V_{IN(1)}$		3.5	—	—	V
	$V_{IN(0)}$		—	—	0.8	V
Logic Input Current	$I_{IN(1)}$	$V_{IN} = 5.0\text{ V}$	—	<1.0	100	$\mu\text{A}$
	$I_{IN(0)}$	$V_{IN} = 0\text{ V}$	—	<-1.0	-100	$\mu\text{A}$
Input Resistance	$R_{IN}$		50	—	—	$\text{k}\Omega$
Supply Current	$I_{DD(ON)}$	Two Outputs ON	—	6.0	10.0	mA
	$I_{DD(OFF)}$	All Drivers OFF, All Inputs = 0 V, $OE_A = OE_B = V_{DD}$	—	—	600	$\mu\text{A}$

Note: Device will turn off and meet all specifications after test.

**5817**  
**ADDRESSABLE**  
**28-LINE DECODER/DRIVER**



**UNCLAMPED INDUCTIVE LOAD CURRENT TEST FIGURE**



Dwg. WP-017

**TIMING CONDITIONS**  
 (Logic Levels are  $V_{DD}$  and Ground)

- A. Minimum Data Active Time Before Output Enable (Data Set-Up Time) ..... 150 ns
- B. Minimum Data Hold Time After Output Enable (Data Hold Time) ..... 250 ns

# 5817 ADDRESSABLE 28-LINE DECODER/DRIVER

## APPLICATIONS INFORMATION

This device is intended specifically for, although certainly not limited to, driving ink-jet print heads. In this application, a certain minimum energy (a function of load voltage and output pulse duration) is required for proper operation, while excessive energy will degrade the life of the print head. The output pulse duration ( $t_{OUT}$ ) is equal to  $t_{ENABLE} + t_{PLH} - t_{PHL}$ , where  $t_{PHL}$  is adjusted during manufacture to compensate for variations in the output saturation voltage ( $V_{CE(SAT)}$ ).

For the A5817SEP, the relationship between  $t_{OUT}$  and  $t_{ENABLE}$  at  $T_A = 25^\circ\text{C}$  is:

$$t_{OUT} = t_{ENABLE} \left( \frac{V_{CE(SAT)}(\text{actual}) - V_{CE(SAT)}(\text{typical})}{\times 330 \text{ ns}} \right) + 25 \text{ ns} + 110 \text{ ns}.$$

For most applications, this will result in a driver-contribution-to-energy-error of less than  $\pm 4\%$ .

A logic low on the CHIP ENABLE input will prevent the drivers from turning ON, regardless of the state of other inputs or the logic supply voltage. The CHIP ENABLE input has a slow response time and should not be used as a high-speed control line. For proper operation, all ground terminals should be connected to a common ground on the printed wiring board. The IC (Internal Connection) terminals are used to program the turn-on time of the device and **MUST** be left electrically unconnected (floating) for proper operation.

## DECODER TRUTH TABLE

IN <sub>D</sub> (MSB)	IN <sub>C</sub>	IN <sub>B</sub>	IN <sub>A</sub> (LSB)	N
0	0	0	0	0
0	0	0	1	1
0	0	1	0	2
0	0	1	1	3
0	1	0	0	4
0	1	0	1	5
0	1	1	0	6
0	1	1	1	7
1	0	0	0	8
1	0	0	1	9
1	0	1	0	10
1	0	1	1	11
1	1	0	0	12
1	1	0	1	13
1	1	1	0	ALL OFF
1	1	1	1	ALL OFF

Depending on the four address inputs, the 4-to-14 line decoder selects one driver from each of the 14 output A and B banks of sink drivers according to the Decoder Truth Table. The state of the selected outputs is determined by the OUTPUT ENABLE inputs as shown in the Enable Truth Table.

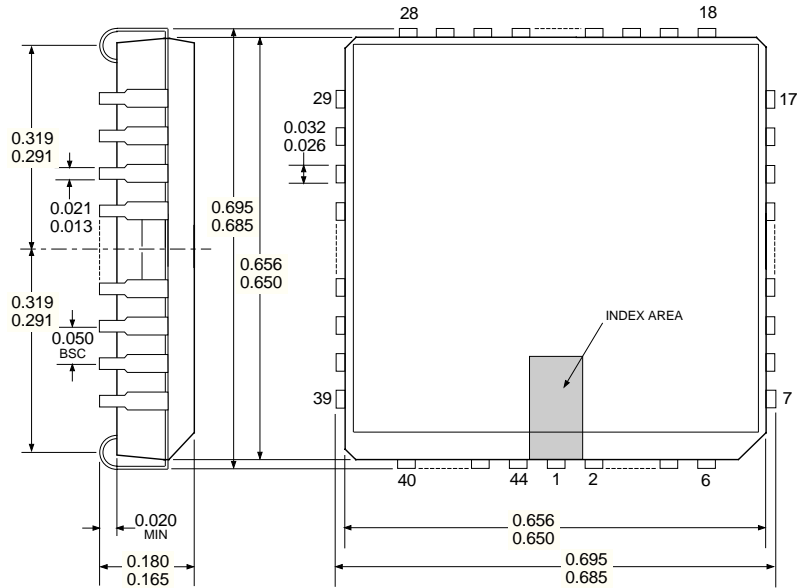
## ENABLE TRUTH TABLE

CHIP ENABLE	OUTPUT ENABLE <sub>A</sub>	OUTPUT ENABLE <sub>B</sub>	OUTPUTS (OFF unless otherwise specified. For the value of N see the Decoder Truth Table)
0	X	X	ALL OFF
1	1	1	ALL OFF
1	0	1	OUT <sub>AN</sub> ON
1	1	0	OUT <sub>BN</sub> ON
1	0	0	OUT <sub>AN</sub> ON, OUT <sub>BN</sub> ON

X = Irrelevant

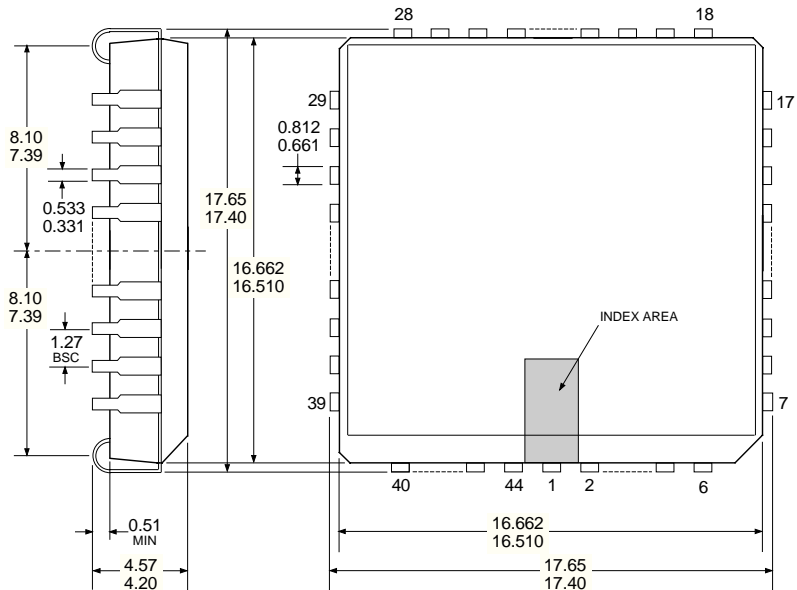
# 5817 ADDRESSABLE 28-LINE DECODER/DRIVER

Dimensions in Inches  
(for reference only)



Dwg. MA-005-44A in

Dimensions in Millimeters  
(controlling dimensions)



Dwg. MA-005-44A mm

- NOTES: 1. Exact body and lead configuration at vendor's option within limits shown.  
2. Lead spacing tolerance is non-cumulative.

*Allegro MicroSystems, Inc. reserves the right to make, from time to time, such departures from the detail specifications as may be required to permit improvements in the design of its products.*

*The information included herein is believed to be accurate and reliable. However, Allegro MicroSystems, Inc. assumes no responsibility for its use; nor for any infringements of patents or other rights of third parties which may result from its use.*

