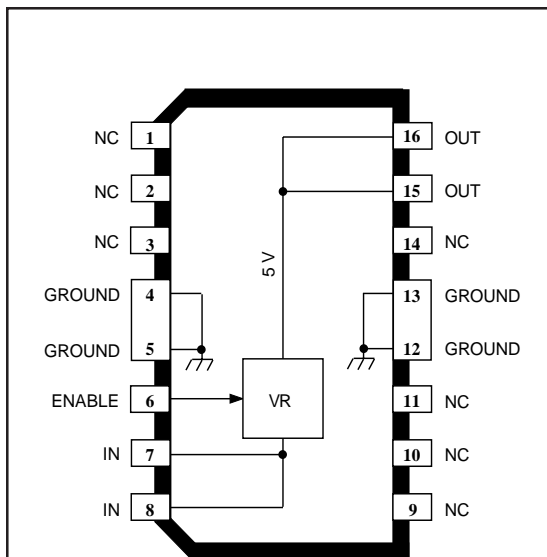


LOW-DROPOUT, 5 V REGULATOR — HIGH EFFICIENCY



Dwg. PS-018

ABSOLUTE MAXIMUM RATINGS

at $T_A = +25^\circ\text{C}$

Input Voltage, V_I	10 V
Output Current, I_O (40% duty cycle)	1 A*
(75% duty cycle)	500 mA*
(continuous)	370 mA*
Operating Temperature Range, T_A	-20°C to $+85^\circ\text{C}$
Junction Temperature, T_J	$+150^\circ\text{C}\dagger$
Storage Temperature Range, T_S	-40°C to $+150^\circ\text{C}$

* Output current rating is limited by input voltage, duty cycle, and ambient temperature. Under any set of conditions, do not exceed a junction temperature of $+150^\circ\text{C}$. See next page.

† Fault conditions that produce excessive junction temperature will activate device thermal shutdown circuitry. These conditions can be tolerated but should be avoided.

Especially suited for hand-held, portable, battery-operated equipment such as cellular telephones, the A8181SLB low dropout voltage regulator provides high efficiency for maximum battery life in a minimum package size. Equally applicable to camcorders and portable computers, the device provides a fixed 5 V regulated continuous output at almost 200 mA of load current under worst-case conditions. Under normal operating conditions, output currents over 500 mA are permitted.

A MOSFET pass element delivers high output current with an input-output differential of less than 300 mV. For high efficiency, the low dropout voltage allows a longer battery discharge before output voltage regulation is lost. A low quiescent current, even during high load conditions, makes the device ideal for standby power systems. High regulator accuracy and excellent temperature characteristics are provided by a bandgap reference. An enable input gives the designer complete control over sequential power-up or emergency shutdown.

This device is supplied in a 16-lead wide-body, small-outline plastic power package (SOIC) for surface-mount applications. The copper batwing provides for maximum package power dissipation in the smallest possible construction. The A8181SLB is rated for operation over a temperature range of -20°C to $+85^\circ\text{C}$.

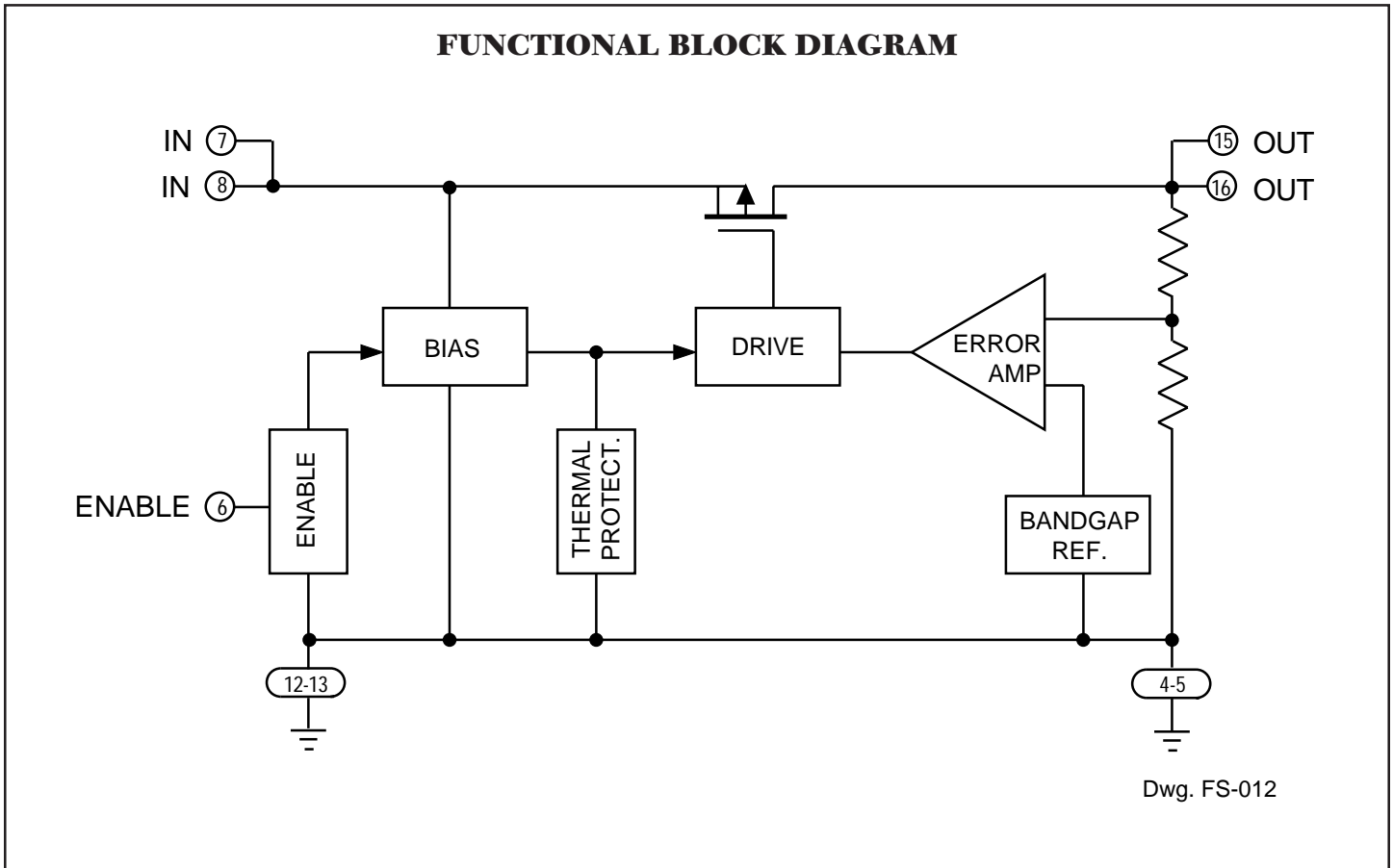
FEATURES AND BENEFITS

- High Efficiency Provides Extended Battery Life
- Less Than 300 mV Dropout Voltage
- Low Quiescent Current
- >200 mA Output Current
- LSTTL-Compatible ON/OFF Control
For Sequential Power-up or Emergency Shutdown
- Internal Thermal Protection
- SOIC Surface-Mount Package

Always order by complete part number: **A8181SLB**

8181 LOW-DROPOUT, 5 V REGULATOR

FUNCTIONAL BLOCK DIAGRAM



MAXIMUM ALLOWABLE OUTPUT CURRENT with device mounted on 2.24" x 2.24" (56.9 mm x 56.9 mm) solder-coated copper-clad board in still air.

T _A	Maximum Allowable Output Current in Milliamperes with V _I = 10 V, T _J = 150°C*								
	dc (Duty Cycle)								
	100%	90%	80%	70%	60%	50%	40%	30%	20%
25°C	370	415	465	530	620	745	930	1000	1000
50°C	295	330	370	425	495	595	745	995	1000
70°C	235	265	295	340	395	475	595	795	1000
85°C	190	215	240	275	320	385	485	645	970

$$* I_o = (T_J - T_A) / ([V_I - V_O] R_{\theta JA} \cdot dc) = (150 - T_A) / (5 \cdot 67 \cdot dc)$$

Output current rating can be increased (to 1 A maximum) by heat sinking or reducing the input voltage. With an infinite heat sink, R_{JA} = R_{JT} = 6°C/W. Conditions that produce excessive junction temperature will activate device thermal shutdown circuitry. These conditions can be tolerated but should be avoided.



8181

LOW-DROPOUT, 5 V REGULATOR

ELECTRICAL CHARACTERISTICS at $T_A +25^\circ\text{C}$ (unless otherwise noted).

Characteristic	Symbol	Test Conditions	Limits			
			Min.	Typ.	Max.	Units
Output Voltage	V_O	$T_A = 25^\circ\text{C}$, $5.5\text{ V} \leq V_I \leq 10\text{ V}$, $0\text{ mA} \leq I_O \leq 500\text{ mA}\dagger$	4.90	5.00	5.10	V
		$T_A = 85^\circ\text{C}$, $5.5\text{ V} \leq V_I \leq 10\text{ V}$, $0\text{ mA} \leq I_O \leq 500\text{ mA}\dagger$	4.85	—	5.15	V
Output Volt. Temp. Coeff.	α_{V_O}	$I_O = 0$	—	± 100	—	$\mu\text{V}/^\circ\text{C}$
Line Regulation	$\Delta V_{O(\Delta V_I)}$	$5.5\text{ V} \leq V_I \leq 10\text{ V}$, Output open	—	10	30	mV
Load Regulation	$\Delta V_{O(\Delta I_O)}$	$0\text{ mA} \leq I_O \leq 500\text{ mA}\dagger$, $V_I = 6\text{ V}$	—	40	100	mV
Dropout Voltage	$V_{I\text{min}} - V_O$	$I_O = 500\text{ mA}\dagger$	—	—	300	mV
Quiescent Current (GND terminal current)	I_Q	$V_I = 10\text{ V}$, $I_O = 500\text{ mA}\dagger$	—	87	120	μA
		$V_I = 10\text{ V}$, Output open	—	86	120	μA
	$I_{Q(\text{off})}$	$V_I = 10\text{ V}$, Output open, $V_E = 0.4\text{ V}$	—	—	20	μA
ENABLE Input Voltage	V_{EH}	Output ON, $V_I = 10\text{ V}$	2.4	—	—	V
	V_{EL}	Output OFF, $V_I = 10\text{ V}$	—	—	0.4	V
ENABLE Input Current	I_E	$V_E = V_I = 10\text{ V}$	—	—	± 0.1	μA
Thermal Shutdown Temp.	T_J		—	165	—	$^\circ\text{C}$
Thermal Resistance	$R_{\theta JA}$	Mounted on 2.24" x 2.24" solder-coated copper-clad board in still air	—	67	—	$^\circ\text{C}/\text{W}$
	$R_{\theta JT}$		—	6.0	—	$^\circ\text{C}/\text{W}$

Typical values are given for circuit design information only.

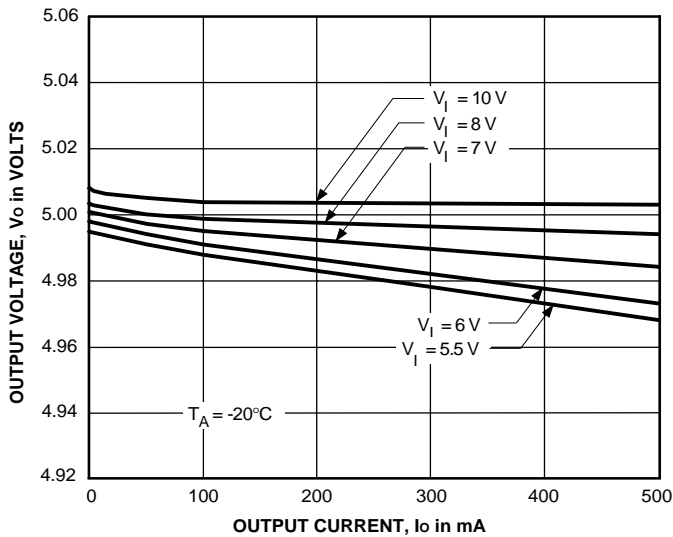
* This parameter is tested to a lot sample plan only.

† Pulse test (<20 ms).

8181 LOW-DROPOUT, 5 V REGULATOR

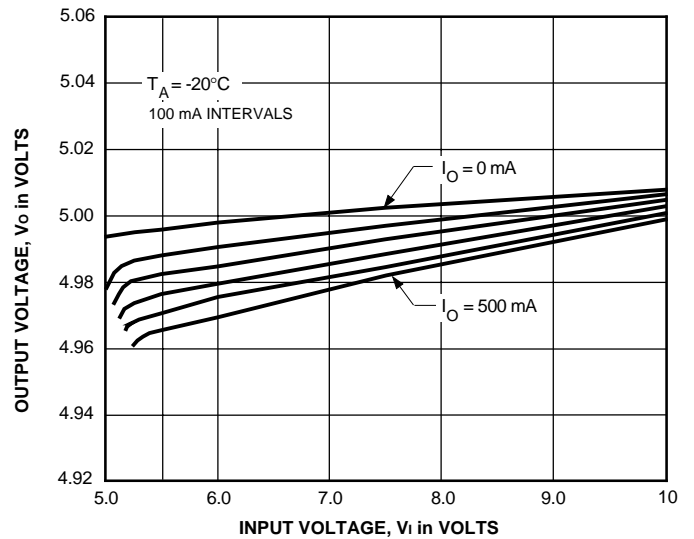
TYPICAL CHARACTERISTICS

LOAD REGULATION

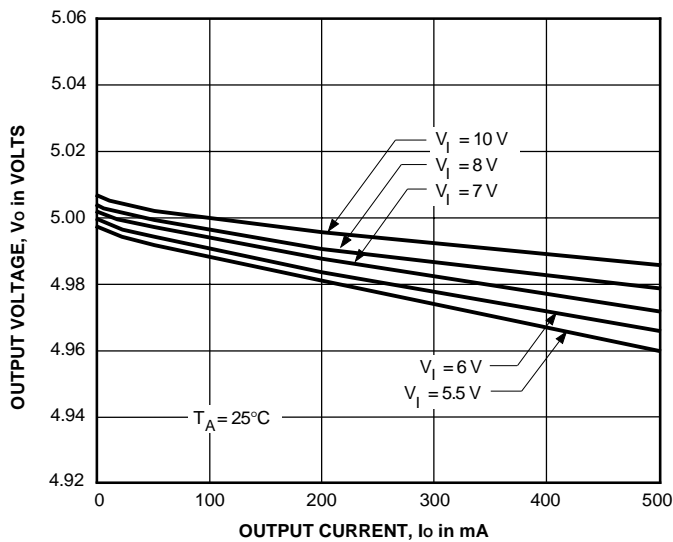


Dwg. GP-039

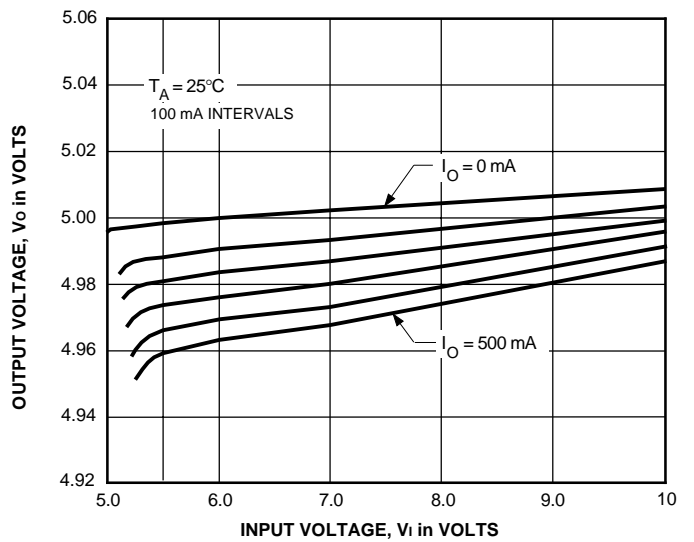
LINE REGULATION



Dwg. GP-040



Dwg. GP-039-1



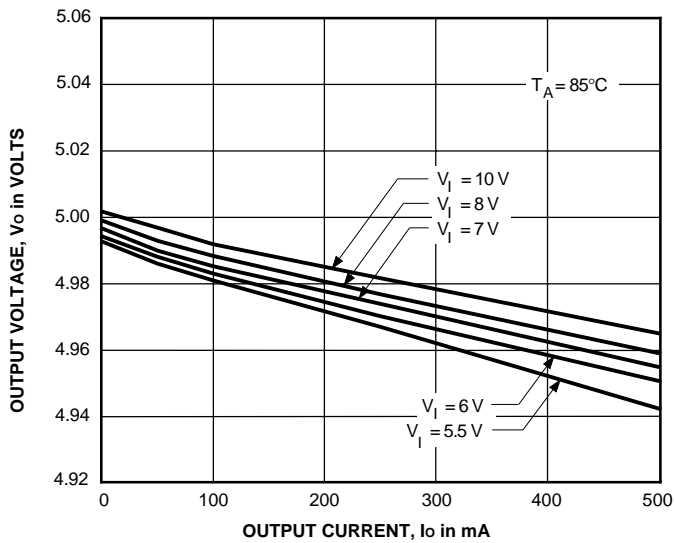
Dwg. GP-040-1

CAUTION: Maximum allowable duty cycle will be significantly less than 100% at high temperatures, at high input voltages, or at high output currents. See Maximum Allowable Output Current table.

8181 LOW-DROPOUT, 5 V REGULATOR

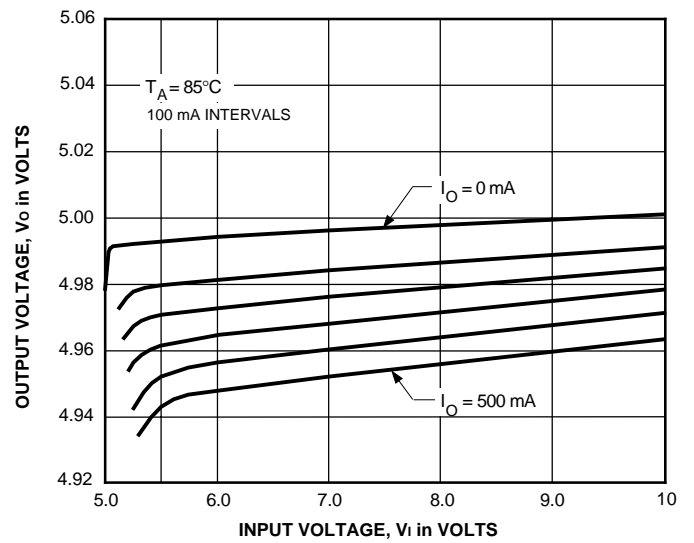
TYPICAL CHARACTERISTICS (cont'd)

LOAD REGULATION



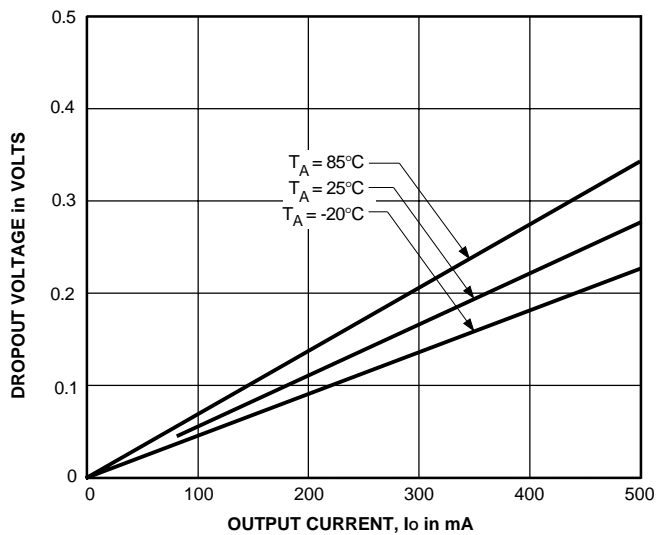
Dwg. GP-039-2

LINE REGULATION



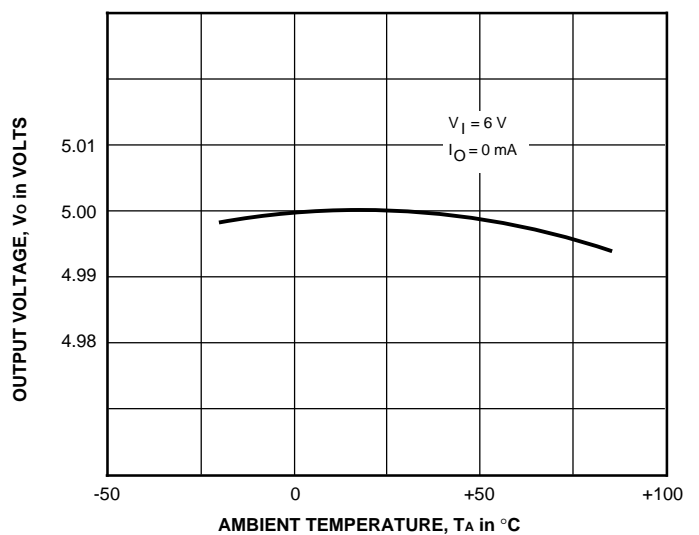
Dwg. GP-040-2

DROPOUT VOLTAGE



Dwg. GP-041

OUTPUT VOLTAGE vs TEMP.



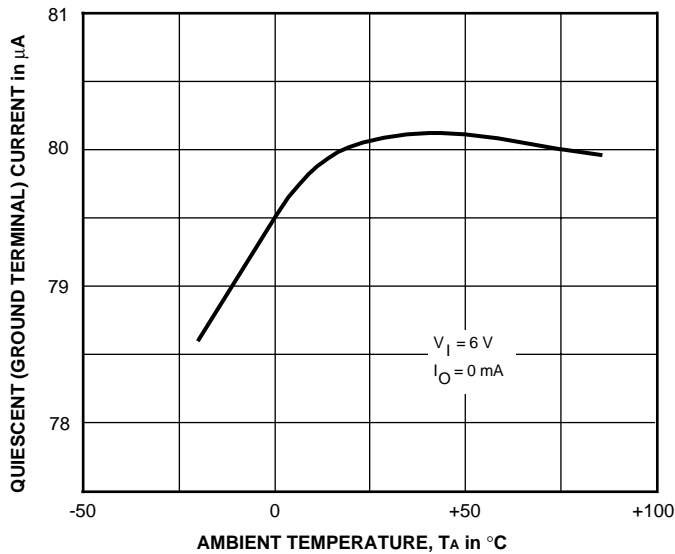
Dwg. GP-036

CAUTION: Maximum allowable duty cycle will be significantly less than 100% at high temperatures, at high input voltages, or at high output currents. See Maximum Allowable Output Current table.

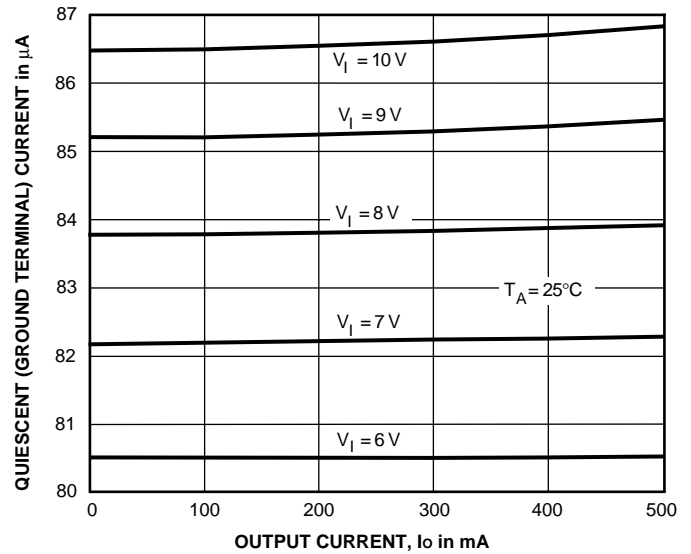
8181 LOW-DROPOUT, 5 V REGULATOR

TYPICAL CHARACTERISTICS (cont'd)

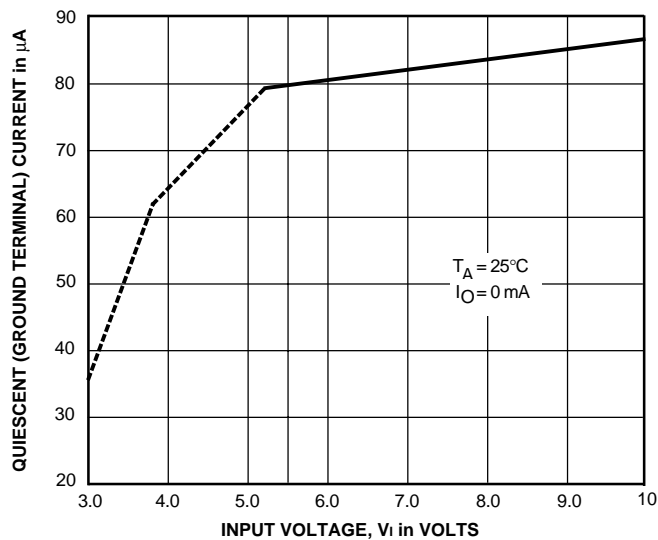
QUIESCENT (GROUND TERMINAL) CURRENT



Dwg. GP-037



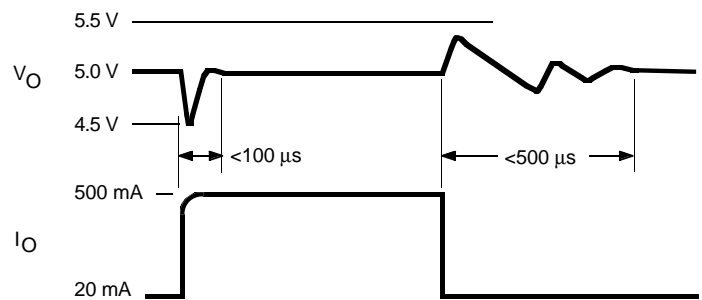
Dwg. GP-038



Dwg. GP-042

TRANSIENT PERFORMANCE

$V_I = 5.5\text{ V to }10\text{ V}$, $T_A = -20^{\circ}\text{C to }+85^{\circ}\text{C}$, $C_O = 4.7\ \mu\text{F}$



Dwg. WP-018

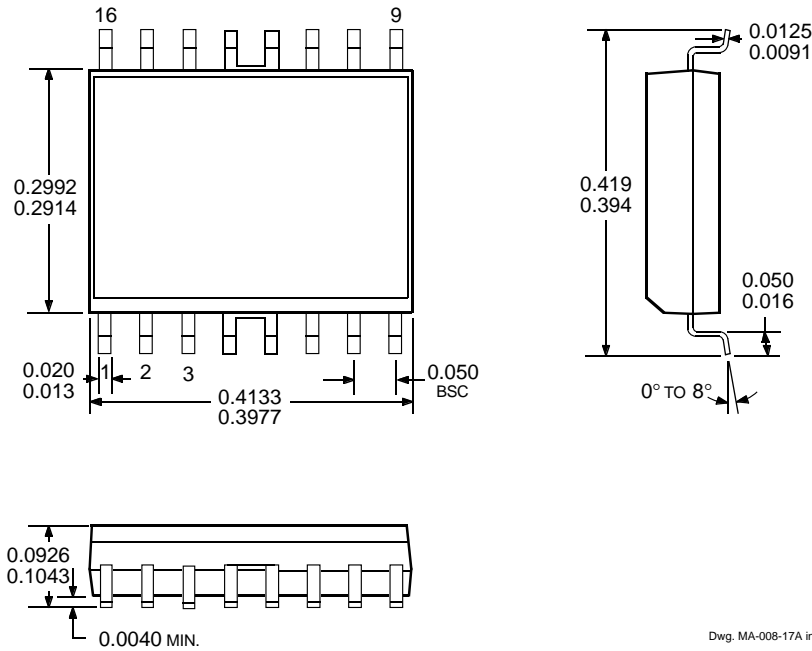
CAUTION: Maximum allowable duty cycle will be significantly less than 100% at high temperatures, at high input voltages, or at high output currents. See Maximum Allowable Output Current table.



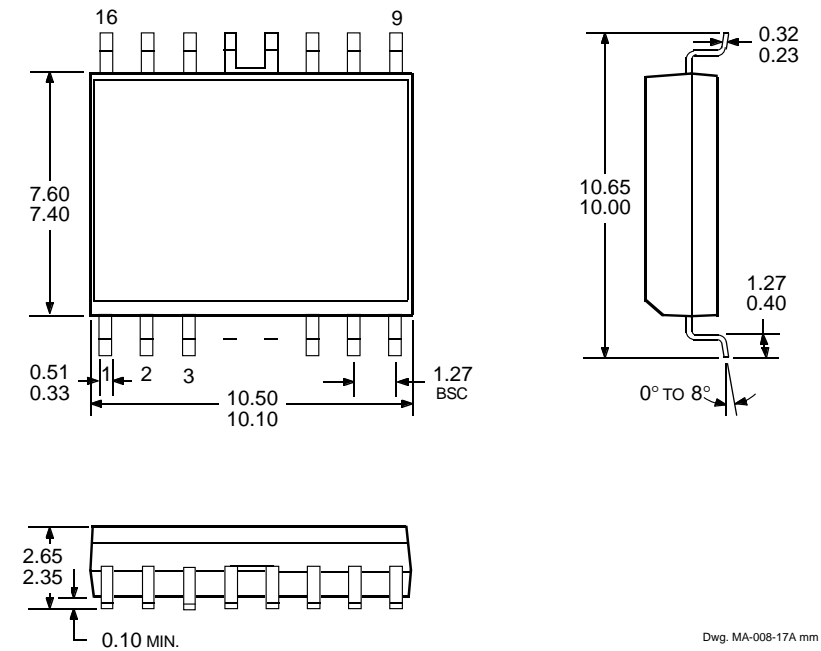
115 Northeast Cutoff, Box 15036
Worcester, Massachusetts 01615-0036 (508) 853-5000

8181 LOW-DROPOUT, 5 V REGULATOR

Dimensions in Inches (Based on 1 mm = 0.3937")



Dimensions in Millimeters



- NOTES: 1. Webbed lead frames. Leads 4, 5, 12, and 13 are internally one piece.
 2. Lead spring tolerance is non-cumulative.
 3. Exact body and lead configuration at vendor's option within limits shown.

8181 LOW-DROPOUT, 5 V REGULATOR

Allegro MicroSystems, Inc. reserves the right to make, from time to time, such departures from the detail specifications as may be required to permit improvements in the design of its products. Components made under military approvals will be in accordance with the approval requirements. The information included herein is believed to be accurate and reliable. However, Allegro MicroSystems, Inc. assumes no responsibility for its use; nor for any infringements of patents or other rights of third parties which may result from its use.



115 Northeast Cutoff, Box 15036
Worcester, Massachusetts 01615-0036 (508) 853-5000