

FEATURES

- Integrated monolithic GaAs amplifier and step attenuator.
- Compatible with all digital and analog modulation types.
- Frequency range: 5 - 100 MHz.
- Gain: 0 - 30 dB, variable in 2 dB steps.
- 5 Volt operation.
- Low noise figure.
- Low distortion.
- Amplifier shutdown capability.
- Low cost.
- High reliability.
- Low signal to noise ratio at all gain levels.



S12C
28 Pin SSOP w/ Heat Slug

DESCRIPTION

The ARA05050 is a GaAs IC designed to perform the reverse path amplification and output level control functions in a CATV Set-Top Box or Cable Modem. It incorporates a digitally controlled precision step attenuator that is preceded by an ultra low noise amplifier stage, and followed by an ultra-linear output driver amplifier. It is capable of meeting the MCNS/DOCSIS harmonic distortion specifications while only requiring a single polarity +5V supply. This part is a single ended design that does not require an output balun to achieve -55 dBc 2nd harmonic performance at +58 dBmV output

levels. Both the input and output are matched to 75 ohms. The precision attenuator provides up to 30 dB of attenuation in 2 dB increments. The ARA05050 is supplied in a 28-pin SSOP package featuring a thermal heat slug on the bottom of the package. Soldering this heat slug to the ground plane of the PC board ensures the lowest possible thermal resistance for the device resulting in a long MTF.

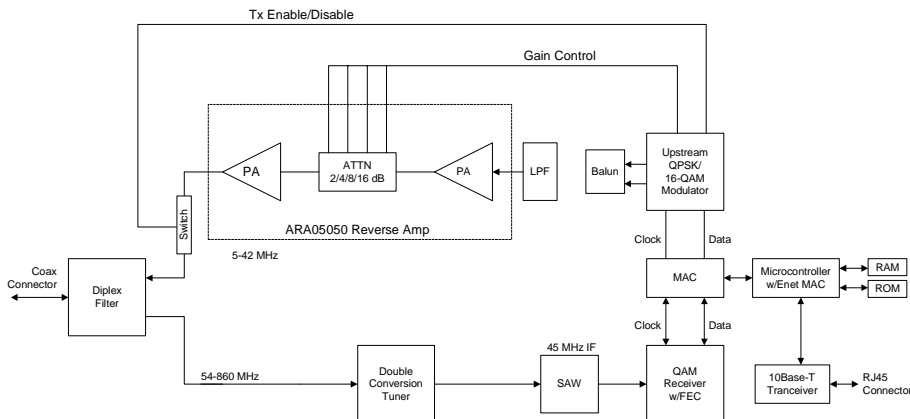


Figure 1. Cable Modem or Interactive Set-Top Box Block Diagram

**See ANADIGICS ACU50751 and ACD0900*

ELECTRICAL CHARACTERISTICS (TYPICAL) (VDD=5 VDC, TC=25 °C)

Parameter	Min	Typ	Max	Unit	Comments
Gain ¹	30	32	33	dB	At 0dB attenuation setting
Gain Flatness ¹	-	0.75	1.5	dB	5 to 100 MHz
Attenuation Steps ¹					
2 dB	1.6	1.85	2.2	dB	5 to 42 MHz ³
4 dB	3.8	4.0	4.2		
8 dB	8.0	8.3	8.5		
16 dB	16.0	16.6	17.0		
2 nd Harmonic Distortion Level ²					
5 MHz	-	-60	-55	dBc	
25 MHz	-	-63	-55		
3 rd Harmonic Distortion Level ²					
5 MHz	-	-63	-60	dBc	
25 MHz	-	-63	-60		
3 rd Order Output Intercept Point	78	-	-	dBmV	
1dB Gain Compression Point	-	70	-	dBmV	
Noise Figure	-	1.7	2.5	dB	
Output Noise Power					
Active/No Signal/Min Attn. Setting	-	-	-24.6	dBmV	Any 3200 KHz bandwidth from 5 to 42 MHz
Active/No Signal/Max Attn. Setting	-	-	-41.6		
On/Off Isolation					
Shut Off Stage 2	-	30	-	dB	Difference in output signal level between active and standby
Shut Off Stages 1 & 2	-	53.5	-		
Input Impedance ¹	-	75	-	ohm	
Input Return Loss ¹	-	-20	-15	dB	
Output Impedance ¹	-	75	-	ohm	
Output Return Loss ¹	-	-20	-15	dB	
V _{DD1} , V _{DD2}	-	5	7	V	
V _{DD} Digital	-	5	-	V	
V Shutdown	-2	-	-1.5	V	
I _{DD1}	-	75	95	mA	
I _{DD2}	-	100	130	mA	
I _{DD} Digital	-	8	-	mA	
Power Consumption	-	1	1.2	W	
Attenuator Control Impedance	-	5 K	-	ohm	
Attenuator Control Logic ⁴					
VIL	0	-	0.5	Volts	
VIH	2.8	-	6.5		

Notes:

- As measured in ANADIGICS test fixture
- At +58 dBmV output level into 75 ohm load
- For higher frequencies see figures 3 & 4.
- With 470 ohm chip resistor from pin 2 to gnd (see test circuit).

ABSOLUTE MAXIMUM RATINGS

Parameter	Absolute Maximum	Unit
V_{DD} (Pins 4,12, 18)	9	VDC
V_{RFIN} (Pins 10, 24)	0 to -3	VDC
ATT_{IN} (Pin 3) ATT_{OUT} (Pin 26)	5	VDC
V_{ISET} (Pins 11, 25)	2	VDC
RF Input Voltage (Pins 10, 24)*	+60	dBmV
Storage Temperature	-55 to +200	°C
Soldering Temperature	260	°C
Soldering Time	5	Sec
Operating Case Temperature	-40 to +85	°C

* Blocking capacitors required

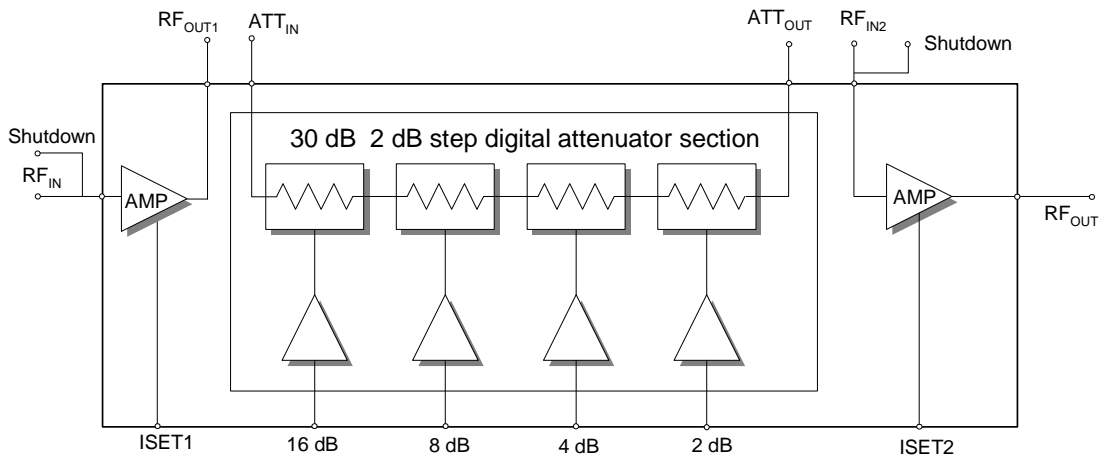


Figure 2

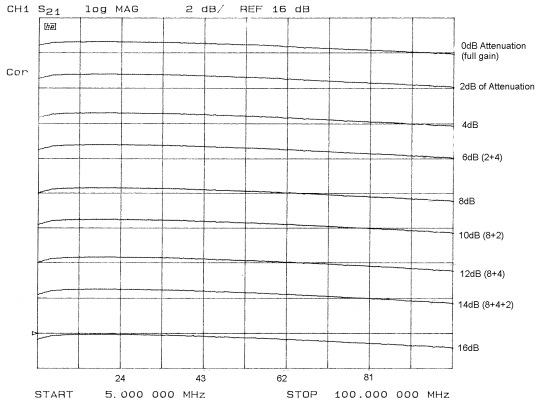


Figure 3

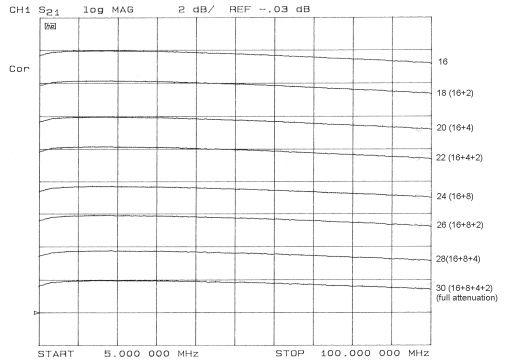


Figure 4

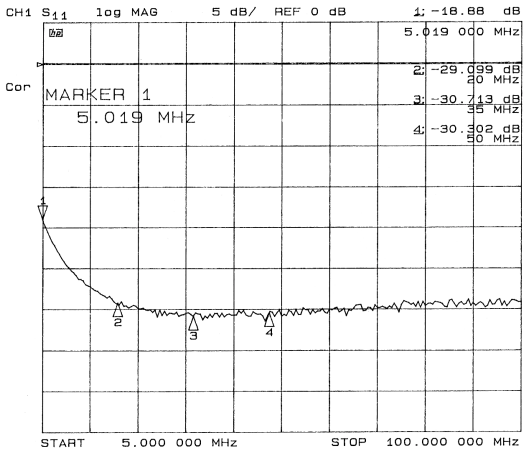


Figure 5

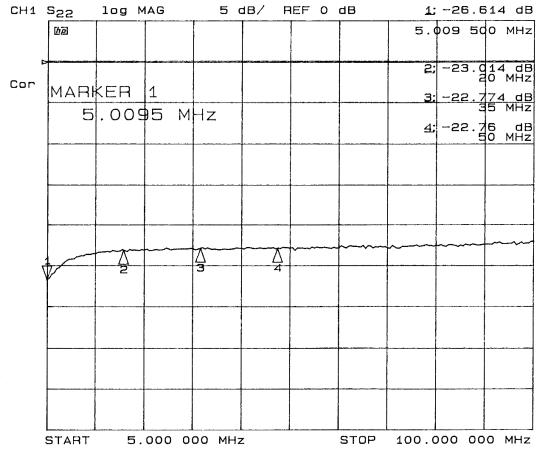


Figure 6

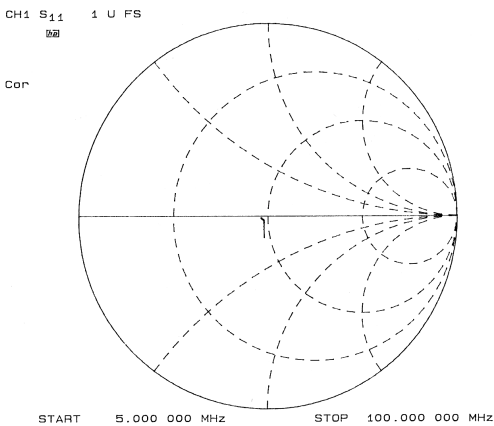


Figure 7

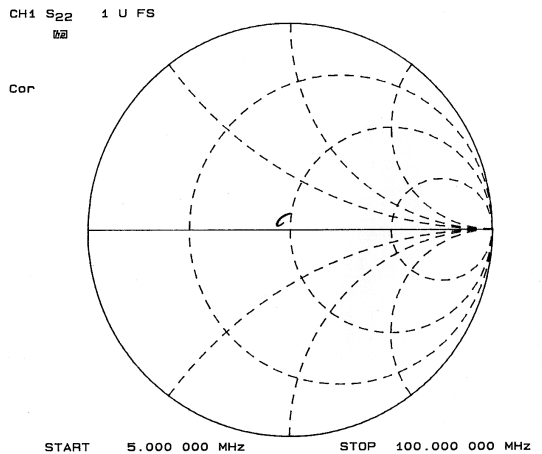


Figure 8

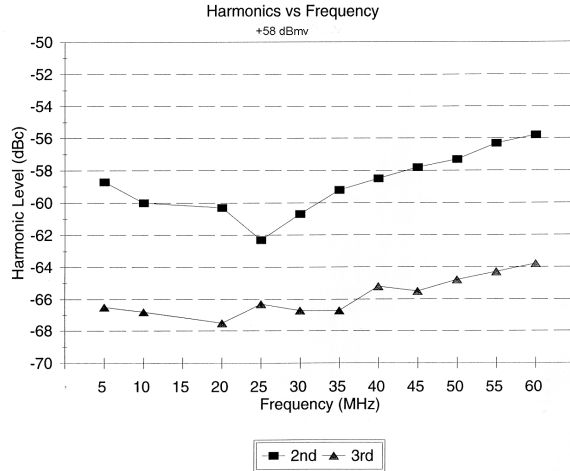


Figure 9

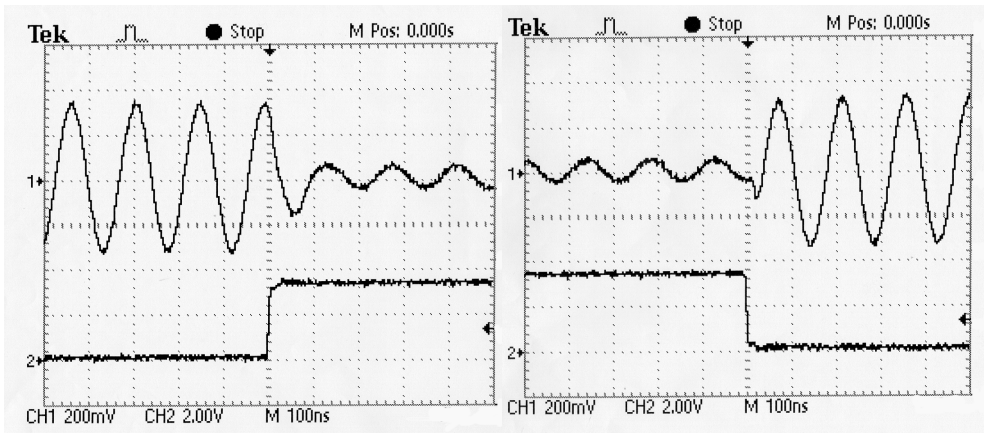


Figure 10. Attenuator Switching Speed 16 dB Step

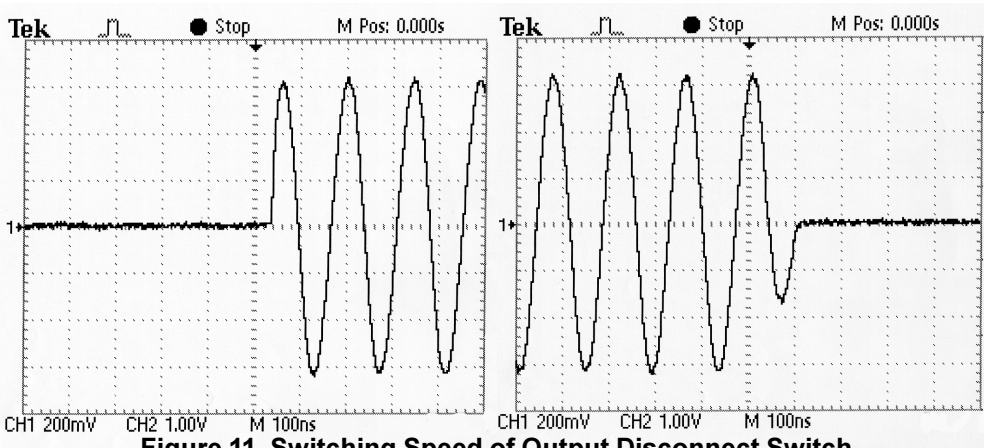
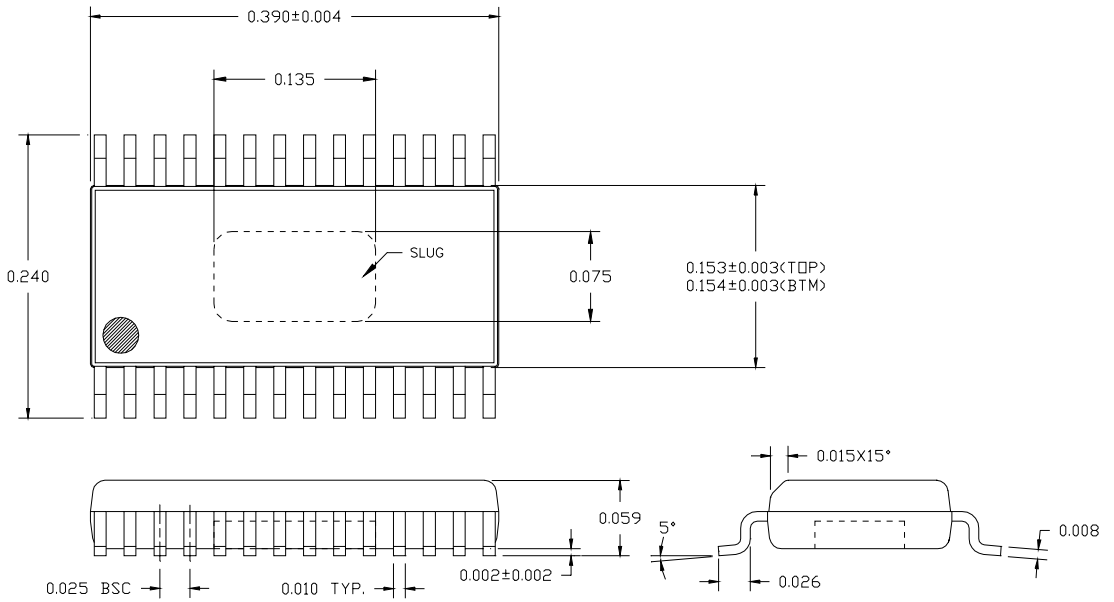


Figure 11. Switching Speed of Output Disconnect Switch

PIN DESCRIPTION

PIN	FUNCTION	DESCRIPTION
1	NC	No Connection
2	Bypass	Internal bypass. This pin must be externally ac decoupled (0.1uf cap)
3	ATT _{IN}	Attenuator Input
4	RF _{OUT1} +V _{DD1}	RF Output and +5v Supply for 1st Amplifier Stage
5	V _{REF1}	Reference voltage for 1 st Amplifier
6,7,8,9	AC_GND	AC Ground. These pins must be externally ac decoupled (1uF and 0.01uF cap)
10	RF _{IN}	RF Input to 1 st Amplifier Stage
11	I _{SET1}	Resistor set current for 1 st Amplifier
12	5V digital	5 volts digital supply voltage
13	16 dB	16 dB Attenuator Control Parallel data input
14	8 dB	8 dB Attenuator Control Parallel data input
15	4 dB	4 dB Attenuator Control Parallel data input
16	2 dB	2 dB Attenuator Control Parallel data input
17	Dig_GND	Digital Ground
18	RF _{OUT} +V _{DD2}	RF Output and +V _{DD2} V Supply for 2 nd Amplifier Stage
19	V _{REF2}	Reference voltage for 2 nd Amplifier
20,21,22,23	AC_GND	AC Ground. These pins must be externally ac decoupled (1uF and 0.01uF cap)
24	RF _{IN2}	RF Input to 2 nd Amplifier Stage and Shutdown pin for 2 nd Amplifier
25	I _{SET2}	Resistor set current for 2 nd Amplifier (ground for max performance)
26	ATT _{OUT}	Attenuator Output
27	NC	No Connection
28	NC	No Connection

PACKAGE OUTLINE



Application Note

LAYOUT CONSIDERATIONS

There are two issues that must be taken into consideration when doing the PCB layout. The first is thermal management, and the second is RF related.

THERMAL LAYOUT CONSIDERATIONS

The ARA05050 will typically dissipate 0.9W, and as high as 1.2W. Since the interior of most set-top boxes, and cable modems as well typically are at +70°C, consideration must be given to providing an adequate heat sink for the die to obtain the maximum MTF possible. To this end the ARA05050 incorporates a heat slug in the bottom of the package. This provides a low thermal resistance path from the die to the outside of the package. The typical thermal rise from the heat slug to the junction is 35°C/W. However, this is only half of the equation. Adequate heat sinking must be applied to the heat slug for thermal dissipation. Providing a metalized pad with via holes under the package will do this (see Figure 14). The via holes should connect to the ground plane of the PCB. The part is then soldered to this pad during assembly.

EXTERNAL CIRCUITRY

Output Disconnect Switch:

For MCNS/DOCSIS applications an external switch to disconnect the output of the ARA05050 from the diplexer is required. This switch is needed because of the output noise requirement between bursts, and because of the requirement that any shutdown transient not exceed 7mV. The switch shown in Figure 12 meets these conditions because it does not switch any current, or voltage, on the output line. The series FET provides 35 dB of isolation, while the shunt FET insures that the diplexer remains terminated into a 75 ohm impedance. Since the switch does not draw any current, it may be driven directly from a low power CMOS logic inverter; however the control voltages must

be +5V. When the switch is in the open state, it is good general practice to set the programmable attenuator to its maximum attenuation setting. This will increase the isolation between the cm output and upstream modulator, and provide the first stage amplifier with a 75 ohm termination.

Shutdown of the ARA05050:

In some applications it may be desirable to shut the ARA05050 down for power saving. This can be done by applying a negative voltage to pin 10 to shut down the input stage, and to pin 24 to shut down output stage (see Figure 13). Shutting down both amplifier stages will reduce the current drawn from the +5V supply to typically 10 mA. If only one stage is shutdown, it is recommended that the programmable attenuator be set to a minimum of 16 dB to provide a good impedance match to the remaining stage.

RF LAYOUT CONSIDERATIONS

The ARA05050 is a power amplifier designed for driving a 75ohm load. Since this part connects the transmitter to the cable system, typically via a diplexer, it is an analog device operating at RF frequencies. This means that the layout of the PCB will have an effect on the system performance. The first consideration in RF layout are the connections to ground. These must be low impedance, and as short as possible. The best way to do this is to use as large a via hole as possible, located as close as possible to connect to the ground plane. Specifically, care should be given to the layout of the following connections (the traces leading from the following pins to their respective components should be as low as impedance as is practical.):

Pins 5 & 19: the 20 ohm chip resistor should be as close as possible to the pins and the 1 uF capacitor should be kept close to the 20 ohm resistor.

Pins 6–9 & 20–23: the capacitors should be kept close to the pins.

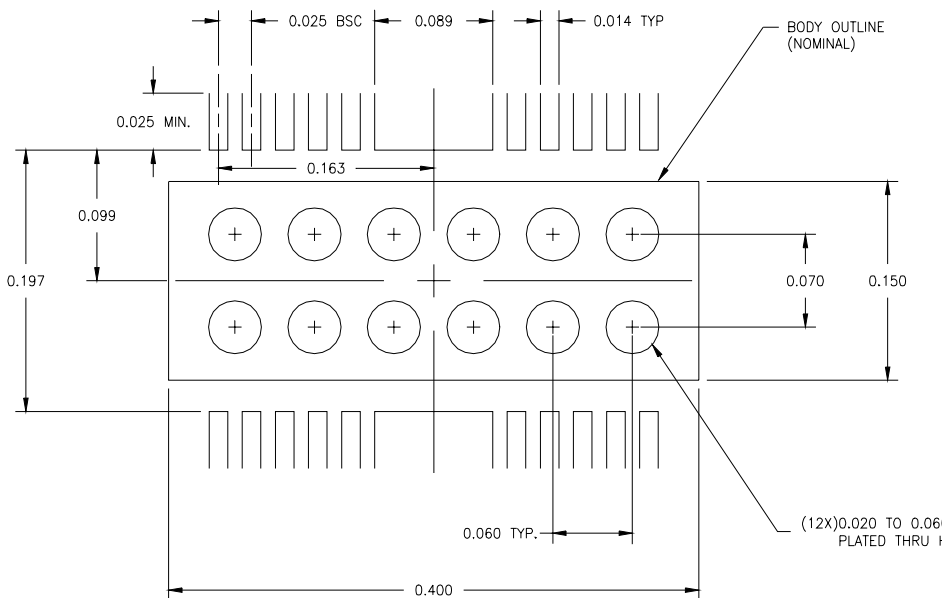
Pin 11: the 1uF bypass capacitor should be kept close to the pin.

Pin 12: the bypass capacitor at this node should be reasonably close of the pin.

The path leading between **pins 4–10**, and the path between **pins 18–24**, should be kept as short as possible.

The bypass capacitors on the Vdd lines should be located as close as possible to the 10 uH inductors.

The traces leading to the RF input, and leading away from the RF output, should be 75 ohms. Care should be taken to keep other traces, which may have clock signals on them, as far away as is practical to prevent unwanted coupling onto the signal line.



HOLE PATTERN UNDER ARA05050

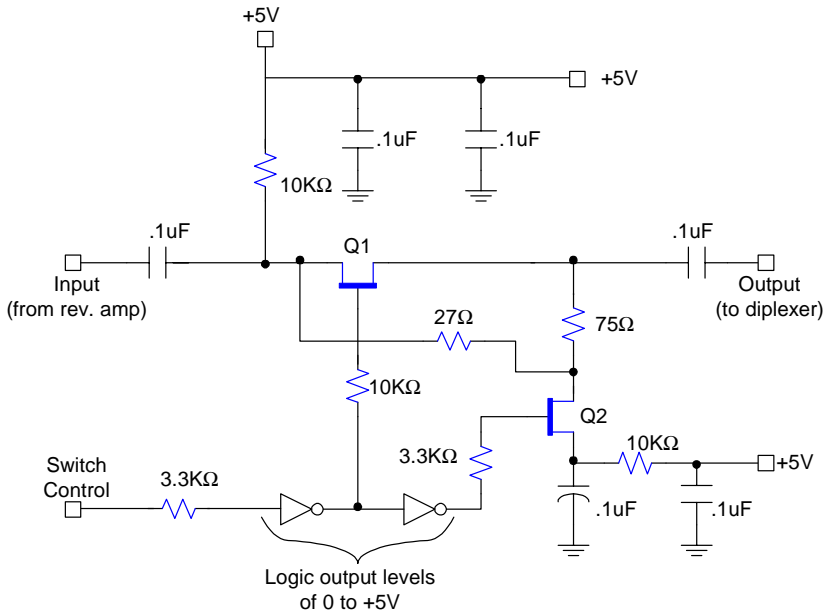


Figure 12. Output Disconnect Switch

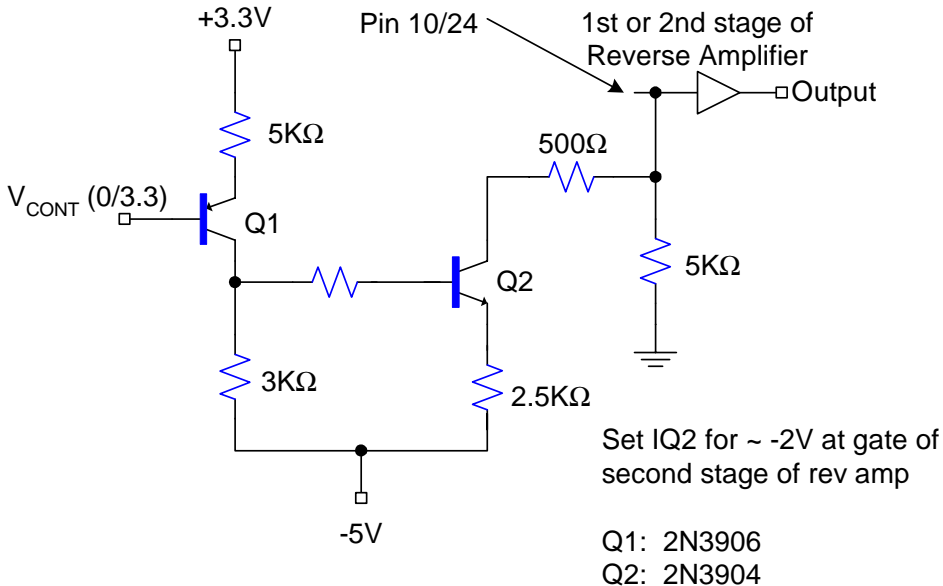


Figure 13

ANADIGICS, Inc.
35 Technology Drive
Warren, New Jersey 07059
Tel: (908) 668-5000 / Fax: (908) 668-5132
Email: Mkg@anadigics.com
www.anadigics.com

IMPORTANT NOTICE

ANADIGICS, Inc. reserves the right to make changes to its products or discontinue any product at any time without notice. The Advanced Product data sheets and product specifications contained in this data sheet are subject to change prior to a products formal introduction. The information in this data sheet has been carefully checked and is assumed to be reliable. However, ANADIGICS assumes no responsibility for inaccuracies. ANADIGICS strongly urges customers to verify that the information they are using is current before placing orders.

WARNING

ANADIGICS products are not intended for use in life support appliances, device, or systems. Use of an ANADIGICS product in any such application without written consent is prohibited.