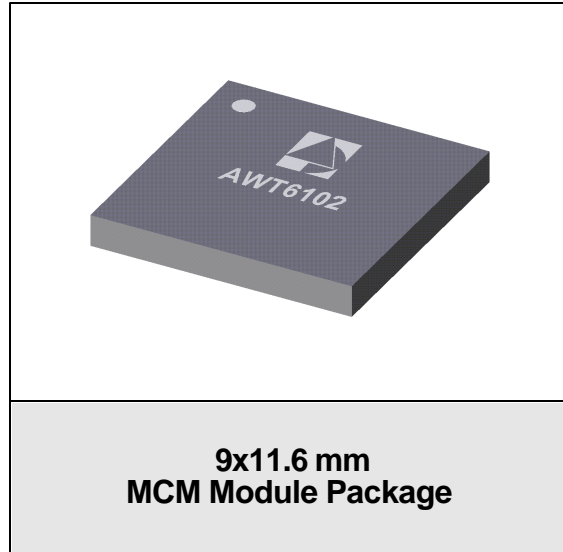




AWT6102M2
 EGSM/DCS/PCS Triple Band
 Power Amplifier Module
 Advanced Product Information Rev. 2

FEATURES
<ul style="list-style-type: none"> • InGaP HBT Technology • High Efficiency 55% GSM • High Efficiency 50% DCS • High Efficiency 45% PCS • Low Leakage Current (<10μA) • SMT Module Package • Small Foot Print (9.2mm X 11.6mm) • Low Profile (1.55 mm) • 50 Ω Input and Output Matching • Minimum Number of External Components
APPLICATIONS
<ul style="list-style-type: none"> • GSM/DCS Dual Band Handsets • GSM/PCS Dual Band Handsets • GSM/DCS/PCS Triple Band Handsets



Description

The AWT6102 is a 3.5V power amplifier module for use in dual Mode GSM/DCS/PCS wireless handsets and communication systems.

Absolute Minimum and Maximum Ratings

SIGNAL	MIN	MAX	UNITS
Supply Voltage (V _{cc})		+7	V
Input Power (RF _{IN})		+15	dBm
Control Voltage (V _{APC})		+ 4.3V	V
Storage Temperature (T _{STG})	-55	150	°C
Operating Temperature (T _C)	-25	85	°C

AWT6102M2

Electrical Specifications EGSM:

(Unless otherwise specified: $V_{CC} = 3.2V$, $Z_{IN} = Z_{OUT} = 50\Omega$ System, $T_C = 25\text{ }^\circ\text{C}$, pulsed operation with 577 μsec pulse width and 12.5% duty cycle)

PARAMETER	SYMBOL	MIN	TYP	MAX	UNITS
Frequency	f_o	880	-	915	MHz
Supply Voltage	V_{CC}	2.9	3.2	4.5	V
Control Voltage Range	V_{APC}	0.2	2.0	2.7	V
Power Control Current	I_{APC}			1	mA
Input Power	P_{IN}	8	10	12	dBm
Output Power	P_{OUT}		34.5	-	dBm
Power Added Efficiency	PAE	50	55	-	%
Degraded Output Power $V_{CC} = 2.9V$, $V_{APC} = 2.4V$, $P_{IN} = 8\text{ dBm}$, $T_C = 85\text{ }^\circ\text{C}$		32			dBm
Isolation $V_{APC} = 0.2V$, $P_{IN} = 10\text{ dBm}$		-25	-35		dBm
Harmonics ⁽¹⁾ 2 nd 3 rd 3fo to 12.750 GHz	- - -	- - -	-12 -15	-7 -7 -7	dBm dBm dBm
Stability: Load 8:1 VSWR All phase angles	-		-	-70	dBc
Ruggedness: $P_{IN} = 12\text{ dBm}$, $V_{SUP} = 4.5V$, $V_{APC} = 0.2 - 2.8V$				10:1 VSWR All Phases	
Leakage Current $V_{APC} = 0V$, $V_{CC} = 4.5V$ No input power		-	10	-	μA
Noise Power 925 to 935 MHz 935 to 960 MHz				-72 -84	dBm/100 KHz dBm/100 KHz
Switching Time V_{APC} on to 90% detected P_{OUT}				2	μsec
Input VSWR		-	-	2:1	
Output VSWR				2:1	

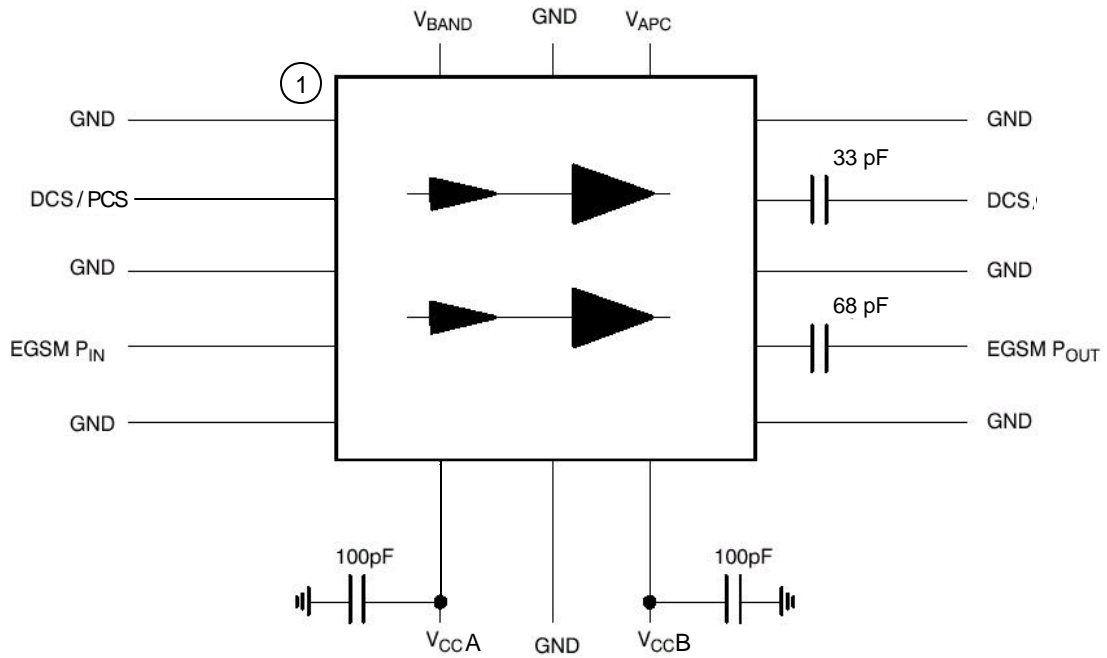
Electrical Specifications DCS/PCS:

(Unless otherwise specified: $V_{CC} = 3.2V$, $Z_{IN} = Z_{OUT} = 50\Omega$ System, $T_C = 25\text{ }^\circ\text{C}$, pulsed operation with 577 μsec pulse width and 12.5% duty cycle)

PARAMETER	SYMBOL	MIN	TYP	MAX	UNITS
Frequency DCS	fo	1710	-	1785	MHz
Frequency PCS	fo	1850	-	1910	MHz
Supply Voltage	V_{CC}	2.9	3.2	4.5	V
Control Voltage Range	V_{APC}	0.2	2.0	2.7	V
Power Control Current	I_{APC}			1	mA
Input Power	P_{IN}	6	8	10	dBm
Output Power DCS	P_{OUT}		31.5	-	dBm
Output Power PCS	P_{OUT}		TBD	-	dBm
Power Added Efficiency (DCS)	PAE	45	50	-	%
Power Added Efficiency (PCS)	PAE	TBD	TBD	-	%
Degraded Output Power (DCS/PCS) $V_{CC} = 2.9V$, $V_{APC} = 2.4V$, $P_{IN} = 6\text{dBm}$, $T_C = 85\text{ }^\circ\text{C}$		29.5			dBm
Isolation $V_{APC} = 0.2V$, $P_{IN} = 10\text{ dBm}$		-30	-35		dBm
Harmonics ⁽¹⁾ 2 nd 3 rd 3fo to 12.750 GHz	- - -	- - -	-12 -15	-7 -7 -7	dBm dBm dBm
Stability: Load 8:1 VSWR All phase angles	-		-	-70	dBc
Ruggedness: $P_{IN} = 10\text{ dBm}$, $V_{SUP} = 4.5V$, $V_{APC} = 0.2 - 2.8V$				10:1 VSWR All Phases	
Leakage Current $V_{APC} = 0V$, $V_{CC} = 4.5V$ No input power		-	10	-	μA
Noise Power 20 MHz offset				-76	dBm/100 KHz
Switching Time V_{APC} on to 90% detected P_{OUT}				2	μsec
Input VSWR		-	-	2:1	
Output VSWR		-	-	2:1	

AWT6102M2

Schematic



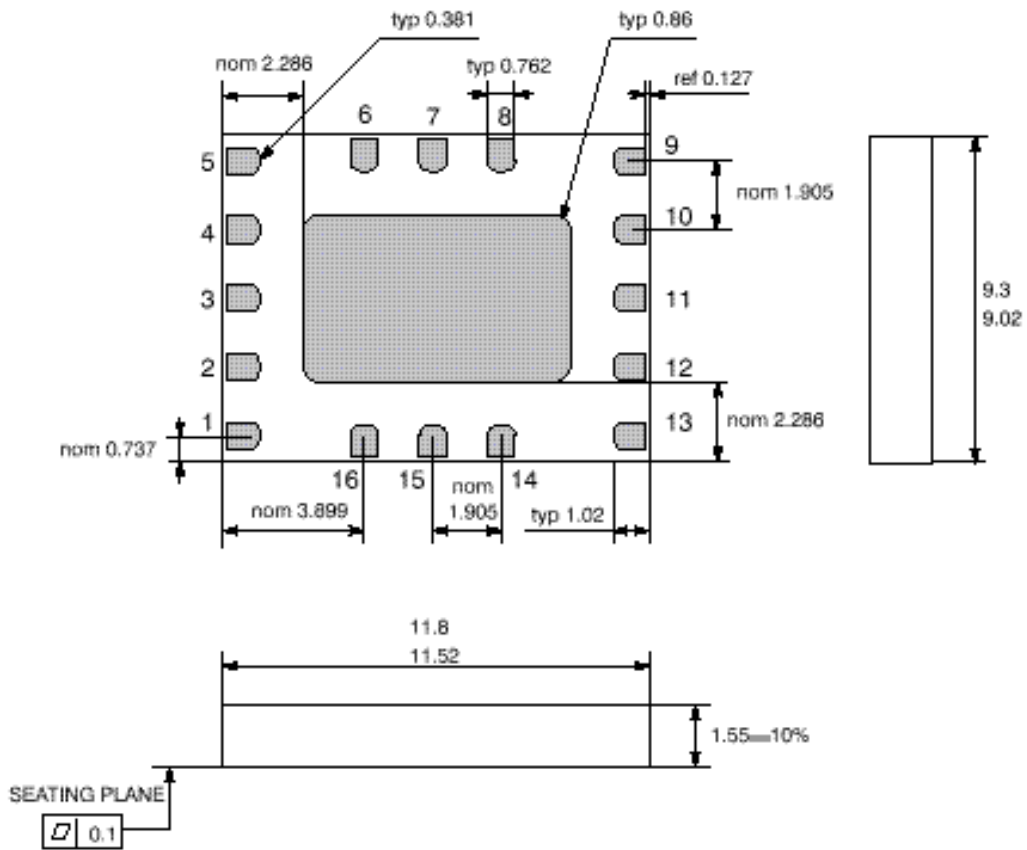
Pin	Name	Description	Pin	Name	Description
1	GND	Ground	9	GND	Ground
2	DCS/PCS	DCS/PCS RF Input Signal	10	EGSM P _{OUT}	GSM RF output
3	GND	Ground	11	GND	Ground
4	EGSM P _{IN}	GSM RF Input Signal	12	DCS/PCS	DCS/PCS RF output
5	GND	Ground	13	GND	Ground
6	V _{CC} A	Supply Voltage	14	V _{APC}	Power Control
7	GND	Ground	15	GND	Ground
8	V _{CC} B	Supply Voltage	16	V _{BAND} ⁽¹⁾	Band Select

Notes:

1. V_{band}: EGSM 0.0 to 0.5V
DCS/PCS: 2.0 to 2.8V

Package Outline Drawing
Bottom View

Dimensions in mm.



AWT6102M2

NOTES

NOTES



ANADIGICS, Inc.
35 Technology Drive
Warren, New Jersey 07059
Tel: (908) 668-5000
Fax: (908) 668-5132

<http://www.anadigics.com>
Mktg@anadigics.com

IMPORTANT NOTICE

ANADIGICS, Inc. reserves the right to make changes to its products or discontinue any product at any time without notice. The Advanced Product data sheets and product specifications contained in this data sheet are subject to change prior to a products formal introduction. The information in this data sheet has been carefully checked and is assumed to be reliable. However, ANADIGICS assumes no responsibility for inaccuracies. ANADIGICS strongly urges customers to verify that the information they are using is current before placing orders.

WARNING

ANADIGICS products are not intended for use in life support appliances, devices, or systems. Use of an ANADIGICS product in any such application without written consent is prohibited.