



ASM12712C/17012C [
DATA SHEET

6F-3 NO.7, LANE 75, TA-AN ROAD, SEC.1, TAIPEI, TAIWAN, R.O.C.
台北市大安路一段75巷7號6F-3 TEL:886-2-27818277 FAX:886-2-27815779

<http://www.aplusinc.com.tw>

ASM12712C/17012C

– VERY LOW-COST VOICE SYNTHESIZER WITH 4-BIT □

1.0 General Description

The ASM12712C/17012C is very low cost voice synthesizer with 4-bit microprocessor. It has various features including 4-bit ALU, ROM, RAM, I/O ports, timers, clock generator, watchdog timer(WDT), voicesynthesizer, etc. It consists of 22 instructions in the device. With CMOS technology and halt function can minimize power dissipation. Its architecture is similar to RISC, with two stages of instruction pipeline. It allows all instructions to be executed in a single cycle, except for program branches and data table read instructions (which need two instruction cycles).

1.1 Feature

- ◆ Single power supply can operate from 2.4V through 5V
- ◆ Internal Program ROM: 4K x 10-bit
- ◆ 1 sets of 19-bit DPR can access up to 512K x 10 bits data memory space
- ◆ Data Registers:
 - 96 x 4-bit data RAM (00-1Fh plus 40h-7Fh)
 - Unbanked special function registers (SFR) range: 20h-3Fh
- ◆ I/O Ports:
 - PRA: 4-bit I/O Port A (2Bh)
 - PRB: 4-bit Output Port B (2Dh)
 - PRC: 4-bit Input Port C (2Fh)
- ◆ On-chip clock generator: Resistive Clock Drive(**RM**)
- ◆ Timer: 1
 - Timer0: a 9-bit auto-reload timer/counter
- ◆ Stack: 2-level subroutine nesting
- ◆ HALT and Release from HALT function to reduce power consumption
- ◆ Watch Dog Timer (**WDT**)
- ◆ Instruction: 1-cycle instruction except for table read and program branches which are 2-cycles
- ◆ Number of instruction: 22

FIGURE 1.1 : Block Diagram of ASM12712C/17012C

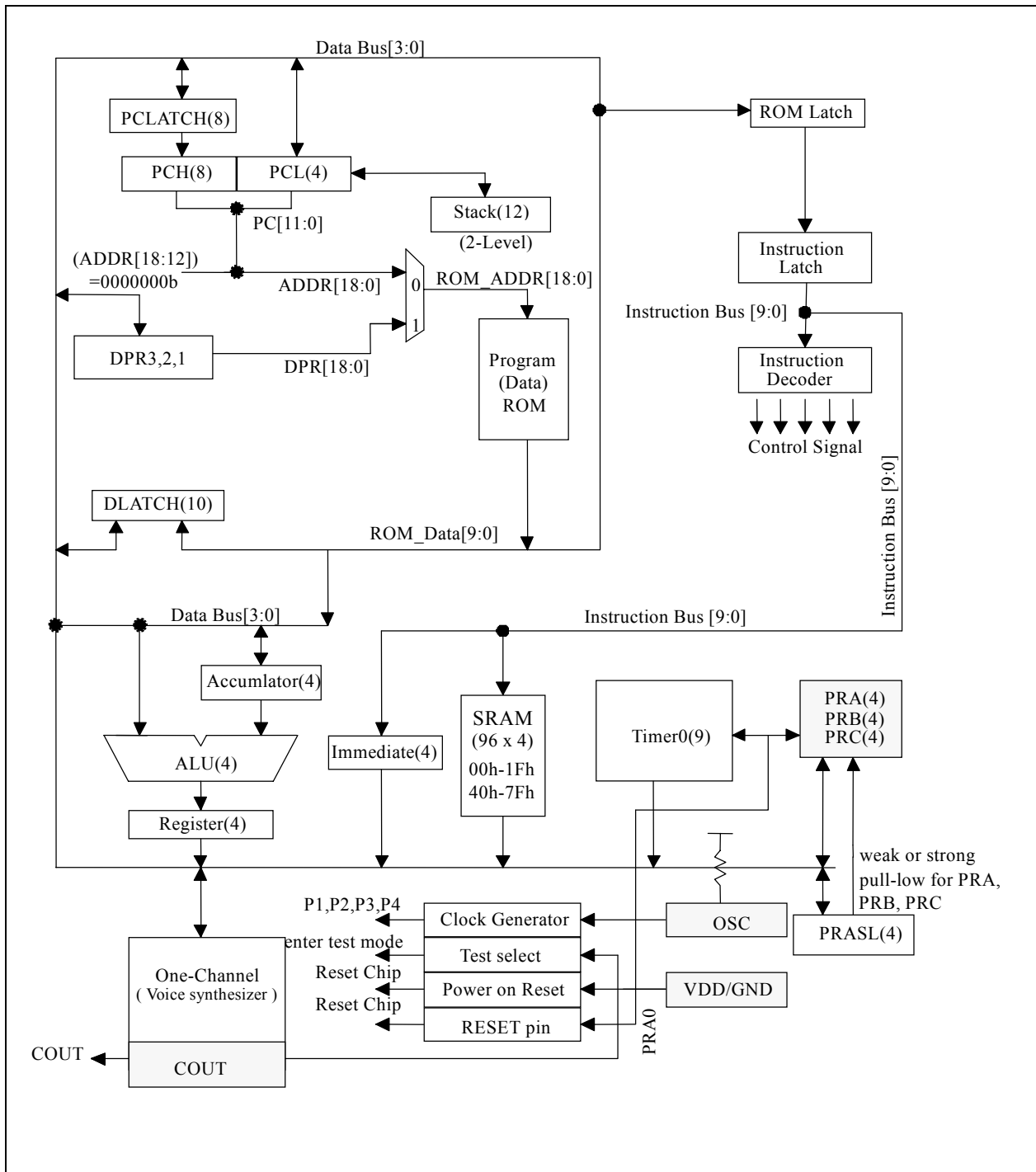
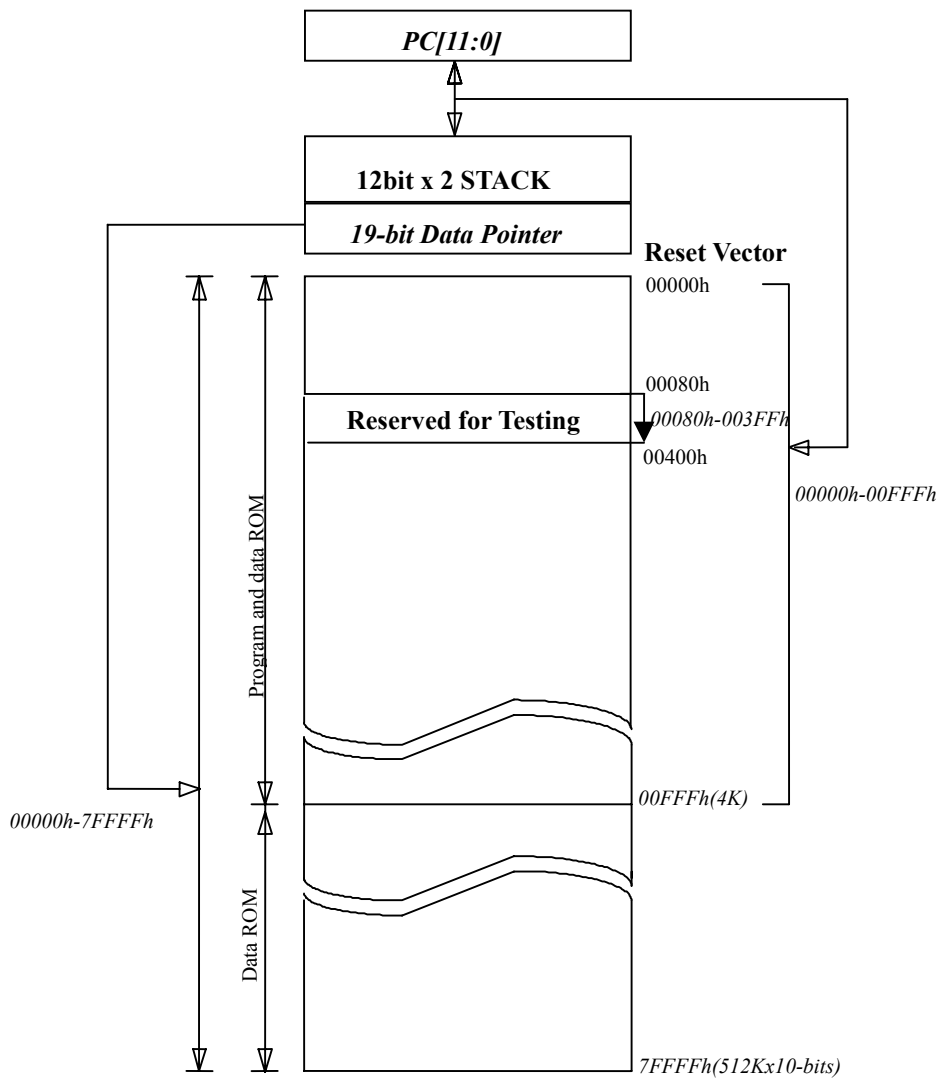


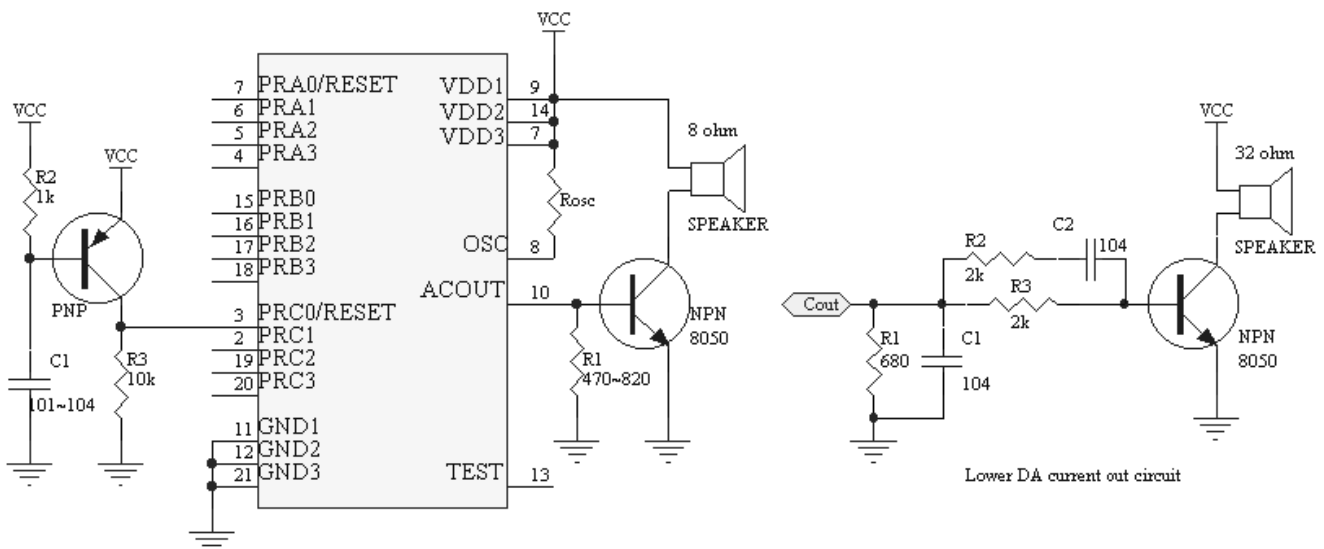
FIGURE 1.2 : External ROM Map of ASM12712C/17012C



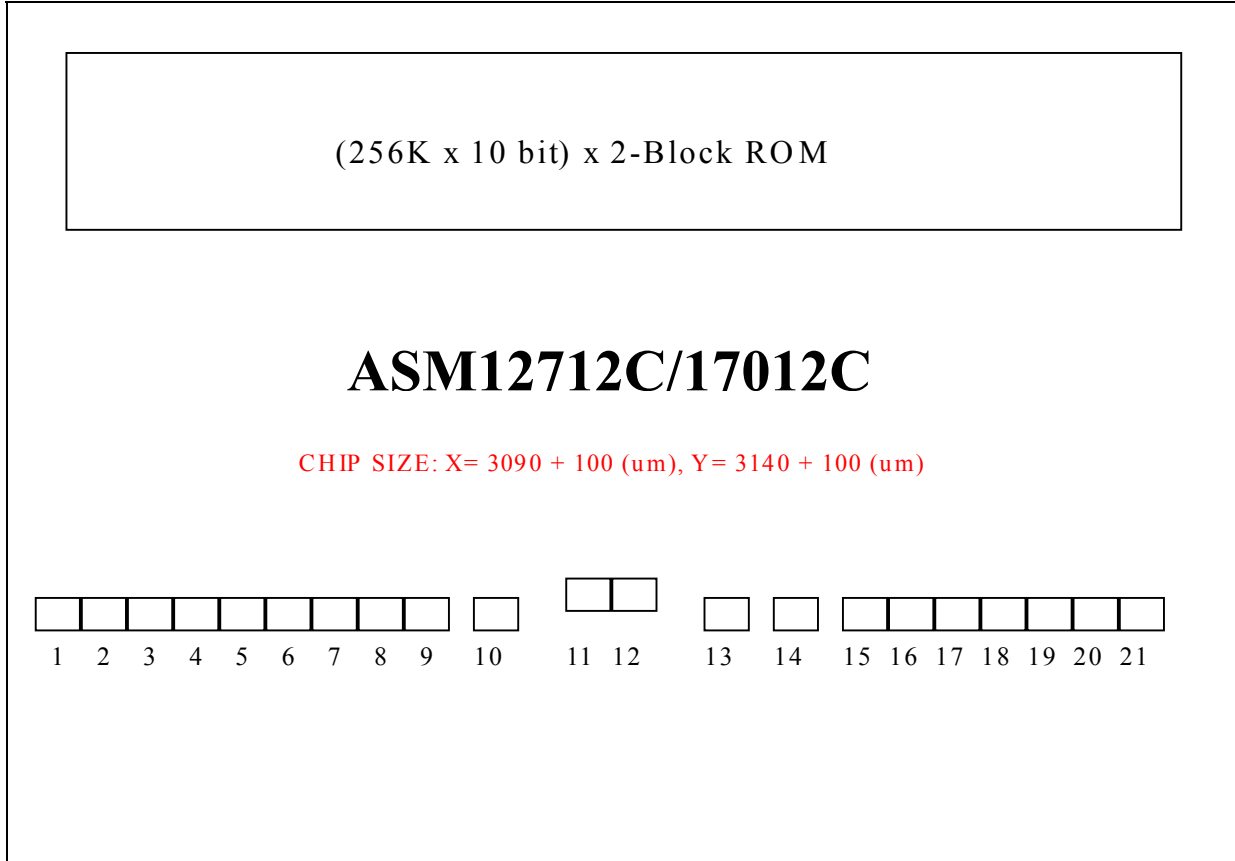
1.2 Pin-Out

ASM12712C/17012C Pin-Out			
VDD3	I	-	Third Power supply during operation
PRC1	I	STI Std./O.D.	Input port with programmable strong pull-low or weak pull-low or fix-input-floating capability
PRC0/RESET	I	STI Std./O.D.	Input port with programmable strong pull-low or weak pull-low or fix-input-floating capability <i>Mask option selected as an external RESET pin with weak pull-low capability</i>
PRA3-1	I/O	STI Std./O.D.	I/O port with programmable strong pull-low or weak pull-low or fix-input-floating capability Output type with standard or Open-Drain output
PRA0/RESET	I/O	STI Std./O.D.	I/O port with programmable strong pull-low or weak pull-low or fix-input-floating capability Output type with standard or Open-Drain output <i>Mask option selected as an external RESET pin with weak pull-low capability</i>
OSC	I	-	RM mode Oscillator input
VDD1	I	-	First Power supply during operation
COUT	O	-	Current Output of Audio
GND1	I	-	First Circuit Ground Potential
GND2	I	-	Second Circuit Ground Potential
TEST	O	-	Enter Test Mode. (TEST = High)
VDD2	I	-	Second Power supply during operation
PRB0-3	O	Std./O.D.	Output type with standard or Open-Drain output
PRC2-3	I	STI Std./O.D.	Input port with programmable strong pull-low or weak pull-low or fix-input-floating capability
GND3	I	-	Third Circuit Ground Potential

1.3 Application circuit



1.4 Bonding Diagram



ASM12712C/17012C Pad Location				Chip Size: X= 3090 + 100 (um), Y= 3140 + 100 (um)			
PAD#	PAD Name	X	Y	PAD #	PAD Name	X	Y
1	VDD3	-1445.96	-1456.08	12	GND2	118.72	-1450.56
2	RC_PAD[1]	-1325.24	-1456.08	13	TEST_PAD	319.68	-1456.08
3	RC_PAD[0]	-1202.92	-1456.08	14	VDD2	575.32	-1456.08
4	RA_PAD[3]	-1080.6	-1456.08	15	RB[0]	714.48	-1456.08
5	RA_PAD[2]	-958.28	-1456.08	16	RB[1]	836.8	-1456.08
6	RA_PAD[1]	-835.96	-1456.08	17	RB[2]	959.12	-1456.08
7	RA_PAD[0]/RESET	-713.64	-1456.08	18	RB[3]	1081.44	-1456.08
8	AOSC_PAD	-591.32	-1456.08	19	RC_PAD[2]	1203.76	-1456.08
9	VDD1	-414.36	-1456.08	20	RC_PAD[3]	1326.08	-1456.08
10	ACOUT	-162.24	-1456.08	21	GND3	1449.36	-1456.08
11	GND1	38.72	-1450.56				

1.5 DC Characteristics for ASM12712C/17012C

SYMBOL	PARAMETER		VDD	MIN.	TYP.	MAX.	UNIT	CONDITION
VDD	OPERATING VOLTAGE			2.4	3	5	V	depending on Freq.
Isb	SUPPLY CURRENT	STANDBY	3			1	uA	4MHz, RM in HALT Mode
			5			1		
Iop	T	OPERATING	3		2		mA	4MHz, RM IO Floating
			5		7			
Iih	INPUT CURRENT /Internal pull low		3		3		uA	4MHz, RM in HALT Mode (IO Ports with weak pull-high pull-low)
			5		9			
			5		-5.2			
Ioh	OUTPUT HIGH CURRENT		3		-3		mA	4MHz, RM (IO ports)
			5		-8			
Iol	OUTPUT LOW CURRENT		3		7		mA	4MHz, RM (IO ports)
			5		20			
dF/F	FREQUENCY STABILITY			-10		10	%	$\frac{F_{osc}(3v)-F_{osc}(2.4v)}{F_{osc}(3v)}$
dF/F	Fosc VARIATION			-20		20	%	VDD=3V, Rosc=740k, 4MHz

FIGURE 1.3 : Frequency Range for Rosc in RM mode

Resistor(k ohm)	1200	1000	820	470
3v Freq.(MHz)	2.47	3.04	3.31	6.25

