

**KEY FEATURES**

- Switching Power Modules for PCB Mounting
- Fully Encapsulated Plastic Case
- Universal Input Range 90-260VAC, 47-440 Hz
- Regulated Output
- Low Ripple and Noise
- High Efficiency
- CE, cUL, TUV Approvals
- 2-Year Product Warranty


**ELECTRICAL SPECIFICATIONS**

Model No. (Single Output)	ANC-5S	ANC-12S	ANC-15S	ANC-24S	
Max output wattage (W)	15W	15W	15W	15W	
Input	Voltage				
	90-260 VAC or 120-370 VDC				
	Frequency (Hz)				
	47-440 Hz				
	Current (Full load)				
	280 mA max. (115 VAC) / 170 mA max. (230 VAC)				
Output	Inrush current (<2ms)				
	10 A max. (115 VAC) / 20 A max. (230 VAC)				
	Leakage Current				
	0.75 mA max.				
	External fuse (recommend)				
	1.5 A slow blow type				
Output	Voltage (V.DC.)	5V	12V	15V	24V
	Voltage accuracy	±2%	±2%	±2%	±2%
	Current (mA) max	3000	1250	1000	625
	Line regulation (typ.)	±0.5%	±0.5%	±0.5%	±0.5%
	Load regulation (5-100%) (typ.)	±0.5%	±0.5%	±0.5%	±0.5%
	Minimum load	0%	0%	0%	0%
	Maximum capacitive load	470-23,000µF depending on model			
	Ripple & Noise	<0.5% Vout +50mV max (Vp-p)			
	Efficiency	75%	80%	80%	84%
	Hold-up time	15 ms min.			
	Switching frequency	100 kHz	100 kHz	100 kHz	100 kHz
Protection	Over current protection	Hiccup technique, auto-recovery			
	Over voltage protection	Zener diode clamp			
	Short circuit protection	Hiccup mode, indefinite (automatic recovery)			
Isolation	Input-Output (V.AC)	3000V	3000V	3000V	3000V
	Input-FG (V.AC)	1500V	1500V	1500V	1500V
	Output-FG (V.AC)	500V	500V	500V	500V
Environment	Operating temperature	-25°C...+71°C			
	Storage temperature	-40°C...+85°C			
	Temperature coefficient	0.02%/°C	0.02%/°C	0.02%/°C	0.02%/°C
	Humidity	95% RH			
	MTBF	>200,000 h @ 25°C (MIL-HDBK-217F)			
Physical	Dimension (L x W x H)	2.91 x 2.13 x 0.87 Inches (74.0 x 54.0 x 22.0 mm)			
	Case Material	Plastic resin + Fiberglass (flammability to UL 94V-0)			
	Weight	140 g			
	Cooling method	Free air convection			
Safety	Agency approvals	UL/cUL, CE, TUV			
EMC	EMI (Conducted & Radiated Emission)	EN 55022 class B			
	EMS (Noise Immunity)	EN 55024			

All specifications valid at nominal input voltage, full load and +25°C after warm-up time unless otherwise stated.

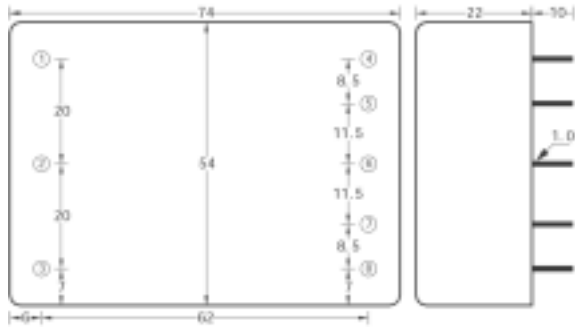
**ELECTRICAL SPECIFICATIONS**

Model No. ( Dual, Triple Output )	ANC-5D	ANC-12D	ANC-15D	ANC-5S12D	ANC-5S15D	
Max output wattage (W)	15W	15W	15W	15W	15W	
Input	Voltage					
	90-260 VAC or 120-370 VDC					
	Frequency (Hz)					
	47-440 Hz					
	Current (Full load)					
	280 mA max. (115 VAC) / 170 mA max. (230 VAC)					
Inrush current (<2ms)						
10 A max. (115 VAC) /20 A max. (230 VAC)						
Leakage Current						
0.75 mA max.						
External fuse (recommend)						
1.5 A slow blow type						
Output	Voltage (V.DC.)	±5V	±12V	±15V	5/±12	5/±15
	Voltage accuracy	±2%	±2%	±2%	±2%	±2%
	Current (mA) max	±1500	±650	±500	2000/±200	2000/±150
	Line regulation (typ.)	±0.5%	±0.5%	±0.5%	±1%/±5%	±1%/±5%
	Load regulation (5-100%) (typ.)	±3%	±3%	±3%	±2%/±5%	±2%/±5%
	Minimum load	0%	0%	0%	5V 10% (200 mA)	5V 10% (200 mA)
	Maximum capacitive load	470-23,000µF depending on model				
	Ripple & Noise	<0.5% Vout +50mV max (Vp-p)				
	Efficiency	75%	79%	79%	75%	75%
	Hold-up time	15 ms min.				
	Switching frequency	100 kHz	100 kHz	100 kHz	100 kHz	100 kHz
Protection	Overcurrent protection	Hiccup technique, auto-recovery				
	Overvoltage protection	Zener diode clamp				
	Short circuit protection	Hiccup mode, indefinite (automatic recovery)				
Isolation	Input-Output (V.AC)	3000V	3000V	3000V	3000V	3000V
	Input-FG (V.AC)	1500V	1500V	1500V	1500V	1500V
	Output-FG (V.AC)	500V	500V	500V	500V	500V
Environment	Operating temperature	-25°C...+71°C				
	Storage temperature	-40°C...+85°C				
	Temperature coefficient	0.02%/°C	0.02%/°C	0.02%/°C	0.02%/°C	0.02%/°C
	Humidity	95% RH				
	MTBF	>200,000 h @ 25°C (MIL-HDBK-217F)				
Physical	Dimension (L x W x H)	2.91 x 2.13 x 0.87 Inches (74.0 x 54.0 x 22.0 mm)				
	Case Material	Plastic resin + Fiberglass (flammability to UL 94V-0)				
	Weight	140 g				
	Cooling method	Free air convection				
Safety	Agency approvals	UL/cUL, CE, TUV				
EMC	EMI (Conducted Emission)	EN 55022 class B				
	EMS (Radiated Emission)	EN 55024				

All specifications valid at nominal input voltage, full load and +25°C after warm-up time unless otherwise stated.

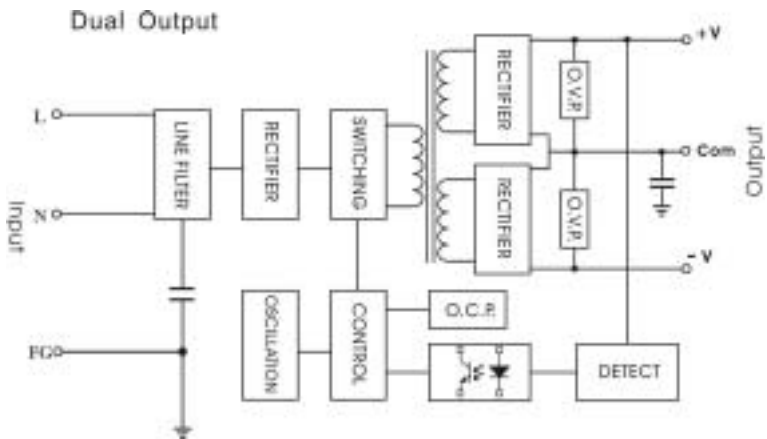
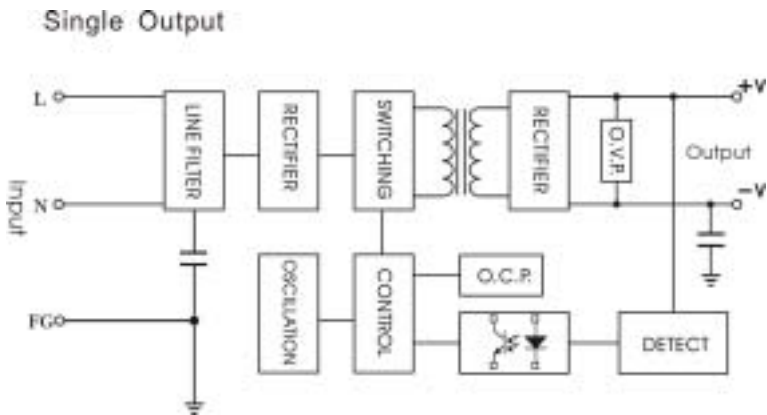
**ANC SERIES** **15 Watts**

**MECHANICAL DIMENSION (Top View)**



PIN#	SINGLE	Dual	Triple
1	FG	FG	FG
2	AC IN	AC IN	AC IN
3	AC IN	AC IN	AC IN
4	NO PIN	NO PIN	-DC OUT
5	-DC OUT	-DC OUT	COMMON
6	NO PIN	COMMON	+DC OUT
7	+DC OUT	+DC OUT	COMMON
8	NO PIN	NO PIN	+5V OUT

**BLOCK DIAGRAM**



**DERATING**

