

KEY FEATURES

- Power Modules for PCB Mounting
- Fully Encapsulated Plastic Case
- Regulated Output
- Low Ripple and Noise
- 2-Year Product Warranty


ELECTRICAL SPECIFICATIONS

Model No.	DF 5-5S	DF 5-12S	DF 5-15S	DF 5-24S	DF 5-5D	DF 5-12D	DF 5-15D
Max. output wattage (W)	1.25W	1.92W	1.95W	1.92W	1.25W	1.92W	1.95W
Input voltage (V.DC.)	5V (4.75-5.25)	5V (4.75-5.25)	5V (4.75-5.25)	5V (4.75-5.25)	5V (4.75-5.25)	5V (4.75-5.25)	5V (4.75-5.25)
Output voltage (V.DC.)	5V / 250mA	12V / 160mA	15V / 130mA	24V / 80mA	±5V / ±125mA	±12 / ±80mA	±15 / ±65mA

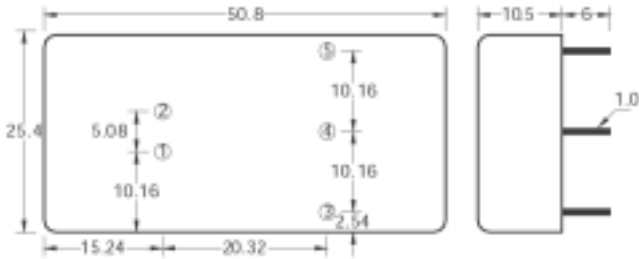
Model No.	DF 12-5S	DF 12-12S	DF 12-15S	DF 12-24S	DF 12-5D	DF 12-12D	DF 12-15D
Max. output wattage (W)	1.25W	1.92W	1.95W	1.92W	1.25W	1.92W	1.95W
Input voltage (V.DC.)	12V (10.8-13.2)	12V (10.8-13.2)	12V (10.8-13.2)	12V (10.8-13.2)	12V (10.8-13.2)	12V (10.8-13.2)	12V (10.8-13.2)
Output voltage (V.DC.)	5V / 250mA	12V / 160mA	15V / 130mA	24V / 80mA	±5V / ±125mA	±12 / ±80mA	±15 / ±65mA

Model No.	DF 24-5S	DF 24-12S	DF 24-15S	DF 24-24S	DF 24-5D	DF 24-12D	DF 24-15D
Max. output wattage (W)	1.25W	1.92W	1.95W	1.92W	1.25W	1.92W	1.95W
Input voltage (V.DC.)	24V (21.6-26.4)	24V (21.6-26.4)	24V (21.6-26.4)	24V (21.6-26.4)	24V (21.6-26.4)	24V (21.6-26.4)	24V (21.6-26.4)
Output voltage (V.DC.)	5V / 250mA	12V / 160mA	15V / 130mA	24V / 80mA	±5V / ±125mA	±12 / ±80mA	±15 / ±65mA

Model No.	DF 5-5S	DF 5-12S	DF 5-15S	DF 5-24S	DF 5-5D	DF 5-12D	DF 5-15D	
	DF12-5S	DF12-12S	DF12-15S	DF12-24S	DF12-5D	DF12-12D	DF12-15D	
	DF24-5S	DF24-12S	DF24-15S	DF24-24S	DF24-5D	DF24-12D	DF24-15D	
Max output wattage (W)	1.25W	1.92W	1.95W	1.92W	1.25W	1.92W	1.95W	
Input	Input filter π type							
Output	Voltage (V.DC.)	5	12	15	24	±5	±12	±15
	Voltage accuracy	±3%	±3%	±3%	±3%	±3%	±3%	±3%
	Current (mA) max	250	160	130	80	±125	±80	±60
	Line regulation (HL-LL) (typ.)	±0.1%	±0.1%	±0.1%	±0.1%	±0.1%	±0.1%	±0.1%
	Load regulation (10-100%) (typ.)	±0.5%	±0.5%	±0.5%	±0.5%	±0.5%	±0.5%	±0.5%
	Ripple	<0.2% Vout +10mV max (Vp-p)						
	Noise	<0.5% Vout +40mV max (Vp-p)						
	Efficiency	50%	55%	57%	60%	45%	55%	57%
Switching frequency	20KHz	20KHz	20KHz	20KHz	20KHz	20KHz	20KHz	
Protection	Over current protection	Works over 120% of rating and recovers automatically.						
	Short circuit protection	Protected (10 min)						
Isolation	Voltage	500 VDC.						
	Resistance	10 ⁹ ohms						
Environment	Operating temperature	-25°C...+71°C						
	Storage temperature	-55°C...+105°C						
	Case temperature	+95°C max.						
	Temperature coefficient	±0.02% Per°C						
	Humidity	95% RH						
	MTBF	>900,000 h @ 25°C (MIL-HDBK-217F)						
Physical	Dimension (L x W x H)	2.0 x 1.0 x 0.41 Inches (50.8 x 25.4 x 10.5 mm)						
	Case Material	Plastic						
	Weight	22 g						
	Cooling method	Free-air convection						

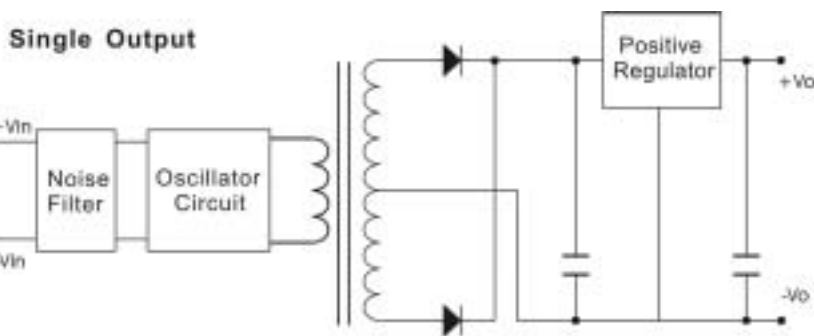
All specifications valid at nominal input voltage, full load and +25°C after warm-up time unless otherwise stated.

MECHANICAL DIMENSION (Top View)



PIN#	Single	Dual
1	+DC IN	+DC IN
2	-DC IN	-DC IN
3	+DC OUT	+DC OUT
4	NO PIN	COMMON
5	-DC OUT	-DC OUT

BLOCK DIAGRAM



DERATING

