

KEY FEATURES

- Power Modules for PCB Mounting
- Fully Encapsulated Aluminum Case
- Regulated Output
- Low Ripple and Noise
- 2-Year Product Warranty


ELECTRICAL SPECIFICATIONS

Model No.	DJ 12-5S	DJ 12-12S	DJ 12-15S	DJ 12-24S	DJ 12-5D	DJ 12-12D	DJ 12-15D	DJ 12-5S12D	DJ 12-5S15D
Max. output wattage (W)	25W	25W	25W	25W	25W	25W	25W	25W	25W
Input voltage (V.DC.)	12V (9-18V)	12V (9-18V)	12V (9-18V)	12V (9-18V)	12V (9-18V)	12V (9-18V)	12V (9-18V)	12V (9-18V)	12V (9-18V)
Output voltage (V.DC.)	5V /5000mA	12V /2080mA	15V /1660mA	24V /1040mA	±5V /±2500mA	±12V /±1040mA	±15V /±830mA	5±12V 2500±600mA	5±15V 2500±500mA

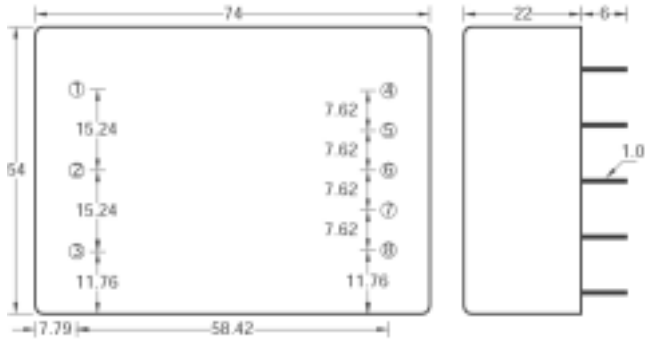
Model No.	DJ 24-5S	DJ 24-12S	DJ 24-15S	DJ 24-24S	DJ 24-5D	DJ 24-12D	DJ 24-15D	DJ 24-5S12D	DJ 24-5S15D
Max. output wattage (W)	25W	25W	25W	25W	25W	25W	25W	25W	25W
Input voltage (V.DC.)	24V (18-36V)	12V (18-36V)	24V (18-36V)	24V (18-36V)	24V (18-36V)	24V (18-36V)	24V (18-36V)	24V (18-36V)	24V (18-36V)
Output voltage (V.DC.)	5V /5000mA	12V /2080mA	15V /1660mA	24V /1040mA	±5V /±2500mA	±12V /±1040mA	±15V /±830mA	5±12V 2500±600mA	5±15V 2500±500mA

Model No.	DJ 48-5S	DJ 48-12S	DJ 48-15S	DJ 48-24S	DJ 48-5D	DJ 48-12D	DJ 48-15D	DJ 48-5S12D	DJ 48-5S15D
Max. output wattage (W)	25W	25W	25W	25W	25W	25W	25W	25W	25W
Input voltage (V.DC.)	48V (36-72V)	48V (36-72V)	48V (36-72V)	48V (36-72V)	48V (36-72V)	48V (36-72V)	48V (36-72V)	48V (36-72V)	48V (36-72V)
Output voltage (V.DC.)	5V /5000mA	12V /2080mA	15V /1660mA	24V /1040mA	±5V /±2500mA	±12V /±1040mA	±15V /±830mA	5±12V 2500±600mA	5±15V 2500±500mA

Model No.	DJ 12-5S	DJ 12-12S	DJ 12-15S	DJ 12-24S	DJ 12-5D	DJ 12-12D	DJ 12-15D	DJ 12-5S12D	DJ 12-5S15D	
Max output wattage (W)	25W	25W	25W	25W	25W	25W	25W	25W	25W	
Input	Input filter π type									
Output	Voltage (V.DC.)	5	12	15	24	±5	±12	±15	5/±12	5/±15
	Voltage accuracy	±2%	±2%	±2%	±2%	±2%	±2%	±2%	±2%	±2%
	Current (mA) max	5000	2080	1660	1040	±2500	±1040	±830	2500 /±600	2500 /±500
	Line regulation (HL-LL) (typ.)	±1%	±1%	±1%	±1%	±1%	±1%	±1%	±1% /±5%	±1% /±5%
	Load regulation (10-100%) (typ.)	±1%	±1%	±1%	±1%	±1%	±1%	±1%	±1% /±5%	±1% /±5%
	Ripple	<0.2% Vout +50mV max (Vp-p)								
	Noise	<0.5% Vout +50mV max (Vp-p)								
	Efficiency	78%	80%	80%	81%	78%	81%	82%	80%	80%
Switching frequency	300KHz	300KHz	300KHz	300KHz	300KHz	300KHz	300KHz	300KHz	300KHz	
Protection	Over current protection	Works over 120% of rating and recovers automatically.								
	Short circuit protection	Current limit, auto-recovery								
Isolation	Voltage	1600 VDC.								
Environment	Operating temperature	-25°C...+71°C								
	Storage temperature	-55°C...+105°C								
	Case temperature	+95°C max.								
	Temperature coefficient	±0.02% Per°C								
	Humidity	95% RH								
Physical	MTBF	>450,000 h @ 25°C (MIL-HDBK-217F)								
	Dimension (L x W x H)	2.91 x 2.13 x 0.87 Inches (74.0 x 54.0 x 22.0 mm)								
	Case Material	Six-side shielded Aluminum with Non-Conductive base								
	Weight	170 g								
Physical	Cooling method	Free-air convection								

All specifications valid at nominal input voltage, full load and +25°C after warm-up time unless otherwise stated.

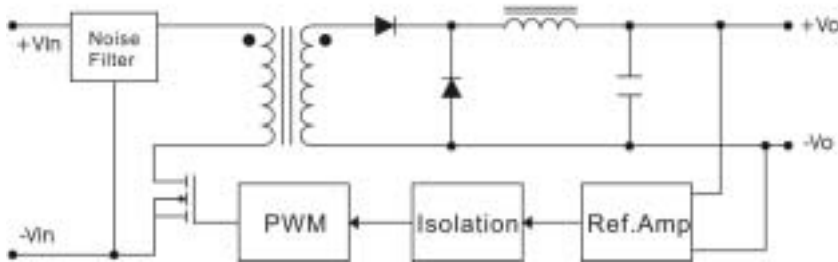
MECHANICAL DIMENSION (Top View)



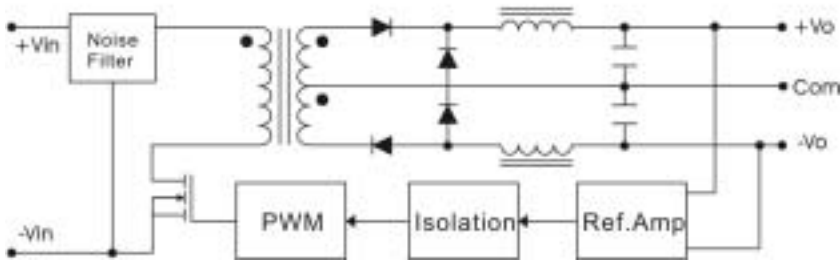
PIN#	Single	Dual	Triple
1	+DC IN	+DC IN	+DC IN
2	-DC IN	-DC IN	-DC IN
3	FG	FG	FG
4	+DC OUT	+DC OUT	+5V OUT
5	NO PIN	NO PIN	+5V G
6	-DC OUT	COMMON	+DC OUT
7	NO PIN	NO PIN	COMMON
8	DO NOT CONNECT	-DC OUT	-DC OUT

BLOCK DIAGRAM

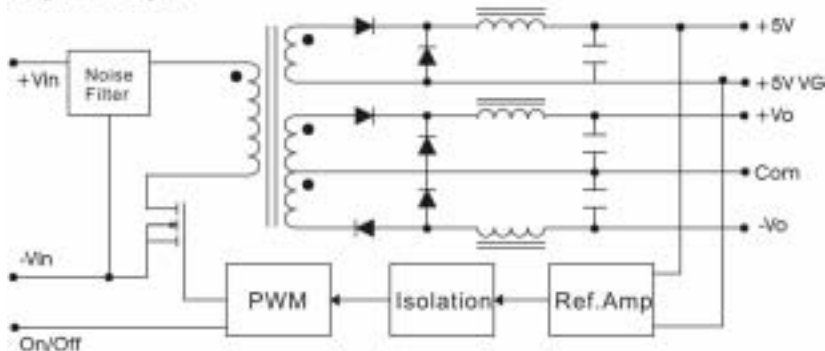
Single Output



Dual Output



Triple Output



DERATING

