

## Features

- Fast Read Access Time - 55 ns
- Low Power CMOS Operation
  - 100  $\mu$ A Maximum Standby
  - 35 mA Maximum Active at 5 MHz
- JEDEC Standard Packages
  - 40-Lead 600 mil PDIP
  - 44-Lead PLCC
  - 40-Lead TSOP (10 mm X 14 mm)
- Direct Upgrade from 512K bit and 1M bit (AT27C516 and AT27C1024) EPROMs
- 5V  $\pm$  10% Power Supply
- High Reliability CMOS Technology
  - 2,000V ESD Protection
  - 200 mA Latchup Immunity
- Rapid™ Programming Algorithm - 50  $\mu$ s/word (typical)
- CMOS and TTL Compatible Inputs and Outputs
- Integrated Product Identification Code
- Commercial and Industrial Temperature Ranges

## Description

The AT27C2048 is a low-power, high performance 2,097,152-bit one-time programmable read only memory (OTP EPROM) organized 128K by 16 bits. It requires a single 5V power supply in normal read mode operation. Any word can be accessed in less than 55 ns, eliminating the need for speed-reducing WAIT states. The by-16 organization makes this part ideal for high-performance 16 and 32 bit microprocessor systems.

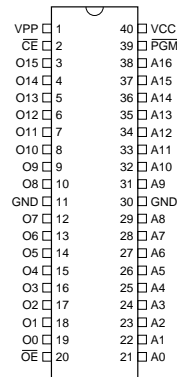
(continued)

## Pin Configurations

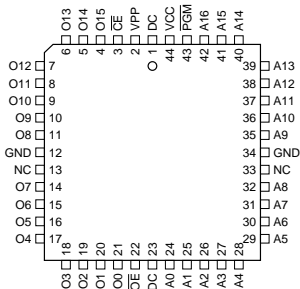
Pin Name	Function
A0 - A16	Addresses
O0 - O15	Outputs
$\overline{CE}$	Chip Enable
$\overline{OE}$	Output Enable
$\overline{PGM}$	Program
NC	No Connect

Note: Both GND pins must be connected.

PDIP Top View

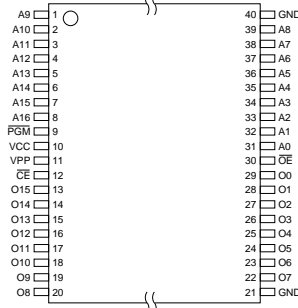


PLCC Top View



Note: PLCC package pins 1 and 23 are DON'T CONNECT.

TSOP Top View  
Type 1



0632B-A-06/97



## 2-Megabit (128K x 16) OTP EPROM

## AT27C2048



## Description

In read mode, the AT27C2048 typically consumes 15 mA. Standby mode supply current is typically less than 10  $\mu$ A.

The AT27C2048 is available in industry standard JEDEC-approved one-time programmable (OTP) plastic PDIP, PLCC, and TSOP packages. The device features two-line control ( $\overline{CE}$ ,  $\overline{OE}$ ) to eliminate bus contention in high-speed systems.

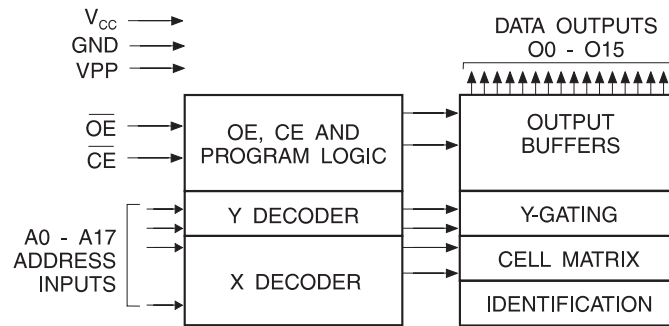
With high density 128K word storage capability, the AT27C2048 allows firmware to be stored reliably and to be accessed by the system without the delays of mass storage media.

Atmel's AT27C2048 has additional features that ensure high quality and efficient production use. The Rapid™ Programming Algorithm reduces the time required to program the part and guarantees reliable programming. Programming time is typically only 50  $\mu$ s/word. The Integrated Product Identification Code electronically identifies the device and manufacturer. This feature is used by industry standard programming equipment to select the proper programming algorithms and voltages.

## System Considerations

Switching between active and standby conditions via the Chip Enable pin may produce transient voltage excursions. Unless accommodated by the system design, these transients may exceed data sheet limits, resulting in device non-conformance. At a minimum, a 0.1  $\mu$ F high frequency, low inherent inductance, ceramic capacitor should be utilized for each device. This capacitor should be connected between the  $V_{CC}$  and Ground terminals of the device, as close to the device as possible. Additionally, to stabilize the supply voltage level on printed circuit boards with large EPROM arrays, a 4.7  $\mu$ F bulk electrolytic capacitor should be utilized, again connected between the  $V_{CC}$  and Ground terminals. This capacitor should be positioned as close as possible to the point where the power supply is connected to the array.

## Block Diagram



## Absolute Maximum Ratings\*

Temperature Under Bias .....	-55°C to +125°C
Storage Temperature.....	-65°C to +150°C
Voltage on Any Pin with Respect to Ground .....	-2.0V to +7.0V <sup>(1)</sup>
Voltage on A9 with Respect to Ground .....	-2.0V to +14.0V <sup>(1)</sup>
V <sub>PP</sub> Supply Voltage with Respect to Ground .....	-2.0V to +14.0V <sup>(1)</sup>

\*NOTICE: Stresses beyond those listed under “Absolute Maximum Ratings” may cause permanent damage to the device. This is a stress rating only and functional operation of the device at these or any other conditions beyond those indicated in the operational sections of this specification is not implied. Exposure to absolute maximum rating conditions for extended periods may affect device reliability.

Note: Maximum voltage is -0.6V dc which may undershoot to -2.0V for pulses of less than 20 ns. Maximum output pin voltage is V<sub>CC</sub> + 0.75V dc which may overshoot to +7.0V for pulses of less than 20 ns.

## Operating Modes

Mode/Pin	CE	OE	PGM	Ai	V <sub>PP</sub>	Outputs
Read	V <sub>IL</sub>	V <sub>IL</sub>	X <sup>(1)</sup>	Ai	X <sup>(1)</sup>	D <sub>OUT</sub>
Output Disable	X	V <sub>IH</sub>	X	X	X	High Z
Standby	V <sub>IH</sub>	X	X	X	X <sup>(5)</sup>	High Z
Rapid Program <sup>(2)</sup>	V <sub>IL</sub>	V <sub>IH</sub>	V <sub>IL</sub>	Ai	V <sub>PP</sub>	D <sub>IN</sub>
PGM Verify	V <sub>IL</sub>	V <sub>IL</sub>	V <sub>IH</sub>	Ai	V <sub>PP</sub>	D <sub>OUT</sub>
PGM Inhibit	V <sub>IH</sub>	X	X	X	V <sub>PP</sub>	High Z
Product Identification <sup>(4)</sup>	V <sub>IL</sub>	V <sub>IL</sub>	X	A9 = V <sub>H</sub> <sup>(3)</sup> A0 = V <sub>IH</sub> or V <sub>IL</sub> A1 - A16 = V <sub>IL</sub>	V <sub>CC</sub>	Identification Code

- Notes:
- X can be V<sub>IL</sub> or V<sub>IH</sub>.
  - Refer to the Programming characteristics.
  - V<sub>H</sub> = 12.0 ± 0.5V.
  - Two identifier words may be selected. All Ai inputs are held low (V<sub>IL</sub>), except A9, which is set to V<sub>H</sub>, and A0, which is toggled low (V<sub>IL</sub>) to select the Manufacturer's Identification word and high (V<sub>IH</sub>) to select the Device Code word.
  - Standby V<sub>CC</sub> current (I<sub>SB</sub>) is specified with V<sub>PP</sub> = V<sub>CC</sub>. V<sub>CC</sub> > V<sub>PP</sub> will cause a slight increase in I<sub>SB</sub>.



## DC and AC Operating Conditions for Read Operation

		AT27C2048				
		-55	-70	-90	-12	-15
Operating Temperature (Case)	Com.	0°C - 70°C	0°C - 70°C	0°C - 70°C	0°C - 70°C	0°C - 70°C
	Ind.	-40°C - 85°C	-40°C - 85°C	-40°C - 85°C	-40°C - 85°C	-40°C - 85°C
V <sub>CC</sub> Power Supply		5V ± 10%	5V ± 10%	5V ± 10%	5V ± 10%	5V ± 10%

## DC and Operating Characteristics for Read Operation

Symbol	Parameter	Condition	Min	Max	Units
I <sub>LI</sub>	Input Load Current	V <sub>IN</sub> = 0V to V <sub>CC</sub>		± 1	μA
I <sub>LO</sub>	Output Leakage Current	V <sub>OUT</sub> = 0V to V <sub>CC</sub>		± 5	μA
I <sub>PP1</sub> <sup>(2)</sup>	V <sub>PP</sub> <sup>(1)</sup> Read/Standby Current	V <sub>PP</sub> = V <sub>CC</sub>		10	μA
I <sub>SB</sub>	V <sub>CC</sub> <sup>(1)</sup> Standby Current	I <sub>SB1</sub> (CMOS) CE = V <sub>CC</sub> ± 0.3V		100	μA
		I <sub>SB2</sub> (TTL) CE = 2.0 to V <sub>CC</sub> + 0.5V		1	mA
I <sub>CC</sub>	V <sub>CC</sub> Active Current	f = 5 MHz, I <sub>OUT</sub> = 0 mA, CE = V <sub>IL</sub>		35	mA
V <sub>IL</sub>	Input Low Voltage		-0.6	0.8	V
V <sub>IH</sub>	Input High Voltage		2.0	V <sub>CC</sub> + 0.5	V
V <sub>OL</sub>	Output Low Voltage	I <sub>OL</sub> = 2.1 mA		0.4	V
V <sub>OH</sub>	Output High Voltage	I <sub>OH</sub> = -400 μA	2.4		V

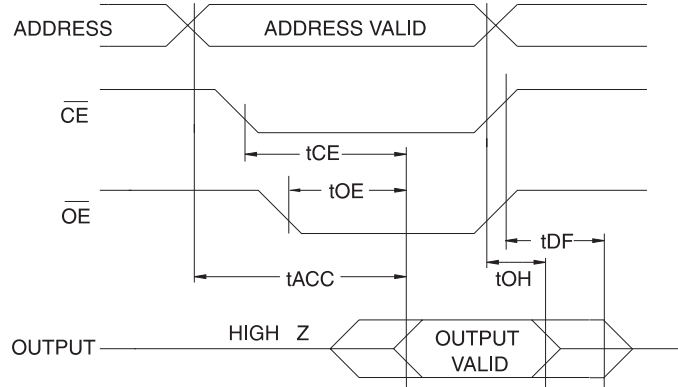
- Notes: 1. V<sub>CC</sub> must be applied simultaneously or before V<sub>PP</sub> and removed simultaneously or after V<sub>PP</sub>  
 2. V<sub>PP</sub> may be connected directly to V<sub>CC</sub>, except during programming. The supply current would then be the sum of I<sub>CC</sub> and I<sub>PP</sub>

## AC Characteristics for Read Operation

Symbol	Parameter	Condition	AT27C2048										Units
			-55		-70		-90		-12		-15		
			Min	Max	Min	Max	Min	Max	Min	Max	Min	Max	
t <sub>ACC</sub> <sup>(3)</sup>	Address to Output Delay	CE = OE = V <sub>IL</sub>		55		70		90		120		150	ns
t <sub>CE</sub> <sup>(2)</sup>	CE to Output Delay	OE = V <sub>IL</sub>		55		70		90		120		150	ns
t <sub>OE</sub> <sup>(2)(3)</sup>	OE to Output Delay	CE = V <sub>IL</sub>		20		30		35		40		50	ns
t <sub>DF</sub> <sup>(4)(5)</sup>	OE or CE High to Output Float, whichever occurred first			20		20		20		30		35	ns
t <sub>OH</sub> <sup>(4)</sup>	Output Hold from Address, CE or OE, whichever occurred first		7		7		0		0		0		ns

- Notes: 1. 2, 3, 4, 5. See the AC Waveforms for Read Operation diagram.

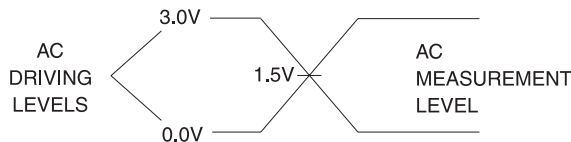
## AC Waveforms for Read Operation<sup>(1)</sup>



- Notes:
1. Timing measurement references are 0.8V and 2.0V. Input AC drive levels are 0.45V and 2.4V, unless otherwise specified.
  2.  $\overline{OE}$  may be delayed up to  $t_{CE} - t_{OE}$  after the falling edge of  $\overline{CE}$  without impact on  $t_{CE}$ .
  3.  $\overline{OE}$  may be delayed up to  $t_{ACC} - t_{OE}$  after the address is valid without impact on  $t_{ACC}$ .
  4. This parameter is only sampled and is not 100% tested.
  5. Output float is defined as the point when data is no longer driven.

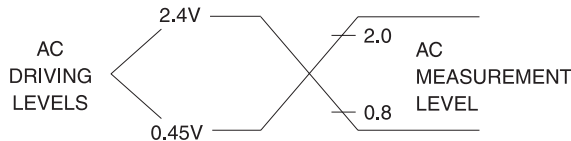
## Input Test Waveforms and Measurement Levels

For -55 devices only:



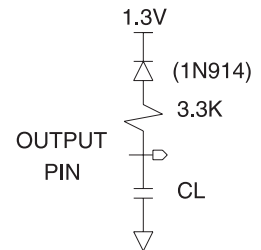
$t_R, t_F < 5$  ns (10% to 90%)

For -70, -90, -12 and -15 devices:



$t_R, t_F < 20$  ns (10% to 90%)

## Output Test Load



Note:  $CL = 100$  pF including jig capacitance, except for the -55 devices, where  $CL = 30$  pF.

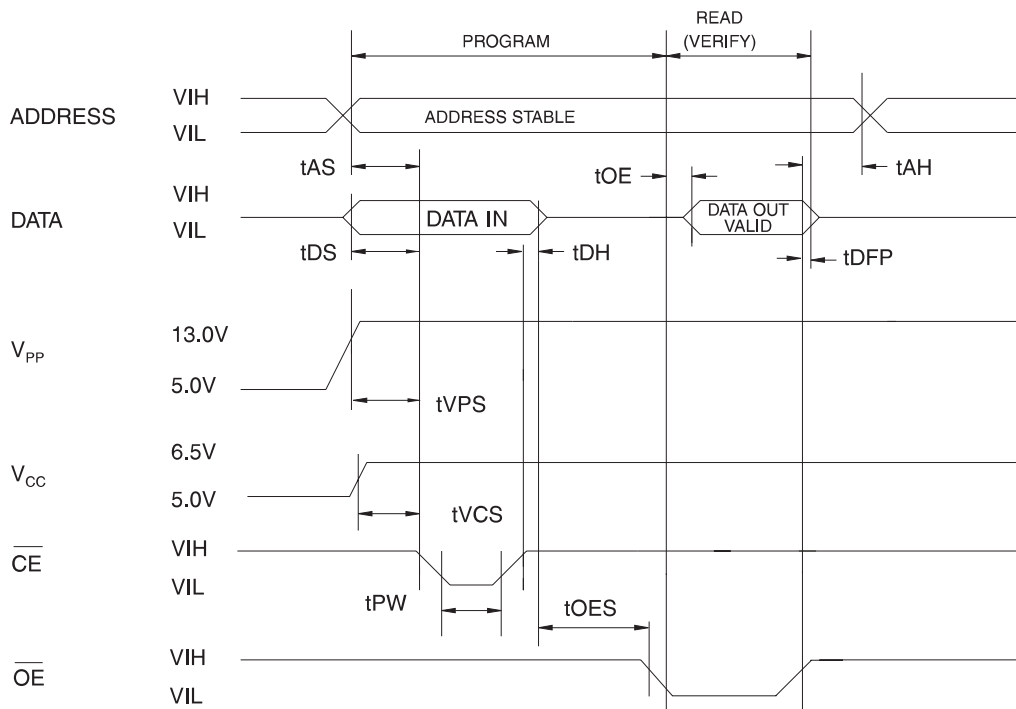
## Pin Capacitance

( $f = 1$  MHz  $T = 25^\circ\text{C}$ )<sup>(1)</sup>

	Typ	Max	Units	Conditions
$C_{IN}$	4	10	pF	$V_{IN} = 0V$
$C_{OUT}$	8	12	pF	$V_{OUT} = 0V$

Note: Typical values for nominal supply voltage. This parameter is only sampled and is not 100% tested.

## Programming Waveforms<sup>(1)</sup>



- Notes:
1. The Input Timing Reference is 0.8V for  $V_{IL}$  and 2.0V for  $V_{IH}$ .
  2.  $t_{OE}$  and  $t_{DFP}$  are characteristics of the device but must be accommodated by the programmer.
  3. When programming the AT27C2048, a 0.1  $\mu$ F capacitor is required across  $V_{PP}$  and ground to suppress spurious voltage transients.

## DC Programming Characteristics

$T_A = 25 \pm 5^\circ\text{C}$ ,  $V_{CC} = 6.5 \pm 0.25\text{V}$ ,  $V_{PP} = 13.0 \pm 0.25\text{V}$

Symbol	Parameter	Test Conditions	Limits		Units
			Min	Max	
$I_{LI}$	Input Load Current	$V_{IN} = V_{IL}, V_{IH}$		$\pm 10$	$\mu\text{A}$
$V_{IL}$	Input Low Level		-0.6	0.8	V
$V_{IH}$	Input High Level		2.0	$V_{CC} + 0.5$	V
$V_{OL}$	Output Low Voltage	$I_{OL} = 2.1 \text{ mA}$		0.4	V
$V_{OH}$	Output High Voltage	$I_{OH} = -400 \mu\text{A}$	2.4		V
$I_{CC2}$	$V_{CC}$ Supply Current (Program and Verify)			50	mA
$I_{PP2}$	$V_{PP}$ Supply Current	$\overline{CE} = V_{IL}$		30	mA
$V_{ID}$	A9 Product Identification Voltage		11.5	12.5	V

### AC Programming Characteristics

$T_A = 25 \pm 5^\circ\text{C}$ ,  $V_{CC} = 6.5 \pm 0.25\text{V}$ ,  $V_{PP} = 13.0 \pm 0.25\text{V}$

Symbol	Test Conditions <sup>(1)</sup>		AC Conditions of Test	Limits		Units
	Parameter			Min	Max	
$t_{AS}$	Address Setup Time		Input Rise and Fall Times (10% to 90%) 20ns	2		$\mu\text{s}$
$t_{OES}$	$\overline{OE}$ Setup Time			2		$\mu\text{s}$
$t_{DS}$	Data Setup Time			2		$\mu\text{s}$
$t_{AH}$	Address Hold Time		Input Pulse Levels 0.45V to 2.4V	0		$\mu\text{s}$
$t_{DH}$	Data Hold Time			2		$\mu\text{s}$
$t_{DFP}$	$\overline{OE}$ High to Output Float Delay <sup>(2)</sup>			0	130	ns
$t_{VPS}$	$V_{PP}$ Setup Time		Input Timing Reference Level 0.8V to 2.0V	2		$\mu\text{s}$
$t_{VCS}$	$V_{CC}$ Setup Time			2		$\mu\text{s}$
$t_{PW}$	$\overline{PGM}$ Program Pulse Width <sup>(3)</sup>		Output Timing Reference Level 0.8V to 2.0V	47.5	52.5	$\mu\text{s}$
$t_{OE}$	Data Valid from $\overline{OE}$				150	ns
$t_{PRT}$	$V_{PP}$ Pulse Rise Time During Programming			50		ns

- Notes:
- $V_{CC}$  must be applied simultaneously or before  $V_{PP}$  and removed simultaneously or after  $V_{PP}$
  - This parameter is only sampled and is not 100% tested. Output Float is defined as the point where data is no longer driven —see timing diagram.
  - Program Pulse width tolerance is 50  $\mu\text{sec} \pm 5\%$ .

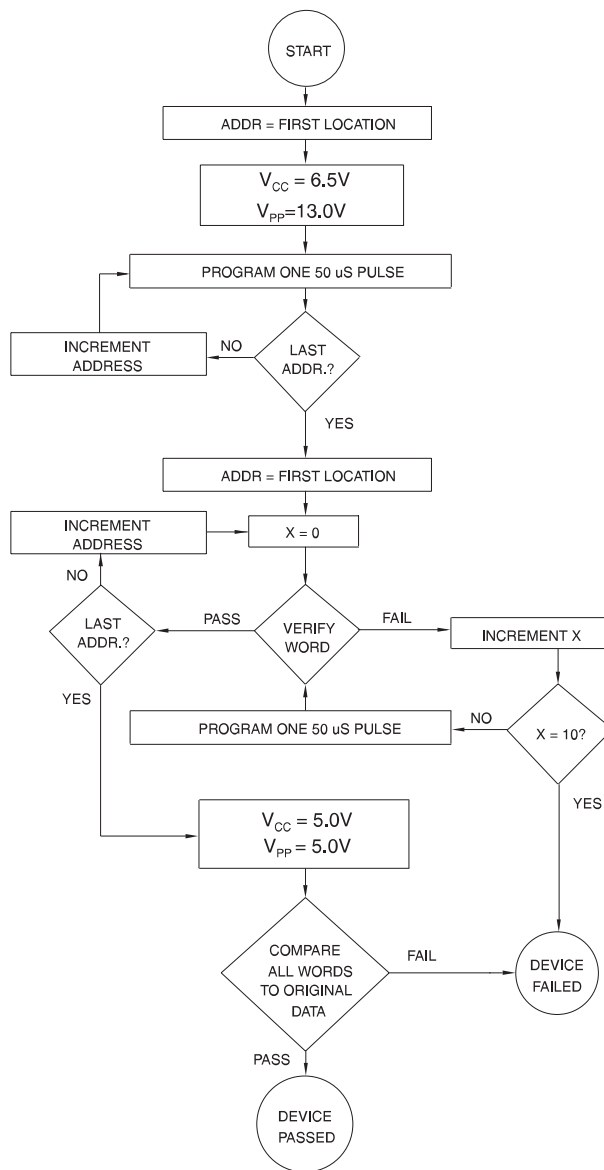
### Atmel's 27C2048 Intergrated Product Identification Code

Codes	Pins										Hex Data
	A0	015-08	O7	O6	O5	O4	O3	O2	O1	O0	
Manufacturer	0	0	0	0	0	1	1	1	1	0	001E
Device Type	1	0	1	1	1	1	0	1	1	1	00F7



## Rapid Programming Algorithm

A 50  $\mu\text{s}$   $\overline{\text{CE}}$  pulse width is used to program. The address is set to the first location.  $V_{\text{CC}}$  is raised to 6.5V and  $V_{\text{PP}}$  is raised to 13.0V. Each address is first programmed with one 50  $\mu\text{s}$   $\overline{\text{CE}}$  pulse without verification. Then a verification/reprogramming loop is executed for each address. In the event a word fails to pass verification, up to 10 successive 50  $\mu\text{s}$  pulses are applied with a verification after each pulse. If the word fails to verify after 10 pulses have been applied, the part is considered failed. After the word verifies properly, the next address is selected until all have been checked.  $V_{\text{PP}}$  is then lowered to 5.0V and  $V_{\text{CC}}$  to 5.0V. All words are read again and compared with the original data to determine if the device passes or fails.





## Ordering Information

t <sub>ACC</sub> (ns)	I <sub>CC</sub> (mA)		Ordering Code	Package	Operation Range
	Active	Standby			
55	35	0.1	AT27C2048-55JC AT27C2048-55PC AT27C2048-55VC	44J 40P6 40V	Commercial (0°C to 70°C)
	35	0.1	AT27C2048-55JI AT27C2048-55PI AT27C2048-55VI	44J 40P6 40V	Industrial (-40°C to 85°C)
70	35	0.1	AT27C2048-70JC AT27C2048-70PC AT27C2048-70VC	44J 40P6 40V	Commercial (0°C to 70°C)
	35	0.1	AT27C2048-70JI AT27C2048-70PI AT27C2048-70VI	44J 40P6 40V	Industrial (-40°C to 85°C)
90	35	0.1	AT27C2048-90JC AT27C2048-90PC AT27C2048-90VC	44J 40P6 40V	Commercial (0°C to 70°C)
	35	0.1	AT27C2048-90JI AT27C2048-90PI AT27C2048-90VI	44J 40P6 40V	Industrial (-40°C to 85°C)
120	35	0.1	AT27C2048-12JC AT27C2048-12PC AT27C2048-12VC	44J 40P6 40V	Commercial (0°C to 70°C)
	35	0.1	AT27C2048-12JI AT27C2048-12PI AT27C2048-12VI	44J 40P6 40V	Industrial (-40°C to 85°C)
150	35	0.1	AT27C2048-15JC AT27C2048-15PC AT27C2048-15VC	44J 40P6 40V	Commercial (0°C to 70°C)
	35	0.1	AT27C2048-15JI AT27C2048-15PI AT27C2048-15VI	44J 40P6 40V	Industrial (-40°C to 85°C)

Package Type	
<b>44J</b>	44 Lead, Plastic J-Leaded Chip Carrier (PLCC)
<b>40P6</b>	40 Lead, 0.600" Wide, Plastic Dual Inline Package (PDIP)
<b>40V</b>	40 Lead, Plastic Thin Small Outline Package (TSOP) 10 x 14 mm