

AZ Displays, Inc.

1. MECHANICAL DATA

(1) Product No.	AGM3224G
(2) Module Size	170.0(W)mm X 110.0(H)mm X MAX8.0(D)mm (CCFL B/L) (Excluded the mounting portions and connectors)
(3) Dot Size	0.33 (W)mm x 0.33 (H)mm
(4) Dot Pitch	0.36 (W)mm x 0.36 (H)mm
(5) Number of Dots	320 (W) x 240 (H)Dots
(6) Duty	1/240
(7) LCD Display Mode	STN: <input type="checkbox"/> Gray Mode <input type="checkbox"/> Yellow Mode <input type="checkbox"/> Blue Mode FSTN: <input type="checkbox"/> Black and White(Normally White/Positive Image) <input type="checkbox"/> Black and White(Normally Black/Negative Image) Rear Polarizer: <input type="checkbox"/> Reflective <input type="checkbox"/> Transflective <input type="checkbox"/> Transmissive <input type="checkbox"/> Transflective(High Transmissive)
(8) Viewing Direction	<input type="checkbox"/> 6 O'clock <input type="checkbox"/> 12 O'clock <input type="checkbox"/> ____O'clock
(9) Backlight	CCFL B/L
(10) Weight	220g(approx.)
(11) Controller	Without
(12) DC/DC Converter	Without

AZ Displays, Inc.

2. ABSOLUTE MAXIMUM RATINGS

(1) ELECTRICAL ABSOLUTE RATINGS

VSS=0V

ITEM	SYMBOL	MIN	MAX	UNIT	COMMENT
Power Supply for Logic	VDD-VSS	0	6.0	V	
Power Supply for LCM	VDD-VEE	0	30.0	V	
Input Voltage	VIN-VSS	0	VDD	V	
Supply Voltage for CCFL B/L	VL	0	1500	V	
Supply Current for CCFL B/L	IL	0	6.5	mA	
Static Electricity	-	-	-	-	Note 1

Note 1 LCM should be grounded during handling.

(2) ENVIRONMENTAL ABSOLUTE MAXIMUM RATINGS

ITEM	NORMAL TEMP.				WIDE TEMP.			
	OPERATING		STORAGE		OPERATING		STORAGE	
	MIN.	MAX.	MIN.	MAX.	MIN.	MAX.	MIN.	MAX.
Ambient Temperature	0	50	-20	70	-20	70	-30	80
			Note 2,3				Note 3,5	
Humidity (Without Condensation)	Note 1				Note 4			

Note 1 $T_a \leq 50^\circ\text{C}$: 85%RH max
 $T_a > 50^\circ\text{C}$: Absolute humidity must be lower
 than the humidity of 85%RH at 50°C

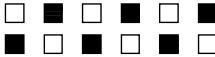
Note 2 T_a at -20°C will be < 48hrs, at 70°C will be < 120hrs

Note 3 Background color changes slightly depending on ambient temperature.
 This phenomenon is reversible.

Note 4 T_a at -30°C will be < 48hrs, at 70°C will be < 120hrs

AZ Displays, Inc.

3. ELECTRICAL CHARACTERISTICS

ITEM		SYMBOL	CONDITION	MIN.	TYP.	MAX.	UNIT	
Supply Voltage for Logic		VDD-VSS	-	4.75	5.0	5.25	V	
Supply Voltage for LCD		VEE-VSS	-	-25.2	-24.0	-22.8	V	
Recommended LC Driving Voltage (Normal Temp. LCM)		VDD-V0	Duty= 1/240	0°C	-	22.1	22.9	V
			Bias= 1/12	25°C	20.6	21.4	22.2	
				50°C	19.7	20.5	-	
Input Signal Voltage		VIH	H level	0.8VDD	-	VDD	V	
		VIO	L level	0	-	0.2VDD	V	
Supply Current for Logic		IDD	VDD=5.0 V VDD-V0=21.4 V	-	6.5	-	mA	
Supply Current for LCD		IEE	PATTERN : 	-	4.8	-	mA	
CCFL LAMP	Supply Voltage	VFTL	FREQUENCY = 35 KHz	315	316.3	317	Vrms	
	Supply Current	IFTL		4.9	5.0	5.1	Irms	
	Brightness	B		34130	34360	34760	cd/m ²	
	Color Degree	X		0.3285	0.3293	0.3305	-	
		Y		0.3316	0.3325	0.3340		

AZ Displays, Inc.

4. OPTICAL CHARACTERISTICS

(For Normal Temperature Mode LCM)

AT V_{OP}

ITEM MODE		Cr(Contrast Ratio)		θ (Viewing Angle)		ϕ (Viewing Angle)	
		25°C		25°C		25°C	
		MIN.	TYP.	MIN.	TYP.	MIN.	TYP.
R	A,B						
	C,D						
	J						
S	A,B						
	C,D						
	J						
T	E	4.0	6.0	35	65	20	30
	G	5.0	7.0	40	70	25	35
note		NOTE6		NOTE5			

AT $\phi=0^\circ \theta=0^\circ$

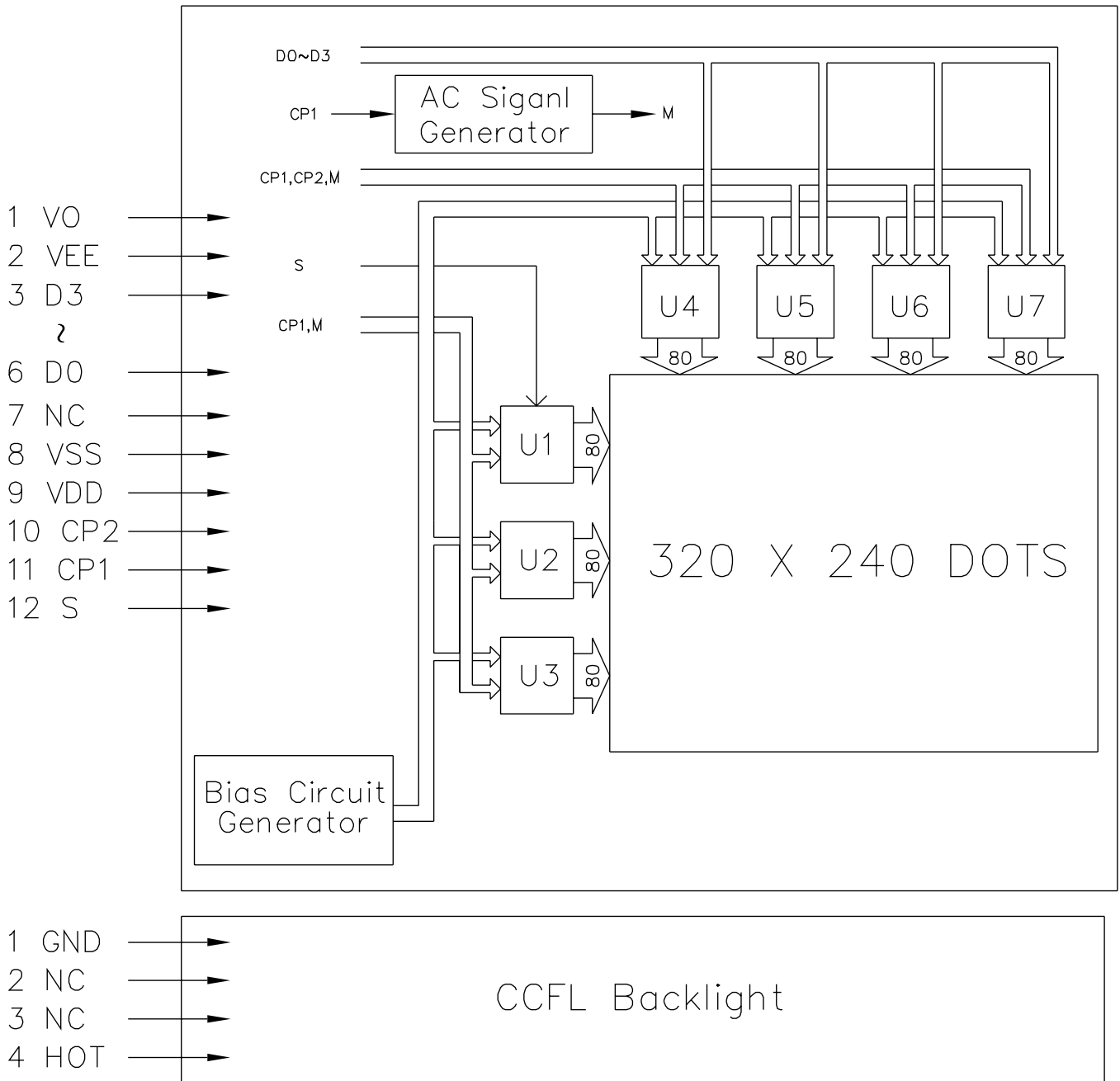
ITEM	SYMBOL	CONDITION	MIN.	TYP.	MAX.	UNIT	NOTE
Response Time (rise)	Tr	0°C	—	500	1000	ms	NOTE 2
		25°C	—	200	400		
		50°C	—	70	140		
Response Time (fall)	Tf	0°C	—	800	1300	ms	NOTE 2
		25°C	—	220	420		
		50°C	—	120	190		

note:

R: REFLECTIVE
 S: TRANSFLECTIVE
 T: TRANSMISSIVE
 A,B: GRAY
 C,D: YELLOW
 J: NORMALLY WHITE
 E: BLUE
 G: NORMALLY BLACK

AZ Displays, Inc.

5. BLOCK DIAGRAM



* AC Signal Setting

J1	J2	J3	J4	J5	J6	J7	J8
L	L	L	H	L	H	H	H

AZ Displays, Inc.

6. INTERNAL PIN CONNECTION

CN1(LCD)

PinNo.	Symbol	Level	Function	
1	V0	—	LCD CONTRAST ADJUST VOLTAGE	
2	VEE	—	POWER SUPPLY FOR LCD DRIVE	
3	D3	H/L	DISPLAY DATA SIGNAL	
4	D2	H/L		
5	D1	H/L		
6	D0	H/L		
7	NC	—	NO CONNECTION	
8	VSS	—	0V	GROUND
9	VDD	—	5V	DC POWER SUPPLY
10	CP2	H/L	DATA INPUT CLOCK SIGNAL	
11	CP1	H/L	INPUT DATA LATCH SIGNAL	
12	S	H/L	SCAN START-UP SIGNAL	

CN2(CCFL)

PinNo.	Symbol	Level	Function	
1	VFT1	—	POWER SUPPLY FOR CCFL(GND)	
2	NC	—	NO CONNECTION	
3	NC	—	NO CONNECTION	
4	VFT2	—	POWER SUPPLY FOR CCFL(HOT)	

Used connector :

CN1 : 12 PIN, FFC(PITCH 1.25mm)

CN2 : M63M83-04 (MITSUMI)

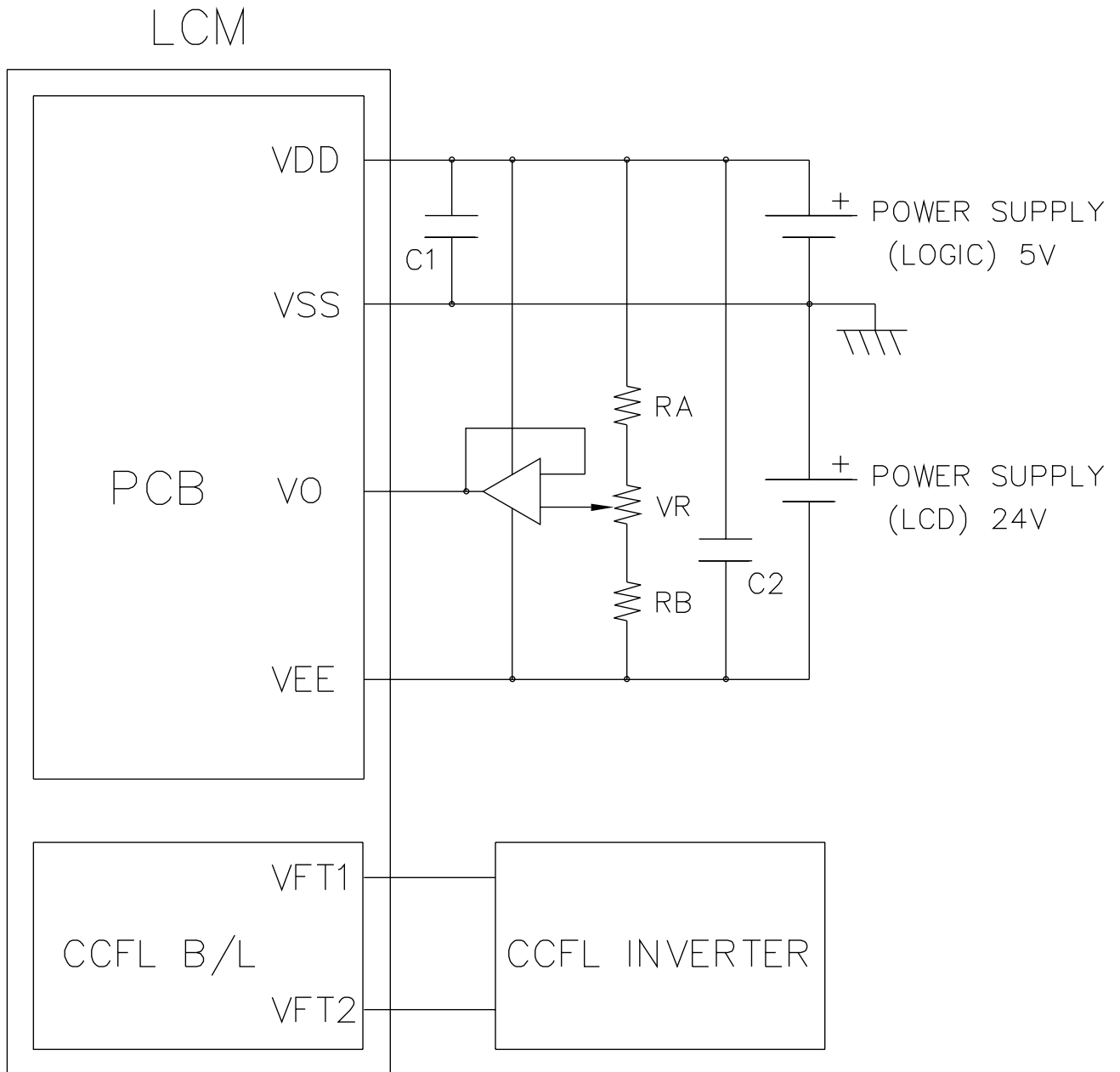
Mating connector :

CN1 : 5597-12APB.5597-12CPB(MOLEX)

CN2 : M60-04-30-134P (MITSUMI)

AZ Displays, Inc.

7. POWER SUPPLY



$$RA = 20 \text{ K}\Omega$$

$$RB = 0.1 \text{ K}\Omega$$

$$VR = 10 \text{ K}\Omega \text{ (VARIABLE)}$$

$$C1, C2 = 10 \text{ }\mu\text{F}$$

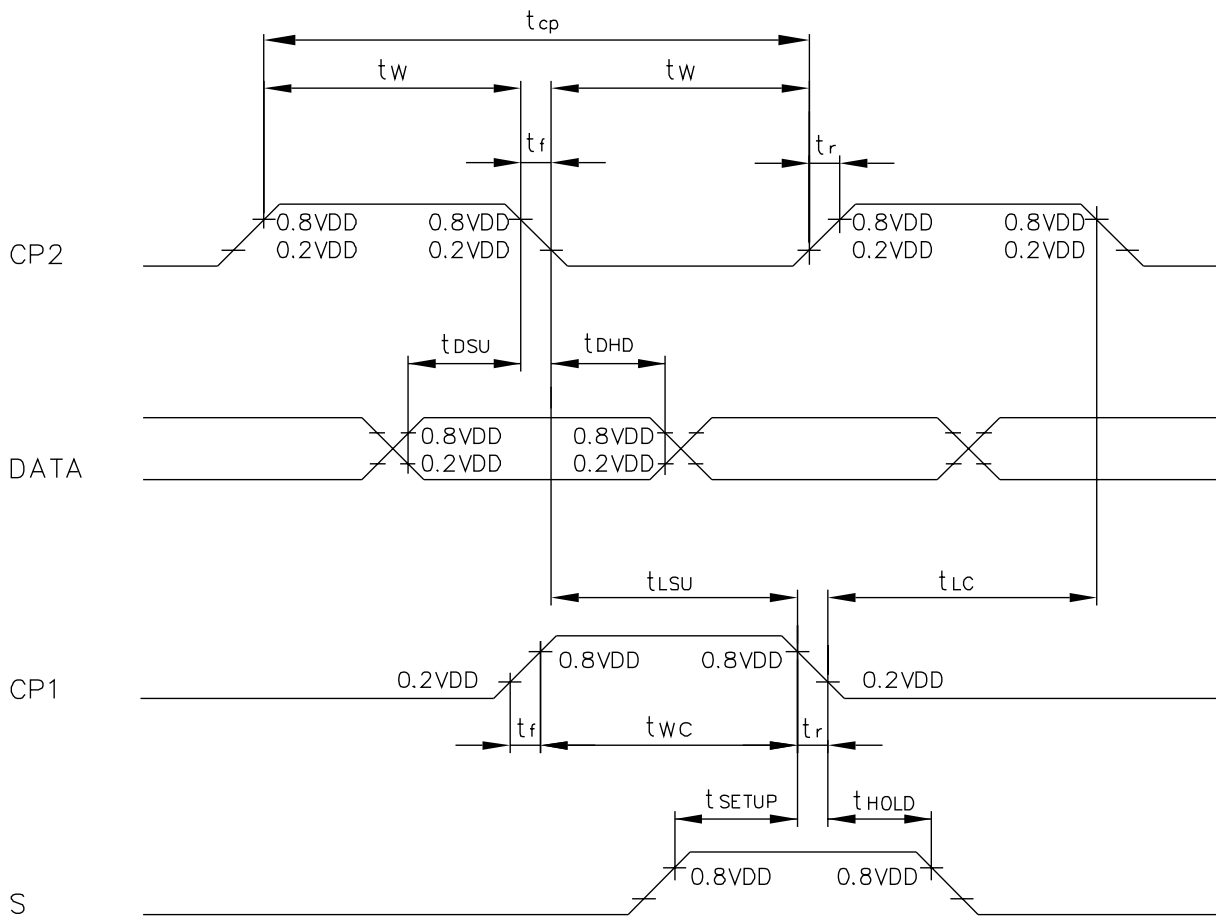
AZ Displays, Inc.

8. TIMING CHARACTERISTICS

8-1 INTERFACE TIMING

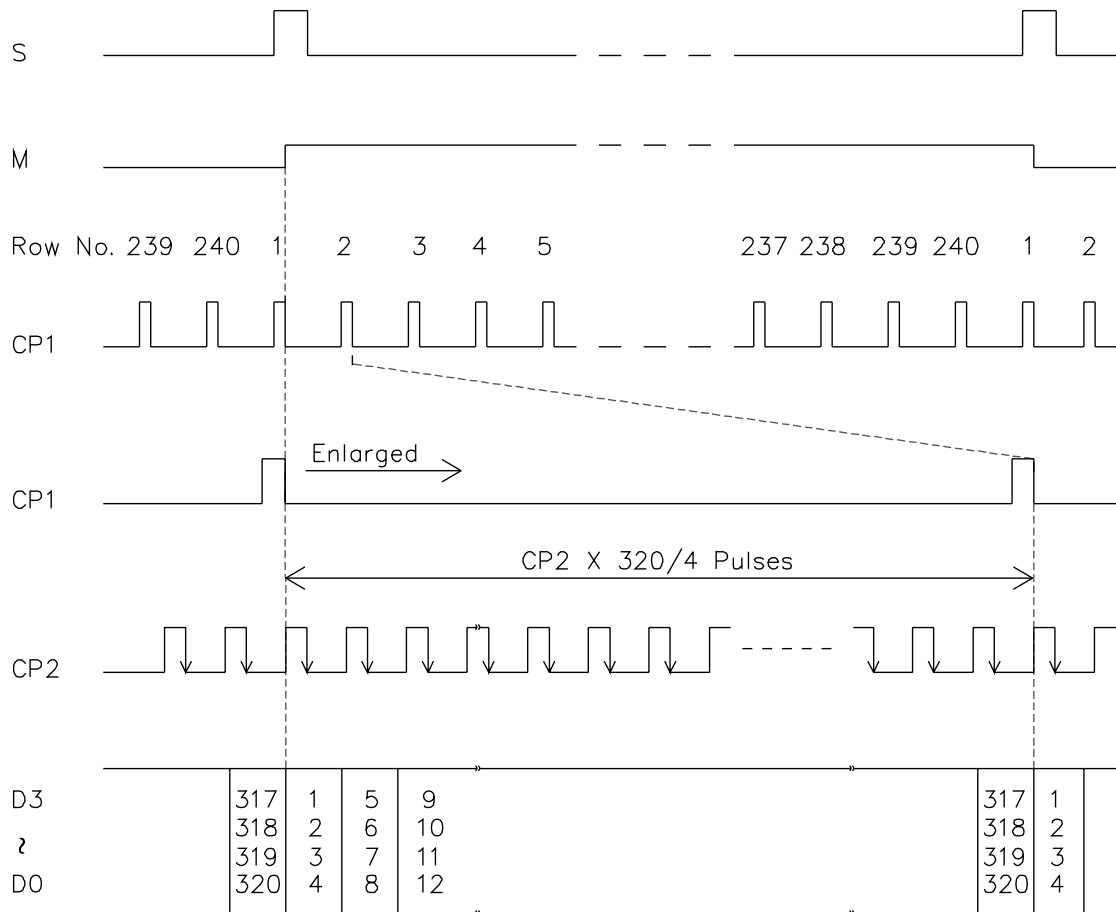
@VDD=2.5~5.5V

ITEM	SYMBOL	MIN.	TYP.	MAX.	UNIT
"CP2" CLOCK CYCLE	t_{CP}	152	-	-	ns
"CP2" PULSE WIDTH	t_w	65	-	-	ns
CLOCK RISE, FALL TIME	t_r, t_f	-	-	50	ns
DATA SETUP TIME	t_{DSU}	50	-	-	ns
DATA HOLD TIME	t_{DHD}	40	-	-	ns
"CP2" → "CP1" FALL TIME	t_{LSU}	65	-	-	ns
"CP1" → "CP2" FALL TIME	t_{LC}	65	-	-	ns
"S" SETUP TIME	t_{SETUP}	100	-	-	ns
"S" HOLD TIME	t_{HOLD}	100	-	-	ns
"CP1" PULSE WIDTH	t_{WC}	65	-	-	ns



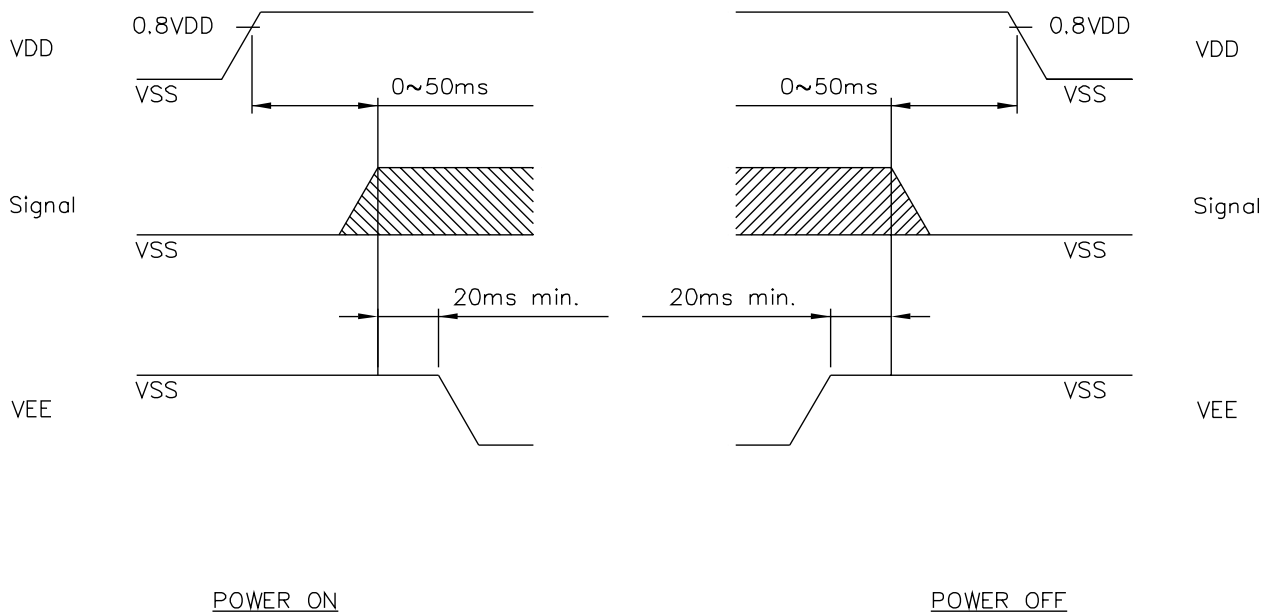
AZ Displays, Inc.

8-2 TIMING CHART OF INPUT SIGNALS



AZ Displays, Inc.

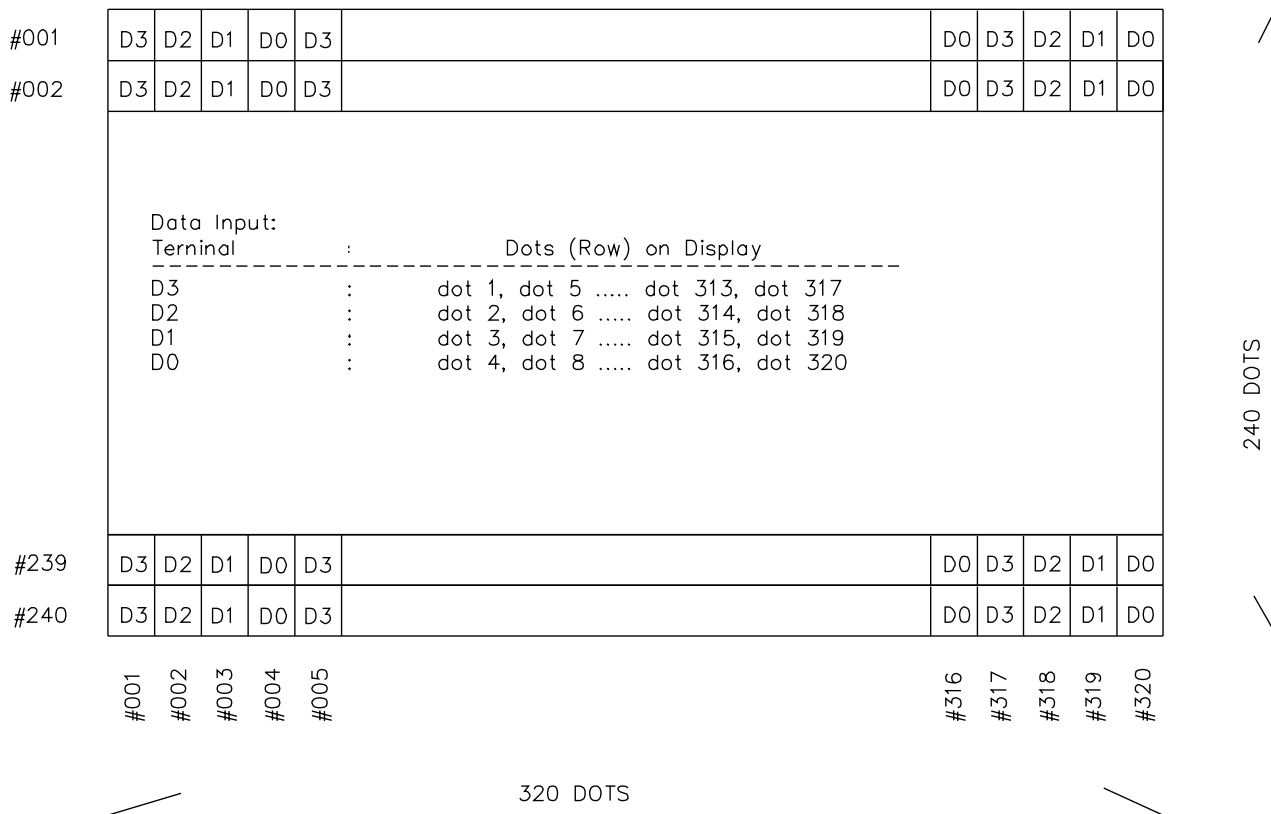
8-3 POWER ON/OFF TIMING



The missing pixels may occur when the LCM is driven beyond above power interface timing sequence.

AZ Displays, Inc.

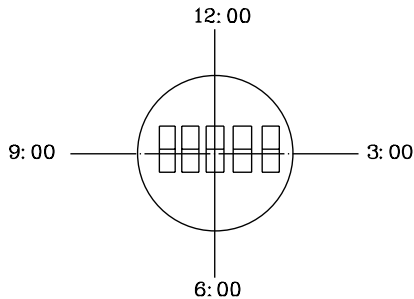
8-4 DISPLAY PATTERN



AZ Displays, Inc.

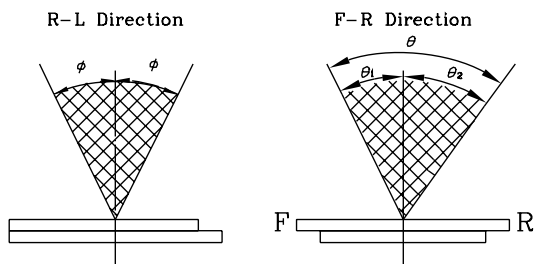
(NOTE 4)

Definition of Viewing Direction



(NOTE 5)

Definition of Viewing Angle



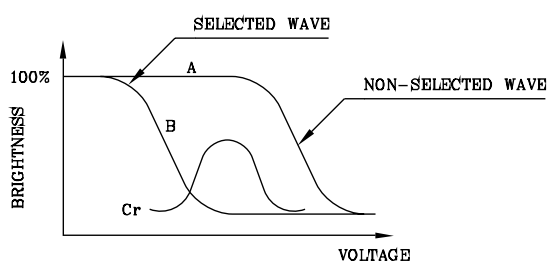
$$\theta = \theta_1 + \theta_2$$

*Conditions

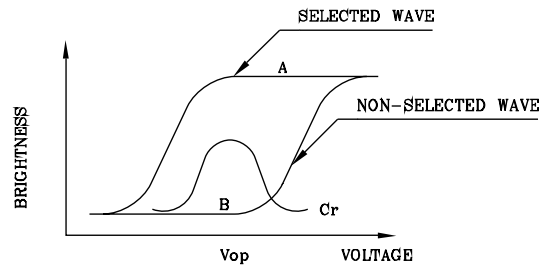
- Operating Voltage : V_{op}
- Frame Frequency : 70Hz
- Applying Waveform : 1/N duty 1/a bias
- Contrast Ratio : larger than 2

(NOTE 6)

Definition of Contrast Ratio (Cr)



(positive type)



(negative type)

$$\text{Contrast Ratio : } Cr = A/B$$

*Conditions

- Viewing Angle : 0
- Frame Frequency : 70Hz
- Applying Waveform : 1/N duty 1/a bias

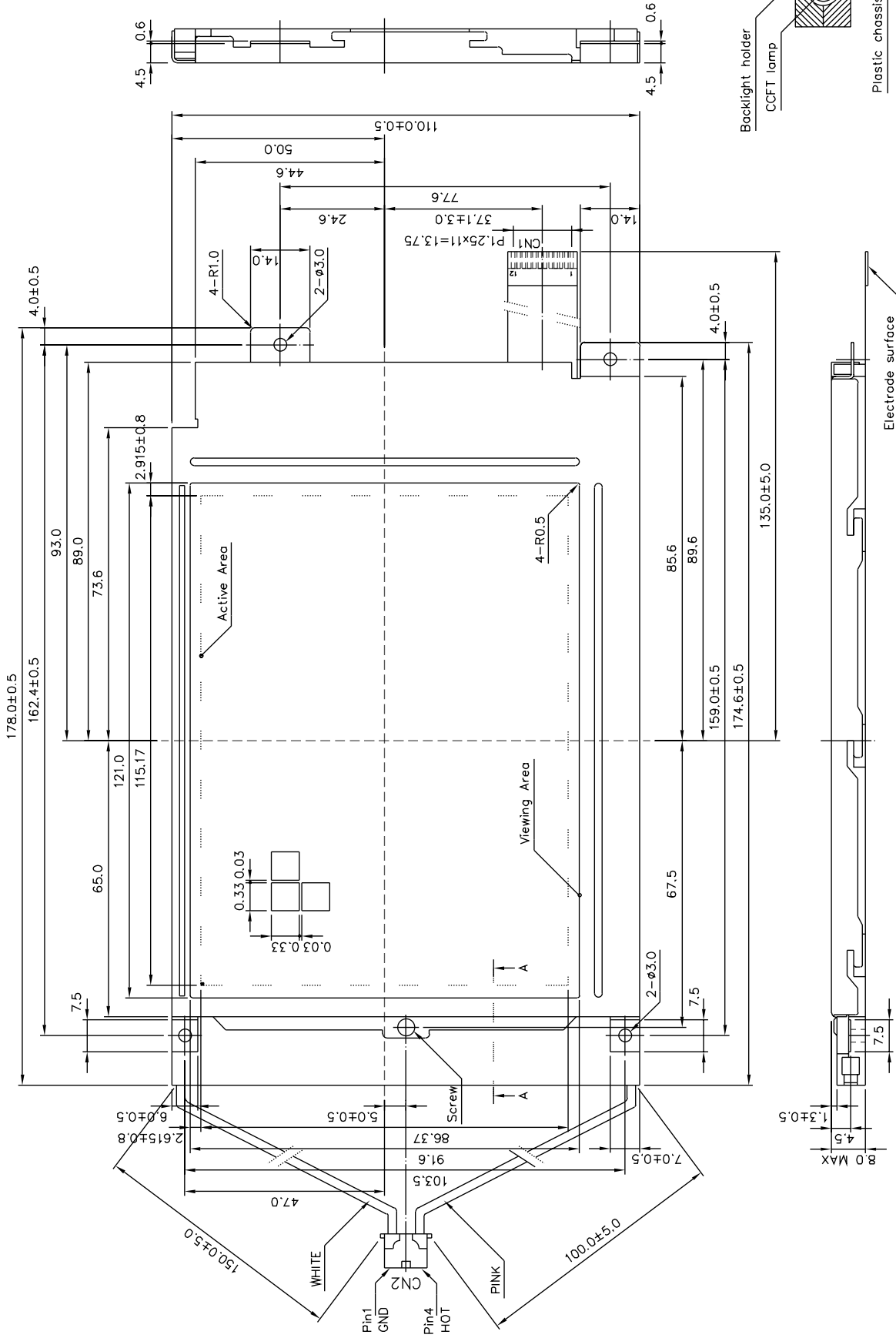
INTERFACE SYMBOL

CN1

Pin No.	SYMBOL	Pin No.	SYMBOL
1	V _o	7	NC
2	V _{FE}	8	V _{SS}
3	D ₃	9	V _{DD}
4	D ₂	10	CP ₂
5	D ₁	11	CP ₁
6	D ₀	12	S

CN2

Pin No.	SYMBOL
1	GND(white)
2	NC
3	NC
4	HOT(pink)



A-A' Section(Scale : 2/1)

Note :

1. RESOLUTION : 320 X 240 DOTS
2. CONTROLLER : WITHOUT
3. DC/DC CONVERTER : WITHOUT

AGM3224G		AZ DISPLAYS, INC.	
APPROVE	NAME	DATE	TITLE
CHECK			DWG-NO
DESIGN			TB-x134x
DRAW			Rev.A
			UNIT : mm
			SCALE : 1/1