

AZ10ELT22 AZ100ELT22

Dual CMOS/TTL to Differential PECL Translator

FEATURES

- 0.5ns Typical Propagation Delay
- <100ps Typical Output to Output Skew
- Differential PECL Outputs
- Flow Through Pinouts
- Operating Range of 3.0V to 5.5V
- Direct Replacement for ON Semiconductor MC10ELT22 & MC100ELT22

PACKAGE AVAILABILITY

PACKAGE	PART NO.	MARKING
SOIC 8	AZ10ELT22D	AZM10ELT22
SOIC 8 T&R	AZ10ELT22DR1	AZM10ELT22
SOIC 8 T&R	AZ10ELT22DR2	AZM10ELT22
SOIC 8	AZ100ELT22D	AZM100ELT22
SOIC 8 T&R	AZ100ELT22DR1	AZM100ELT22
SOIC 8 T&R	AZ100ELT22DR2	AZM100ELT22
TSSOP 8	AZ10ELT22T	AZTLT22
TSSOP 8 T&R	AZ10ELT22TR1	AZTLT22
TSSOP 8 T&R	AZ10ELT22TR2	AZTLT22
TSSOP 8	AZ100ELT22T	AZHLT22
TSSOP 8 T&R	AZ100ELT22TR1	AZHLT22
TSSOP 8 T&R	AZ100ELT22TR2	AZHLT22

DESCRIPTION

The AZ10/100ELT22 is a dual CMOS/TTL to differential PECL translator. Because PECL (Positive ECL) levels are used, only V_{CC} and ground are required. The small outline packaging and the low skew, dual gate design of the ELT22 makes it ideal for applications that require the translation of a clock and a data signal.

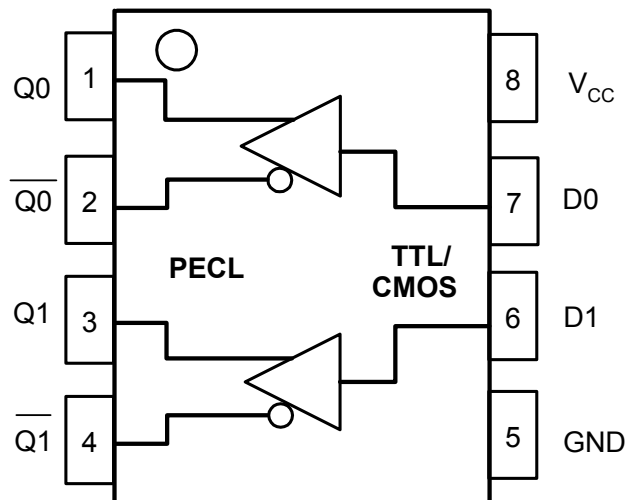
The ELT22 is available in both PECL standards: the 10ELT is compatible with PECL 10K logic levels while the 100ELT is compatible with PECL 100K logic levels.

NOTE: Specifications in PECL tables are valid when thermal equilibrium is established.

PIN DESCRIPTION

PIN	FUNCTION
Q0, $\overline{Q0}$ - Q1, $\overline{Q1}$	Differential PECL Outputs
D0, D1	CMOS/TTL Input
V_{CC}	Positive Supply
GND	Ground

LOGIC DIAGRAM AND PINOUT ASSIGNMENT



AZ10ELT22
AZ100ELT22

Absolute Maximum Ratings are those values beyond which device life may be impaired.

Symbol	Characteristic	Value	Unit
V _{CC}	DC Supply Voltage (Referenced to GND)	8.0	V
V _{IN}	Input Voltage	0 to 6.0	V
I _{OUT}	Current Applied to Output in Low Output State	---Continuous	50
		---Surge	100
T _A	Operating Temperature Range (In Free-Air)	-40 to +85	°C
T _{STG}	Storage Temperature Range	-65 to +150	°C

TTL/CMOS INPUT DC CHARACTERISTICS (GND = 0.0V, V_{CC} = +3.0V to +5.5V)

Symbol	Characteristic	Min	Typ	Max	Unit	Condition
I _{IH}	Input HIGH Current			15	μA	V _{IN} = 2.7V
I _{IH}	Input HIGH Current			20	μA	V _{IN} = V _{CC}
I _{IL}	Input LOW Current			-0.1	mA	V _{IN} = 0.5V
V _{IK}	Input Clamp Diode Voltage			-1.2	V	I _{IN} = -18mA
V _{IH}	Input HIGH Voltage	2.0			V	
V _{IL}	Input LOW Voltage			0.8	V	

10K LVPECL DC Characteristics GND = 0.0V, V_{CC} = +3.3V)

Symbol	Characteristic	-40°C			0°C			25°C			85°C			Unit
		Min	Typ	Max	Min	Typ	Max	Min	Typ	Max	Min	Typ	Max	
V _{OH}	Output HIGH Voltage ^{1,2}	2170		2410	2245		2460	2295	2400	2490	2390		2580	mV
V _{OL}	Output LOW Voltage ^{1,2}	1350		1685	1350		1670	1350	1550	1670	1350		1705	mV
I _{CC}	Power Supply Current ³			24			24			24			25	mA

- Output parameters vary 1:1 with V_{CC}.
- Each output is terminated through a 50Ω resistor to V_{CC} - 2V.
- I_{CC} measurements must be done with outputs open.

10K PECL DC Characteristics (GND = 0.0V, V_{CC} = +5.0V)

Symbol	Characteristic	-40°C			0°C			25°C			85°C			Unit
		Min	Typ	Max	Min	Typ	Max	Min	Typ	Max	Min	Typ	Max	
V _{OH}	Output HIGH Voltage ^{1,2}	3870		4110	3945		4160	3995	4100	4190	4090		4280	mV
V _{OL}	Output LOW Voltage ^{1,2}	3050		3385	3050		3370	3050	3250	3370	3050		3405	mV
I _{CC}	Power Supply Current ³			24			24			24			25	mA

- Output parameters vary 1:1 with V_{CC}.
- Each output is terminated through a 50Ω resistor to V_{CC} - 2V.
- I_{CC} measurements must be done with outputs open.

100K LVPECL DC Characteristics (GND = 0.0V, V_{CC} = +3.3V)

Symbol	Characteristic	-40°C			0°C			25°C			85°C			Unit
		Min	Typ	Max	Min	Typ	Max	Min	Typ	Max	Min	Typ	Max	
V _{OH}	Output HIGH Voltage ^{1,2}	2160		2420	2205		2420	2235	2345	2420	2255		2420	mV
V _{OL}	Output LOW Voltage ^{1,2}	1470		1745	1490		1680	1490	1595	1680	1490		1680	mV
I _{CC}	Power Supply Current ³			24			24			24			25	mA

- Output parameters vary 1:1 with V_{CC}.
- Each output is terminated through a 50Ω resistor to V_{CC} - 2V.
- I_{CC} measurements must be done with outputs open.

100K PECL DC Characteristics (GND = 0.0V, V_{CC} = +5.0V)

Symbol	Characteristic	-40°C			0°C			25°C			85°C			Unit
		Min	Typ	Max	Min	Typ	Max	Min	Typ	Max	Min	Typ	Max	
V _{OH}	Output HIGH Voltage ^{1,2}	3860		4120	3905		4120	3935	4045	4120	3955		4120	mV
V _{OL}	Output LOW Voltage ^{1,2}	3170		3445	3190		3380	3190	3295	3380	3190		3380	mV
I _{CC}	Power Supply Current ³			24			24			24			25	mA

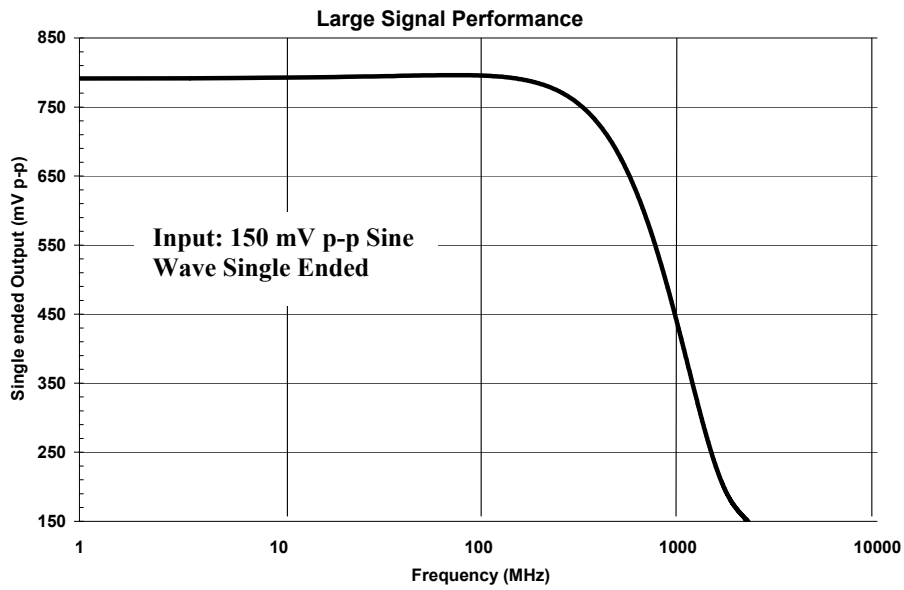
- Output parameters vary 1:1 with V_{CC}.
- Each output is terminated through a 50Ω resistor to V_{CC} - 2V.
- I_{CC} measurements must be done with outputs open.

AZ10ELT22
AZ100ELT22

AC Characteristics (GND = 0.0V, V_{CC} = +3.0V to +5.5V)

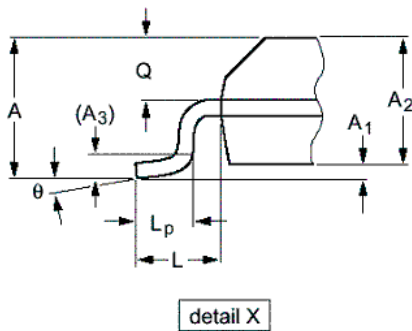
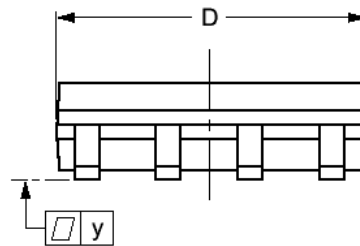
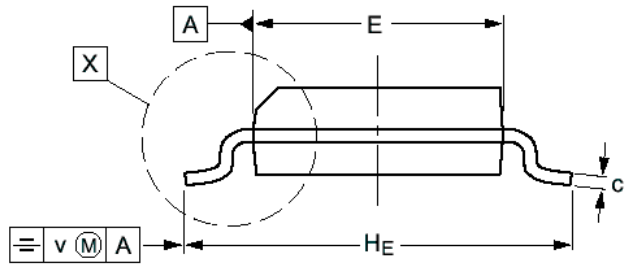
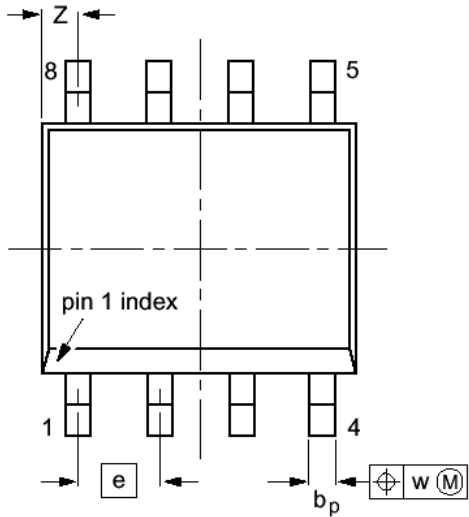
Symbol	Characteristic	-40°C		0°C		25°C			85°C		Unit	Condition
		Min	Max	Min	Max	Min	Typ	Max	Min	Max		
t _{PLH}	Propagation Delay ¹	0.2	0.7	0.2	0.7	0.2	0.4	0.7	0.2	0.7	ns	
t _{PHL}	Propagation Delay ¹	0.2	0.7	0.2	0.7	0.2	0.4	0.7	0.2	0.7	ns	
t _r /t _f	Output Rise/Fall Time	0.25	0.7	0.25	0.7	0.25		0.7	0.25	0.7	ns	20-80%
f _{MAX}	Maximum Frequency ²	350		350		350			350		MHz	
f _{MAX}	Maximum Frequency ³	670		800		800			800		MHz	

1. Propagation delay is measured from +1.5V on the input to 50% of the PECL output swing. Input rise/fall times are < 1ns/V.
2. Full swing PECL output.
3. Output at -3 dB



AZ10ELT22
AZ100ELT22

**PACKAGE DIAGRAM
SOIC 8**



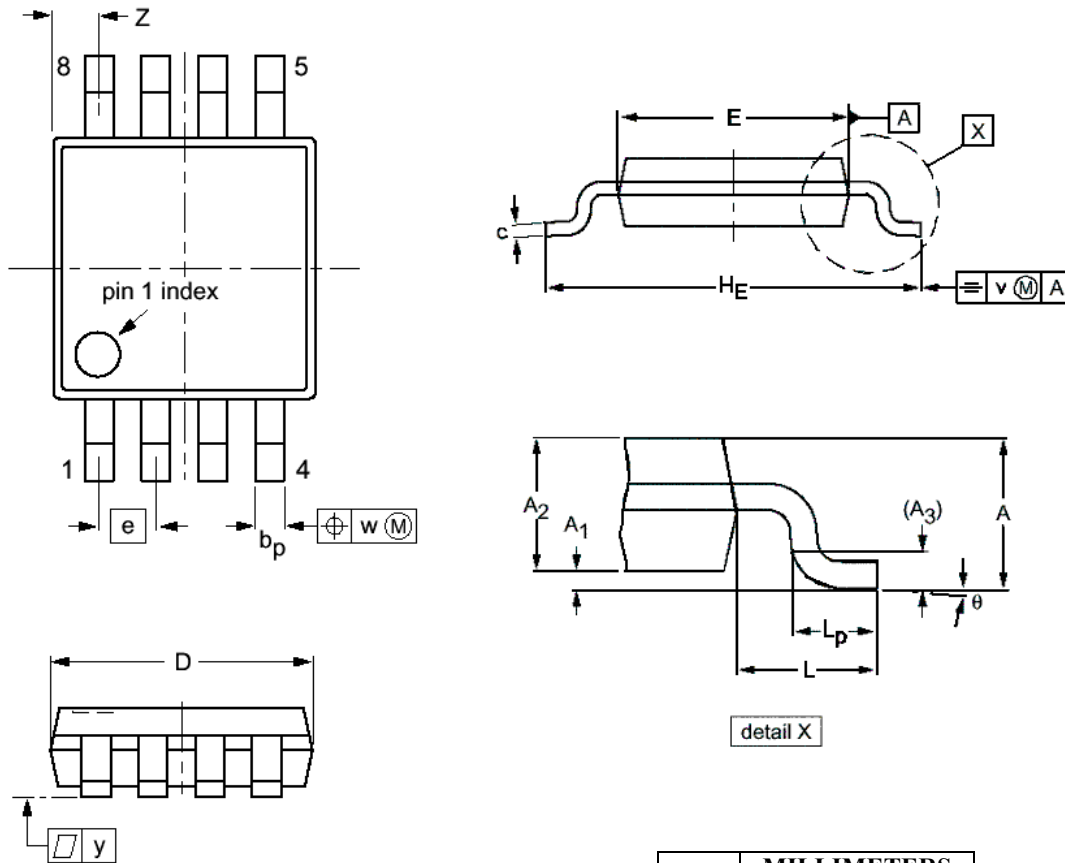
DIM	MILLIMETERS		INCHES	
	MIN	MAX	MIN	MAX
A	1.35	1.75	.053	0.069
A ₁	0.10	0.25	0.004	0.010
A ₂	1.28	1.57	0.050	0.062
A ₃	0.25		0.01	
b _p	0.36	0.49	0.014	0.019
c	0.19	0.25	0.0075	0.0100
D	4.80	5.00	0.19	0.20
E	3.80	4.00	0.15	0.16
e	1.27		0.050	
H _E	5.80	6.20	0.228	0.244
L	1.05		0.041	
L _p	0.40	1.27	0.016	0.050
Q	0.60	0.70	0.024	0.028
v	0.25		0.01	
w	0.25		0.01	
y	0.10		0.004	
Z	0.30	0.70	0.012	0.028
θ	0°	8°	0°	8°

NOTES:

1. DIMENSIONS D AND E DO NOT INCLUDE MOLD PROTRUSION.
2. MAXIMUM MOLD PROTRUSION FOR D IS 0.15mm.
3. MAXIMUM MOLD PROTRUSION FOR E IS 0.25mm.

AZ10ELT22
AZ100ELT22

**PACKAGE DIAGRAM
TSSOP 8**



NOTES:

1. DIMENSIONS D AND E DO NOT INCLUDE MOLD PROTRUSION.
2. MAXIMUM MOLD PROTRUSION FOR D IS 0.15mm.
3. MAXIMUM MOLD PROTRUSION FOR E IS 0.25mm.

DIM	MILLIMETERS	
	MIN	MAX
A		1.10
A ₁	0.05	0.15
A ₂	0.75	0.95
A ₃	0.25	
b _p	0.22	0.40
c	0.13	0.23
D	2.90	3.10
E	2.90	3.10
e	0.65	
H _E	4.75	5.05
L	0.95	
L _p	0.40	0.70
v	0.10	
w	0.08	
y	0.10	
Z	0.38	0.64
θ	0°	6°

AZ10ELT22
AZ100ELT22

Arizona Microtek, Inc. reserves the right to change circuitry and specifications at any time without prior notice. Arizona Microtek, Inc. makes no warranty, representation or guarantee regarding the suitability of its products for any particular purpose, nor does Arizona Microtek, Inc. assume any liability arising out of the application or use of any product or circuit and specifically disclaims any and all liability, including without limitation special, consequential or incidental damages. Arizona Microtek, Inc. does not convey any license rights nor the rights of others. Arizona Microtek, Inc. products are not designed, intended or authorized for use as components in systems intended to support or sustain life, or for any other application in which the failure of the Arizona Microtek, Inc. product could create a situation where personal injury or death may occur. Should Buyer purchase or use Arizona Microtek, Inc. products for any such unintended or unauthorized application, Buyer shall indemnify and hold Arizona Microtek, Inc. and its officers, employees, subsidiaries, affiliates, and distributors harmless against all claims, costs, damages, and expenses, and reasonable attorney fees arising out of, directly or indirectly, any claim of personal injury or death associated with such unintended or unauthorized use, even if such claim alleges that Arizona Microtek, Inc. was negligent regarding the design or manufacture of the part.