



FIBER OPTIC RECIVER MODULE

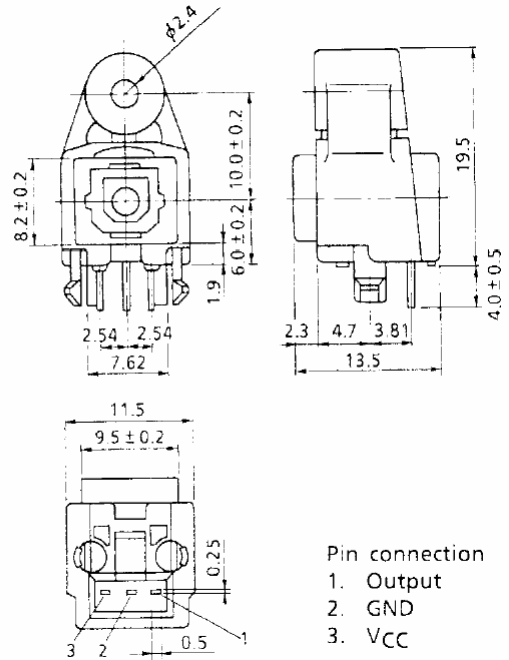
DIGITAL AUDIO INTERFACE

B200

Advance Information

Description

- Conforms to JEITA Standard CP- 1201 (For Digital Audio Interface including Fiber Optic inter- connections).
- A self- tapping hole for easy attachment to Audio Equipments panels..
- Similar Replacement to Toshiba TORX179



Absolute Maximum Ratings

Description	Symbol	Value	Unit
Power Supply Voltage	Vcc	7.0	V
Output Voltage	Vo	Vcc + 0.3	V
Storage Temperature	Tstg	-55 ~ +150	°C

Recommended Operating Conditions

Description	Signal	Condition	min	typ	max	Unit
Power Supply Voltage Range	Vcc Note 1	-	4.5	5.0	5.5	V
Operating Temperature Range	Topr	Tj < 135°C	-40		85	°C

Note 1 Each Vcc level will require different bias levels and therefore different IC. This function is Metal mask programmable Evaluation chip will be 5.0 V nominal

Advance Information- These data sheets contain descriptions of products that are in development. The specifications are based on the engineering calculations, computer simulations and/ or initial prototype evaluation.

Preliminary Information- These data sheets contain minimum and maximum specifications that are based on the initial device characterizations. These limits are subject to change upon the completion of the full characterization over the specified temperature and supply voltage ranges.

The application circuit examples are only to explain the representative applications of the devices and are not intended to guarantee any circuit design or permit any industrial property right to other rights to execute. Bay Linear takes no responsibility for any problems related to any industrial property right resulting from the use of the contents shown in the data book. Typical parameters can and do vary in different applications. Customer's technical experts must validate all operating parameters including "Typical" for each customer application.

LIFE SUPPORT AND NUCLEAR POLICY

Bay Linear products are not authorized for and should not be used within life support systems which are intended for surgical implants into the body to support or sustain life, in aircraft, space equipment, submarine, or nuclear facility applications without the specific written consent of Bay Linear President.
