

**IVC102**

## PRECISION SWITCHED INTEGRATOR TRANSIMPEDANCE AMPLIFIER

### APPLICATIONS

- PRECISION LOW CURRENT MEASUREMENT
- PHOTODIODE MEASUREMENTS
- IONIZATION CHAMBER MEASUREMENTS
- CURRENT/CHARGE-OUTPUT SENSORS
- LEAKAGE CURRENT MEASUREMENT

### FEATURES

- ON-CHIP INTEGRATING CAPACITORS
- GAIN PROGRAMMED BY TIMING
- LOW INPUT BIAS CURRENT: 750fA max
- LOW NOISE
- LOW SWITCH CHARGE INJECTION
- FAST PULSE INTEGRATION
- LOW NONLINEARITY: 0.005% typ
- 14-PIN DIP, SO-14 SURFACE MOUNT

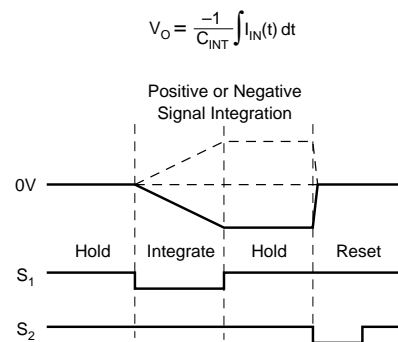
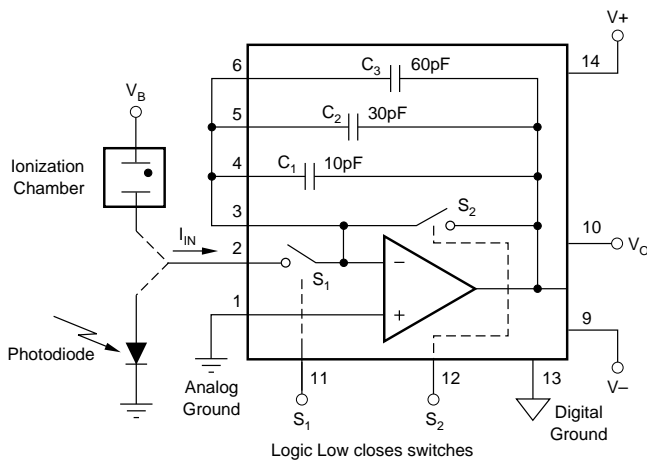
### DESCRIPTION

The IVC102 is a precision integrating amplifier with FET op amp, integrating capacitors, and low leakage FET switches. It integrates low-level input current for a user-determined period, storing the resulting voltage on the integrating capacitor. The output voltage can be held for accurate measurement. The IVC102 provides a precision, lower noise alternative to conventional transimpedance op amp circuits that require a very high value feedback resistor.

The IVC102 is ideal for amplifying low-level sensor currents from photodiodes and ionization chambers. The input signal current can be positive or negative.

TTL/CMOS-compatible timing inputs control the integration period, hold and reset functions to set the effective transimpedance gain and to reset (discharge) the integrator capacitor.

Package options include 14-Pin plastic DIP and SO-14 surface-mount packages. Both are specified for the -40°C to 85°C industrial temperature range.



International Airport Industrial Park • Mailing Address: P.O. Box 11400 • Tucson, AZ 85734 • Street Address: 6730 S. Tucson Blvd. • Tucson, AZ 85706  
Tel: (520) 746-1111 • Tlx: 910-952-1111 • Cable: BURROPC • Telex: 066-6491 • FAX: (520) 889-1510 • Immediate Product Info: (800) 548-6132

# SPECIFICATIONS

At  $T_A = +25^\circ\text{C}$ ,  $V_S = \pm 15\text{V}$ ,  $R_L = 2\text{k}\Omega$ ,  $C_{\text{INT}} = C_1 + C_2 + C_3$ , 1ms integration period<sup>(1)</sup>, unless otherwise specified.

PARAMETER	CONDITIONS	IVC102P, U			UNITS
		MIN	TYP	MAX	
<b>TRANSFER FUNCTION</b> Gain Error vs Temperature Nonlinearity Input Current Range Offset Voltage <sup>(2)</sup> vs Temperature vs Power Supply Droop Rate, Hold Mode	$C_{\text{INT}} = C_1 + C_2 + C_3$  $V_O = \pm 10\text{V}$  $I_{\text{IN}} = 0$ , $C_{\text{IN}} = 50\text{pF}$  $V_S = +4.75/-10$ to $+18/-18\text{V}$	$V_O = -(I_{\text{IN}})(T_{\text{INT}})/C_{\text{INT}}$			% ppm/ $^\circ\text{C}$ % $\mu\text{A}$ mV $\mu\text{V}/^\circ\text{C}$ $\mu\text{V}/\text{V}$ nV/ $\mu\text{s}$
<b>OP AMP</b> Input Bias Current vs Temperature Offset Voltage (Op Amp $V_{\text{OS}}$ ) vs Temperature vs Power Supply Noise Voltage	$S_1$ , $S_2$ Open   $V_S = +4.75/-10$ to $+18/-18\text{V}$ $f = 1\text{kHz}$	See Typical Curve			fA mV $\mu\text{V}/^\circ\text{C}$ $\mu\text{V}/\text{V}$ nV/ $\sqrt{\text{Hz}}$
<b>INTEGRATION CAPACITORS</b> $C_1 + C_2 + C_3$ vs Temperature $C_1$ $C_2$ $C_3$		80	100 $\pm 25$ 10 30 60	120	pF ppm/ $^\circ\text{C}$ pF pF pF
<b>OUTPUT</b> Voltage Range, Positive Negative Short-Circuit Current Capacitive Load Drive Noise Voltage	$R_L = 2\text{k}\Omega$ $R_L = 2\text{k}\Omega$	(V+)-3 (V-)+3	(V+)-1.3 (V-)+2.6 $\pm 20$ 500		V V mA pF
<b>DYNAMIC CHARACTERISTIC</b> Op Amp Gain-Bandwidth Op Amp Slew Rate Reset Slew Rate Settling Time, 0.01%	   10V Step		2 3  3 6		MHz V/ $\mu\text{s}$  V/ $\mu\text{s}$ $\mu\text{s}$
<b>DIGITAL INPUTS</b> $V_{\text{IH}}$ (referred to digital ground) $V_{\text{IL}}$ (referred to digital ground) $I_{\text{IH}}$ $I_{\text{IL}}$ Switching Time	(TTL/CMOS Compatible) (Logic High) (Logic Low) $V_{\text{IH}} = 5\text{V}$ $V_{\text{IL}} = 0\text{V}$	2 -0.5	 2 0 100	5.5 0.8	V V $\mu\text{A}$ $\mu\text{A}$ ns
<b>POWER SUPPLY</b> Voltage Range: Positive Negative Current: Positive Negative Analog Ground Digital Ground		+4.75 -10	+15 -15 4.1 -1.6 -0.2 -2.3	+18 -18 5.5 -2.2	V V mA mA mA mA
<b>TEMPERATURE RANGE</b> Operating Range Storage Thermal Resistance, $\theta_{\text{JA}}$ DIP SO-14		-40 -55	 100 150	85 125	$^\circ\text{C}$ $^\circ\text{C}$  $^\circ\text{C}/\text{W}$ $^\circ\text{C}/\text{W}$

NOTES: (1) Standard test timing: 1ms integration, 200 $\mu\text{s}$  hold, 100 $\mu\text{s}$  reset. (2) Hold mode output voltage after 1ms integration of zero input current. Includes op amp offset voltage, integration of input error current and switch charge injection effects.

The information provided herein is believed to be reliable; however, BURR-BROWN assumes no responsibility for inaccuracies or omissions. BURR-BROWN assumes no responsibility for the use of this information, and all use of such information shall be entirely at the user's own risk. Prices and specifications are subject to change without notice. No patent rights or licenses to any of the circuits described herein are implied or granted to any third party. BURR-BROWN does not authorize or warrant any BURR-BROWN product for use in life support devices and/or systems.

## ABSOLUTE MAXIMUM RATINGS

Supply Voltage, V+ to V- .....	36V
Logic Input Voltage .....	V- to V+
Output Short Circuit to Ground .....	Continuous
Operating Temperature .....	-40°C to +125°C
Storage Temperature .....	-55°C to +125°C
Lead Temperature (soldering, 10s) .....	300°C

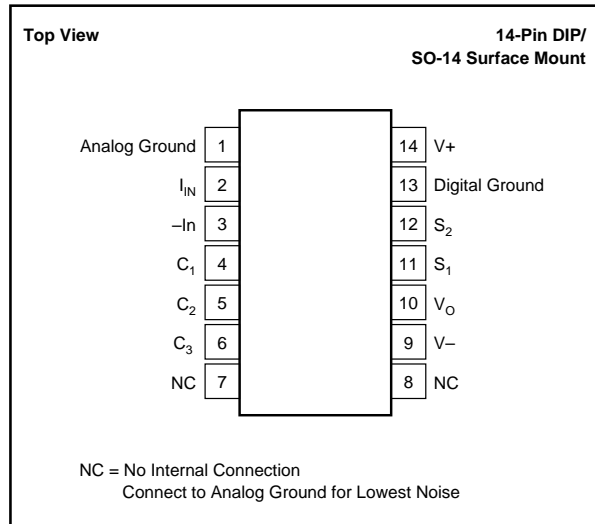


## ELECTROSTATIC DISCHARGE SENSITIVITY

This integrated circuit can be damaged by ESD. Burr-Brown recommends that all integrated circuits be handled with appropriate precautions. Failure to observe proper handling and installation procedures can cause damage.

ESD damage can range from subtle performance degradation to complete device failure. Precision integrated circuits may be more susceptible to damage because very small parametric changes could cause the device not to meet its published specifications.

## PIN CONNECTIONS



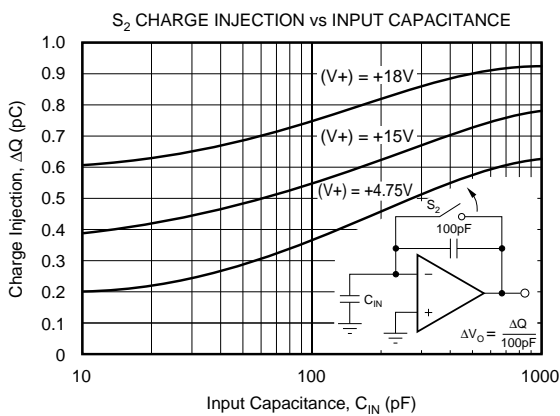
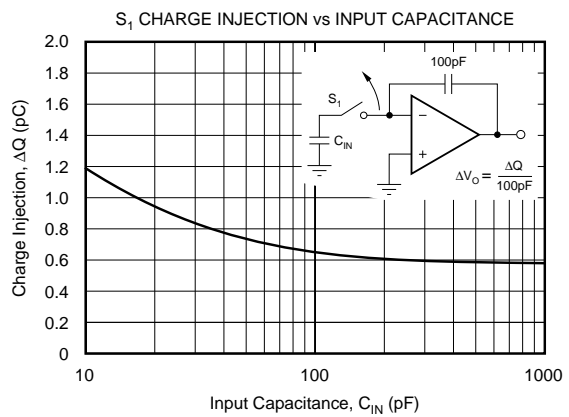
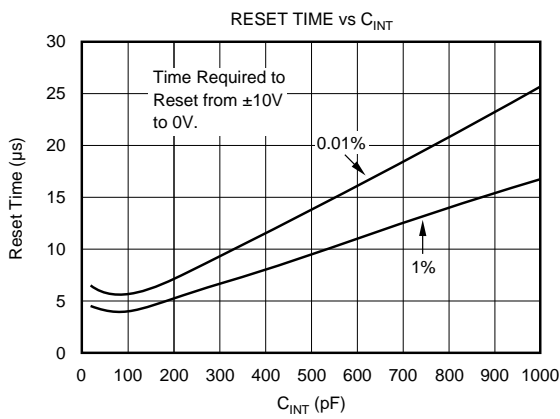
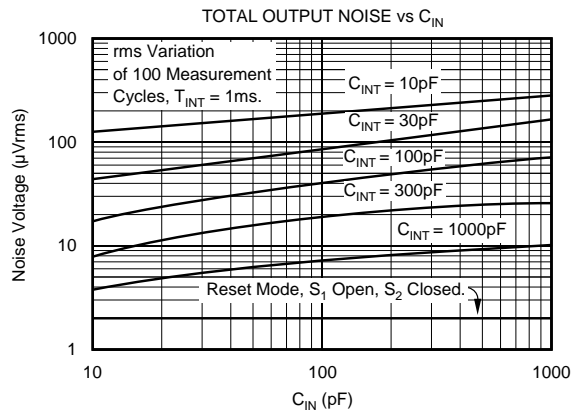
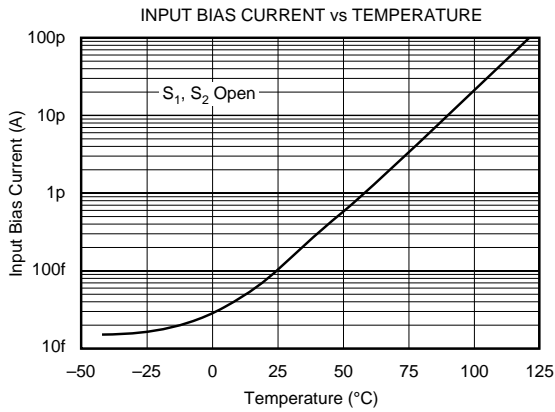
## PACKAGE INFORMATION

PRODUCT	PACKAGE	PACKAGE DRAWING NUMBER <sup>(1)</sup>
IVC102P	14-Pin DIP	010
IVC102U	SO-14 Surface Mount	235

NOTE: (1) For detailed drawing and dimension table, please see end of data sheet, or Appendix D of Burr-Brown IC Data Book.

# TYPICAL PERFORMANCE CURVES

At  $T_A = +25^\circ\text{C}$ ,  $V_S = \pm 15\text{V}$ ,  $R_L = 2\text{k}\Omega$ ,  $C_{INT} = C_1 + C_2 + C_3$ , 1ms integration period, unless otherwise specified.



## APPLICATION INFORMATION

Figure 1 shows the basic circuit connections to operate the IVC102. Bypass capacitors are shown connected to the power supply pins. Noisy power supplies should be avoided or decoupled and carefully bypassed.

The Analog Ground terminal, pin 1, is shown internally connected to the non-inverting input of the op amp. This terminal connects to other internal circuitry and should be connected to ground. Approximately 200 $\mu$ A flows out of this terminal.

Digital Ground, pin 13, should be at the same voltage potential as analog ground (within 100mV). Analog and Digital grounds should be connected at some point in the system, usually at the power supply connections to the circuit board. A separate Digital Ground is provided so that noisy logic signals can be referenced to separate circuit board traces.

Integrator capacitors  $C_1$ ,  $C_2$  and  $C_3$  are shown connected in parallel for a total  $C_{INT} = 100$ pF. The IVC102 can be used for a wide variety of integrating current measurements. The input signal connections and control timing and  $C_{INT}$  value will depend on the sensor or signal type and other application details.

## BASIC RESET-AND-INTEGRATE MEASUREMENT

Figure 1 shows the circuit and timing for a simple reset-and-integrate measurement. The input current is connected directly to the inverting input of the IVC102, pin 3. Input current is shown flowing out of pin 3, which produces a positive-going ramp at  $V_O$ . Current flowing into pin 3 would produce a negative-going ramp.

A measurement cycle starts by resetting the integrator output voltage to 0V by closing  $S_2$  for 10 $\mu$ s. Integration of the input current begins when  $S_2$  opens and the input current begins to charge  $C_{INT}$ .  $V_O$  is measured with a sampling a/d converter at the end of an integration period, just prior to the next reset period. The ideal result is proportional to the average input current (or total accumulated charge).

Switch  $S_2$  is again closed to reset the integrator output to 0V before the next integration period.

This simple measurement arrangement is suited to many applications. There are, however, limitations to this basic approach. Input current continues to flow through  $S_2$  during the reset period. This leaves a small voltage on  $C_{INT}$  equal to the input current times  $R_{S2}$ , the on-resistance of  $S_2$ , approximately 1.5k $\Omega$ .

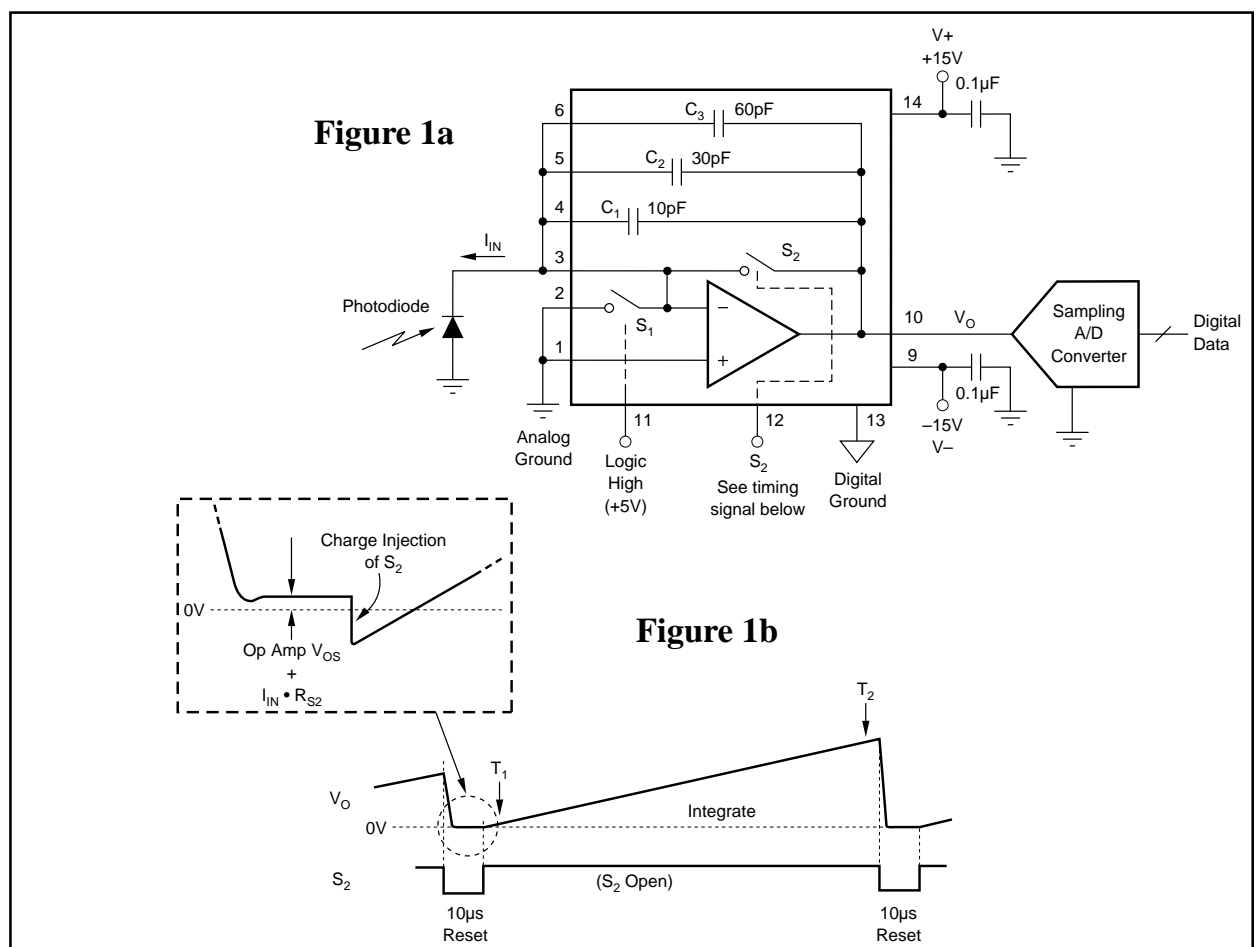


FIGURE 1. Reset-and Integrate Connections and Timing.

In addition, the offset voltage of the internal op amp and charge injection of  $S_2$  contribute to the voltage on  $C_{INT}$  at the start of integration.

Performance of this basic approach can be improved by sampling  $V_O$  after the reset period at  $T_1$  and subtracting this

measurement from the final sample at  $T_2$ . Op amp offset voltage, charge injection effects and  $I \cdot R_{S2}$  offset voltage on  $S_2$  are removed with this two-point measurement. The effective integration period is the time between the two measurements,  $T_2 - T_1$ .

## COMPARISON TO CONVENTIONAL TRANSIMPEDANCE AMPLIFIERS

With the conventional transimpedance amplifier circuit of Figure 2a, input current flows through the feedback resistor,  $R_F$ , to create a proportional output voltage.

$$V_O = -I_{IN} R_F$$

The transimpedance gain is determined by  $R_F$ . Very large values of  $R_F$  are required to measure very small signal current. Feedback resistor values exceeding 100M $\Omega$  are common.

The IVC102 (Figure 2b) provides a similar function, converting an input current to an output voltage. The input current flows through the feedback capacitor,  $C_{INT}$ , charging it at a rate that is proportional to the input current. With a constant input current, the IVC102's output voltage is

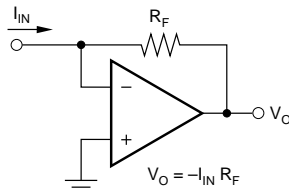
$$V_O = -I_{IN} T_{INT} / C_{INT}$$

after an integration time of  $T_{INT}$ .

$V_O$  is proportional to the integration time,  $T_{INT}$ , and inversely proportional to the feedback capacitor,  $C_{INT}$ . The effective transimpedance gain is  $T_{INT} / C_{INT}$ . Extremely high gain that would be impractical to achieve with a conventional transimpedance amplifier can be achieved with small integration capacitor values and/or long integration times. For example the IVC102 with  $C_{INT} = 100\text{pF}$  and  $T_{INT} = 100\text{ms}$  provides an effective transimpedance of 1G $\Omega$ . A 10nA input current would produce a 10V output after 100ms integration.

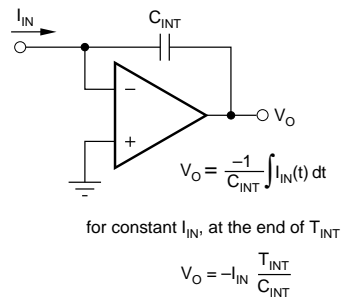
The integrating behavior of the IVC102 reduces noise by averaging the input noise of the sensor, amplifier, and external sources.

**Conventional Transimpedance Amplifier**  
Figure 2a



Provides time-continuous output voltage proportional to  $I_{IN}$ .

**Integrating Transimpedance Amplifier**  
Figure 2b



Output voltage after integration period is proportional to average  $I_{IN}$  throughout the period.

FIGURE 2. Comparison to a Conventional Transimpedance Amplifier.

## CURRENT-OUTPUT SENSORS

Figure 3 shows a model for many current-output sensors such as photodiodes and ionization chambers. Sensor output is a signal-dependent current with a very high source resistance. The output is generally loaded into a low impedance

so that the terminal voltage is kept very low. Typical sensor capacitance values range from 10pF to over 100pF. This capacitance plays a key role in operation of the switched-input measurement technique (see next section).

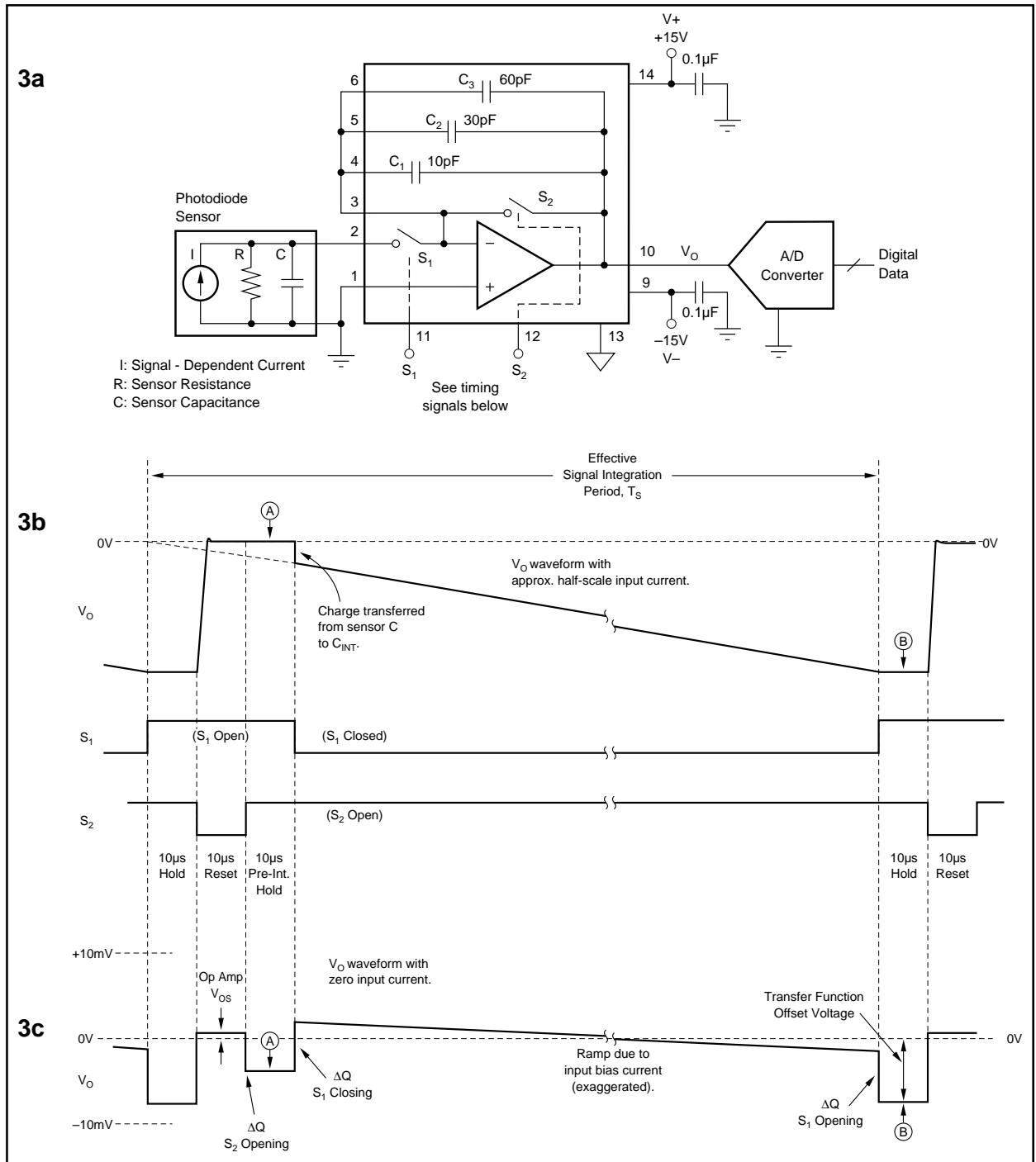


FIGURE 3. Switched-Input Measurement Technique.

### SWITCHED-INPUT MEASUREMENT TECHNIQUE

While the basic reset-and-integrate measurement arrangement in Figure 1 is satisfactory for many applications, the switched-input timing technique shown in Figure 3 has important advantages. This method can provide continuous integration of the input signal. Furthermore, it can hold the output voltage constant after integration for stable conversion (desirable for a/d converter without a sample/hold).

Input connections and timing are shown in Figure 3.

The timing diagram, Figure 3b, shows that  $S_1$  is closed only when  $S_2$  is open. During the short period that  $S_1$  is open (30µs in this timing example), any signal current produced by the sensor will charge the sensor's source capacitance. This charge is then transferred to  $C_{INT}$  when  $S_1$  is closed. As a result, no charge produced by the sensor is lost and the input signal is continuously integrated. Even fast input pulses are accurately integrated.

The input current,  $I_{IN}$ , is shown as a conventional current flowing into pin 2 in this diagram but the input current could be bipolar (positive or negative). Current flowing out of pin 2 would produce a positive-ramping  $V_O$ .

The timing sequence proceeds as follows:

### Reset Period

The integrator is reset by closing switch  $S_2$  with  $S_1$  open. A  $10\mu\text{s}$  reset time is recommended to allow the op amp to slew to  $0\text{V}$  and settle to its final value.

### Pre-Integration Hold

$S_2$  is opened, holding  $V_O$  constant for  $10\mu\text{s}$  prior to integration. This pre-integration hold period assures that  $S_2$  is fully open before  $S_1$  is closed so that no input signal is lost. A minimum of  $1\mu\text{s}$  is recommended to avoid switching overlap. The  $10\mu\text{s}$  hold period shown in Figure 3b also allows an a/d converter measurement to be made at point A. The purpose of this measurement at A is discussed in the “Offset Errors” section.

### Integration on $C_{INT}$

Integration of the input current on  $C_{INT}$  begins when  $S_1$  is closed. An immediate step output voltage change occurs as the charge that was stored on the input sensor capacitance is transferred to  $C_{INT}$ . Although this period of charging  $C_{INT}$  occurs only while  $S_1$  is closed, the charge transferred as  $S_1$  is closed causes the *effective* integration time to be equal to the complete conversion period—see Figure 3b.

The integration period could range from  $100\mu\text{s}$  to many minutes, depending on the input current and  $C_{INT}$  value. While  $S_1$  is closed,  $I_{IN}$  charges  $C_{INT}$ , producing a negative-going ramp at the integrator output voltage,  $V_O$ . The output voltage at the end of integration is proportional to the average input current throughout the complete conversion cycle, including the integration period, reset and both hold periods.

### Hold Period

Opening  $S_1$  halts integration on  $C_{INT}$ . Approximately  $5\mu\text{s}$  after  $S_1$  is opened, the output voltage is stable and can be measured (at point B). The hold period is  $10\mu\text{s}$  in this example.  $C_{INT}$  remains charged until a  $S_2$  is again closed, to reset for the next conversion cycle.

In this timing example,  $S_1$  is open for a total of  $30\mu\text{s}$ . During this time, signal current from the sensor charges the sensor source capacitance. Care should be used to assure that the voltage developed on the sensor does not exceed approximately  $200\text{mV}$  during this time. The  $I_{IN}$  terminal, pin 2, is internally clamped with diodes. If these diodes forward bias, signal current will flow to ground and will not be accurately integrated.

A maximum of  $333\text{nA}$  signal current could be accurately integrated on a  $50\text{pF}$  sensor capacitance for  $30\mu\text{s}$  before  $200\text{mV}$  would be developed on the sensor.

$$I_{MAX} = (50\text{pF}) (200\text{mV}) / 30\mu\text{s} = 333\text{nA}$$

## OFFSET ERRORS

Figure 3c shows the effect on  $V_O$  due to op amp input offset voltage, input bias current and switch charge injection. It assumes zero input current from the sensor. The various offsets and charge injection ( $\Delta Q$ ) jumps shown are typical of that seen with a  $50\text{pF}$  source capacitance. The specified “transfer function offset voltage” is the voltage measured during the hold period at B. Transfer function offset voltage is dominated by the charge injection of  $S_2$  opening and op amp  $V_{OS}$ . The opening and closing charge injections of  $S_1$  are very nearly equal and opposite and are not significant contributors.

Note that using a two-point difference measurement at A and B can dramatically reduce offset due to op amp  $V_{OS}$  and  $S_2$  charge injection. The remaining offset with this B-A measurement is due to op amp input bias current charging  $C_{INT}$ . This error is usually very small and is exaggerated in the figure.

## DIGITAL SWITCH INPUTS

The digital control inputs to  $S_1$  and  $S_2$  are compatible with standard CMOS or TTL logic. Logic input pins 11 and 12 are high impedance and the threshold is approximately  $1.4\text{V}$  relative to Digital Ground, pin 13. A logic “low” closes the switch.

Use care in routing these logic signals to their respective input pins. Capacitive coupling of logic transitions to sensitive input nodes (pins 2 through 6) and to the positive power supply (pin 14) will dramatically increase charge injection and produce errors. Route these circuit board traces over a ground plane (digital ground) and route digital ground traces between logic traces and other critical traces for lowest charge injection. See Figure 4.

$5\text{V}$  logic levels are generally satisfactory. Lower voltage logic levels may help reduce charge injection errors, depending on circuit layout. Logic high voltages greater than  $5.5\text{V}$ , or higher than the  $V+$  supply are not recommended.

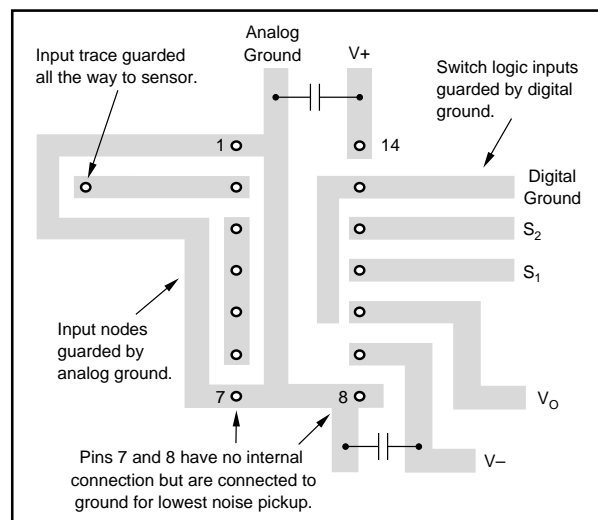


FIGURE 4. Circuit Board Layout Techniques.



## INPUT BIAS CURRENT ERRORS

Careful circuit board layout and assembly techniques are required to achieve the very low input bias current capability of the IVC102. The critical input connections are at ground potential, so analog ground should be used as a circuit board guard trace surrounding all critical nodes. These include pins 2, 3, 4, 5 and 6. See Figure 4.

Input bias current increases with temperature—see typical performance curve Input Bias Current vs Temperature.

## HOLD MODE DROOP

Hold-mode droop is a slow change in output voltage primarily due to op amp input bias current. Droop is specified using the internal  $C_{INT} = 100\text{pF}$  and is based on a  $-100\text{fA}$  typical input bias current. Current flows out of the inverting input of the internal op amp.

$$\text{Droop Rate} = \frac{-100\text{fA}}{C_{INT}}$$

With  $C_{INT} = 100\text{pF}$ , the droop rate is typically only  $1\text{nV}/\mu\text{s}$ —slow enough that it rarely contributes significant error at moderate temperatures.

Since the input bias current increases with temperature, the droop rate will also increase with temperature. The droop rate will approximately double for each  $10^\circ\text{C}$  increase in junction temperature—see typical curves.

Droop rate is inversely proportional to  $C_{INT}$ . If an external integrator capacitor is used, a low leakage capacitor should be selected to preserve the low droop performance of the IVC102.

## INPUT CURRENT RANGE

Extremely low input currents can be measured by integrating for long periods and/or using a small value for  $C_{INT}$ . Input bias current of the internal op amp is the primary source of error.

Larger input currents can be measured by increasing the value of  $C_{INT}$  and/or using a shorter integration time. Input currents greater than  $200\mu\text{A}$  should not be applied to the pin 2 input, however. The approximately  $1.5\text{k}\Omega$  series resistance of  $S_1$  will create an input voltage at pin 2 that will begin to forward-bias internal protection clamp diodes. Any current that flows through these protection diodes will not be accurately integrated. See “Input Impedance” section for more information on input current-induced voltage.

Input current greater than  $200\mu\text{A}$  can, however, be connected directly to pin 3, using the simple reset-integrate technique shown in Figure 1. Current applied at this input can be externally switched to avoid excessive  $I \cdot R$  voltage across  $S_2$  during reset. Inputs up to  $5\text{mA}$  at pin 3 can be accurately integrated if  $C_{INT}$  is made large enough to limit slew rate to less than  $1\text{V}/\mu\text{s}$ . A  $5\text{mA}$  input current would require  $C_{INT} = 5\text{nF}$  to produce a  $1\text{V}/\mu\text{s}$  slew rate. The input current appears as load current to the internal op amp, reducing its ability to drive an external load.

## CHOOSING $C_{INT}$

Internal capacitors  $C_1$ ,  $C_2$  and  $C_3$  are high quality metal/oxide types with low leakage and excellent dielectric characteristics. Temperature stability is excellent—see typical curve. They can be connected for  $C_{INT} = 10\text{pF}$ ,  $30\text{pF}$ ,  $40\text{pF}$ ,  $60\text{pF}$ ,  $70\text{pF}$ ,  $90\text{pF}$  or  $100\text{pF}$ . Connect unused internal capacitor pins to analog ground. Accuracy is  $\pm 20\%$ , which directly influences the gain of the transfer function.

A larger value external  $C_{INT}$  can be connected between pins 3 and 10 for slower/longer integration. Select a capacitor type with low leakage and good temperature stability. Teflon®, polystyrene or polypropylene capacitors generally provide excellent leakage, temperature drift and voltage coefficient characteristics. Lower cost types such as NPO ceramic, mica or glass may be adequate for many applications. Larger values for  $C_{INT}$  require a longer reset time—see typical curves.

## FREQUENCY RESPONSE

Integration of the input signal for a fixed period produces a deep null (zero response) at the frequency  $1/T_{INT}$  and its harmonics. An ac input current at this frequency (or its harmonics) has zero average value and therefore produces no output. This property can be used to position response nulls at critical frequencies. For example, a  $16.67\text{ms}$  integration period produces response nulls at  $60\text{Hz}$ ,  $120\text{Hz}$ ,  $180\text{Hz}$ , etc., which will reject ac line frequency noise and its harmonics. Response nulls can be positioned to reduce interference from system clocks or other periodic noise.

Response to all frequencies above  $f = 1/T_{INT}$  falls at  $-20\text{dB}/\text{decade}$ . The effective corner frequency of this single-pole response is approximately  $1/2.8T_{INT}$ .

For the simple reset-and-integrate measurement technique,  $T_{INT}$  is equal to the time that  $S_2$  is open. The switched-input technique, however, effectively integrates the input signal throughout the full measurement cycle, including the reset period and both hold periods. Using the timing shown in Figure 3, the *effective* integration time is  $1/T_s$ , where  $T_s$  is the repetition rate of the sampling.

## INPUT IMPEDANCE

The input impedance of a perfect transimpedance circuit is zero ohms. The input voltage ideally would be zero for any input current. The actual input voltage when directly driving the integrator input (pin 3) is proportional to the output slew rate of the integrator. A  $1\text{V}/\mu\text{s}$  slew rate produces approximately  $100\text{mV}$  at pin 3. The input of the integrator can be modeled as a resistance:

$$R_{IN} = 10^{-7}/C_{INT} \quad (2)$$

with  $R_{IN}$  in  $\Omega$  and  $C_{INT}$  in Farads.

Using the internal  $C_{INT} = C_1 + C_2 + C_3 = 100\text{pF}$  (3)

$$R_{IN} = 10^{-7}/100\text{pF} = 1\text{k}\Omega$$

Teflon® E. I. Du Pont de Nemours & Co.

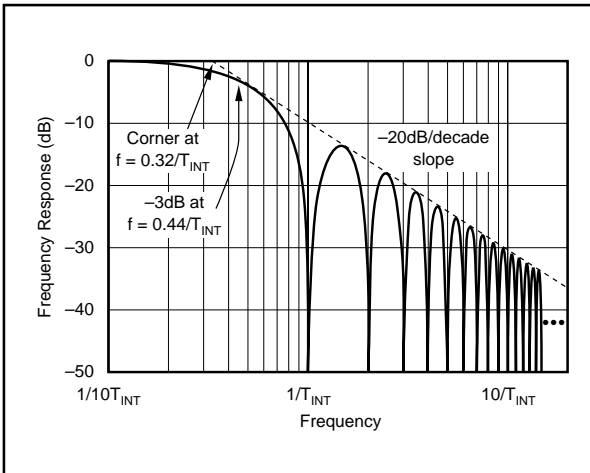


FIGURE 5. Frequency Response of Integrating Converter.

The input resistance seen at pin 2 includes an additional 1.5kΩ, the on-resistance of S<sub>1</sub>. The total input resistance is the sum of the switch resistance and R<sub>IN</sub>, or 2.5kΩ in this example.

Slew rate limit of the internal op amp is approximately 3V/μs. For most applications, the slew rate of V<sub>OUT</sub> should be limited to 1V/μs or less. The rate of change is proportional to I<sub>IN</sub> and inversely proportional to C<sub>INT</sub>:

$$\text{Slew Rate} = \frac{I_{IN}}{C_{INT}}$$

This can be important in some applications since the slew-induced input voltage is applied to the sensor or signal source. The slew-induced input voltage can be reduced by increasing C<sub>INT</sub>, which reduces the output slew rate.

### NONLINEARITY

Careful nonlinearity measurements of the IVC102 yield typical results of approximately ±0.005% using the internal input capacitors (C<sub>INT</sub> = 100pF). Nonlinearity will be degraded by using an external integrator capacitor with poor voltage coefficient. Performance with the internal capacitors is typically equal or better than the sensors it is used to measure. Actual application circuits with sensors such as a photodiode may have other sources of nonlinearity.