



VSP3100

For most current data sheet and other product information, visit www.burr-brown.com

14-Bit, 10MHz CCD/CIS SIGNAL PROCESSOR

FEATURES

- **INTEGRATED TRIPLE-CORRELATED DOUBLE SAMPLER**
- **OPERATION MODE SELECTABLE: 1-Channel, 3-Channel, 10MSPS (typ), CCD/CIS Mode**
- **PROGRAMMABLE GAIN AMPLIFIER: 0dB to +13dB**
- **SELECTABLE OUTPUT MODES: Normal/Demultiplexed**
- **OFFSET CONTROL RANGE: $\pm 400\text{mV}$**
- **+3V, +5V Digital Output**
- **LOW POWER: 450mW (typ)**
- **LQFP-48 SURFACE-MOUNT PACKAGE**

DESCRIPTION

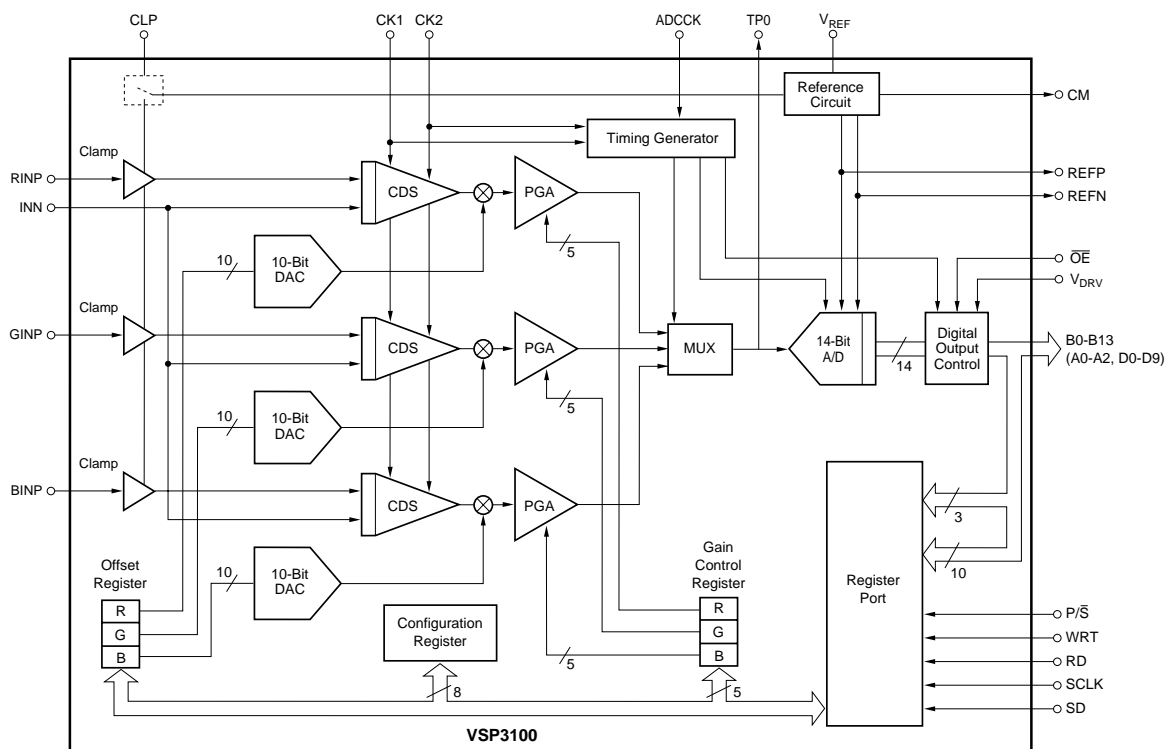
The VSP3100 is a complete CCD/CIS image processor which operates from a single +5V supply.

This complete image processor includes three Correlated Double Samplers (CDS) and Programmable Gain Amplifiers (PGA) to process CCD signals.

These three channel inputs also allow Contact Image Sensor (CIS) inputs.

The VSP3100 is an interface compatible with the VSP3000 which is 12-bit one-chip product.

The VSP3100 can be operated from 0°C to +85°C and is available in an LQFP-48 package.



International Airport Industrial Park • Mailing Address: PO Box 11400, Tucson, AZ 85734 • Street Address: 6730 S. Tucson Blvd., Tucson, AZ 85706 • Tel: (520) 746-1111
 Twx: 910-952-1111 • Internet: <http://www.burr-brown.com/> • Cable: BBRCORP • Telex: 066-6491 • FAX: (520) 889-1510 • Immediate Product Info: (800) 548-6132

SPECIFICATIONS

At T_A = full specified temperature range, $V_{CC} = +5V$, $f_{ADCK} = 6MHz$, $f_{CK1} = 2MHz$, $f_{CK2} = 2MHz$, PGA gain = 1, normal output mode, no output load, unless otherwise specified.

| PARAMETER | CONDITIONS | VSP3100Y | | | UNITS |
|--|-----------------------------|------------|---------------------------|----------------|---------------|
| | | MIN | TYP | MAX | |
| RESOLUTION | | | 14 | | Bits |
| CONVERSION CHARACTERISTICS | | | | | |
| 1-, 3-Channel CDS Mode | | 10 | | | MSPS |
| 1-, 3-Channel CIS Mode | | 10 | | | MSPS |
| DIGITAL INPUTS | | | | | |
| Logic Family | | | CMOS | | |
| Convert Command | Start Conversion | | Rising Edge of ADCK Clock | | |
| High Level Input Current ($V_{IN} = V_{CC}$) | | | | 20 | μA |
| Low Level Input Current ($V_{IN} = 0V$) | | | | 20 | μA |
| Positive-Going Threshold Voltage | Pins 18, 19, 20, 21, 22, 24 | | | 3.80 | V |
| Negative-Going Threshold Voltage | Pins 18, 19, 20, 21, 22, 24 | 1.25 | | | V |
| Positive-Going Threshold Voltage | Pins 12, 14, 15, 16 | | | 2.20 | V |
| Negative-Going Threshold Voltage | Pins 12, 14, 15, 16 | 0.80 | | | V |
| Input Capacitance | | | 5 | | pF |
| ANALOG INPUTS | | | | | |
| Full-Scale Input Range | | 0.5 | | 3.5 | Vp-p |
| Input Capacitance | | | 10 | | pF |
| Input Limits | | AGND - 0.3 | | $V_{CC} + 0.3$ | V |
| External Reference Voltage Range | | 0.25 | | 0.3 | V |
| Reference Input Resistance | | | 800 | | Ω |
| DYNAMIC CHARACTERISTICS | | | | | |
| Integral Non-Linearity (INL) | | | ± 4.0 | | LSB |
| Differential Non-Linearity (DNL) | | | 0.5 | | LSB |
| No Missing Codes | | | Guaranteed | | Bits |
| Output Noise | Gain = 0dB, Input Grounded | | 0.5 | | LSBs rms |
| PSRR | | | 0.04 | | % FSR |
| DC ACCURACY | | | | | |
| Zero Error | Gain = 0dB | | 0.8 | | % FS |
| Gain Error | Gain = 0dB | | 1.5 | | % FS |
| DIGITAL OUTPUTS | | | | | |
| Logic Family | | | TTL/HCT | | |
| Logic Coding | | | Straight Offset Binary | | |
| Digital Data Output Rate, Max | Normal Mode | | 10 | | MHz |
| | Demultiplexed Mode | | 10 | | MHz |
| V_{DRV} Supply Range | | +2.7 | | +5.3 | V |
| Output Voltage, $V_{DRV} = +5V$ | | | | | |
| Low Level | $I_{OL} = 50\mu A$ | | | +0.1 | V |
| High Level | $I_{OH} = 50\mu A$ | +4.6 | | | V |
| Low Level | $I_{OL} = 1.6mA$ | | | +0.4 | V |
| High Level | $I_{OH} = 0.5mA$ | +2.4 | | | V |
| Output Voltage, $V_{DRV} = +3V$ | | | | | |
| Low Level | $I_{OL} = 50\mu A$ | | | +0.1 | V |
| High Level | $I_{OH} = 50\mu A$ | +2.5 | | | V |
| Output Enable Time | Output Enable = LOW | | 20 | 40 | ns |
| 3-State Enable Time | Output Enable = HIGH | | 2 | 10 | ns |
| Output Capacitance | | | 5 | | pF |
| Data Latency | | | 7 | | Clock Cycles |
| Data Output Delay | $C_L = 15pF$ | | | 12 | ns |
| POWER SUPPLY REQUIREMENTS | | | | | |
| Supply Voltage: V_{CC} | | 4.7 | 5 | 5.3 | V |
| Supply Current: I_{CC} (No Load) | 3-Ch Mode | | 90 | | mA |
| | 1-Ch Mode | | 75 | | mA |
| Power Dissipation (No Load) | 3-Ch Mode | | 450 | | mW |
| | 1-Ch Mode | | 375 | | mW |
| Thermal Resistance, θ_{JA} | | | 100 | | $^{\circ}C/W$ |
| SPECIFIED TEMPERATURE RANGE | | | 0 to +85 | | $^{\circ}C$ |

NOTE: (1) SNR = 20log (full-scale voltage/rms noise).

ABSOLUTE MAXIMUM RATINGS⁽¹⁾

| | |
|--|-----------------------------------|
| Supply Voltage ⁽²⁾ | +6.5V |
| Supply Voltage Differences ⁽³⁾ | ±0.1V |
| GND Voltage Differences ⁽⁴⁾ | ±0.1V |
| Digital Input Voltage | -0.3V to (V _{CC} + 0.3V) |
| Analog Input Voltage | -0.3V to (V _{CC} + 0.3V) |
| Input Current (any pins except supplies) | ±10mA |
| Operating Temperature | 0°C to +85°C |
| Storage Temperature | -55°C to +150°C |
| Junction Temperature | +150°C |
| Lead Temperature (soldering) | +150°C |
| Package Temperature (IR Reflow, peak, 10s) | +260°C |
| Package Temperature (IR Reflow, peak, 5s) | +235°C |

NOTES: (1) Stresses above these ratings may cause permanent damage. Exposure to absolute maximum conditions for extended periods may degrade device reliability. These are stress ratings only, and functional operation of the device at these or any other conditions beyond those specified is not implied.
 (2) V_{CC}, V_{DRV}. (3) Among V_{CC}. (4) Among AGND.



ELECTROSTATIC DISCHARGE SENSITIVITY

This integrated circuit can be damaged by ESD. Burr-Brown recommends that all integrated circuits be handled with appropriate precautions. Failure to observe proper handling and installation procedures can cause damage.

ESD damage can range from subtle performance degradation to complete device failure. Precision integrated circuits may be more susceptible to damage because very small parametric changes could cause the device not to meet its published specifications.

PACKAGE/ORDERING INFORMATION

| PRODUCT | PACKAGE | PACKAGE DRAWING NUMBER | SPECIFIED TEMPERATURE RANGE | PACKAGE MARKING | ORDERING NUMBER ⁽¹⁾ | TRANSPORT MEDIA |
|----------|---------|------------------------|-----------------------------|-----------------|--------------------------------|-----------------|
| VSP3100Y | LQFP-48 | 340 | 0°C to +85°C | VSP3100Y | VSP3100Y | 250-Piece Tray |
| " | " | " | " | VSP3100Y | VSP3100Y/2K | Tape and Reel |

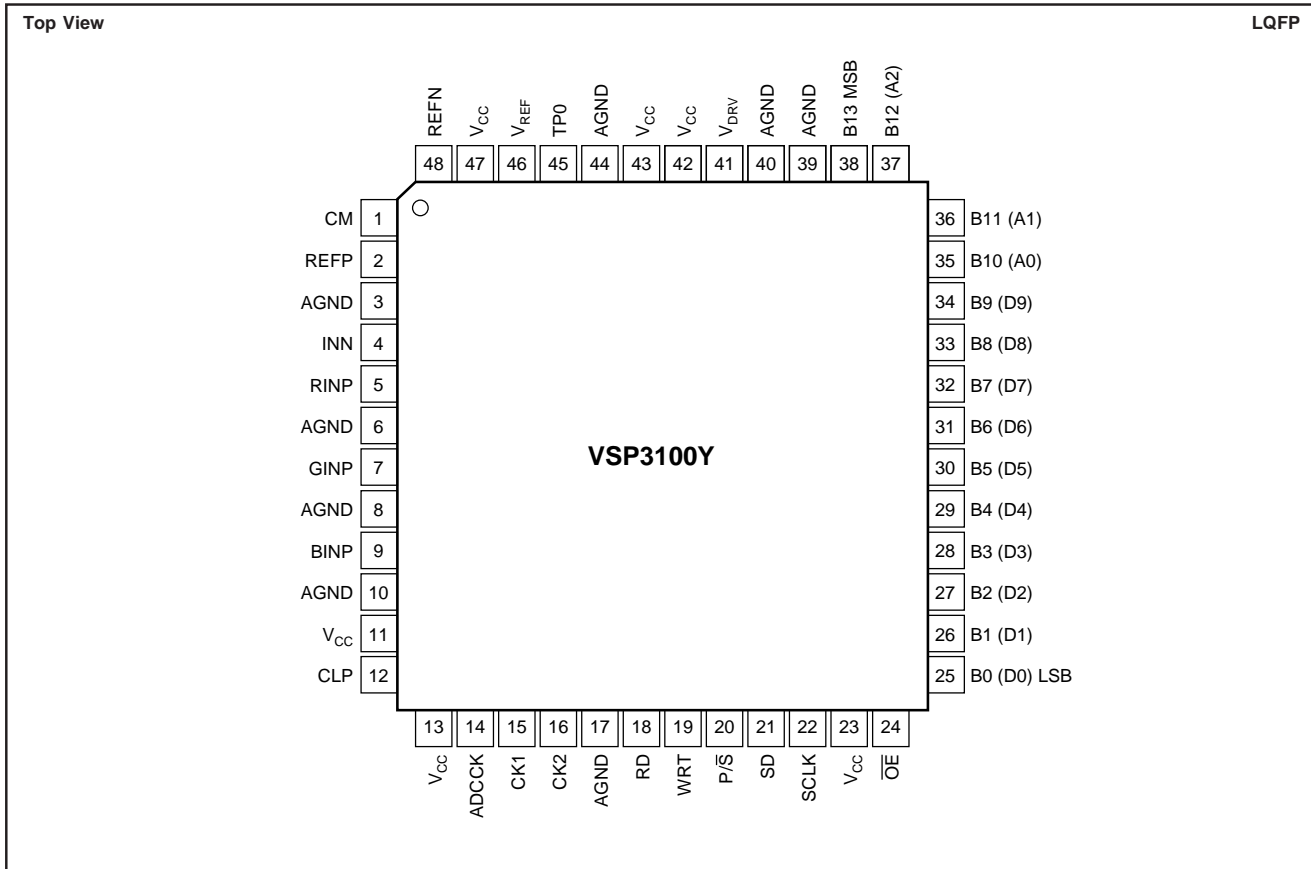
NOTE: (1) Models with a slash (/) are available only in Tape and Reel in the quantities indicated (e.g., /2K indicates 2000 devices per reel). Ordering 2000 pieces of "VSP3100Y/2K" will get a single 2000-piece Tape and Reel.

DEMO BOARD ORDERING INFORMATION

| PRODUCT | PACKAGE |
|----------|--------------|
| VSP3100Y | DEM-VSP3100Y |

The information provided herein is believed to be reliable; however, BURR-BROWN assumes no responsibility for inaccuracies or omissions. BURR-BROWN assumes no responsibility for the use of this information, and all use of such information shall be entirely at the user's own risk. Prices and specifications are subject to change without notice. No patent rights or licenses to any of the circuits described herein are implied or granted to any third party. BURR-BROWN does not authorize or warrant any BURR-BROWN product for use in life support devices and/or systems.

PIN CONFIGURATION



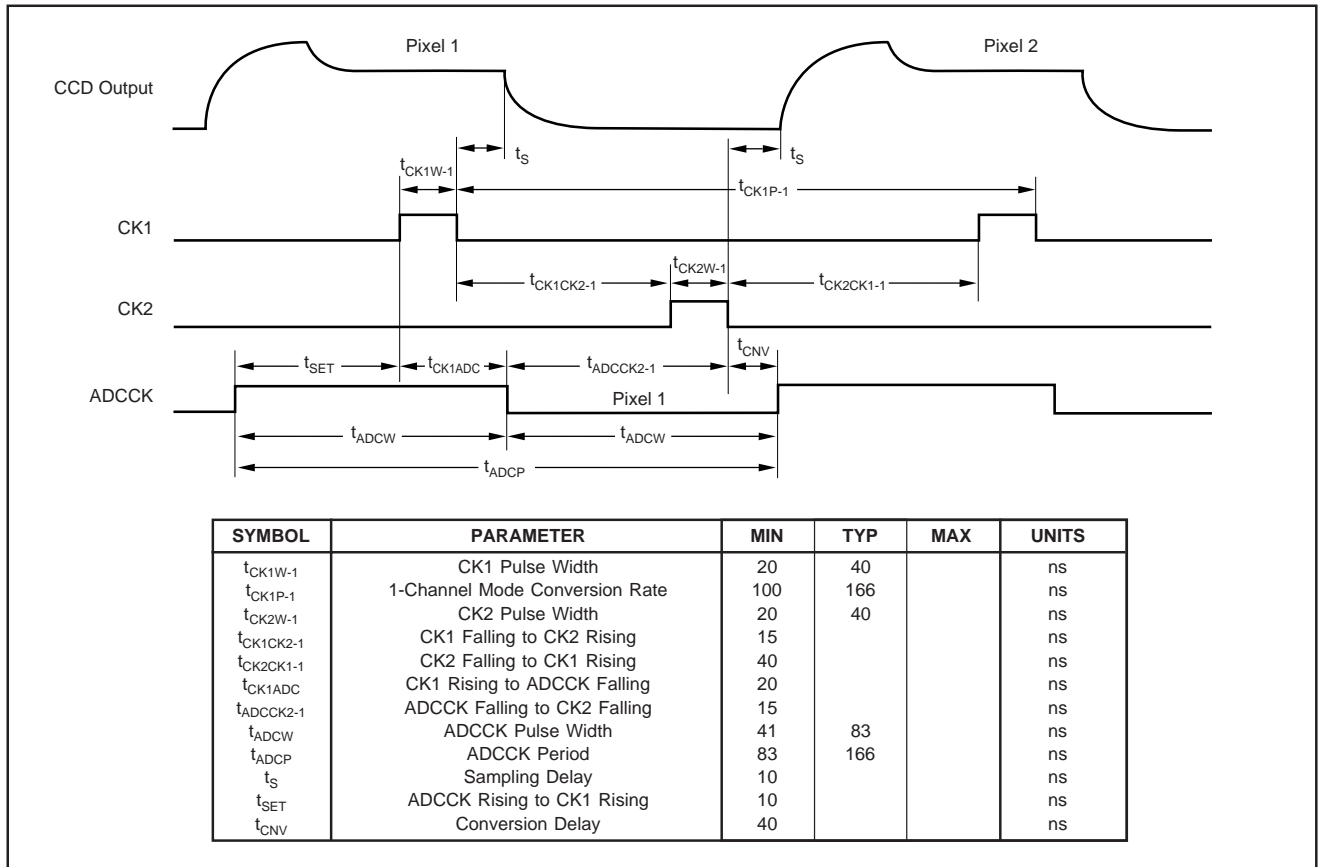
PIN DESCRIPTIONS

| PIN | DESIGNATOR | TYPE | DESCRIPTION | PIN | DESIGNATOR | TYPE | DESCRIPTION |
|-----|-----------------|------|--|-----|------------------------|------|---|
| 1 | CM | AO | Common-Mode Voltage | 25 | B0 (D0) LSB | DIO | A/D Output (Bit 0) and Register Data (Bit 0) |
| 2 | REFP | AO | Top Reference | 26 | B1 (D1) | DIO | A/D Output (Bit 1) and Register Data (Bit 1) |
| 3 | AGND | P | Analog Ground | 27 | B2 (D2) | DIO | A/D Output (Bit 2) and Register Data (Bit 2) |
| 4 | INN | AI | Red/Green/Blue Channel Reference Input | 28 | B3 (D3) | DIO | A/D Output (Bit 3) and Register Data (Bit 3) |
| 5 | RINP | AI | Red Channel Analog Input | 29 | B4 (D4) | DIO | A/D Output (Bit 4) and Register Data (Bit 4) |
| 6 | AGND | P | Analog Ground | 30 | B5 (D5) | DIO | A/D Output (Bit 5) and Register Data (Bit 5) |
| 7 | GINP | AI | Green Channel Analog Input | 31 | B6 (D6) | DIO | A/D Output (Bit 6) and Register Data (Bit 6) |
| 8 | AGND | P | Analog Ground | 32 | B7 (D7) | DIO | A/D Output (Bit 7) and Register Data (Bit 7) |
| 9 | BINP | AI | Blue Channel Analog Input | 33 | B8 (D8) | DIO | A/D Output (Bit 8) and Register Data (Bit 8) |
| 10 | AGND | P | Analog Ground | 34 | B9 (D9) | DIO | A/D Output (Bit 9) and Register Data (Bit 9) |
| 11 | V _{CC} | P | Analog Power Supply, +5V | 35 | B10 (A0) | DIO | A/D Output (Bit 10) and Register Address (Bit 0) |
| 12 | CLP | DI | Clamp Enable: "High" = Enable, "Low" = Disable | 36 | B11 (A1) | DIO | A/D Output (Bit 11) and Register Address (Bit 1) |
| 13 | V _{CC} | P | Analog Power Supply, +5V | 37 | B12 (A2) | DIO | A/D Output (Bit 12) and Register Address (Bit 2) |
| 14 | ADCKK | DI | Clock for A/D Converter Digital Data Output | 38 | B13 MSB | DO | A/D Output (Bit 13) |
| 15 | CK1 | DI | Sample Reference Clock | 38 | B5: Demultiplexed Mode | DO | A/D Output (Bit 5) when Demultiplexed Output Mode |
| 16 | CK2 | DI | Sample Data Clock | 39 | AGND | P | Analog Ground |
| 17 | AGND | P | Analog Ground | 40 | AGND | P | Analog Ground |
| 18 | RD | DI | Read Signal for Registers | 41 | V _{DRV} | P | Digital Output Driver Power Supply |
| 19 | WRT | DI | Write Signal for Registers | 42 | V _{CC} | P | Analog Power Supply, +5V |
| 20 | P/S | DI | Parallel/Serial Port Select "High" = Parallel Port, "Low" = Serial Port | 43 | V _{CC} | P | Analog Power Supply, +5V |
| 21 | SD | DI | Serial Data Input | 44 | AGND | P | Analog Ground |
| 22 | SCLK | DI | Serial Data Shift Clock | 45 | TP0 | AO | A/D Converter Input Monitor Pin (single-ended output) |
| 23 | V _{CC} | P | Analog Power Supply, +5V | 46 | V _{REF} | AIO | Reference Voltage Input/Output |
| 24 | OE | DI | Output Enable | 47 | V _{CC} | P | Analog Power Supply, +5V |
| | | | | 48 | REFN | AO | Bottom Reference |

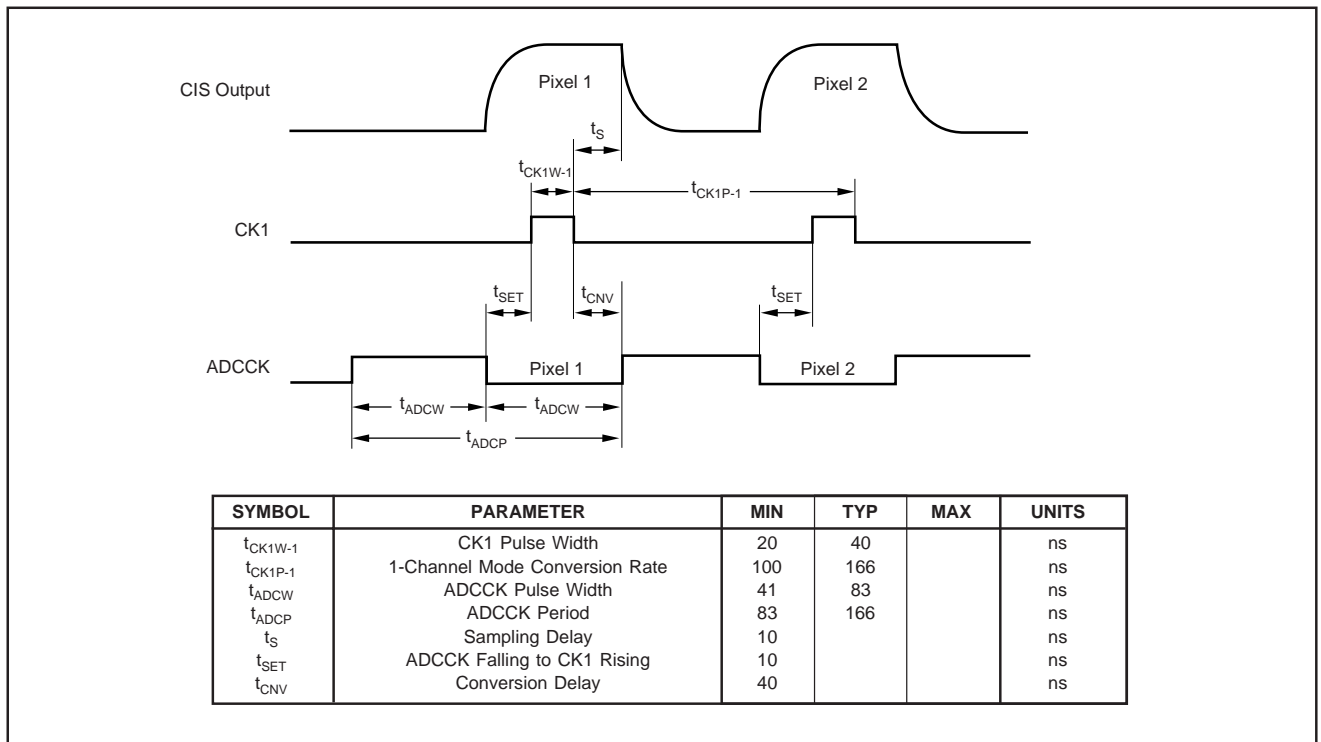
TIMING DIAGRAMS

Timing Specifications: $V_{CC} = +5V$ supply and normal output mode with the specified temperature range, unless otherwise noted.

1-Channel CCD Mode Timing



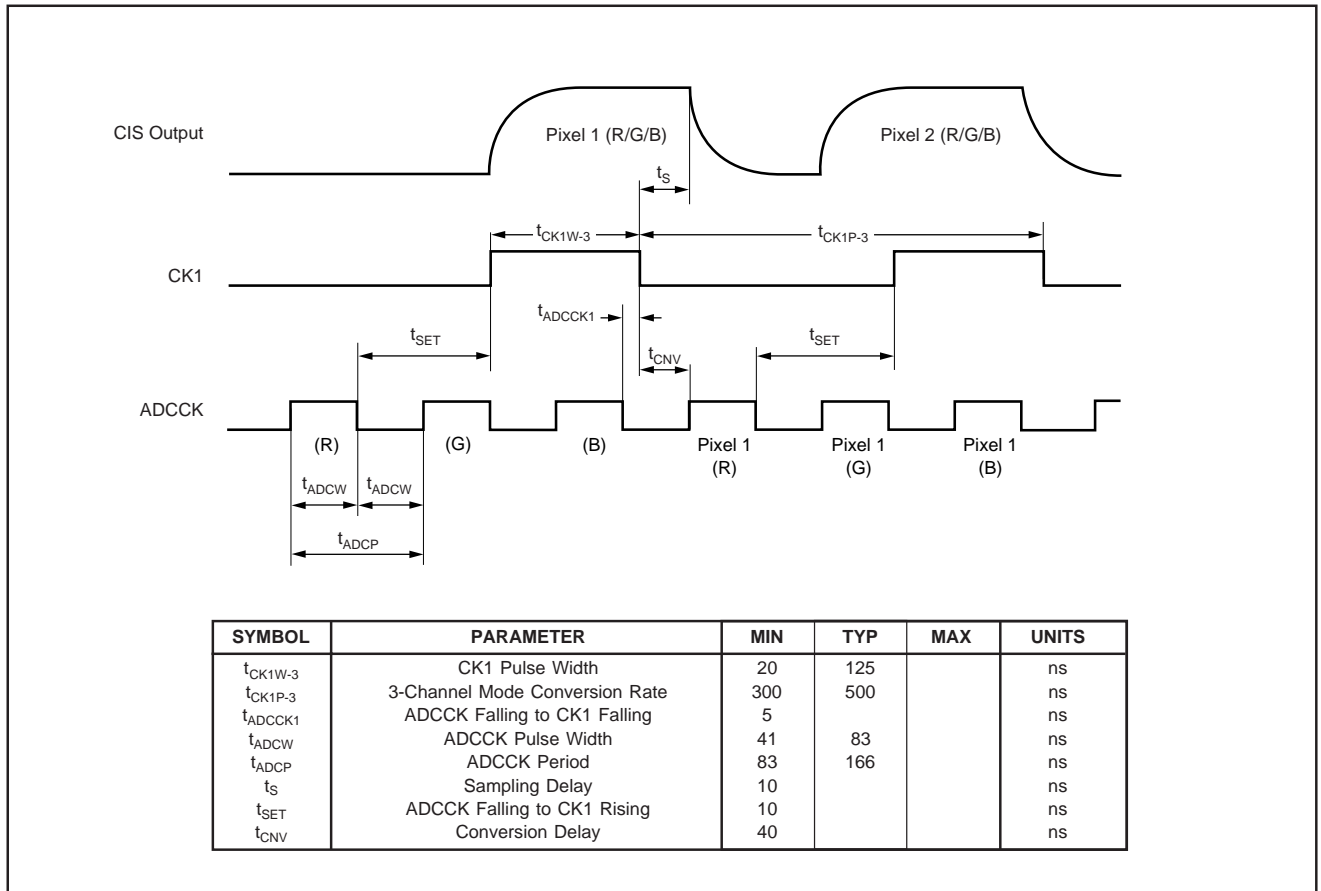
1-Channel CIS Mode Timing



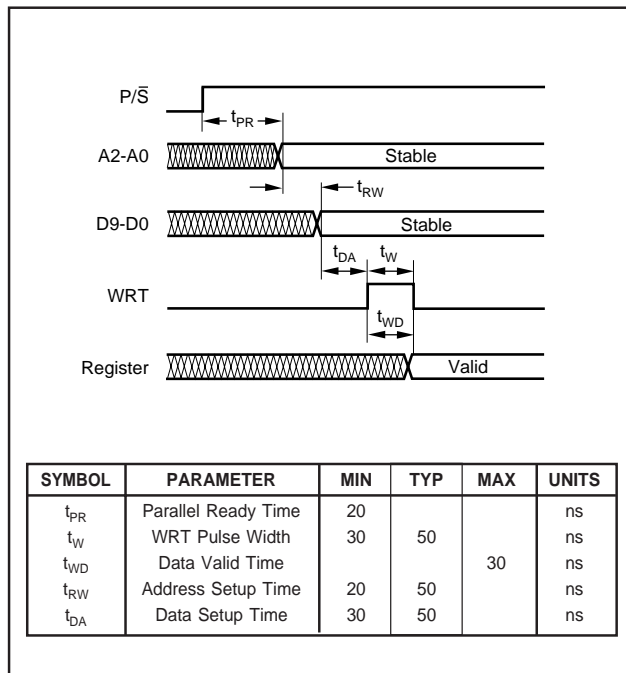
TIMING DIAGRAMS (Cont.)

Timing Specifications: $V_{CC} = +5V$ supply and normal output mode with the specified temperature range, unless otherwise noted.

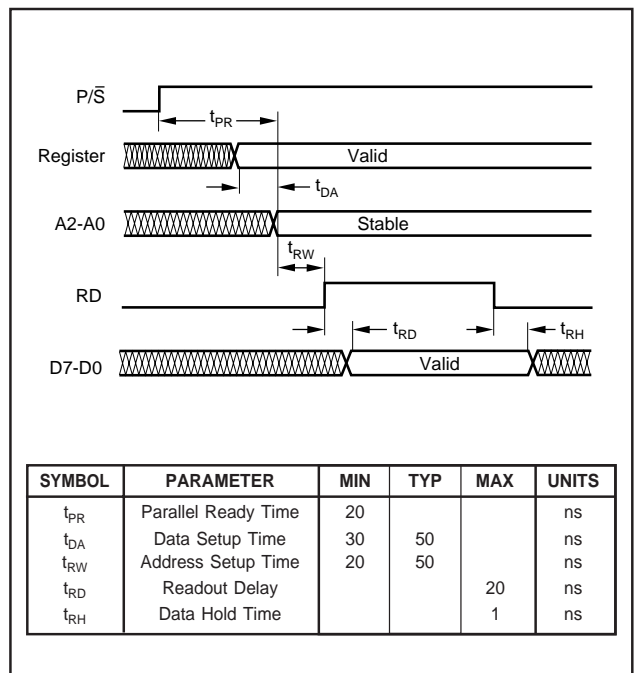
3-Channel CIS Mode Timing



Timing for Parallel Port Writing



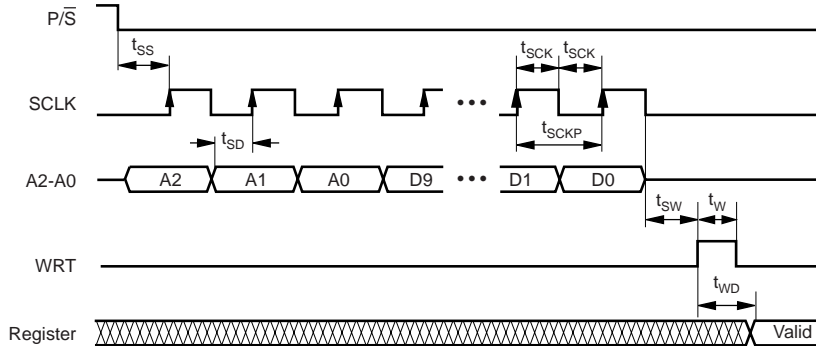
Timing for Reading



TIMING DIAGRAMS (Cont.)

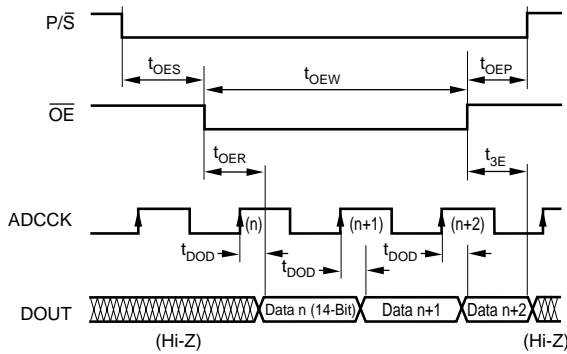
Timing Specifications: $V_{CC} = +5V$ supply and normal output mode with the specified temperature range, unless otherwise noted.

Timing for Serial Port Writing



| SYMBOL | PARAMETER | MIN | TYP | MAX | UNITS |
|------------|--------------------------|-----|-----|-----|-------|
| t_W | WRT Pulse Width | 30 | 50 | | ns |
| t_{WD} | Data Valid Time | | | 30 | ns |
| t_{SD} | Data Ready Time | 15 | 50 | | ns |
| t_{SCK} | Serial Clock Pulse Width | 30 | 50 | | ns |
| t_{SCKP} | Serial Clock Period | 60 | 100 | | ns |
| t_{SS} | Serial Ready Time | 100 | 200 | | ns |
| t_{SW} | WRT Pulse Setup Time | 50 | | | ns |

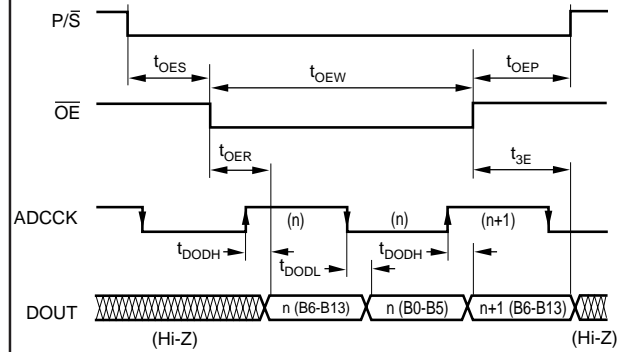
Timing for A/D Output (Normal Operation Mode)



NOTE: It is Inhibit Operation Mode that \overline{OE} sets "Low" during $P/\overline{S} = \text{"High"}$ period.

| SYMBOL | PARAMETER | MIN | TYP | MAX | UNITS |
|-----------|------------------------------|-----|-----|-----|-------|
| t_{OES} | A/D Output Enable Setup Time | 20 | | | ns |
| t_{OER} | Output Enable Time | | 20 | 40 | ns |
| t_{3E} | 3-State Enable Time | | 2 | 10 | ns |
| t_{OEW} | \overline{OE} Pulse Width | 100 | | | ns |
| t_{DOD} | Data Output Delay | | | 12 | ns |
| t_{OEP} | Parallel Port Setup Time | 10 | | | ns |

Timing for A/D Output (Demultiplexed Operation Mode)



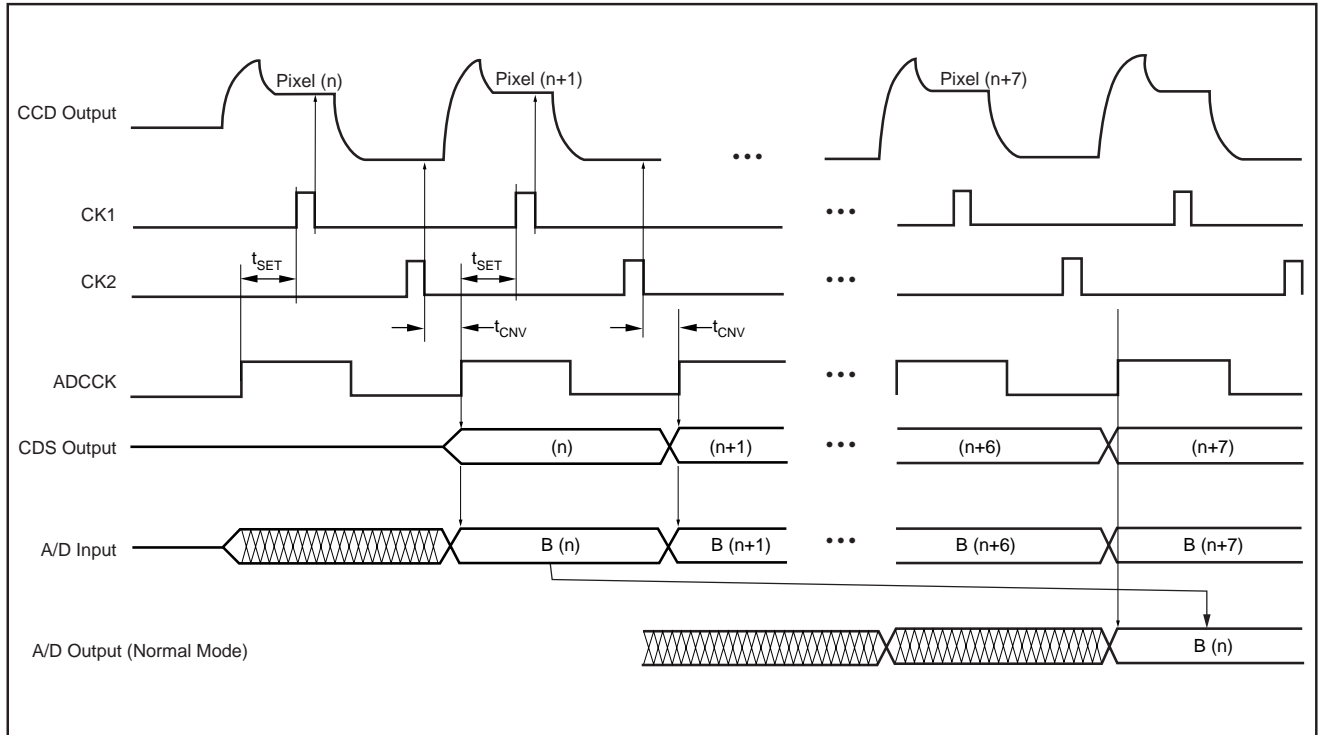
NOTE: It is Inhibit Operation Mode that \overline{OE} sets "Low" during $P/\overline{S} = \text{"High"}$ period.

| SYMBOL | PARAMETER | MIN | TYP | MAX | UNITS |
|------------|------------------------------|-----|-----|-----|-------|
| t_{OES} | A/D Output Enable Setup Time | 20 | | | ns |
| t_{OER} | Output Enable Time | | 20 | 40 | ns |
| t_{3E} | 3-State Enable Time | | 2 | 10 | ns |
| t_{OEW} | \overline{OE} Pulse Width | 100 | | | ns |
| t_{DODH} | Data Output Delay, High Byte | | | 12 | ns |
| t_{DODL} | Data Output Delay, Low Byte | | | 12 | ns |
| t_{OEP} | Parallel Port Setup Time | 10 | | | ns |

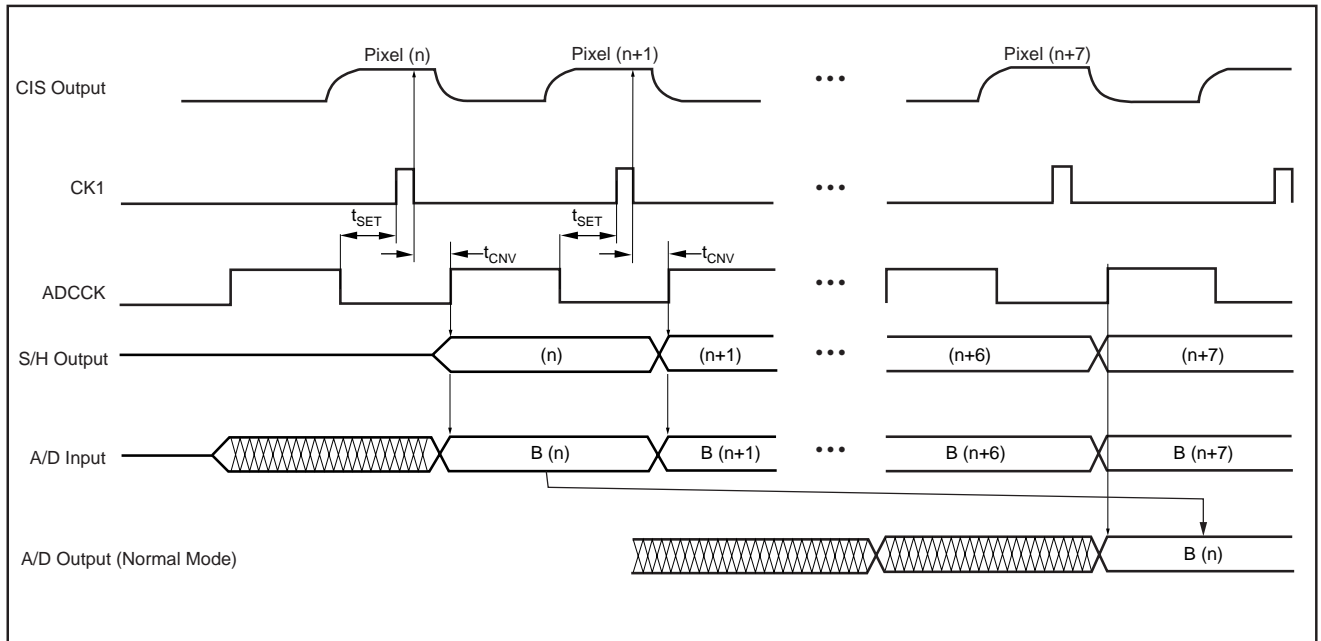
TIMING DIAGRAMS (Cont.)

Timing Specifications: $V_{CC} = +5V$ supply and normal output mode with the specified temperature range, unless otherwise noted.

Digital Data Output Sequence; 1-ch CCD Mode (B-ch: D4 = 1 and D5 = 0)



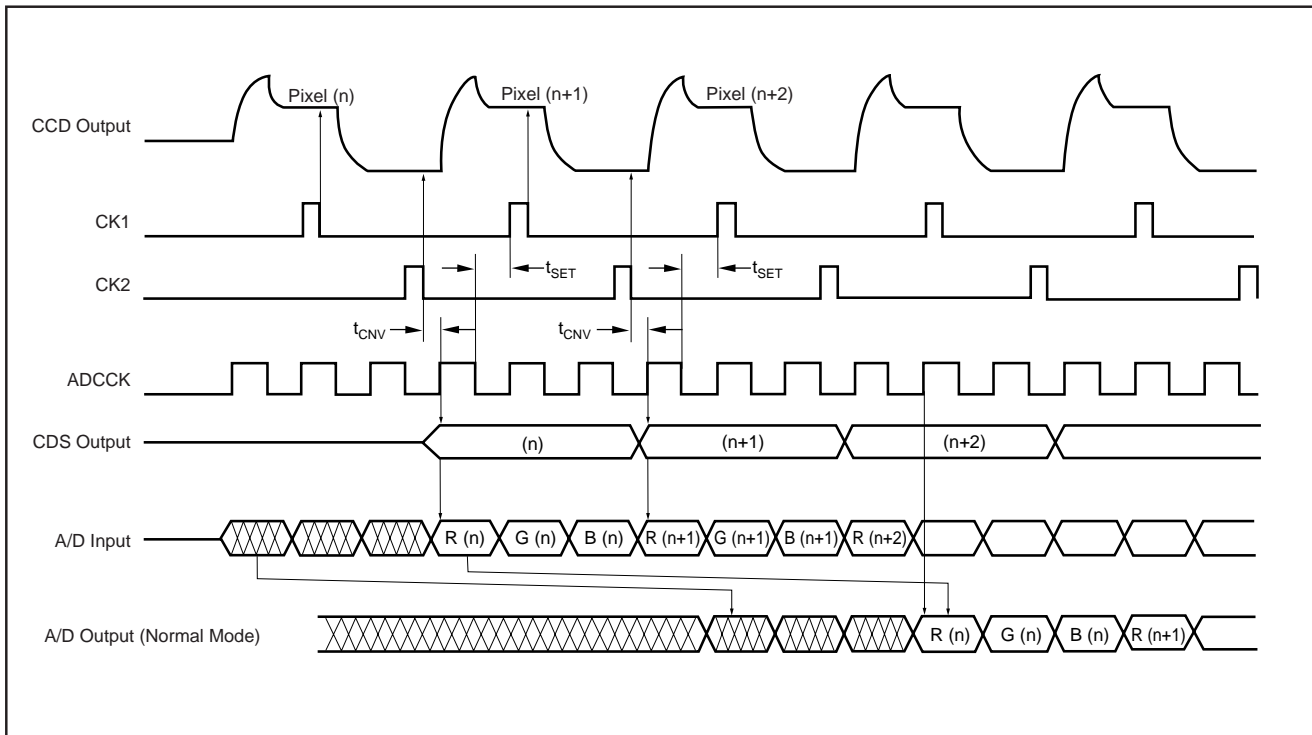
Digital Data Output Sequence; 1-ch CIS Mode (B-ch: D4 = 1 and D5 = 0)



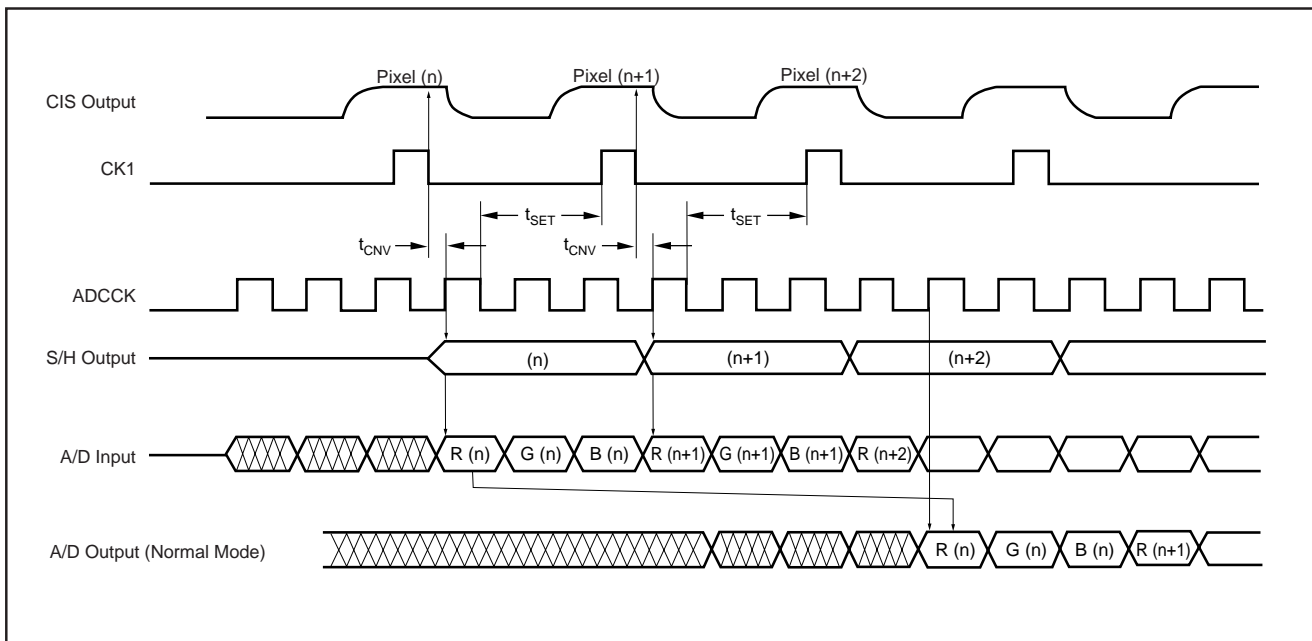
TIMING DIAGRAMS (Cont.)

Timing Specifications: $V_{CC} = +5V$ supply and normal output mode with the specified temperature range, unless otherwise noted.

Digital Data Output Sequence; 3-ch CCD Mode, R > G > B Sequence

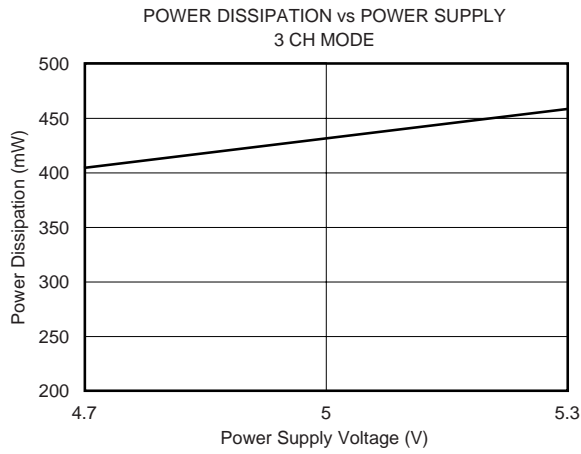
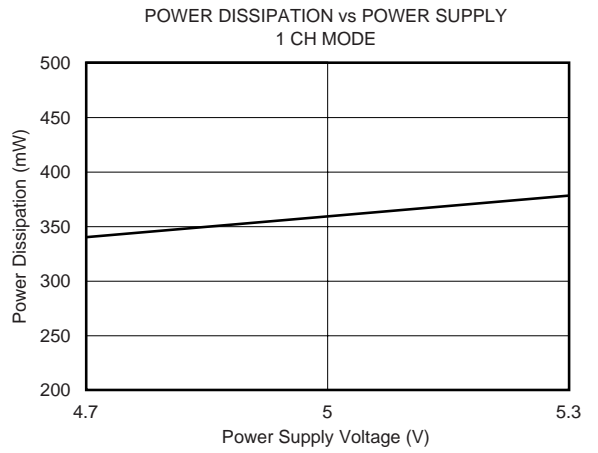
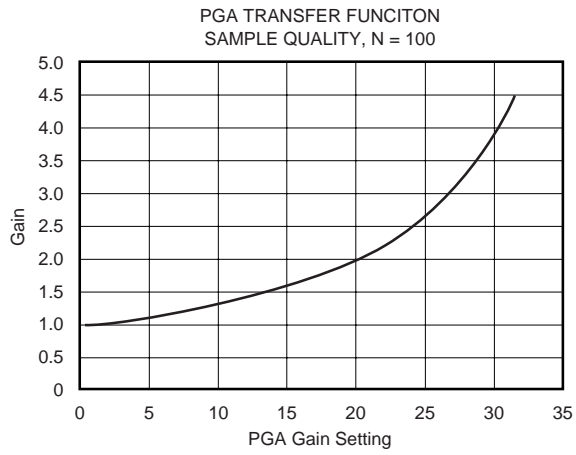


Digital Data Output Sequence; 3-ch CIS Mode, R > G > B Sequence



TYPICAL PERFORMANCE CURVES

At $T_A = +25^\circ\text{C}$, $V_{CC} = +5\text{V}$ supply, $t_{ADCK} = 6\text{MHz}$, $f_{CK1} = 2\text{MHz}$, $f_{CK2} = 2\text{MHz}$, PGA Gain = 1, normal output mode, no load, unless otherwise specified.



THEORY OF OPERATION

VSP3100 can be operated in one of the following four modes:

- (1) 1-Channel CCD
- (2) 1-Channel CIS
- (3) 3-Channel CCD
- (4) 3-Channel CIS

1-CHANNEL CCD MODE

In this mode, the VSP3100 processes only one CCD signal (D3 of the Configuration Register sets to “1”). The CCD signal is AC-coupled to RINP, GINP, or BINP (depending on D4, D5 of the Configuration Register). The CLP signal enables internal biasing circuitry to clamp this input to a proper voltage, so that internal CDS circuitry can work properly. The VSP3100 input may be applied as a DC-coupled input, which needs to be level-shifted to a proper DC level.

The CDS takes two samples of the incoming CCD signals. The CCD reset signal is taken on the falling edge of CK1 and the CCD information is taken on the falling edge of CK2. These two samples are then subtracted by the CDS and the result is stored as a CDS output.

In this mode, only one of the three channels is enabled. Each channel consists of a 10-bit Offset DAC (range from -400mV to $+400\text{mV}$). A 3-to-1 analog MUX is inserted between the CDSs and a high-performance 14-bit analog-to-digital converter. The outputs of the CDSs are then multiplexed to the A/D converter for digitization. The analog MUX is not cycling between channels in this mode. Instead, it is connected to a specific channel, depending on the contents of D4 and D5 in the Configuration Register.

The VSP3100 allows two types of output modes:

- 1) Normal (D7 of Configuration Register sets to “0”).
- 2) Demultiplexed (D7 of Configuration Register sets to “1”).

As specified in the “1-Channel CCD Mode” timing diagram, the rising edge of CK1 must be in the HIGH period of ADCK, and at the same time, the falling edge of the CK2 must be in the LOW period of ADCK. Otherwise, the VSP3100 will not function properly.

1-CHANNEL CIS MODE

In this mode, the VSP3100 operates as a 1-channel sampler and digitizer. Unlike CDS modes, the VSP3100 takes only one sample on the falling edge of the CK1. Since only one sample is taken, CK2 is grounded in this operation. The input signal is DC coupled in most cases. Here, VSP3100 inputs are differential input. Using the Red channel as an example, RINP is the CIS input signal, and INN is the CIS common reference signal input. The same applies to the Green channel (GINP and INN) and Blue channel (BINP and INN).

In this mode, CDS becomes CIS (act like sample-and-hold). Each channel consists of a 10-bit Offset DAC (range from -400mV to $+400\text{mV}$).

A 3-to-1 analog MUX is inserted between the CISs and a high-performance, 14-bit A/D converter. The outputs of the CIS are then multiplexed to the A/D converter for digitization. The analog MUX is not cycling between channels in this mode. Instead, the analog MUX is connected to a specific channel, depending on the contents of D4 and D5 in the Configuration Register.

The VSP3100 allows two types of output modes:

- 1) Normal (D7 of Configuration Register sets to “0”).
- 2) Demultiplexed (D7 of Configuration Register sets to “1”).

As specified in the “1-Channel CIS Mode” timing diagram, the active period of both CK1 (t_{CK1B}) and CK2 (t_{CK2B}) must be in the LOW period of ADCK. If it is in the HIGH period of ADCK, the VSP3100 will not function properly.

3-CHANNEL CCD MODE

In this mode, the VSP3100 can simultaneously process triple output CCD signals. CCD signals are AC coupled to the RINP, GINP, and BINP inputs. The CLP signal enables internal biasing circuitry to clamp these inputs to a proper voltage so that internal CDS circuitry can work properly. VSP3100 inputs may be applied as a DC-coupled inputs, which need to be level-shifted to a proper DC level.

The CDSs take two samples of the incoming CCD signals. The CCD reset signals are taken on the falling edge of CK1 and the CCD information is taken on the falling edge of CK2. These two samples are then subtracted by the CDSs and the results are stored as a CDS output.

In this mode, three CDSs are used to process three inputs simultaneously. Each channel consists of a 10-bit Offset DAC (range from -400mV to $+400\text{mV}$). A 3-to-1 analog MUX is inserted between the CDSs and a high-performance, 14-bit A/D converter. The outputs of the CDSs are then multiplexed to the A/D converter for digitization. The analog MUX is switched at the falling edge of CK2, and can be programmed to cycle between the Red, Green, and Blue channels. When D6 of the Configuration Register sets to “0”, the MUX sequence is Red > Green > Blue. When D6 of the Configuration Register sets to “1”, the MUX sequence is Blue > Green > Red.

MUX resets at the falling edge of CK1. In the case of a Red > Green > Blue sequence, it resets to “R”, and in the case of a Blue > Green > Red sequence, it resets to “B”.

The VSP3100 allows two types of output modes:

- 1) Normal (D7 of Configuration Register sets to “0”).
- 2) Demultiplexed (D7 of Configuration Register sets to “1”).

As specified in the “3-Channel CCD Mode” timing diagram, the falling edge of CK2 must be in the LOW period of ADCCK. If the falling edge of CK2 is in the HIGH period of ADCCK (in the timing diagram, ADCCK for sampling B-channel), the VSP3100 will not function properly.

3-CHANNEL CIS MODE

In this mode, the VSP3100 is operated as 3-channel samplers and a digitizer. Unlike CCD modes, VSP3100 takes only one sample on the falling edge of CK1 for each input. Since only one sample is taken, CK2 is grounded in this operation. The input signals are DC coupled in most cases. Here, the VSP3100 inputs allow differential inputs. Using the Red channel as an example, RINP is the CIS input signal, and INN is the CIS common reference signal input. The same applies to the Green channel (GINP and INN) and Blue channel (BINP and INN).

In this mode, three CDSs become CISs (act like sample-and-hold) to process three inputs simultaneously. Each channel consists of a 10-bit Offset DAC (range from -400mV to

$+400\text{mV}$). A 3-to-1 analog MUX is inserted between the CISs and a high-performance, 14-bit A/D converter. The outputs of the CIS are then multiplexed to the A/D converter for digitization. The analog MUX is switched at the falling edge of CK2, and can be programmed cycling between the Red, Green, and Blue channels. When D6 of the Configuration Register sets to “0”, the MUX sequence is Red > Green > Blue. When D6 of the Configuration Register sets to “1”, the MUX sequence is Blue > Green > Red.

MUX resets at the falling edge of CK1. In the case of a Red > Green > Blue sequence, it resets to “R”, and in the case of a Blue > Green > Red sequence, it resets to “B”.

The VSP3100 allows two types of output modes:

- 1) Normal (D7 of Configuration Register sets to “0”).
- 2) Demultiplexed (D7 of Configuration Register sets to “1”).

As specified in the “3-Channel CIS Mode” timing diagram, the falling edge of CK1 must be in the LOW period of ADCCK. If the falling edge of CK1 is in the HIGH period of ADCCK (in the timing diagram, ADCCK for sampling B-channel), the VSP3100 will not function properly.

DIGITAL OUTPUT FORMAT

The Digital Output Format is shown in Table I. The VSP3100 can be operated in one of the following two digital output modes:

- (1) Normal output.
- (2) Demultiplexed (B13-based Big Endian Format).

In Normal mode, the VSP3100 outputs the 14-bit data by B0 (pin 25) through B13 (pin 38) simultaneously.

In Demultiplexed mode, VSP3100 outputs the high byte (upper 8 bits) by B6 (pin 31) through B13 (pin 38) at the rising edge of ADCCK “HIGH”, then outputs the low byte (lower 6 bits) by B8 (pin 33) through B13 (pin 38) at the falling edge of ADCCK.

An 8-bit interface can be used between the VSP3100 and the Digital Signal Processor, allowing for a low-cost system solution.

| BIT | B13 | B12 | B11 | B10 | B9 | B8 | B7 | B6 | B5 | B4 | B3 | B2 | B1 | B0 |
|-----------|-----|-----|-----|-----|----|----|-----|-----|-----|-----|-----|-----|-----|-----|
| High Byte | B13 | B12 | B11 | B10 | B9 | B8 | B7 | B6 | Low | Low | Low | Low | Low | Low |
| Low Byte | B5 | B4 | B3 | B2 | B1 | B0 | Low | Low | Low | Low | Low | Low | Low | Low |

TABLE I. Digital Output Format.

DIGITAL OUTPUTS

The digital outputs of the VSP3100 are designed to be compatible with both high-speed TTL and CMOS logic families. The driver stage of the digital outputs is supplied through a separate supply pin, V_{DRV} (pin 41), which is not connected to the analog supply pins (V_{CC}). By adjusting the voltage on V_{DRV} , the digital output levels will vary respectively. Thus, it is possible to operate the VSP3100 on a +5V analog supply while interfacing the digital outputs to 3V logic. It is recommended to keep the capacitive loading on the data lines as low as possible (typically less than 15pF). Larger capacitive loads demanding higher charging current surges can feed back to the analog portion of the VSP3100 and influence the performance. If necessary, external buffers or latches may be used, providing the added benefit of isolating the VSP3100 from any digital noise activities on the bus, coupling back high-frequency noise. In addition, resistors in series with each data line may help minimize the surge current. Their use depends on the capacitive loading seen by the converter. As the output levels change from low to high and high to low, values in the range of 100Ω to 200Ω will limit the instantaneous current the output stage has to provide for recharging the parasitic capacitances.

PROGRAMMABLE GAIN AMPLIFIER

VSP3100 has one Programmable Gain Amplifier (PGA), and it is inserted between the CDSs and the 3:1 MUX. The PGA is controlled by a 5-bit of Gain Register and each channel (Red, Green, and Blue) has its own Gain Register. The gain varies from 1 to 4.44 (0dB to 13dB), and the curve has log characteristics. Gain Register Code all “0” corresponds to minimum gain, and Code all “1” corresponds to maximum gain.

The transfer function of the PGA is:

$$\text{Gain} = 4 / (4 - 0.1 \cdot x)$$

where, x is the integer representation of the 5-bit PGA gain register.

Figure 1 shows the PGA transfer function plot.

INPUT CLAMP

The input clamp should be used for 1-channel and 3-channel CCD mode, and it will be enabled when both CLP and CK1 are set to HIGH.

Bit Clamp: the input clamp is always enabled.

Line Clamp: enables during the dummy pixel interval at every horizontal line, and disables during the effective pixel interval.

Generally, “Bit Clamp” is used for many scanner applications, however, “Line Clamp” is used instead of “Bit Clamp” when the clamp noise is impressive.

CHOOSING THE AC INPUT COUPLING CAPACITORS

The purpose of the Input Coupling Capacitor is to isolate the DC offset of the CCD array from affecting the VSP3100 input circuitry. The internal clamping circuitry is used to restore the necessary DC bias to make the VSP3100 input circuitry functional. Internal clamp voltage, V_{CLAMP} , is set when both the CLP pin and CK1 are set high. V_{CLAMP} changes depending on the value of V_{REF} . V_{CLAMP} is 2.5V if V_{REF} is set to 1V (D1 of the Configuration Register set to “0”), and V_{CLAMP} is 3V if V_{REF} is set to 1.5V (D1 of the Configuration Register set to “1”).

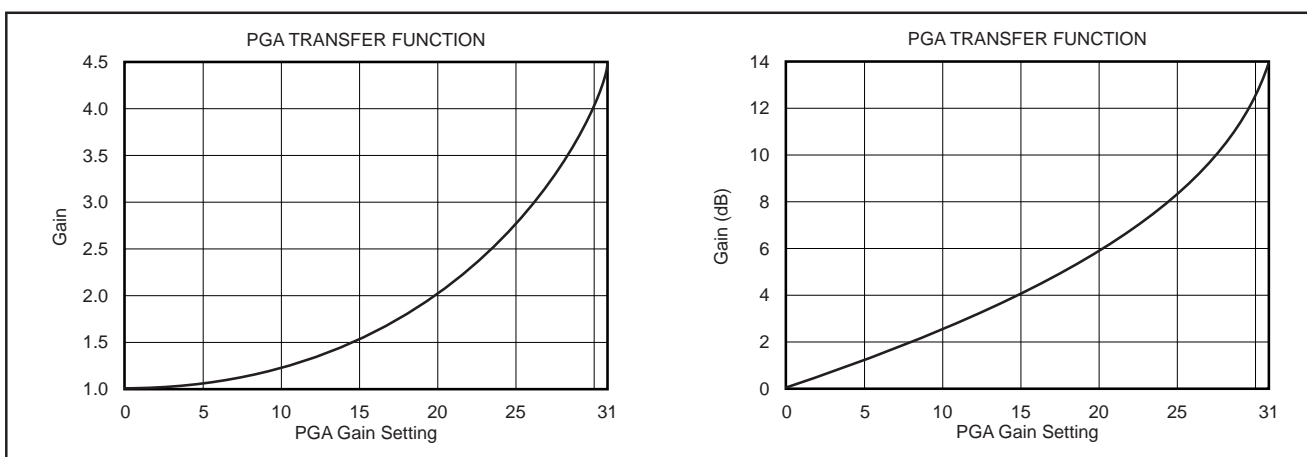


FIGURE 1. PGA Transfer Plot.

There are many factors that decide what size of Input Coupling Capacitor is needed. Those factors are CCD signal swing, voltage difference between the Input Coupling Capacitor, leakage current of the VSP3100 input circuitry, and the time period of CK1.

Figure 2 shows the equivalent circuit of the VSP3100 inputs.

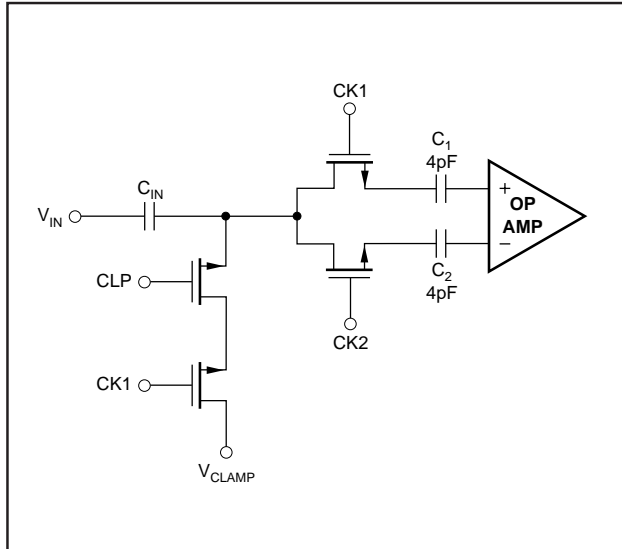


FIGURE 2. Equivalent Circuit of VSP3100 Inputs.

In this equivalent circuit, Input Coupling Capacitor C_{IN} , and Sampling Capacitor C_1 , are constructed as a capacitor divider (during CK1). For AC analysis, OP inputs are grounded. Therefore, the sampling voltage, V_S , (during CK1) is:

$$V_S = (C_{IN} / (C_{IN} + C_1)) \cdot V_{IN}$$

From the above equation, we know that a larger C_{IN} makes V_S close to V_{IN} . In other words, input signal, V_{IN} , will not be attenuated if C_{IN} is large.

However, there is a disadvantage of using a large C_{IN} . It will take longer for the CLP signal to charge up C_{IN} so that the input circuitry of the VSP3100 can work properly.

CHOOSE C_{MAX} AND C_{MIN}

As mentioned, a large C_{IN} is better if there is enough time for the CLP signal to charge up C_{IN} so that the input circuitry of the VSP3100 can work properly. Typically, $0.01\mu\text{F}$ to $0.1\mu\text{F}$ of C_{IN} can be used for most cases.

In order to optimize C_{IN} , the following two equations can be used to calculate the maximum (C_{MAX}) and minimum (C_{MIN}) values of C_{IN} :

$$C_{MAX} = (t_{CK1} \cdot N) / [R_{SW} \cdot \ln(V_D / V_{ERROR})]$$

where t_{CK1} is the time when both CK1 and CLP go HIGH, and N is the number of black pixels; R_{SW} is the switch resistance of the VSP3100 (typically, driver impedance + $4k\Omega$); V_D is the droop voltage of C_{IN} ; V_{ERROR} is the voltage difference between V_S and V_{CLAMP} .

$$C_{MIN} = (I / V_{ERROR}) \cdot t$$

where I is the leakage current of the VSP3100 input circuitry (10nA is a typical number for this leakage current); t is the clamp pulse period.

PROGRAMMING VSP3100

The VSP3100 consists of 3 CCD/CIS channels and a 14-bit A/D. Each channel (Red, Green, and Blue) has its own 10-bit Offset and 5-bit Gain Adjustable Registers to be programmed by the user. There is also an 8-bit Configuration Register, on-chip, to program the different operation modes. Those registers are shown in Table II.

| ADDRESS A2 A1 A0 | REGISTER | POWER-ON DEFAULT VALUE |
|---------------------|--|---------------------------|
| 0 0 0 | Configuration Register (8-bit) | All "0s" |
| 0 0 1 | Red Channel Offset Register (10-bit) | All "0s" |
| 0 1 0 | Green Channel Offset Register (10-bit) | All "0s" |
| 0 1 1 | Blue Channel Offset Register (10-bit) | All "0s" |
| 1 0 0 | Red Channel Gain Register (5-bit) | All "0s" |
| 1 0 1 | Green Channel Gain Register (5-bit) | All "0s" |
| 1 1 0 | Blue Channel Gain Register (5-bit) | All "0s" |
| 1 1 1 | Reserved | |

TABLE II. On-Chip Registers.

These registers can be accessed by the following two programming modes:

(1) Parallel Programming Mode using digital data output pins, with the data bus assigned as D0 to D9 (pins 25 to 34), and the address bus as A0 to A2 (pins 35 to 37). It can be used for both reading and writing operations. However, it cannot be used by the Demultiplexed mode (when D7 of the Configuration Register is set to “1”).

(2) Serial Programming Mode using a serial port, Serial Data (SD), the Serial Shift Clock (SCLK), and Write Signal (WRT) assigned.

It can be used only for writing operations; reading operations via the serial port are prohibited.

Table III shows how to access these modes.

| \overline{OE} | $\overline{P/S}$ | MODE |
|-----------------|------------------|---|
| 0 | 0 | Digital data output enabled, Serial mode enabled |
| 0 | 1 | Prohibit mode |
| 1 | 0 | Digital data output disabled, Serial mode enabled |
| 1 | 1 | Digital data output disabled, Parallel mode enabled |

TABLE III. Access Mode for Serial and Parallel Port.

CONFIGURATION REGISTER

The Configuration Register design is shown in Table IV.

| BIT | LOGIC ‘0’ | LOGIC ‘1’ |
|-------|---------------------------------------|--|
| D0 | CCD mode | CIS mode |
| D1 | $V_{REF} = 1V$ | $V_{REF} = 1.5V$ |
| D2 | Internal Reference | External Reference |
| D3 | 3-channel Mode, D4 and D5 disabled | 1-channel Mode, D4 and D5 enabled |
| D4,D5 | (disabled when 3-channel) | D4 D5 0 0 1-channel mode, Red channel 0 1 1-channel mode, Green channel 1 0 1-channel mode, Blue channel |
| D6 | MUX Sequence Red > Green > Blue | MUX Sequence Blue > Green > Red |
| D7 | Normal output mode | Demultiplexed output mode |

TABLE IV. Configuration Register Design.

Power-on default value is all “0s”, set to 3-channel CCD mode with 1V internal reference, R > G > B MUX sequence, and normal output mode.

For reading/writing to the Configuration Register, the address will be A2 = “0”, A1 = “0”, and A0 = “0”.

For Example:

A 3-channel CCD with internal reference $V_{REF} = 1V$ (2V full-scale input), R > G > B sequence and normal output mode will be D0 = “0”, D1 = “0”, D2 = “0”, D3 = “0”, D4 = “x (don’t care)”, D5 = “x (don’t care)”, D6 = “0”, and D7 = “0”.

For this example, bypass V_{REF} with an appropriate capacitor (for example, 10 μ F to 0.1 μ F) when internal reference mode is used.

Another Example:

A 1-channel CIS mode (Green channel) with an external 1.2V reference (2.4V full-scale input), Demultiplexed Output mode will be D0 = “1”, D1 = “x (don’t care)”, D2 = “1”, D3 = “1”, D4 = “0”, D5 = “1”, D6 = “x (don’t care)”, and D7 = “1”.

For this example, V_{REF} will be an input pin applied with 1.2V.

OFFSET REGISTER

Offset Registers control the analog offset input to channels prior to the PGA. There is a 10-bit Offset Register on each channel. The offset range varies from –400mV to +400mV. The Offset Register uses a straight binary code. All “0s” corresponds to –400mV, and all “1s” corresponds to +400mV of the offset adjustment. The register code 200_H corresponds to 0mV of the offset adjustment. The Power-on default value of the Offset Register is all “0s”, so the offset adjustment should be set to –400mV.

PGA GAIN REGISTER

PGA Gain Registers control the gain to channels prior to the digitization by the A/D converter. There is a 5-bit PGA Gain Register on each channel. The gain range varies from 1 to 4.44 (from 0dB to 13dB). The PGA Gain Register is a straight binary code. All “0s” corresponds to an analog gain of 0dB, and all “1s” corresponds to an analog gain of 13dB. PGA Transfer function is log gain curve. Power-on default value is all “0s”, so that it sets the gain of 0dB.

OFFSET AND GAIN CALIBRATION SEQUENCE

When the VSP3100 is powered on, it will be initialized as a 3-Channel CCD, 1V internal reference mode (2V full-scale) with an analog gain of 1, and normal output mode. This mode is commonly used for CCD scanner applications. The calibration procedure is done at the very beginning of the scan.

To calibrate the VSP3100, use the following procedure:

1. Set the VSP3100 to the proper mode.
2. Set Offset to 0mV (control code: 00_H), and PGA gain to 1 (control code: 200_H).
3. Scan dark line.
4. Calculate the pixel offsets according to the A/D Converter output.
5. Readjust input Offset Registers.
6. Scan white line.
7. Calculate gain. It will be the A/D Converter full-scale divided by the A/D Converter output when the white line is scanned.
8. Set the Gain Register. If the A/D Converter output is not close to full-scale, go back to item 3. Otherwise, the calibration is done.

The calibration procedure is started at the very beginning of the scan. Once calibration is done, registers on the VSP3100 will keep this information (offset and gain for each channel) during the operation.

RECOMMENDATION FOR POWER SUPPLY AND GROUNDING

Proper grounding, bypassing, short lead length, and the use of ground planes are particularly important for high-frequency designs. Multi-layer PC boards are recommended for the best performance since they offer distinct advantages such as minimization of ground impedance, separation of signal layers by ground layers, etc.

It is recommended that analog and digital ground pins of the VSP3100 be joined together at the IC and connected only to the analog ground of the system. The VSP3100 has several analog supply pins (V_{CC}), so the VSP3100 should be treated as an analog component, and all supply pins should be powered by the analog supply on your system. This will ensure the most consistent results since digital supply lines often carry high levels of noise that would otherwise be coupled into the converter and degrade the achievable performance.

As the result of the high operation speed, the converter also generates high-frequency current transients and noise that are fed back into the supply and reference lines. This requires that the supply and reference pins be sufficiently decoupled with ceramic capacitors.

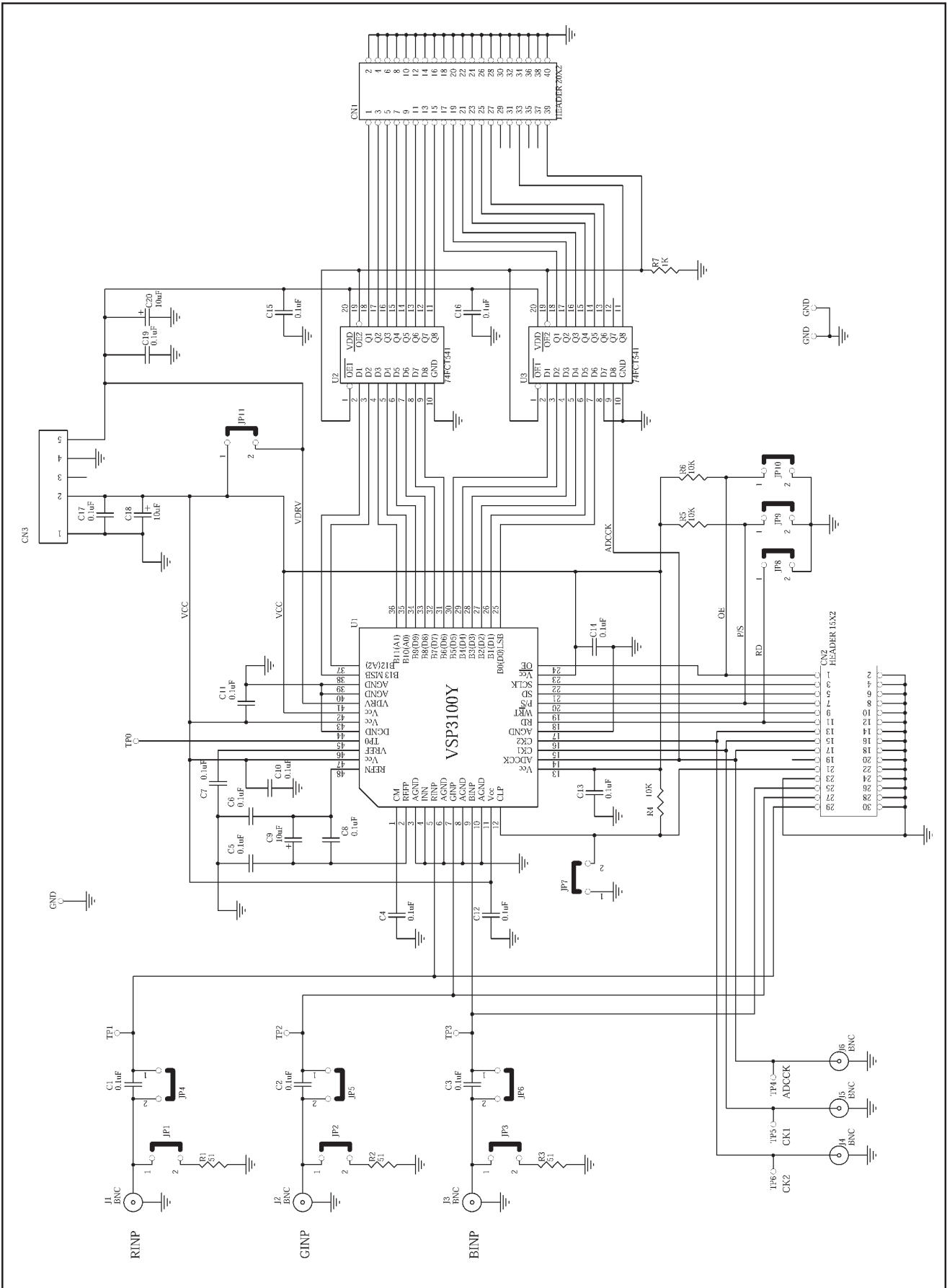


FIGURE 3. Demo Board Schematic (DEM-VSP3100).