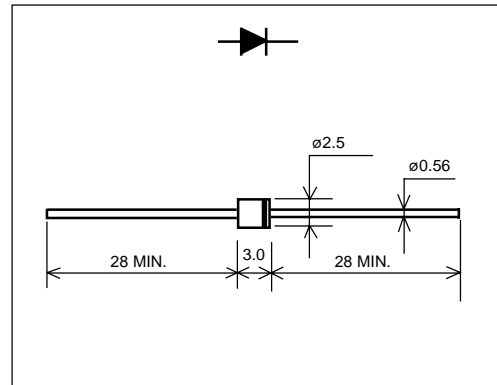


ERA38 (0.5A)

(400 to 600V / 0.5A)

FAST RECOVERY DIODE

■ Outline drawings, mm



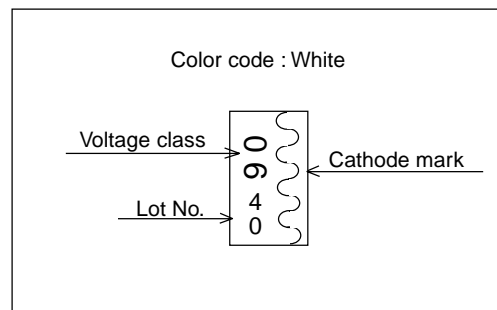
■ Features

- Super high speed switching
- Ultra small package
Possible for 5mm pitch automatic insertion
- Low V_F in turn on
- High reliability

■ Applications

- High speed switching

■ Marking



■ Maximum ratings and characteristics

- Absolute maximum ratings

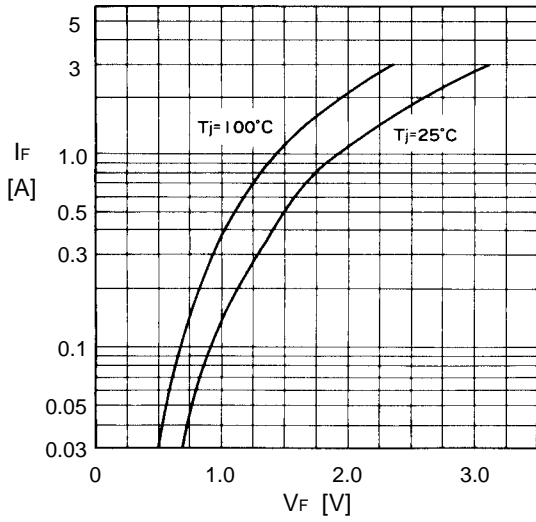
| Item | Symbol | Conditions | Rating | | | Unit |
|-------------------------------------|-------------|---|-------------|-----|-----|------------------|
| | | | -04 | -05 | -06 | |
| Repetitive peak reverse voltage | V_{RRM} | | 400 | 500 | 600 | V |
| Non-repetitive peak reverse voltage | V_{RSM} | | 400 | 500 | 600 | V |
| Average forward current | $I_{F(AV)}$ | Resistive load ($T_a = 25^\circ\text{C}$) | 0.5 | | | A |
| Surge current | I_{FSM} | Sine wave 10ms | 10 | | | A |
| Operating junction temperature | T_j | | -40 to +150 | | | $^\circ\text{C}$ |
| Storage temperature | T_{stg} | | -40 to +150 | | | $^\circ\text{C}$ |

- Electrical characteristics ($T_a = 25^\circ\text{C}$ Unless otherwise specified)

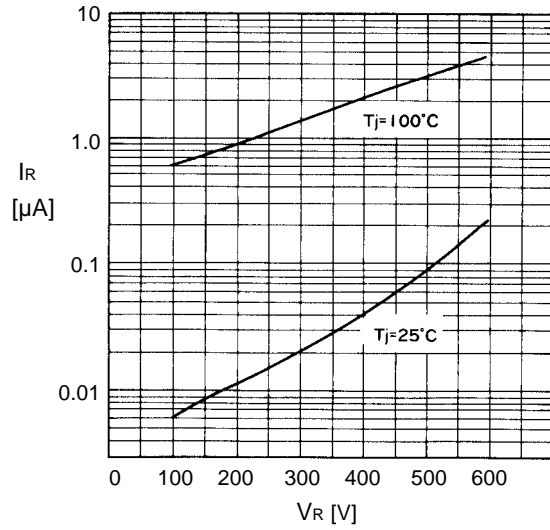
| Item | Symbol | Conditions | Max. | Unit |
|-----------------------|-----------|--|------|---------------|
| Forward voltage drop | V_{FM} | $I_{FM} = 0.5\text{A}$ | 2.5 | V |
| Reverse current | I_{RRM} | $V_R = V_{RRM}$ | 50 | μA |
| Reverse recovery time | t_{rr} | $I_F = 0.1\text{A}, I_R = 0.2\text{A}$ | 50 | ns |

■ Characteristics

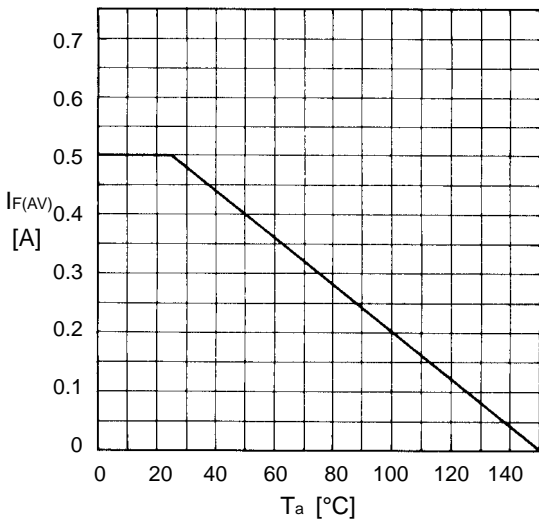
Forward characteristics



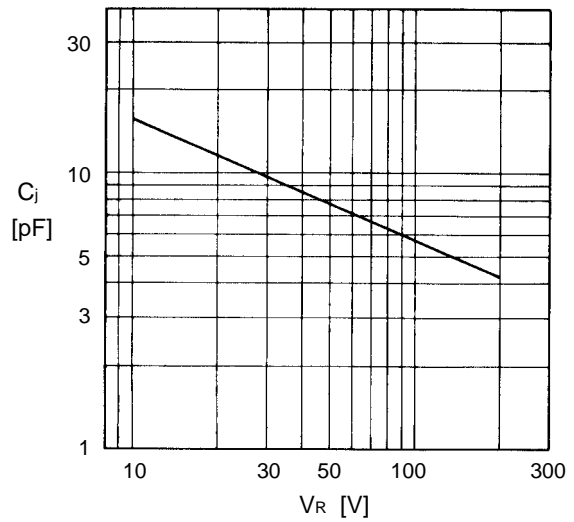
Reverse characteristics



Current derating ($I_{F(AV)}-T_a$)



Junction capacitance characteristics



Surge capability

