

### 一般整流用ダイオード

### GENERAL USE RECTIFIER DIODE

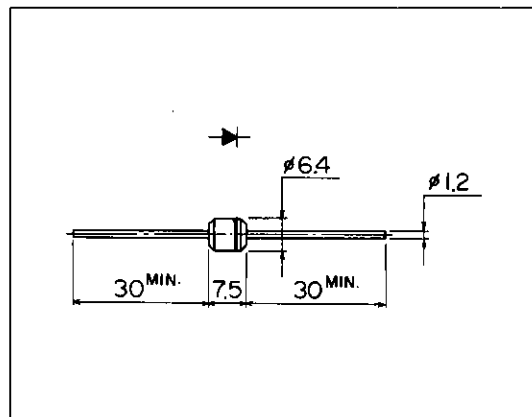
#### ■特長：Features

- 電圧系列が広い Wide voltage class
- 高信頼性 High reliability

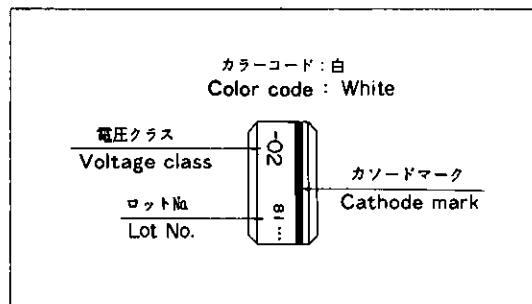
#### ■用途：Applications

- 電源整流  
General purpose rectifier applications

#### ■外形寸法：Outline Drawings



#### ■表示：Marking



#### ■定格と特性：Maximum Ratings and Characteristics

##### ●絶対最大定格：Absolute Maximum Ratings

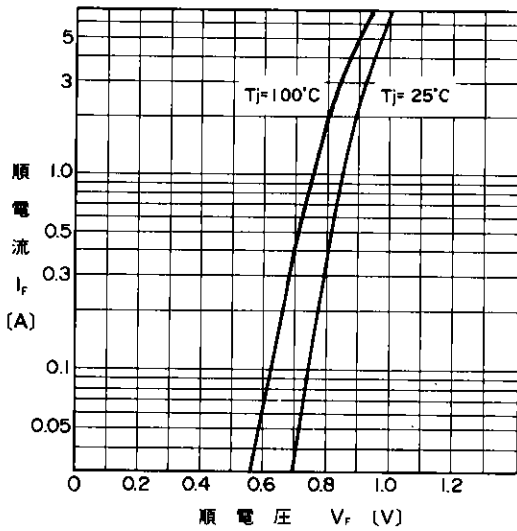
| Items   | Symbols     | Conditions                                      | Ratings    |     |     |      | Units            |
|---|-------------|---|------------|-----|-----|------|------------------|
|   |             |   | -02        | -04 | -06 | -10  |                  |
| ピーク繰り返し逆電圧<br>Repetitive Peak Reverse Voltage | $V_{RRM}$   |   | 200        | 400 | 600 | 1000 | V                |
| 平均順電流<br>Average Forward Current              | $I_{F(AV)}$ | 抵抗負荷 Resistive Load<br>$T_a = 60^\circ\text{C}$ | 1.5        |     |     |      | A                |
| サージ電流<br>Surge Current                        | $I_{FSM}$   | 正弦波 Sine Wave<br>10ms 無負荷状態より                   | 130        |     |     |      | A                |
| 接合温度<br>Operating Junction Temperature        | $T_j$       |   | -30 ~ +140 |     |     |      | $^\circ\text{C}$ |
| 保存温度<br>Storage Temperature                   | $T_{stg}$   |   | -30 ~ +140 |     |     |      | $^\circ\text{C}$ |

##### ●電気的特性(特に指定がない限り周囲温度 $T_a = 25^\circ\text{C}$ とする)

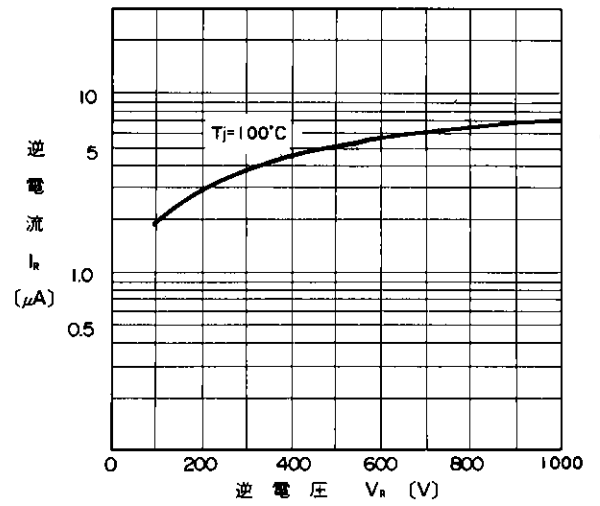
Electrical Characteristics ( $T_a = 25^\circ\text{C}$  Unless otherwise specified)

| Items                       | Symbols   | Conditions                                      | Max. | Units         |
|-----------------------------|-----------|---|------|---------------|
| 順電圧<br>Forward Voltage Drop | $V_{FM}$  | $T_j = 25^\circ\text{C}$ $I_{FM} = 4.0\text{A}$ | 1.1  | V             |
| 逆電流<br>Reverse Current      | $I_{RRM}$ | $T_j = 25^\circ\text{C}$ $V_R = V_{RRM}$        | 10   | $\mu\text{A}$ |

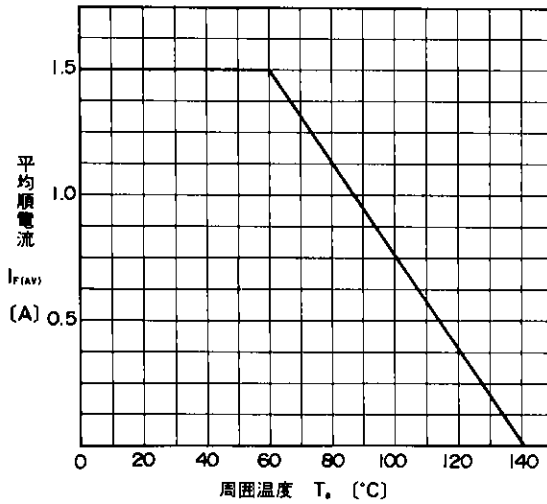
■特性曲線：Characteristics



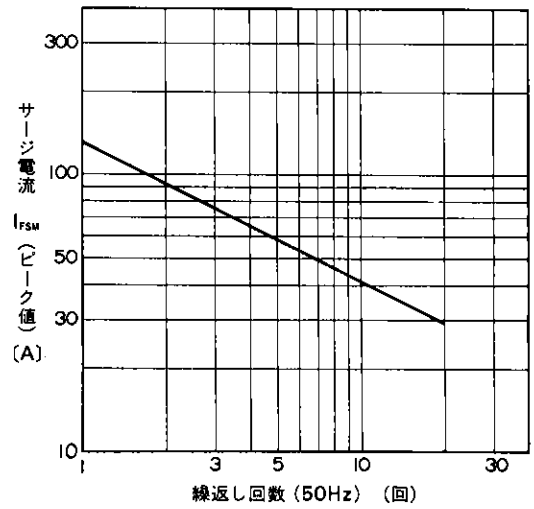
順特性 (代表特性)  
Forward Characteristics



逆特性 (代表特性)  
Reverse Characteristics



平均順電流—周囲温度特性  
Current Derating ( $I_{F(AV)}-T_a$ )



サージ電流耐量  
Surge Capability

A

For more information, contact:

**Collmer Semiconductor, Inc.**

P.O. Box 702708

Dallas, TX 75370

972-233-1589

972-233-0481 Fax

<http://www.collmer.com>