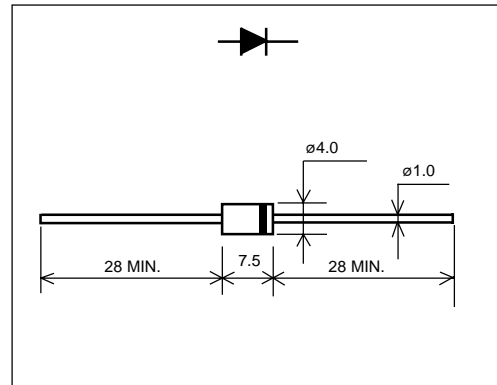


# ERC25 (1.2A)

( 400 to 600V / 1.2A )

## FAST RECOVERY DIODE

### ■ Outline drawings, mm



### ■ Features

- High voltage by mesa design
- High reliability

### ■ Applications

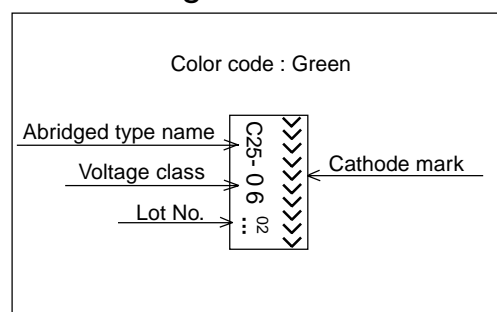
- High speed switching

### ■ Maximum ratings and characteristics

- Absolute maximum ratings

Item	Symbol	Conditions	Rating		Unit
			-04	-06	
Repetitive peak reverse voltage	$V_{RRM}$		400	600	V
Average forward current	$I_{F(AV)}$	Resistive load ( $T_a=40^\circ\text{C}$ )	1.2		A
Surge current	$I_{FSM}$	Sine wave 10ms	50		A
Operating junction temperature	$T_j$		-40 to +125		$^\circ\text{C}$
Storage temperature	$T_{stg}$		-40 to +125		$^\circ\text{C}$

### ■ Marking

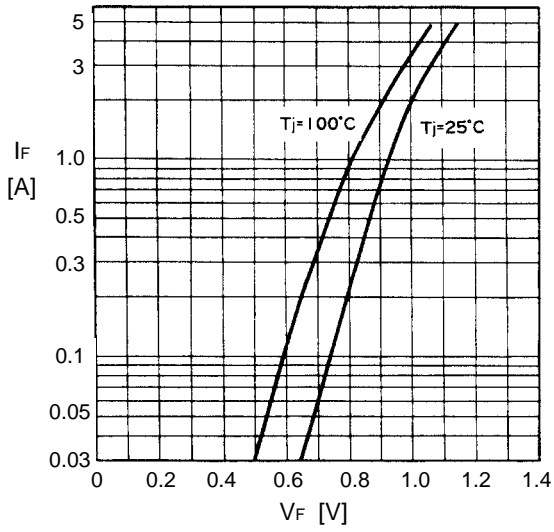


- Electrical characteristics ( $T_a=25^\circ\text{C}$  Unless otherwise specified)

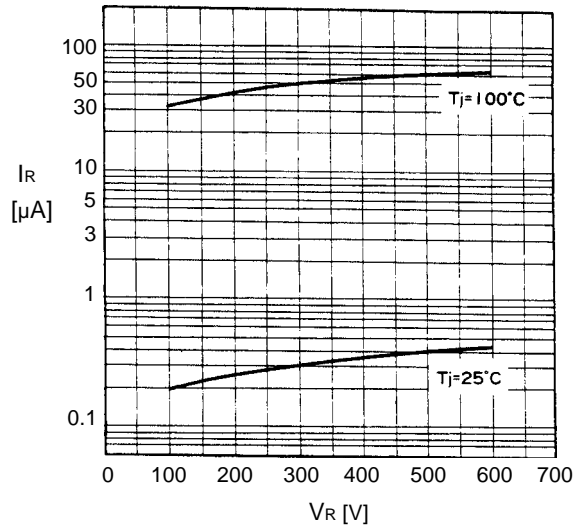
Item	Symbol	Conditions	Max.	Unit
Forward voltage drop	$V_{FM}$	$I_{FM}=1.2\text{A}$	1.1	V
Reverse current	$I_{RRM}$	$V_R=V_{RRM}$	10	$\mu\text{A}$
Reverse recovery time	$t_{rr}$	$I_F=0.1\text{A}, I_R=0.1\text{A}$	0.4	$\mu\text{s}$

■ Characteristics

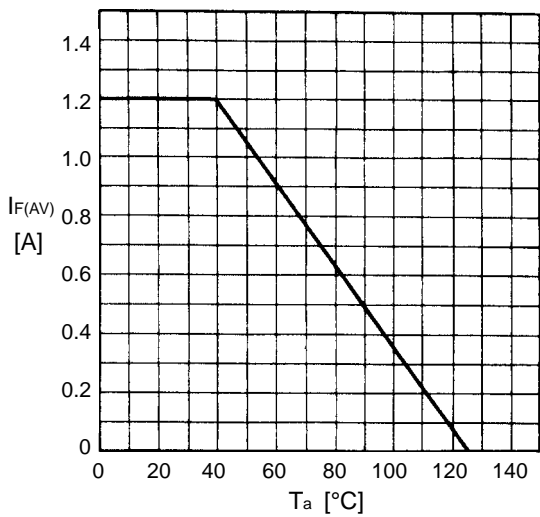
Forward characteristics



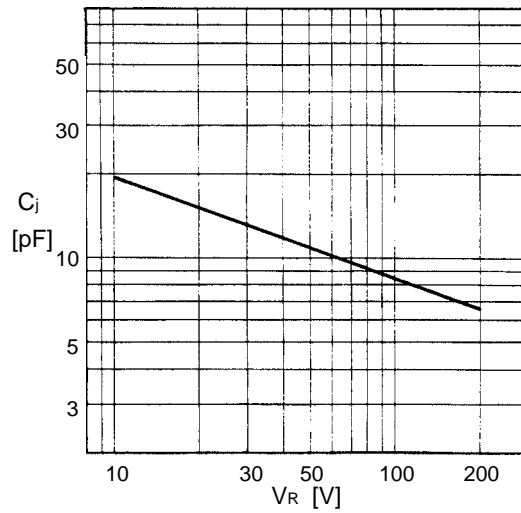
Reverse characteristics



Current derating ( $I_{F(AV)}-T_a$ )



Junction capacitance characteristics



Surge capability

