

FEATURES

- Ease of Use
- Small Heat Sink
- OSD Option
- EMI Control Option
- Excellent Gray Scale Linearity

APPLICATIONS

- CRT Displays for 1280 x 1024 Resolution with Pixel Clock Frequency up to 160MHz

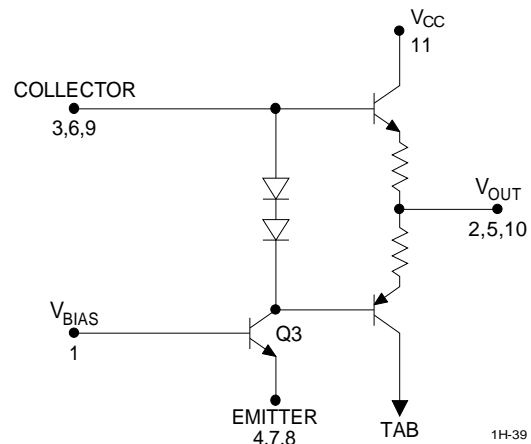
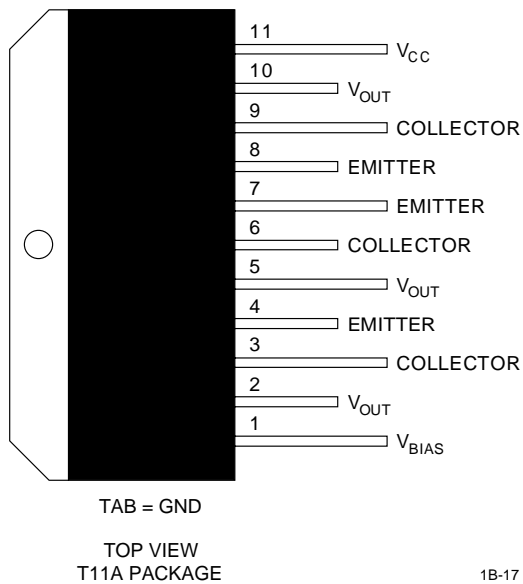
DESCRIPTION

The CVA2411TX is an improved low cost version that features excellent gray scale linearity with no crossover distortion and less EMI for 64KHz (horizontal scanning frequency) monitors. The CVA2411TX can be used with pre-amplifiers where the common emitter transistor is part of the pre-amp. With this device, OSD, peaking coil, and peaking capacitor can be available. A very small heat sink is required to pick-up ground from the standard TO220 package Tab. With 65MHz bandwidth, the device is an ideal low cost solution for 14", 15" and 17" monitors.

ORDERING INFORMATION

Part	Package	Temperature
CVA2411TX	T11A	-20°C to +100°C

CONNECTION DIAGRAM AND SIMPLIFIED SCHEMATIC



ABSOLUTE MAXIMUM RATINGS

Supply Voltage 95V
 Storage Temperature -25°C to +100°C

Operating Temperature -20°C to +100°C
 Lead Temperature +300°C

DC ELECTRICAL CHARACTERISTICS $T_{CASE} = +25^{\circ}C$

SYMBOL	CHARACTERISTICS	MIN	TYP	MAX	UNITS
BV _{CEO}	Collector-Emitter Breakdown Voltage ($I_c = 1mA$)	95			V
BV _{CBO}	Collector-Base Breakdown Voltage ($I_c = 100\mu A$)	100			V
BV _{EBO}	Emitter-Base Breakdown Voltage ($I_E = 100\mu A$)	3			V
H _{FE}	DC Current Gain ($I_c = 35mA$)	30	50		V
V _{BES}				0.95	
V _{CES}				0.3	
V _{BE(ON)}		0.6			
I _{CEO}				100	nA

AC ELECTRICAL CHARACTERISTICS $T_{CASE} = +25^{\circ}C$

SYMBOL	CHARACTERISTICS	MIN	TYP	MAX	UNITS
C _{ob}	Output Capacitance		3		pF
C _{cb}	Junction Capacitance		2		pF
C _{ib}	Input Capacitance		8		pF
f _t	Current Gain Bandwidth Product ($I_c = 35mA$)		150		MHz

FIGURE 1. TYPICAL CHARACTERISTICS

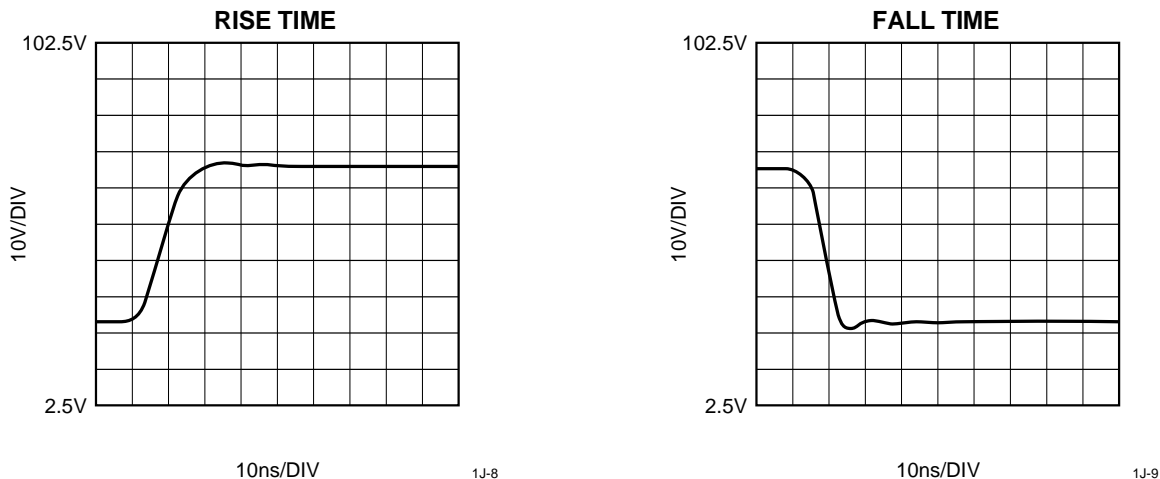
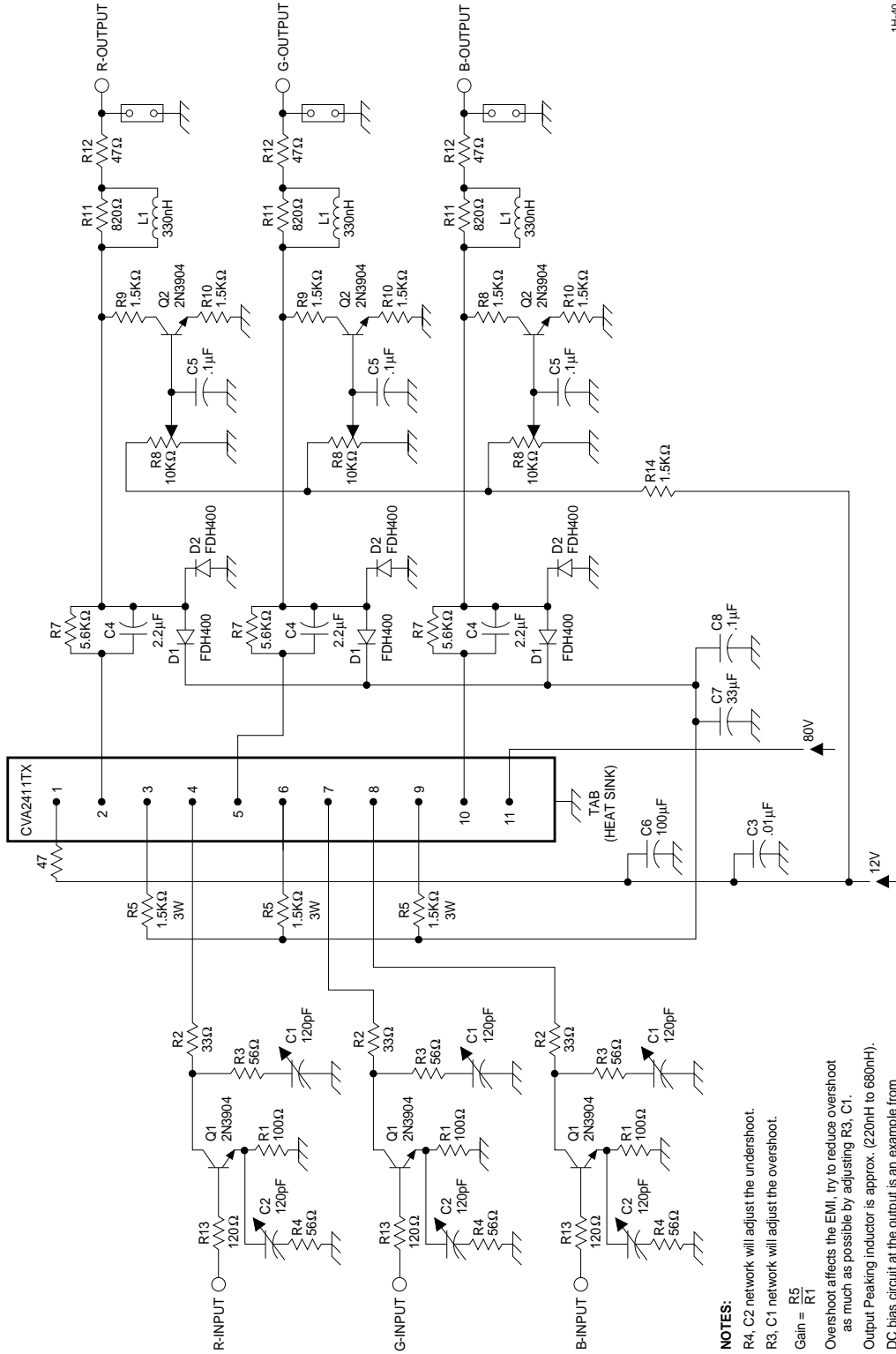


FIGURE 2. APPLICATION CIRCUIT



1H-40

