

6001

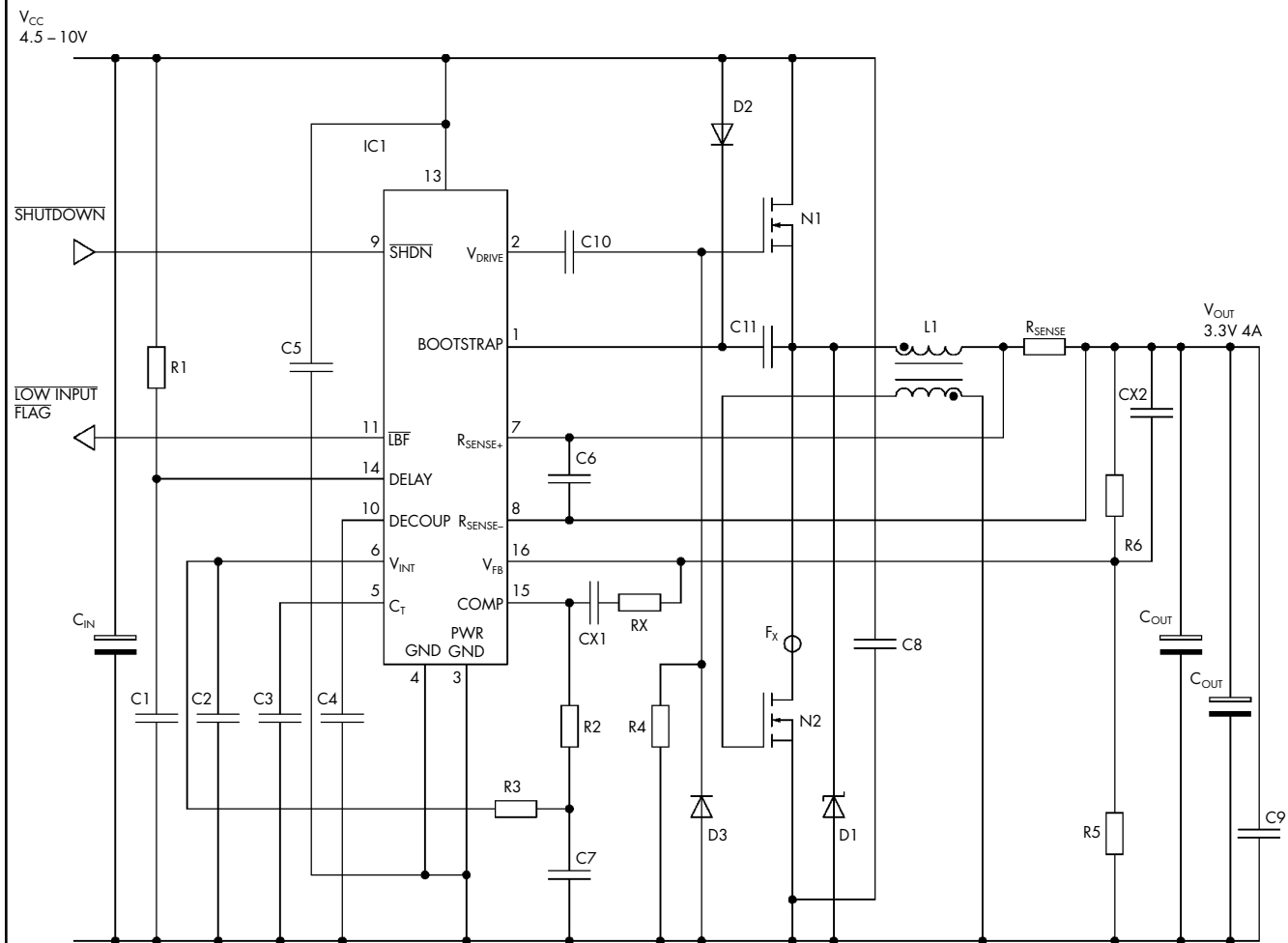
Zetex Compatible ZXRD1000 Inductor

APPLICATION NOTES

The 6001 inductor enables the basic architecture of a non synchronous converter to be used to generate synchronous operation without the need for complex circuitry and additional cost.

The 6001 generates a drive waveform that is inverted compared to the waveform at the main input to the inductor. This waveform can be used to drive the synchronous switch. The net result gives additional benefits and lowers the overall cost.

4.5V - 10V Input, 3.3V/4A Output, N Phase, High Efficiency SimpleSync™ Converter 200kHz



Reference Circuit published by kind permission of ZETEX Plc.

C&D Technologies (NCL) Limited reserve the right to alter or improve the specification, internal design or manufacturing process at any time, without notice. Please check with your supplier or visit our web site to ensure that you have the current and complete specification for your product before use.

© C&D Technologies (NCL) Limited 2000 NMP 6001.2

No part of this publication may be copied, transmitted or stored in a retrieval system or reproduced in any way including, but not limited to, photography, photocopy, magnetic or other recording means, without prior written permission from C&D Technologies (NCL) Limited.

Instructions for use are available from www.dc-dc.com

C&D Technologies (NCL) Ltd
Tanners Drive, Blakelands North
Milton Keynes MK14 5BU, England
Tel: +44 (0)1908 615232
Fax: +44 (0)1908 617545
email: info@cdechno-ncl.com

[www: http://www.dc-dc.com](http://www.dc-dc.com)

C&D Technologies (NCL), Inc.
8917 Glenwood Avenue, Raleigh
NC 27612, USA
Tel: +1 (919) 571-9405
Fax: +1 (919) 571-9262
email: info@us.cdechno-ncl.com

C&D TECHNOLOGIES
Power Solutions