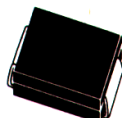




CMR2-02
 CMR2-04
 CMR2-06
 CMR2-10

**GENERAL PURPOSE RECTIFIER
 2.0 AMP, 200 THRU 1,000 VOLTS**



SMB CASE

CentralTM Semiconductor Corp.

FEATURES:

- LOW COST
- SPECIAL SELECTIONS AVAILABLE
- HIGH RELIABILITY
- SUPERIOR LOT TO LOT CONSISTENCY
- GLASS PASSIVATED CHIP
- "C" BEND CONSTRUCTION PROVIDES STRAIN RELIEF WHEN MOUNTED ON PC BOARD

DESCRIPTION:

The CENTRAL SEMICONDUCTOR 2.0 Amp Surface Mount Silicon Rectifier is a high quality, well constructed, highly reliable component designed for use in all types of commercial, industrial, entertainment, computer, and automotive applications. To order devices on 12mm Tape and Reel (3000/13" Reel), add TR13 suffix to part number.

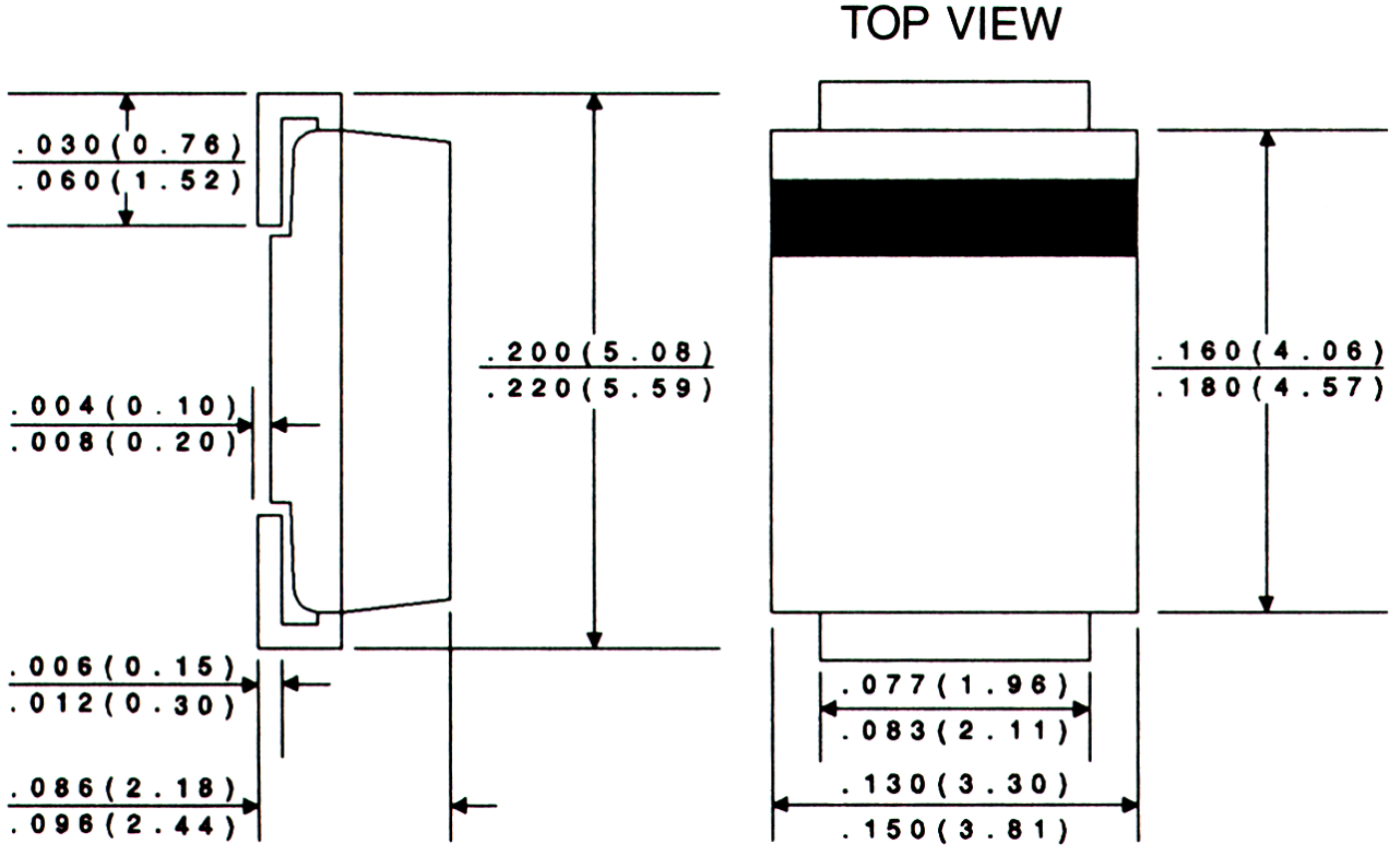
MAXIMUM RATINGS: ($T_A=25^{\circ}\text{C}$ unless otherwise noted)

	SYMBOL	CMR2-02	CMR2-04	CMR2-06	CMR2-10	UNITS
Peak Repetitive Reverse Voltage	V_{RRM}	200	400	600	1000	V
DC Blocking Voltage	V_R	200	400	600	1000	V
RMS Reverse Voltage	$V_{R(RMS)}$	140	280	420	700	V
Average Forward Current ($T_A=50^{\circ}\text{C}$)	I_O		2.0			A
Peak Forward Surge Current (8.3ms)	I_{FSM}		60			A
Operating and Storage						
Junction Temperature	T_J, T_{stg}		-65 to +150			$^{\circ}\text{C}$
Thermal Resistance	Θ_{JL}		20			$^{\circ}\text{C/W}$

ELECTRICAL CHARACTERISTICS: ($T_A=25^{\circ}\text{C}$ unless otherwise noted)

SYMBOL	TEST CONDITIONS	MIN	TYP	MAX	UNITS
V_F	$I_F=2.0\text{A}$			1.1	V
I_R	$V_R=\text{Rated } V_{RRM}$			0.5	μA
I_R	$V_R=\text{Rated } V_{RRM}, T_A=125^{\circ}\text{C}$			125	μA
t_{rr}	$I_F=0.5\text{A}, I_R=1.0\text{A}, \text{Recover to } 0.25\text{A}$			2.5	μs
C_J	$V_R=4.0\text{V}, f=1.0\text{MHz}$		30		pF

All dimensions in inches (mm).



Marking Codes:

DEVICE	MARKING CODE
CMR2-02	C202
CMR2-04	C204
CMR2-06	C206
CMR2-10	C210