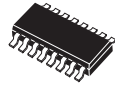


**MMPQ6700**  
**SURFACE MOUNT**  
**COMPLEMENTARY**  
**SILICON QUAD TRANSISTORS**



**SOIC-16 CASE**

# Central<sup>TM</sup>

**Semiconductor Corp.**

**DESCRIPTION:**

The CENTRAL SEMICONDUCTOR MMPQ6700, consisting of two complementary pairs of transistors, available in the SOIC-16 surface mount package, is designed for general purpose amplifier and switching applications.

**MAXIMUM RATINGS** ( $T_A=25^\circ\text{C}$ )

	<u>SYMBOL</u>		<u>UNITS</u>
Collector-Base Voltage	$V_{CB0}$	40	V
Collector-Emitter Voltage	$V_{CEO}$	40	V
Emitter-Base Voltage	$V_{EBO}$	5.0	V
Continuous Collector Current	$I_C$	200	mA
Power Dissipation	$P_D$	1000	mW
Operating and Storage			
Junction Temperature	$T_J, T_{stg}$	-55 to +150	$^\circ\text{C}$
Thermal Resistance (Total Package)	$\theta_{JA}$	125	$^\circ\text{C/W}$
Thermal Resistance (Each Transistor)	$\theta_{JA}$	240	$^\circ\text{C/W}$

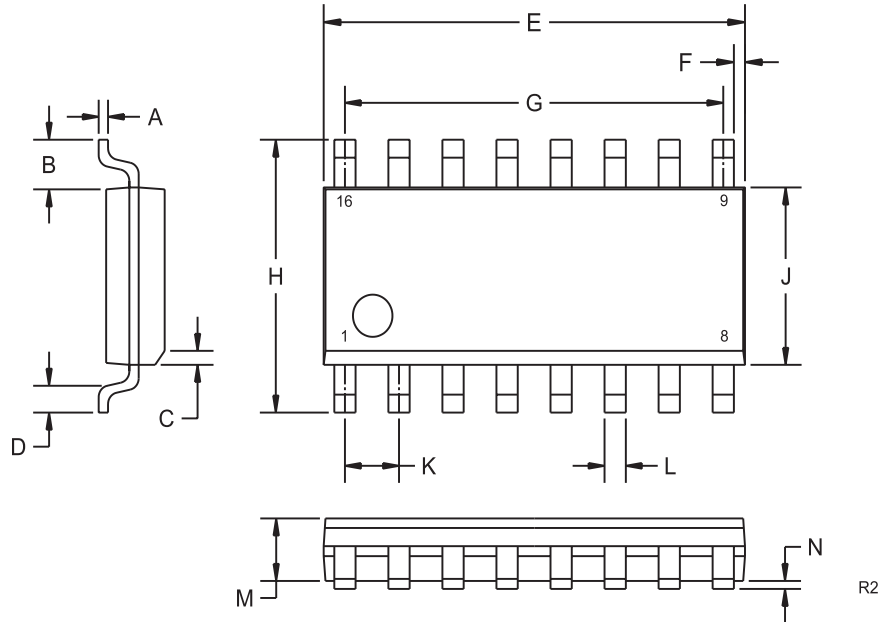
**ELECTRICAL CHARACTERISTICS:** ( $T_A=25^\circ\text{C}$  unless otherwise noted)

<u>SYMBOL</u>	<u>TEST CONDITIONS</u>	<u>MIN</u>	<u>TYP</u>	<u>MAX</u>	<u>UNITS</u>
$I_{CB0}$	$V_{CB}=30\text{V}$			50	nA
$I_{EBO}$	$V_{BE}=4.0\text{V}$			50	nA
$BV_{CEO}$	$I_C=10\text{mA}$	40			V
$BV_{CBO}$	$I_C=10\mu\text{A}$	40			V
$BV_{EBO}$	$I_E=10\mu\text{A}$	5.0			V
$V_{CE(SAT)}$	$I_C=10\text{mA}, I_B=1.0\text{mA}$			0.25	V
$V_{BE(SAT)}$	$I_C=10\text{mA}, I_B=1.0\text{mA}$			0.90	V
$h_{FE}$	$V_{CE}=1.0\text{V}, I_C=0.1\text{mA}$	30			
$h_{FE}$	$V_{CE}=1.0\text{V}, I_C=1.0\text{mA}$	50			
$h_{FE}$	$V_{CE}=1.0\text{V}, I_C=10\text{mA}$	70			
$f_T$	$V_{CE}=20\text{V}, I_C=10\text{mA}, f=100\text{MHz}$	200			MHz
$C_{ib}$	$V_{EB}=0.5\text{V}, f=1.0\text{kHz}$			10	pF
$C_{ob}$	$V_{CB}=5.0\text{V}, I_E=0, f=100\text{kHz}$			4.5	pF

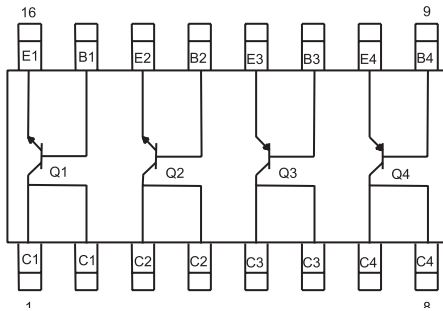
R0 ( 7-November 2001)

**SMD COMPLEMENTARY  
SILICON QUAD  
TRANSISTORS**

**SOIC-16 CASE - MECHANICAL OUTLINE**



**PIN CONFIGURATION**



SYMBOL	DIMENSIONS			
	INCHES		MILLIMETERS	
	MIN	MAX	MIN	MAX
A	0.007	0.010	0.19	0.25
B	0.041		1.04	
C	0.010	0.020	0.25	0.50
D	0.020	0.035	0.50	0.90
E	0.386	0.394	9.80	10.00
F	0.010		0.25	
G	0.350		8.89	
H	0.228	0.244	5.80	6.20
J	0.150	0.157	3.80	4.00
K	0.050		1.27	
L	0.0138	0.0201	0.35	0.51
M	0.0531	0.0689	1.35	1.75
N	0.0039	0.0098	0.10	0.25

SOIC-16 (REV:R2)