

CMSH2-20  
CMSH2-40  
CMSH2-60

**NEW!** CMSH2-100

**SCHOTTKY BARRIER RECTIFIER  
2.0 AMP, 20 THRU 100 VOLTS**



**SMB CASE**

## FEATURES:

- LOW COST
- SUPERIOR LOT TO LOT CONSISTENCY
- HIGH RELIABILITY
- "C" BEND CONSTRUCTION PROVIDES STRAIN RELIEF WHEN MOUNTED ON PC BOARD
- SPECIAL SELECTIONS AVAILABLE

## DESCRIPTION:

The CENTRAL SEMICONDUCTOR 2.0 Amp Surface Mount Silicon Schottky Rectifier is a high quality, well constructed, highly reliable component designed for use in all types of commercial, industrial, entertainment, computer, and automotive applications. To order devices on 12mm Tape and Reel (3000/13" Reel), add TR13 suffix to part number.

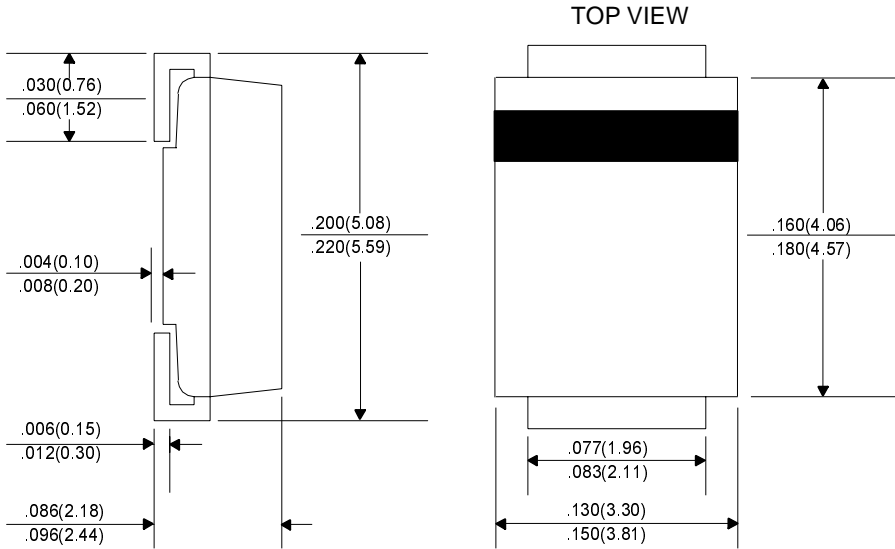
## MAXIMUM RATINGS: (T<sub>A</sub>=25°C unless otherwise noted)

	SYMBOL	CMSH2 <u>-20</u>	CMSH2 <u>-40</u>	CMSH2 <u>-60</u>	CMSH2 <u>-100</u>	
<b>UNITS</b>						
Peak Repetitive Reverse Voltage	V <sub>RRM</sub>	20	40	60	100	V
DC Blocking Voltage	V <sub>R</sub>	20	40	60	100	V
RMS Reverse Voltage	V <sub>R(RMS)</sub>	14	28	42	71	V
Average Forward Current(T <sub>A</sub> =55°C)	I <sub>O</sub>			2.0		A
Peak Forward Surge Current (8.3ms)	I <sub>FSM</sub>			50		A
Operating and Storage						
Junction Temperature	T <sub>J</sub> , T <sub>stg</sub>		-65 to +150			°C
Thermal Resistance	Θ <sub>JL</sub>		20			°C/W

## ELECTRICAL CHARACTERISTICS: (T<sub>A</sub>=25°C unless otherwise noted)

SYMBOL	TEST CONDITIONS	MIN	TYP	MAX	UNITS
I <sub>R</sub>	V <sub>R</sub> =Rated V <sub>RRM</sub>			0.50	mA
I <sub>R</sub>	V <sub>R</sub> =Rated V <sub>RRM</sub> , T <sub>A</sub> =100°C			20	mA
V <sub>F</sub>	I <sub>F</sub> =2.0A (CMSH2-20 AND CMSH2-40)			0.50	V
V <sub>F</sub>	I <sub>F</sub> =2.0A (CMSH2-60)			0.70	V
V <sub>F</sub>	I <sub>F</sub> =2.0A (CMSH2-100)			0.85	V
C <sub>J</sub>	V <sub>R</sub> =4.0V, f=1.0MHz, (CMSH2-20 AND CMSH2-40)		150		pF
C <sub>J</sub>	V <sub>R</sub> =4.0V, f=1.0MHz, (CMSH2-60 AND CMSH2-100)		120		pF

All dimensions in inches (mm).



**Marking Codes:**

DEVICE	MARKING CODE
CMSH2-20	CS220
CMSH2-40	CS240
CMSH2-60	CS260
CMSH2-100	CS2100