

NEW

CMSH3-20M
CMSH3-40M
CMSH3-60M
CMSH3-100M

HIGH DENSITY
SCHOTTKY BARRIER RECTIFIER
3.0 AMP, 20 THRU 100 VOLTS

HIGH DENSITY
S C H O T T K Y



SMB CASE

CentralTM

Semiconductor Corp.

FEATURES:

- HIGH CURRENT CAPABILITY
- FLAMMABILITY CLASSIFICATION UL94V-0
- HIGH DENSITY, SUPER MINI DEVICE
- SUPERIOR LOT TO LOT CONSISTENCY
- LOW COST
- "C" BEND CONSTRUCTION PROVIDES STRAIN RELIEF WHEN MOUNTED ON PC BOARD
- HIGH RELIABILITY

DESCRIPTION:

The CENTRAL SEMICONDUCTOR 3.0 Amp Surface Mount Silicon Schottky Rectifier is a high quality, well constructed, highly reliable component designed for use in all types of commercial, industrial, entertainment, computer, and automotive applications. To order devices on 12mm Tape and Reel (3000/13" Reel), add TR13 suffix to part number.

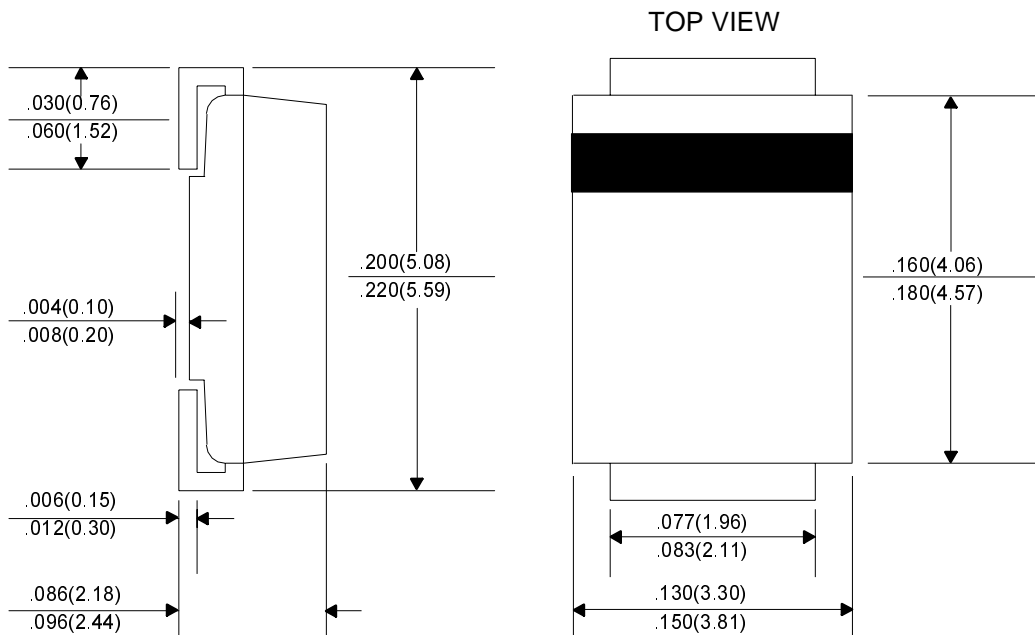
MAXIMUM RATINGS: ($T_A=25^{\circ}\text{C}$ unless otherwise noted)

CMSH3	SYMBOL	CMSH3				UNITS
		-20M	-40M	-60M	-100M	
Peak Repetitive Reverse Voltage	V_{RRM}	20	40	60	100	V
DC Blocking Voltage	V_R	20	40	60	100	V
RMS Reverse Voltage	$V_R(\text{RMS})$	14	28	42	71	V
Average Forward Current ($T_L=75^{\circ}\text{C}$)	I_O			3.0		A
Peak Forward Surge Current (8.3ms)	I_{FSM}			80		A
Operating and Storage						
Junction Temperature	T_J, T_{stg}		-65 to +150			$^{\circ}\text{C}$
Thermal Resistance	θ_{JL}		20			$^{\circ}\text{C}/\text{W}$

ELECTRICAL CHARACTERISTICS: ($T_A=25^{\circ}\text{C}$ unless otherwise noted)

SYMBOL	TEST CONDITIONS	MIN	TYP	MAX	UNITS
I_R	$V_R=\text{Rated } V_{RRM}$			500	μA
I_R	$V_R=\text{Rated } V_{RRM}, T_A=100^{\circ}\text{C}$			20	mA
V_F	$I_F=3.0\text{A}$ (CMSH3-20M AND CMSH3-40M)			0.55	V
V_F	$I_F=3.0\text{A}$ (CMSH3-60M)			0.75	V
V_F	$I_F=3.0\text{A}$ (CMSH3-100M)			0.85	V
C_J	$V_R=4.0\text{V}, f=1.0\text{MHz}$		280		pF

All Dimensions in Inches (mm).



Marking Codes:

DEVICE	MARKING CODE
CMSH3-20M	CS320M
CMSH3-40M	CS340M
CMSH3-60M	CS360M
CMSH3-100M	CS3100M