

**NEW**

**CMSH5-20**  
**CMSH5-40**  
**CMSH5-60**  
**CMSH5-100**

**HIGH DENSITY**  
**SCHOTTKY BARRIER RECTIFIER**  
**5.0 AMP, 20 THRU 100 VOLTS**

**FEATURES:**

- LOW COST
- SUPERIOR LOT TO LOT CONSISTENCY
- HIGH RELIABILITY
- "C" BEND CONSTRUCTION PROVIDES STRAIN RELIEF WHEN MOUNTED ON PC BOARD
- SPECIAL SELECTIONS AVAILABLE

**HIGH DENSITY**  
**S C H O T T K Y**



**SMC CASE**

**DESCRIPTION:**

The CENTRAL SEMICONDUCTOR 5.0 Amp Surface Mount Silicon Schottky Rectifier is a high quality, well constructed, highly reliable component designed for use in all types of commercial, industrial, entertainment, computer, and automotive applications. To order devices on 16mm Tape and Reel (3000/13" Reel), add TR13 suffix to part number.

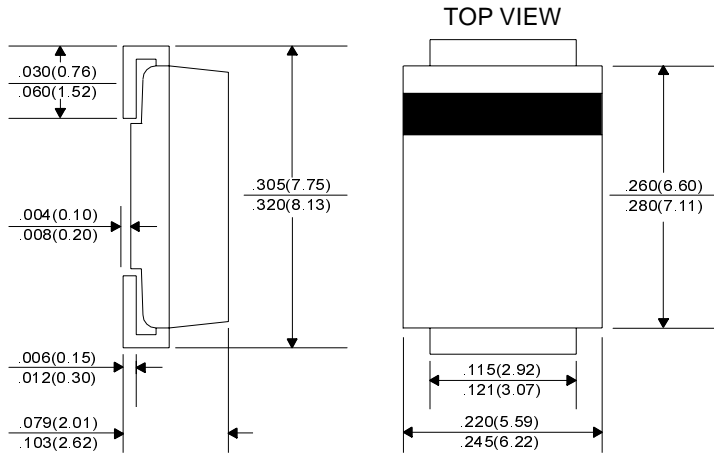
**MAXIMUM RATINGS:** (T<sub>A</sub>=25°C unless otherwise noted)

	SYMBOL	CMSH5 <u>-20</u>	CMSH5 <u>-40</u>	CMSH5 <u>-60</u>	CMSH5 <u>-100</u>	UNITS
Peak Repetitive Reverse Voltage	V <sub>RRM</sub>	20	40	60	100	V
DC Blocking Voltage	V <sub>R</sub>	20	40	60	100	V
RMS Reverse Voltage	V <sub>R</sub> (RMS)	14	28	42	71	V
Average Forward Current (T <sub>A</sub> =75°C)	I <sub>O</sub>			5.0		A
Peak Forward Surge Current (8.3ms)	I <sub>FSM</sub>			125		A
Operating and Storage Junction Temperature	T <sub>J</sub> , T <sub>stg</sub>			-65 to +150		°C
Thermal Resistance	θ <sub>JL</sub>			10		°C/W

**ELECTRICAL CHARACTERISTICS:** (T<sub>A</sub>=25°C unless otherwise noted)

SYMBOL	TEST CONDITIONS	MIN	TYP	MAX	UNITS
I <sub>R</sub>	V <sub>R</sub> =Rated V <sub>RRM</sub>			3.0	mA
I <sub>R</sub>	V <sub>R</sub> =Rated V <sub>RRM</sub> , T <sub>A</sub> =100°C			20	mA
V <sub>F</sub>	I <sub>F</sub> =5.0A (CMSH5-20 AND CMSH5-40)			0.55	V
V <sub>F</sub>	I <sub>F</sub> =5.0A (CMSH5-60)			0.75	V
V <sub>F</sub>	I <sub>F</sub> =5.0A (CMSH5-100)			0.85	V

All Dimensions in Inches (mm).



**Marking Codes:**

DEVICE	MARKING CODE
CMSH5-20	CS520
CMSH5-40	CS540
CMSH5-60	CS560
CMSH5-100	CS5100