



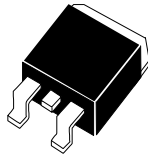
CSHDD16-40C  
CSHDD16-60C  
CSHDD16-100C

SILICON SCHOTTKY RECTIFIERS  
DUAL, COMMON CATHODE  
16 AMP, 40 THRU 100 VOLTS

**Central**<sup>TM</sup>  
Semiconductor Corp.

**FEATURES:**

- HIGH RELIABILITY
- LOW FORWARD VOLTAGE
- HIGH CURRENT CAPABILITY
- HIGH SURGE CAPACITY
- UL FLAMMABILITY CLASSIFICATION 94V-0
- SUPERIOR LOT TO LOT CONSISTENCY
- LOW POWER LOSS, HIGH EFFECIENCY
- HIGH VOLTAGE



**D<sup>2</sup>PAK CASE**

**DESCRIPTION:**

The CENTRAL SEMICONDUCTOR CSHDD16-40C Series types are Silicon Schottky Rectifiers designed for surface mount fast switching applications requiring a low forward voltage drop. To order devices on 24mm Tape and Reel ( 800/13" Reel ), add TR13 suffix to part number.

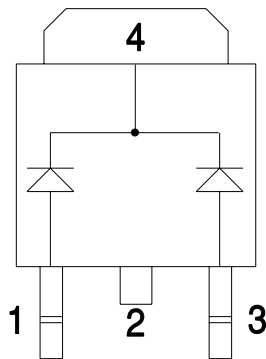
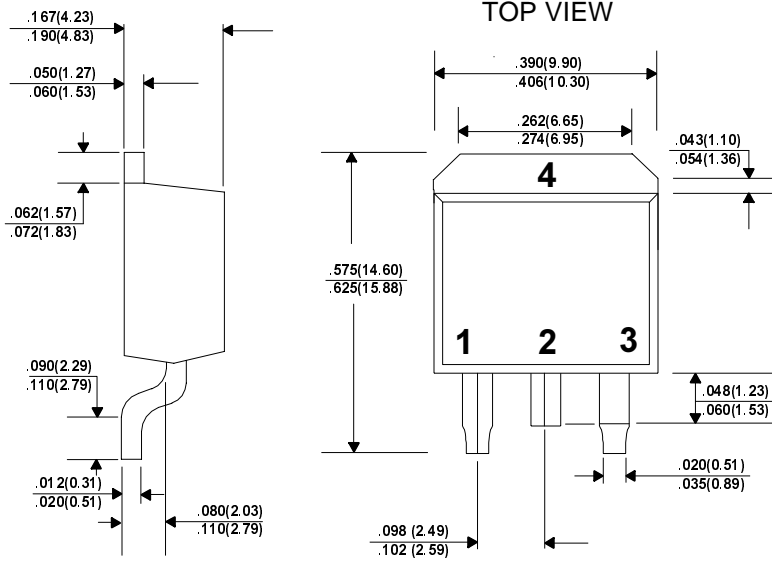
**MAXIMUM RATINGS:** (T<sub>C</sub>=25°C unless otherwise noted)

	SYMBOL	CSHDD16 -40C	CSHDD16 -60C	CSHDD16 -100C	UNITS
Peak Repetitive Reverse Voltage	V <sub>RRM</sub>	40	60	100	V
DC Blocking Voltage	V <sub>R</sub>	40	60	100	V
RMS Reverse Voltage	V <sub>R(RMS)</sub>	26	42	80	V
Average Forward Current (T <sub>C</sub> =90°C)	I <sub>O</sub>		16		A
Peak Forward Surge Current (8.3ms)	I <sub>FSM</sub>		150		A
Critical Rate of Rise of Reverse Voltage	dV/dt		10,000		V/μs
Operating and Storage					
Junction Temperature	T <sub>J</sub> , T <sub>stg</sub>		-65 to +150		°C
Typical Thermal Resistance	Θ <sub>JC</sub>		2.0		°C/W
Typical Thermal Resistance	Θ <sub>JA</sub>		50		°C/W

**ELECTRICAL CHARACTERISTICS PER DIODE:** (T<sub>C</sub>=25°C unless otherwise noted)

SYMBOL	TEST CONDITIONS	CSHDD16 -40C		CSHDD16 -60C		CSHDD16 -100		UNITS
		TYP	MAX	TYP	MAX	TYP	MAX	
I <sub>R</sub>	V <sub>R</sub> =Rated V <sub>RRM</sub>		100		100		100	μA
I <sub>R</sub>	V <sub>R</sub> =Rated V <sub>RRM</sub> , T <sub>C</sub> = 125°C		15		15		15	mA
V <sub>F</sub>	I <sub>F</sub> =8.0A		0.65		0.75		0.85	V
V <sub>F</sub>	I <sub>F</sub> =8.0A, T <sub>C</sub> = 125°C		0.57		0.65		0.75	V
V <sub>F</sub>	I <sub>F</sub> =16A		0.84		0.95		1.10	V
V <sub>F</sub>	I <sub>F</sub> =16A, T <sub>C</sub> = 125°C		0.72		0.85		1.00	V
C <sub>J</sub>	V <sub>R</sub> =4.0V, f=1.0MHz	300		300		300		pF

All Dimensions in Inches (mm).



LEAD CODE:

- 1) ANODE#1
- 2) CATHODE
- 3) ANODE #2
- 4) CATHODE

PIN 2 IS COMMON TO THE TAB(4)