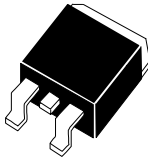




CSHDD8-40
CSHDD8-60
CSHDD8-100

**SILICON SCHOTTKY RECTIFIERS
SINGLE, 8.0 AMP, 40 THRU 100 VOLTS**



D²PAK CASE

CentralTM Semiconductor Corp.

FEATURES:

- HIGH RELIABILITY
- LOW FORWARD VOLTAGE
- HIGH CURRENT CAPABILITY
- HIGH SURGE CAPACITY
- UL FLAMMABILITY CLASSIFICATION 94V-O
- SUPERIOR LOT TO LOT CONSISTENCY
- LOW POWER LOSS, HIGH EFFECIENCY
- HIGH VOLTAGE

DESCRIPTION:

The CENTRAL SEMICONDUCTOR CSHDD8-40 Series types are Silicon Schottky Rectifiers designed for surface mount fast switching applications requiring a low forward voltage drop. To order devices on 24mm Tape and Reel (800/13" Reel), add TR13 suffix to part number.

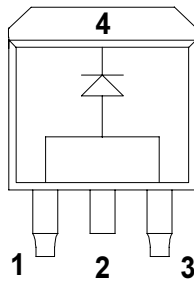
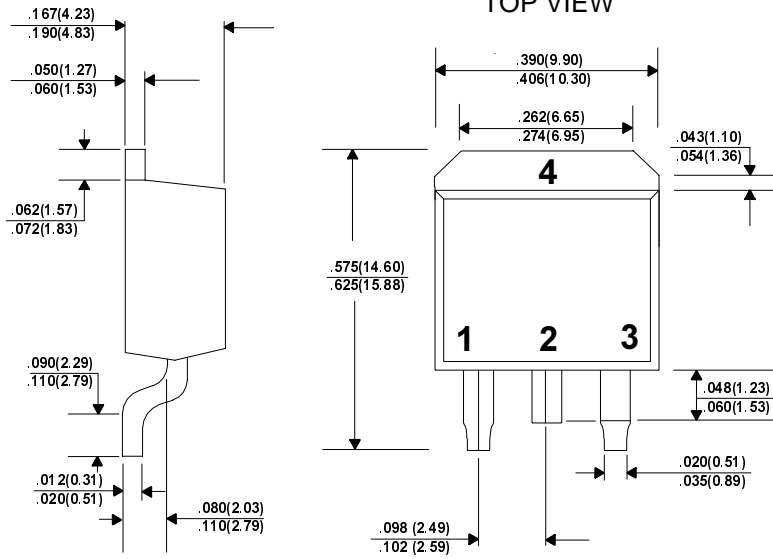
MAXIMUM RATINGS: ($T_C=25^{\circ}\text{C}$ unless otherwise noted)

	<u>SYMBOL</u>	<u>CSHDD8-40</u>	<u>CSHDD8-60</u>	<u>CSHDD8-100</u>	<u>UNITS</u>
Peak Repetitive Reverse Voltage	V_{RRM}	40	60	100	V
DC Blocking Voltage	V_R	40	60	100	V
RMS Reverse Voltage	$V_{R(RMS)}$	28	42	70	V
Average Forward Current ($T_C=100^{\circ}\text{C}$)	I_O		8.0		A
Peak Forward Surge Current (8.3ms)	I_{FSM}		150		A
Critical Rate of Rise of Reverse Voltage	dV/dt		10,000		V/ μs
Operating and Storage					
Junction Temperature	T_J, T_{stg}		-65 to +150		$^{\circ}\text{C}$
Typical Thermal Resistance	Θ_{JC}		2.0		$^{\circ}\text{C}/\text{W}$
Typical Thermal Resistance	Θ_{JA}		50		$^{\circ}\text{C}/\text{W}$

ELECTRICAL CHARACTERISTICS: ($T_C=25^{\circ}\text{C}$ unless otherwise noted)

SYMBOL	TEST CONDITIONS	<u>CSHDD8-40</u>		<u>CSHDD8-60</u>		<u>CSHDD8-100</u>		UNITS
		TYP	MAX	TYP	MAX	TYP	MAX	
I_R	V_R =Rated V_{RRM}		100		100		100	μA
I_R	V_R =Rated $V_{RRM}, T_C=125^{\circ}\text{C}$		15		15		15	mA
V_F	$I_F=8.0\text{A}$		0.65		0.75		0.85	V
V_F	$I_F=8.0\text{A}, T_C=125^{\circ}\text{C}$		0.57		0.65		0.75	V
V_F	$I_F=16\text{A}$		0.84		0.95		1.10	V
V_F	$I_F=16\text{A}, T_C=125^{\circ}\text{C}$		0.72		0.85		1.00	V
C_J	$V_R=4.0\text{V}, f=1.0\text{MHz}$	300		300		300		pF

All Dimensions in Inches (mm).



LEAD CODE:
 1) ANODE
 2) CATHODE
 3) ANODE
 4) CATHODE

PIN 2 IS COMMON TO THE TAB(4)