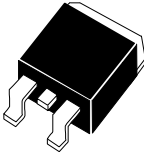




**CUDD16-02C
CUDD16-04C
CUDD16-08C**

**ULTRA FAST RECOVERY RECTIFIERS
DUAL, COMMON CATHODE
16 AMP, 200 THRU 800 VOLTS**



D²PAK CASE

FEATURES:

- HIGH RELIABILITY
- LOW FORWARD VOLTAGE
- HIGH CURRENT CAPABILITY
- HIGH SURGE CAPACITY
- UL FLAMMABILITY CLASSIFICATION 94V-0
- SUPERIOR LOT TO LOT CONSISTENCY
- ULTRA FAST RECOVERY TIME
- HIGH VOLTAGE

DESCRIPTION:

The CENTRAL SEMICONDUCTOR CUDD16-02C Series types are a Silicon Ultra-Fast Recovery Rectifier designed for surface mount ultra fast switching applications requiring a low forward voltage drop. To order devices on 24mm Tape and Reel (800/13" Reel), add TR13 suffix to part number.

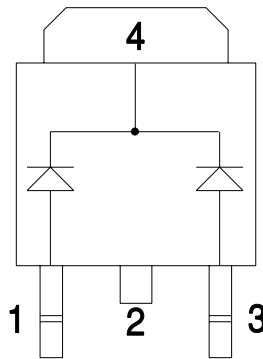
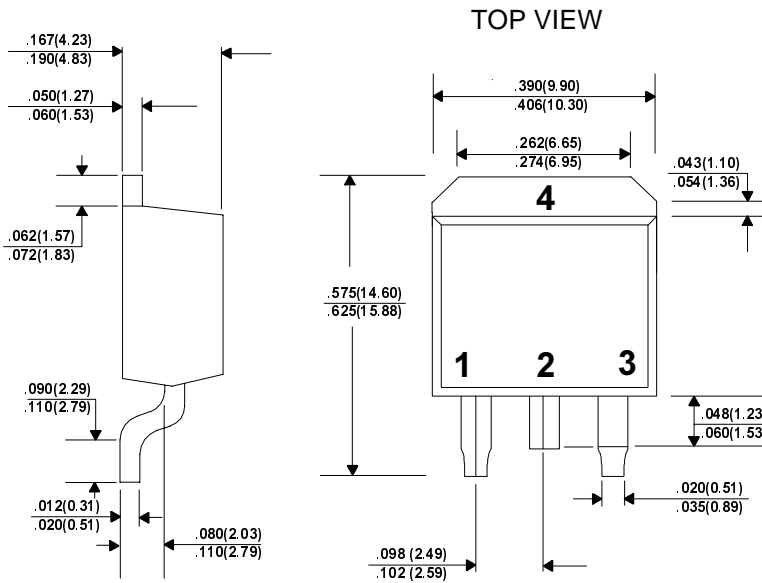
MAXIMUM RATINGS: (T_C=25°C unless otherwise noted)

	SYMBOL	CUDD16 <u>-02C</u>	CUDD16 <u>-04C</u>	CUDD16 <u>-08C</u>	UNITS
Peak Repetitive Reverse Voltage	V _{RRM}	200	400	800	V
DC Blocking Voltage	V _R	200	400	800	V
RMS Reverse Voltage	V _{R(RMS)}	140	280	560	V
Average Forward Current (T _C =100°C)	I _O		16		A
Peak Forward Surge Current (8.3ms)	I _{FSM}		125		A
Operating and Storage					
Junction Temperature	T _J , T _{stg}		-50 to +150		°C
Typical Thermal Resistance	θ _{JC}		3.0		°C/W
Typical Thermal Resistance	θ _{JA}		50		°C/W

ELECTRICAL CHARACTERISTICS PER DIODE: (T_C=25°C unless otherwise noted)

SYMBOL	TEST CONDITIONS	CUDD16-02C		CUDD16-04C		CUDD16-08C		UNITS
		TYP	MAX	TYP	MAX	TYP	MAX	
I _R	V _R =Rated V _{RRM}		5.0		10		10	μA
I _R	V _R =Rated V _{RRM} , T _C = 150°C		250		500		500	μA
V _F	I _F =8.0A		0.975		1.3		1.5	V
V _F	I _F =8.0A, T _C = 150°C		0.895		1.1		1.2	V
t _{rr}	I _F =0.5A, I _R =1.0A, I _{RR} =0.25A		25		25		50	ns
C _J	V _R =4.0V, f=1.0MHZ		80		80		50	pF

All Dimensions in Inches (mm).



LEAD CODE:

- 1) ANODE#1
- 2) CATHODE
- 3) ANODE #2
- 4) CATHODE

PIN 2 IS COMMON TO THE TAB(4)