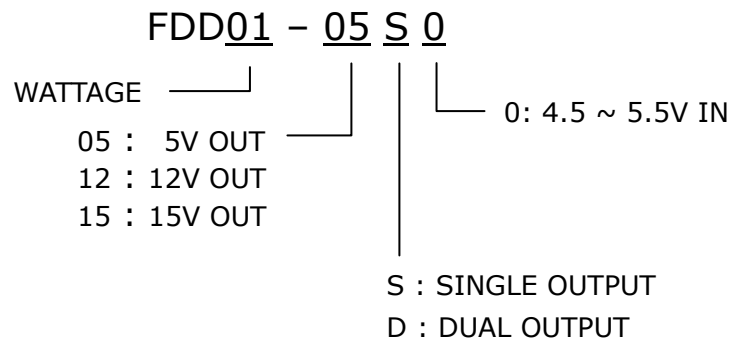


FDD01SERIES

DC-DC CONVERTER 1W



MODEL LIST

MODEL NO.	INPUT VOLTAGE	OUTPUT WATTAGE	OUTPUT VOLTAGE	OUTPUT CURRENT	EFF. (MIN.)	CASE
Single Output Models						
FDD01 - 05S0	4.5~5.5 VDC	1 WATTS	+ 5 VDC	200 mA	53%	FC
FDD01 - 12S0	4.5~5.5 VDC	1 WATTS	+ 12 VDC	84 mA	58%	FC
FDD01 - 15S0	4.5~5.5 VDC	1 WATTS	+ 15 VDC	66 mA	58%	FC
Dual Output Models						
FDD01 - 05D0	4.5~5.5 VDC	1 WATTS	± 5 VDC	± 100 mA	53%	FC
FDD01 - 12D0	4.5~5.5 VDC	1 WATTS	± 12 VDC	± 42 mA	58%	FC
FDD01 - 15D0	4.5~5.5 VDC	1 WATTS	± 15 VDC	± 33 mA	58%	FC

FEATURES

- * LOW COST
- * INPUT 5 V ± 10%
- * DIL24 PACKAGE
- * I/O ISOLATION
- * SHORT CIRCUIT PROTECTION
- * 2 YEARS WARRANTY

DESCRIPTION

THE FDD01 SERIES IS A 5 VDC INPUT, 1 WATT SINGLE & DUAL OUTPUT DC/DC CONVERTERS. HIGH EFFICIENCY, GOOD REGULATION, WITH I/O ISOLATION AND SHORT CIRCUIT PROTECTION FEATURES MAKE IT SUITABLE TO BE USED ON VARIABLE COMMERCIAL & INDUSTRIAL TYPE OF ELECTRONICS CIRCUIT APPLICATIONS WITH VERY LOW COST. ALL THE MODELS ARE PACKGED IN DIL24, SIZE L x W x H = 1.25" x 0.8" x 0.5". CONFIGURATION DESIGN FOR DIRECTLY BEING USED ON PCB MOUNTING.



SPECIFICATION

All Specifications Typical At Nominal Line, Full Load, 25°C Unless Otherwise Noticed

GENERAL SPECIFICATION

- * Switching frequency: >50KHz
- * Isolation voltage: 1,500VDC (min.)
- * Isolation resistance: 1G Ω(min.)
- * Operating ambient temperature: -20 to +71°C
- * Storage temperature: -40 to +100°C
- * Max. Case temperature: 90°C
- * M.T.B.F.: 715,000Hrs at @ GF40, according to MIL-HDBK-217F
- * Cooling: Free air convection
- * Temperature coefficient: ±0.02% / °C
- * Dimension: 31.8 x 20.3 x 12.7mm

INPUT SPECIFICATIONS

- * Input voltage range: 4.5 ~ 5.5VDC
- * No load input current: 65mA
- * Max. Input voltage: 7VDC

OUTPUT SPECIFICATIONS

- * Output voltage accuracy: ±2% at Vo_nom (max.)
- * Minimum load: No load for single output models
±20% at Vo_nom for dual output models
- * Line regulation: ±1% at Vo_nom (max.)
- * Load regulation: ±2% at Vo_nom for single output models
±3% at Vo_nom for dual output models
- * Ripple & noise: <100mV (max.)
- * Efficiency: Up to 58%, see model list
- * Derating : See table 1
- * Case material: Plastic

CONTROL AND PROTECTION

- * Input reversed: Shunt diode use external fuse
- * Output short circuit: Continuous

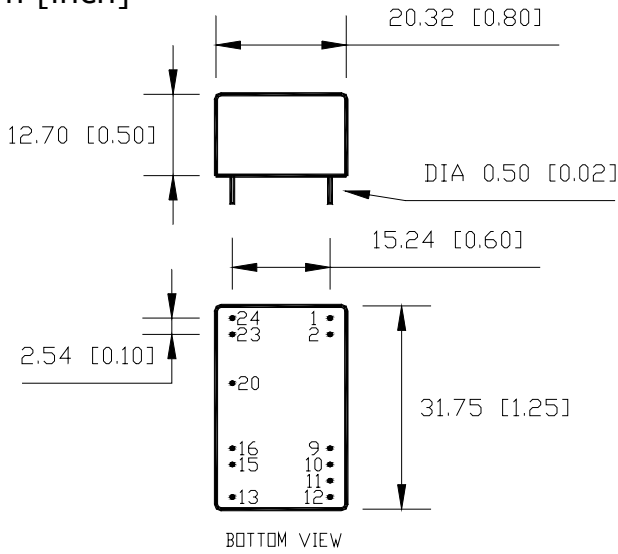


FDD01 SERIES

DC-DC CONVERTER 1W

MECHANISM & PIN CONFIGURATION

mm [inch]



PHYSICAL CHARACTERISTICS

CASE SIZE	31.8 x 20.3 x 12.7mm 1.25 x 0.8 x 0.5inches
CASE MATERIAL	Plastic
WEIGHT	15 g

PIN ASSIGNMENT

PIN NO.	1&2	9	10	11	12	13	15	16	23&24
SINGLE	Vi+	NO PIN	NO PIN	NO PIN	Vo-	Vo+	NO PIN	NO PIN	Vi-
DUAL	Vi+	NO PIN	com	com	NO PIN	Vo-	Vo+	NO PIN	Vi-

Derating:

[TABLE 1]

