



CMOS Monochrome Digital Video Camera

Features

- 352 x 288 monochrome active pixel array, 1/3 inch lens format ¥
- Programmable formats CIF 352x288, QCIF 176x144, CCIR601 704x288
- Digital output CCIR601 4:2:2 (8-bit)
- Multidimensional automatic shutter control
- Below 1 LUX sensitivity
- Programmable I²C Serial bus control:
 - Frame rate: 30fps-1fps in eight steps
 - Gamma correction
 - Shutterspeed
 - Analog gain
 - 16 backlight compensation zones
 - Black clamp level
 - Power down modes
- Stand-alone 25fps PAL and 30fps NTSC operation with all automatic features
- Single crystal operation: Video timing on-chip
- Single 5V power supply
- Less than 0.5 watt power dissipation

¥ Patent number x,xxx,xxx patents pending

Description

The CH5101 is a single chip active pixel CMOS monochrome video camera with digital video output in several formats. Using sophisticated noise correction circuitry to minimize fixed pattern noise and dark current effects, the CH5101 provides a superb quality picture in a low cost device.

The CH5101 uses a proprietary autoshutter algorithm to dynamically control the shutter time, analog gain, and black clamp level, providing optimum picture and contrast under all lighting conditions. The CH5101 also incorporates extensive on-chip programmable digital signal processing to maximize the usefulness of the device in processor driven applications. This includes 16 programmable zones for backlight compensation, allowing the user to adjust the image to their unique lighting environment.

Additionally, at power-up the backlight compensation zone, power-up condition, and direct A/D output modes are selectable without IIC control by using the PUD pins.

Requiring a minimum of parts for operation, the CH5101 provides a low cost camera for the next generation videophone, toy, and surveillance products.

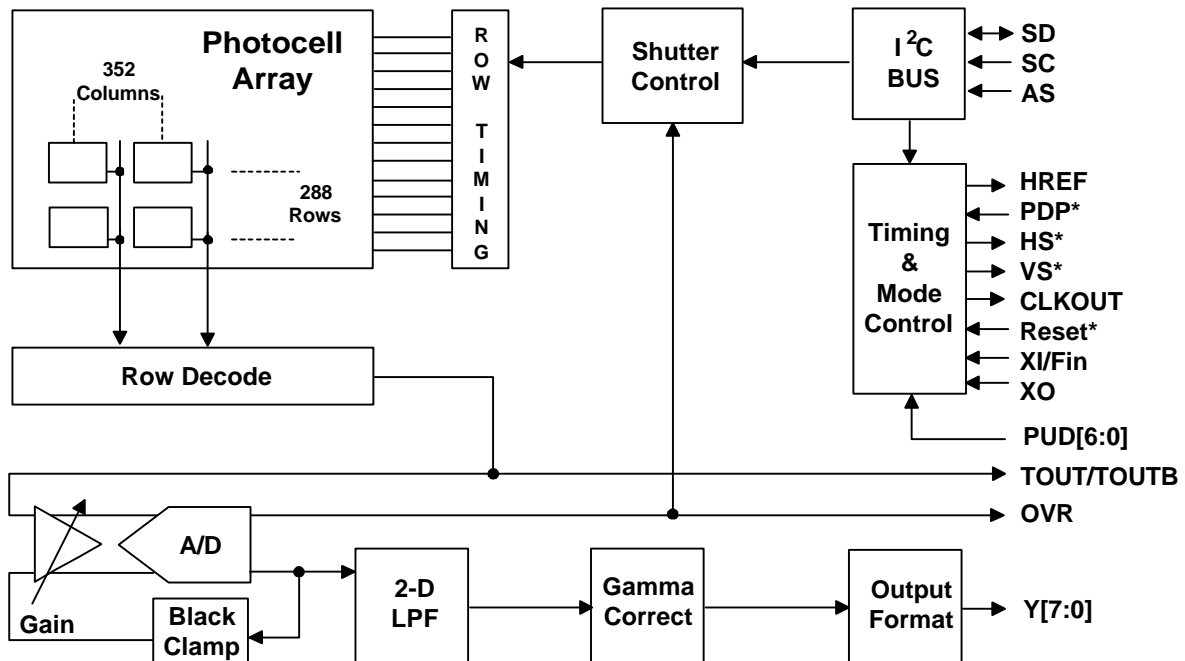


Figure 1: Block Diagram

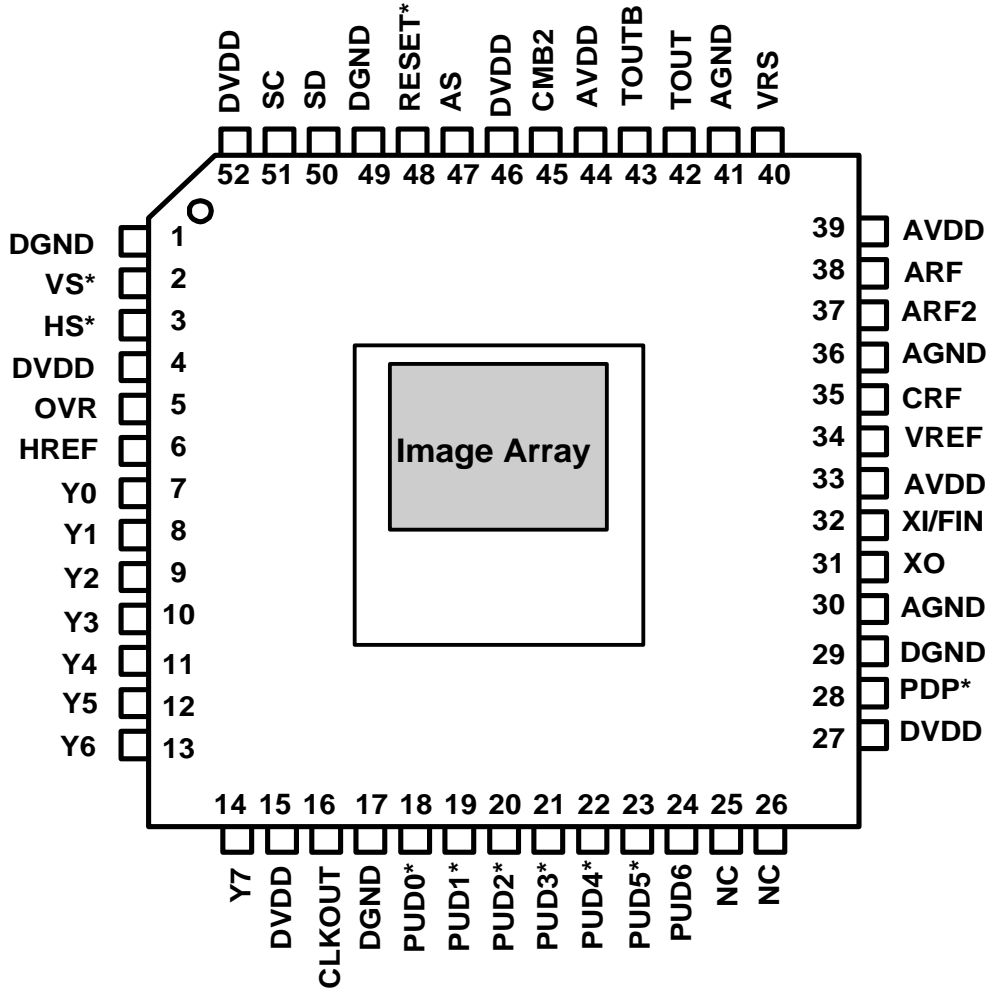


Figure 2: 52-Pin PQFP

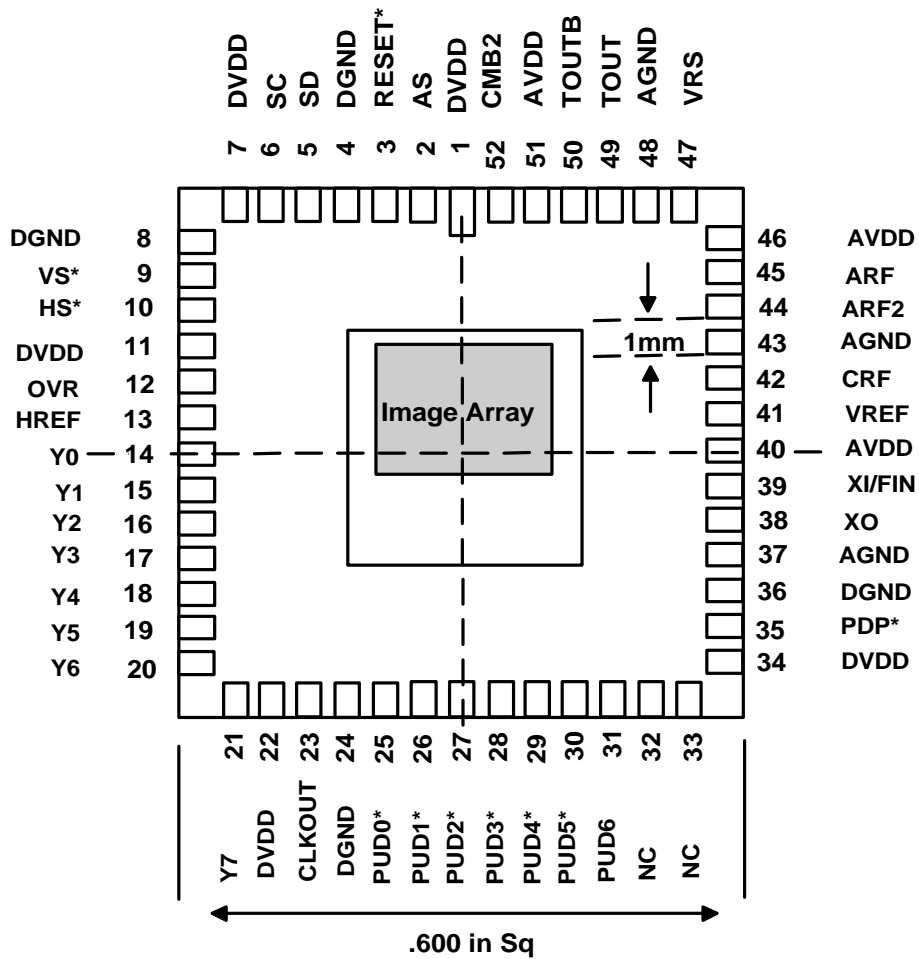


Figure 3: 52 Contact Ceramic LCC (Top View)

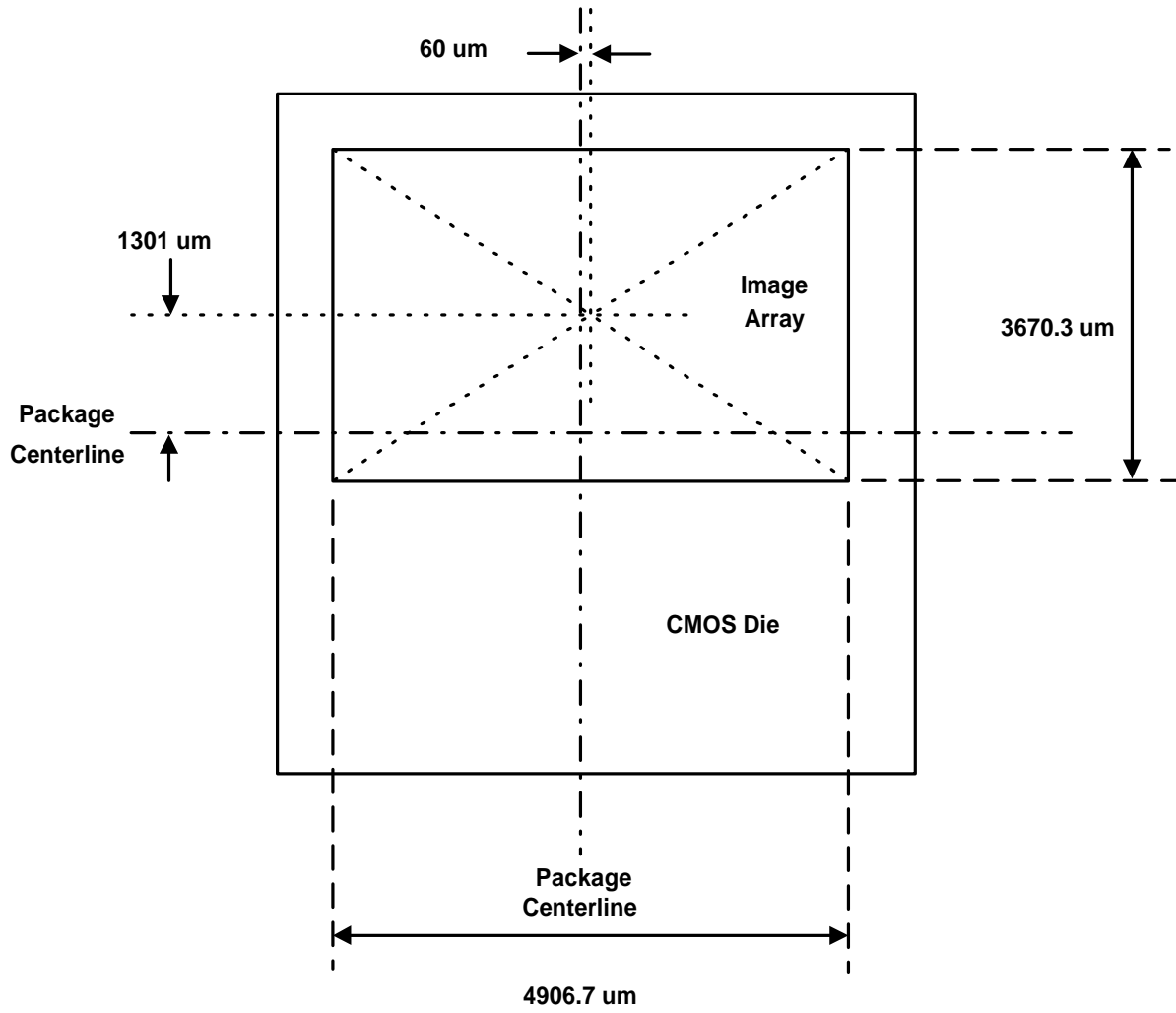


Figure 4: CH5101 Array Image Offset

Table 1. Pin Descriptions Note: Pin numbers in parenthesis () are for 52 pin PQFP

Pin	Type	Symbol	Description
21-14 (14-7)	Out	Y[7:0]	Video Output Provides the luminance data of the digital video output.
1,7,11,22,34, (4,15,27,46,52)	Power	DVDD	Digital Supply Voltage These pins supply the 5V power to the digital section of CH5101.
4,8,24,36, (1, 17, 29, 49)	Power	DGND	Digital Ground Provides the ground reference for the digital section of CH5101. These pins MUST be connected to the system ground.
31-25 (24-18)	In	PUD[5:0]* PUD[6]	Power Up Detect (internal pull-up) These are inputs controlling the default value of IIC register bits M0, ADD0, PD, ASW[3:0]. Attach 100K Ohms to DGND to pull low. NOTE: PUD[5:0]* are logically inverted
23 (16)	Out	CLKOUT	Video Pixel Clock Output This pin outputs a buffered clock signal which can be used to latch data output by pins Y[7:0]
9 (2)	Out	VS*	Vertical Sync Output (active low) Outputs a vertical sync pulse.
10 (3)	Out	HS*	Horizontal Sync Output (active low) Outputs a horizontal sync pulse.
12 (5)	Out	OVR	Over Range This pin is high when the A/D converter input is beyond the full scale range of the A/D.
13 (6)	Out	HREF	Horizontal Reference Active video timing signal. This output is high when active data is being output from the device, and low otherwise.
6 (51)	In	SC	Serial Clock IIC clock input pin.
5 (50)	In/Out	SD	Serial Data IIC data input/output pin.
2 (47)	In	AS	Chip Address Select (internal pullup) This pin selects the IIC address for the device. AS = 1 Address = 100 0101 AS = 0 Address = 100 0110
3 (48)	In	RESET*	Chip Reset (active low, internal pullup) Puts all registers into power-on default states. The state at pin SD must be HIGH during reset for proper initialization.
38 (31)	In/Out	XO	Crystal Output A 27 MHz (\pm 50 ppm, parallel resonance) crystal may be attached between XO and XI/FIN.
39 (32)	In	XI/FIN	Crystal Input or External input A 27 MHz (\pm 50 ppm, parallel resonance) crystal should be attached between XO and XI/FIN. An external CMOS compatible clock can be connected to XI/FIN as an alternative.

Table 1. Pin Descriptions Note: Pin numbers in parenthesis () are for 52 pin PQFP

Pin	Type	Symbol	Description
40,46,51 (33, 39, 44)	Power	AVDD	Analog Supply Voltage Supplies the 5V power to the analog section of the CH5101.
41 (34)	Out	VREF	Voltage Reference VREF provides a 1.235V reference. A 0.01μF decoupling capacitor should be connected between VREF and AGND.
37,43,48 (30, 36, 41)	Power	AGND	Analog Ground These pins provide the ground reference for the analog section of CH5101. Pins must be connected to the system ground to prevent latchup.
42 (35)	Out	CRF	Column Filter CRF provides a 2.5 V reference that is used as a bias to the column sample and holds. A 0.1μF decoupling capacitor should be connected between CRF and AGND.
49,50 (42, 43)	In/Out	TOUT, TOUTB	Test Mode I/O Pins For test purposes only. Should be NC.
44,45 (37, 38)	Out	ARF2, ARF	Array Filters A 0.1μF decoupling capacitors should be connected between each of the pins and AGND.
47 (40)	Out	VRS	Array Bias Filter VRS provides a 2.1V reference. A 0.1μF decoupling capacitor should be connected between VRS and AGND.
32,33 (25,26)		NC	No Connect These pins to be left open
35 (28)	In	PDP*	Power Down Pin (active low, internal pullup) 0 = Power Down
52 (45)	Out	CMB2	Bias Filter A 0.1μF decoupling capacitor should be connected between CMB2 and AGND.

Functional Description

The CH5101 accepts a light input to a photosensitive array, and produces a digital video stream in response. The internal functions performed are:

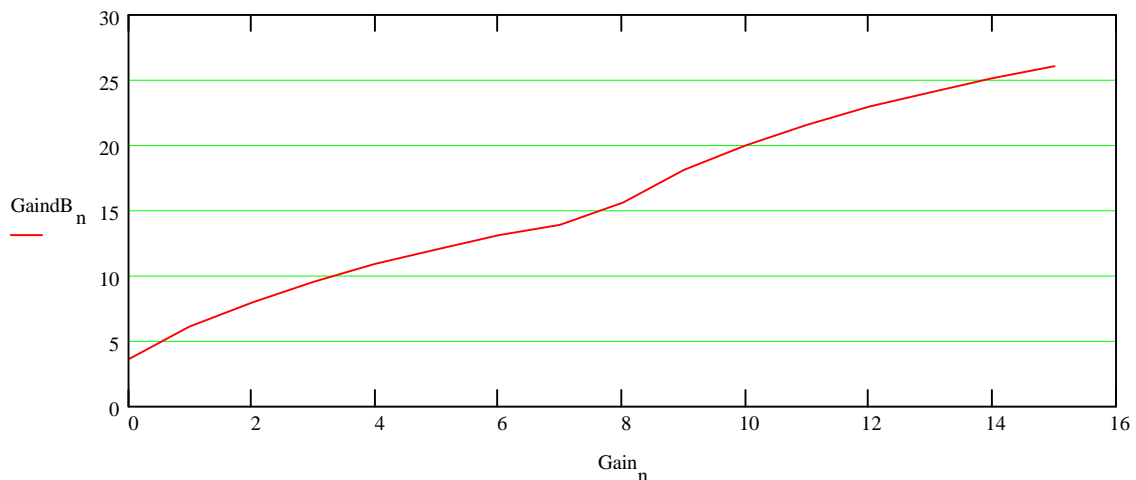
- Scanning of the photodiode array into a serial data stream.
- Programmable gain sample and hold with programmable offset.
- Digitization of data stream.
- Programmable gamma correction.
- Interpolate/Decimate data to desired resolution
- Formatting of the data stream for the desired type of output.
- Automatic Shutter, Gain and Black Setting.
- Timing signal generation.
- Bus control.
- Power up control of key register bits

Scanning of the photodiode array:

The CH5101 serializes the data captured in the photo array, and outputs one pixel of data each clock period. The first row is output a programmable number of lines after the leading edge of the vertical sync output. After the entire row has been output, the next row will be addressed and output. Correlated double sampling techniques are used during readout to reduce fixed pattern noise. After this transfer is complete, pixel data is serially sent to the programmable gain amplifier and then to an A/D converter.

Programmable gain sample and hold:

The programmable gain is divided into two sections. The first gain block is controlled by PGSH[2:0] and the second by the ADFS control. ADFS can be treated as the MSB of the gain control, and a plot of gain versus control setting is shown below. The programmable gain section also provides a bias adjustment, under the control of the an chip DAC. When the ASBE bit is a one (default) this DAC value is determined automatically, via a feedback loop which monitors the A/D output signal. When the ASBE bit is a zero, the DAC can be controlled via BCLMP[7:0].



A/D Conversion:

The data out of the programmable sample and hold is input to an 8-bit A/D. The output of the A/D is sent to the datapath section, and can alternatively be sent directly to the Y[7:0] pins. The A/D has an over-range output which is available as an external pin.

Programmable Gamma correction:

The monochrome signals are next applied to a gamma correction block with selectable gamma settings of 1.0, 1.6 and 2.2, controlled via GAM[1:0].

Interpolate/Decimate data to desired resolution:

The output resolution is determined by the mode register bits M[2:0].

When a CCIR601 mode is selected (M[2:0] = 4,5), a signal compatible with Chronitel's CH7202 input will be generated. This entails interpolating the luminance signal by a factor of two, and selecting the 8-bit output mode (register 00h, bit 0). The value of 128 is substituted for chrominance data (no color).

When a CIF output is selected (M[2:0] = 1), the value of 128 is substituted for chrominance data.

When QCIF output is selected (M[2:0] = 3), the Y resolution will be decimated by a factor of two in both horizontal and vertical directions. This requires bandlimiting the Y data, decimating in the horizontal direction. The Y data is not decimated in the vertical direction. Automatic Shutter, Gain and Black Setting:

Automatic Shutter, Gain and Black Setting:

The CH5101 contains circuitry to automatically adjust the shutter (ESLE, ESLH and ESLL), programmable gain (PGSH[2:0]) and black level (BCLMP[7:0]). These feedback loops are independently controlled by the three control bits Auto-Shutter Shutter Enable (ASSE), Auto-Shutter Gain Enable (ASGE) and Auto-Shutter Black Enable (ASBE). When each of these loops is enabled (default), a read to the corresponding shutter, gain or black level register will result in a readout of the control signal the algorithm has determined to be correct. Data can continue to be written to the control registers, but will not have an effect until the automatic feedback control is disabled. The feedback loops will attempt to force a percentage of the image (controlled by ASBC[4:0] and ASBT[2:0]) to black, and a certain percentage of the image (controlled by ASWC[7:0]) inside the selectable window to white. This will create an output image which maximizes the dynamic range of the signal, without creating overflow or underflow problems within the A/D or the datapath.

Timing signal generation:

The CH5101 generates all required internal and external timing signals. The following timing signals are output by the CH5101:

- Clock out (CLKOUT) - This output is used to latch the outputs of the Y[7:0], HS*, VS* and HREF.
- Horizontal Sync (HS*) - The horizontal sync output is used to determine the start of a new line. Polarity is selectable via control bit HSP.
- Vertical Sync (VS*) - The vertical sync output is used to determine the start of a new frame. Polarity is selectable via control bit VSP.
- Horizontal Reference (HREF) - The horizontal reference is high when active data is output from the CH5101.

The following timing parameters are programmable:

- Shutter - This control is divided among three registers, Electronic Shutter Length Extended (ESLE), Electronic Shutter Length High (ESLH) and Electronic Shutter Length Low (ESLL). The control range is from ~1 μ S, to just under the frame duration.
- Frame rate - In non-CCIR601 modes, the frame rate is selectable via the FR register. The CH5101 has two methods for adjusting the frame rate of the device.

- Horizontal start - In non-CCIR601 modes, the delay between the HS* output and the output of active data from the CH5101 is programmable via the HS register. The polarity of this output is programmable.
- Vertical start - In non-CCIR601 modes, the delay between the VS* output and the output of active data from the CH5101 is programmable via the VS register. The polarity of this output is programmable.
- Frame rate adjustment method — The CH5101 has two methods for adjusting the frame rate of the device. The first method is to add additional black lines to each frame after reading out the active data. The second method is to have each frame remain a constant number of lines long, and have each line contain a variable number of blank pixels after reading out the active data. In this mode, all clock signals are 1/2 of the normal rate.
- Auto shutter speed — The auto-shutter loop speed can be controlled via ASSPD[2:0].

Bus control:

The CH5101 is controlled via a 2 pin serial interface. The description of this interface, and all registers accessible via the interface is described later in the data sheet.

Power up control:

Seven bits within the CH5101 register map can have their default value determined at the time of power-up, or when the Reset pin is exercised. This is accomplished by using a high valued pull-down resistor on the PUD[6:0] pins. These pins are pulled high by an internal high impedance pull-up device. This pull-up can be overridden by connecting a 100K ohm resistor externally to ground. After three frames, the level at the PUD[6:0] pins is latched, and seven register bits are set or cleared depending upon the corresponding pin's level. The PUD[6:0] pins functions are then returned to outputs of the chroma data. The power-up control affects the following register bits:

Table 2. Power Up Default Control

Pin	Register	Bit	Function
PUD[5]*	22h	3	ADDO The A/D Direct Output mode can be selected at power up. This bypasses the 2-D LPF and Gamma correction, which may be desirable for applications which want to use raw data. Logically inverted input No pull-down resistor - Datapath processing Pull-down resistor - A/D direct output
PUD[4]*	19h	4	PD The power down bit can be enabled at power up. This may be desirable in USB cameras which have power limitations at power up. Logically inverted input No pull-down resistor - Normal power-up Pull-down resistor - Power-up in low-power mode
PUD[6]	00h	1	M0 The Mode[0] bit can be used to select between NTSC or PAL output at power up. No pull-down resistor - PAL operation Pull-down resistor - NTSC operation
PUD[3:0]*	1Eh	3:0	ASW[3:0] The auto-shutter window can be selected at power up. See the register description for corresponding window selection. Logically inverted inputs No pull-down resistors gives window "0", Center location

I²C Port Operation

The CH5101 contains a standard I²C control port, through which the control registers can be written and read. This port is comprised of a two-wire serial interface, pins SD (bidirectional) and SC, which can be connected directly to the SDB and SCB buses as shown in **Figure 5**.

The Serial Clock line (SC) is input only and is driven by the output buffer of the master device. The CH5101 acts as a slave and generation of clock signals on the bus is always the responsibility of the master device. When the bus is free, both lines are HIGH. The output stages of devices connected to the bus must have an open-drain or open-collector to perform the wired-AND function. Data on the bus can be transferred up to 400kbit/s according to I²C specifications. However, in direct connections to the bus master device, the CH5101 can operate at transfer rates up to 5 MHz.

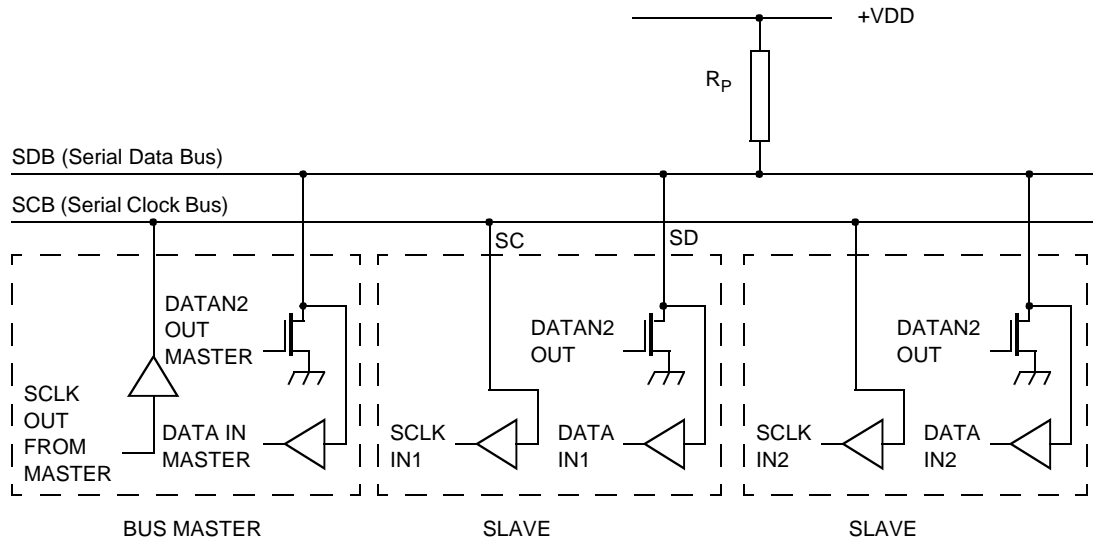


Figure 5: Connection of Devices to the Bus

Electrical Characteristics for Bus Devices

The electrical specifications of the bus devices’ inputs and outputs and the characteristics of the bus lines connected to them are shown in **Figure 5**. A pullup resistor (R_p) must be connected to a $5V \pm 10\%$ supply. The CH5101 is a device with input levels related to V_{DD} .

Maximum and minimum values of pullup resistor (R_p)

The value of R_p depends on the following parameters:

- Supply voltage
- Bus capacitance
- Number of devices connected (input current + leakage current = I_{input})

The supply voltage limits the minimum value of resistor R_p due to the specified minimum sink current of 3mA at $V_{OL_{max}} = 0.4 V$ for the output stages:

$$R_p \geq (V_{DD} - 0.4) / 3 \quad (R_p \text{ in } k\Omega)$$

The bus capacitance is the total capacitance of wire, connections and pins. This capacitance limits the maximum value of R_p due to the specified rise time. The equation for R_p is shown below:

$$R_p \geq 10^3 / C \quad (\text{where: } R_p \text{ is in } k\Omega \text{ and } C, \text{ the total capacitance, is in } pF)$$

The maximum HIGH level input current of each input/output connection has a specified maximum value of 10 μA . Due to the desired noise margin of $0.2V_{DD}$ for the HIGH level, this input current limits the maximum value of R_p .

The R_p limit depends on V_{DD} and is shown below:

$$R_p \geq (100 \times V_{DD}) / I_{input} \quad (\text{where: } R_p \text{ is in } k\Omega \text{ and } I_{input} \text{ is in } \mu A) \text{ Transfer Protocol}$$

Both read and write cycles can be executed in Alternating and Auto-increment modes. Alternating mode expects a register address prior to each read or write from that location (i.e., transfers alternate between address and data). Auto-increment mode allows you to establish the initial register location, then automatically increments the register address after each subsequent data access (i.e., transfers will be address, data, data, data...). A basic serial port transfer protocol is shown in **Figure 6** and described below.

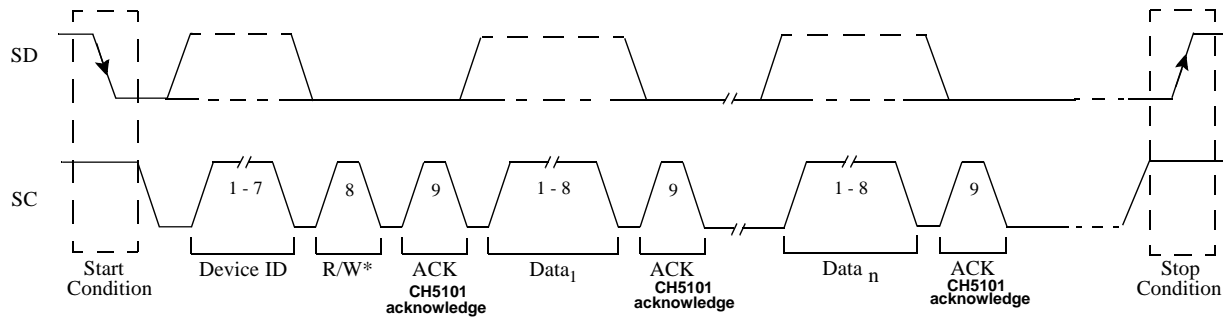


Figure 6: Serial Port Transfer Protocol

1. The transfer sequence is initiated when a high-to-low transition of SD occurs while SC is high; this is the START condition. Transitions of address and data bits can only occur while SC is low.
2. The transfer sequence is terminated when a low-to-high transition of SD occurs while SC is high; this is the STOP condition.
3. Upon receiving the first START condition, the CH5101 expects a Device Address Byte (DAB) from the master device. The value of the device address is shown in the DAB data format below. Note that B[2:1] is determined by the state of the ADDR pin (see **Table 1** for details).

Table 3. Device Address Byte (DAB)

B7	B6	B5	B4	B3	B2	B1	B0
1	0	0	0	1	AS*	AS	R/W

4. After the DAB is received, the CH5101 expects a Register Address Byte (RAB) from the master. The format of the RAB is shown in the RAB data format below (note that B7 is not used).

R/W

Read/Write Indicator

- 0: Master device will write to the CH5101 at the register location specified by the address AR[5:0]
- 1: Master device will read from the CH5101 at the register location specified by the address AR[5:0]. AutoInc Register Address Auto-Increment - to facilitate sequential R/W of registers 1: Auto-Increment enabled (auto-increment mode).

Table 4. Register Address Byte (RAB)

B7	B6	B5	B4	B3	B2	B1	B0
X	AutoInc	AR[5]	AR[4]	AR[3]	AR[2]	AR[1]	AR[0]

Write: After writing data into a register, the address register will automatically be incremented by one.

Read: Before loading data from a register to the on-chip temporary register (getting ready to be serially read), the address register will automatically be incremented by one. However, for the first read after an RAB, the address register will not be changed.

0: Auto-increment disabled (alternating mode).

Write: After writing data into a register, the address register will remain unchanged until a new RAB is written.

Read: Before loading data from a register to the on-chip temporary register (getting ready to be serially read), the address register will remain unchanged.

AR[5:0] Specifies the Address of the Register to be Accessed.

This register address is loaded into the address register of the CH5101. The R/W* access, which follows, is directed to the register specified by the content stored in the address register.

The following two sections describe the operation of the serial interface for the four combinations of R/W* = 0,1 and AutoInc = 0,1.

CH5101 Write Cycle Protocols (R/W* = 0)

Data transfer with acknowledge is required. The acknowledge-related clock pulse is generated by the mastertransmitter. The mastertransmitter releases the SD line (HIGH) during the acknowledge clock pulse. The slave-receiver must pull down the SD line, during the acknowledge clock pulse, so that it remains stable LOW during the HIGH period of the clock pulse. The CH5101 always acknowledges for writes (see **Figure 7**). Note that the resultant state on SD is the wired-AND of data outputs from the transmitter and receiver

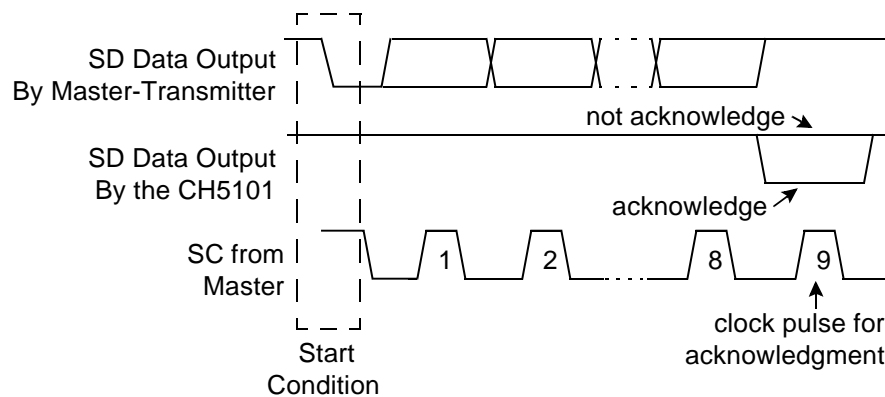


Figure 7: Acknowledge on the Bus

Figure 8 shows two consecutive alternating write cycles for AutoInc = 0 and R/W* = 0. The byte of information following the Register Address Byte (RAB) is the data to be written into the register specified by AR[5:0]. If AutoInc = 0, then another RAB is expected from the master device followed by another data byte, and so on.

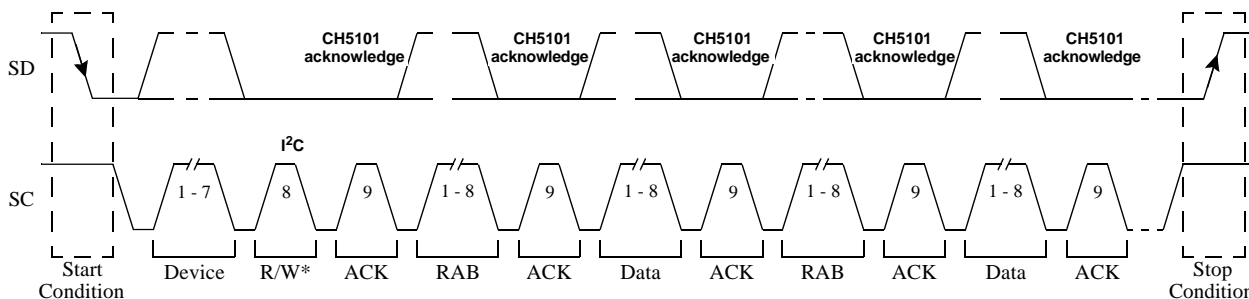


Figure 8: Alternating Write Cycles

Note: The acknowledge is from the CH5101 (slave).

If AutoInc = 1, then the register address pointer will be incremented automatically and subsequent data bytes will be written into successive registers without providing an RAB between each data byte. An auto-increment write cycle is shown in Figure 9.

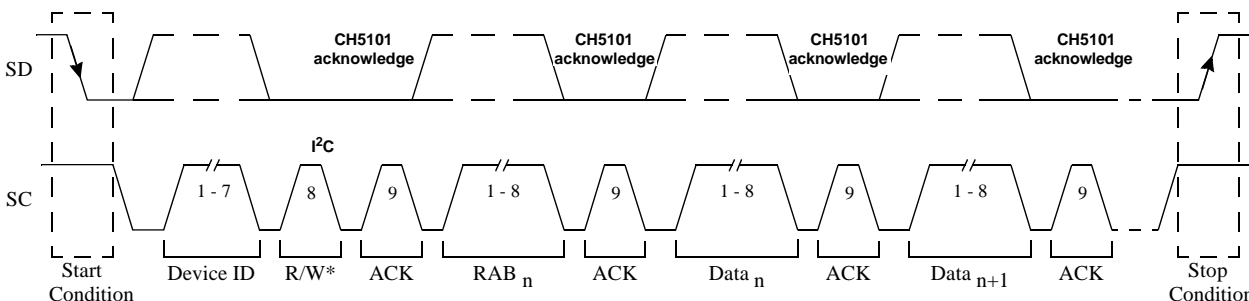


Figure 9: Auto-Increment Write Cycle

Note: The acknowledge is from the CH5101 (slave).

When the auto-increment mode is enabled (AutoInc is set to 1), the register address pointer continues to increment for each write cycle until AR[5:0] = 26 (26 is the address of the address register). The next byte of information represents a new auto-sequencing starting address which is the address of the register to receive the next byte. The auto-sequencing then resumes based on this new starting address. The auto-increment sequence can be terminated any time by either a STOP or RESTART condition. The write operation can be terminated with a STOP condition.

CH5101 Read Cycle Protocols (R/W = 1)

If a master-receiver is involved in a transfer, it must signal the end of data to the slave-transmitter by not generating an acknowledge on the last byte that was clocked out of the slave. The slave-transmitter CH5101 releases the data line to allow the master to generate the STOP condition or the RESTART condition.

To read the content of the registers, the master device starts by issuing a START condition (or a RESTART condition). The first byte of data, after the START condition, is a DAB with R/W = 0. The second byte is the RAB with AR[5:0] containing the address of the register that the master device intends to read from in AR[5:0]. The master device should then issue a RESTART condition (RESTART = START, without a previous STOP condition). The first byte of data, after this RESTART condition, is another DAB with R/W*=1, indicating the master's intention to read data hereafter. The master then reads the next byte of data (the content of the register specified in the RAB). If AutoInc = 0, then another RESTART condition, followed by another DAB with R/W* = 0 and RAB, is expected from the master device. The master device then issues another RESTART, followed by another DAB. After

that, the master may read another data byte and so on. In summary, a RESTART condition, followed by a DAB, must be produced by the master before each of the RAB and before each of the data read events. **Figure 10** shows consecutive alternating read cycles.

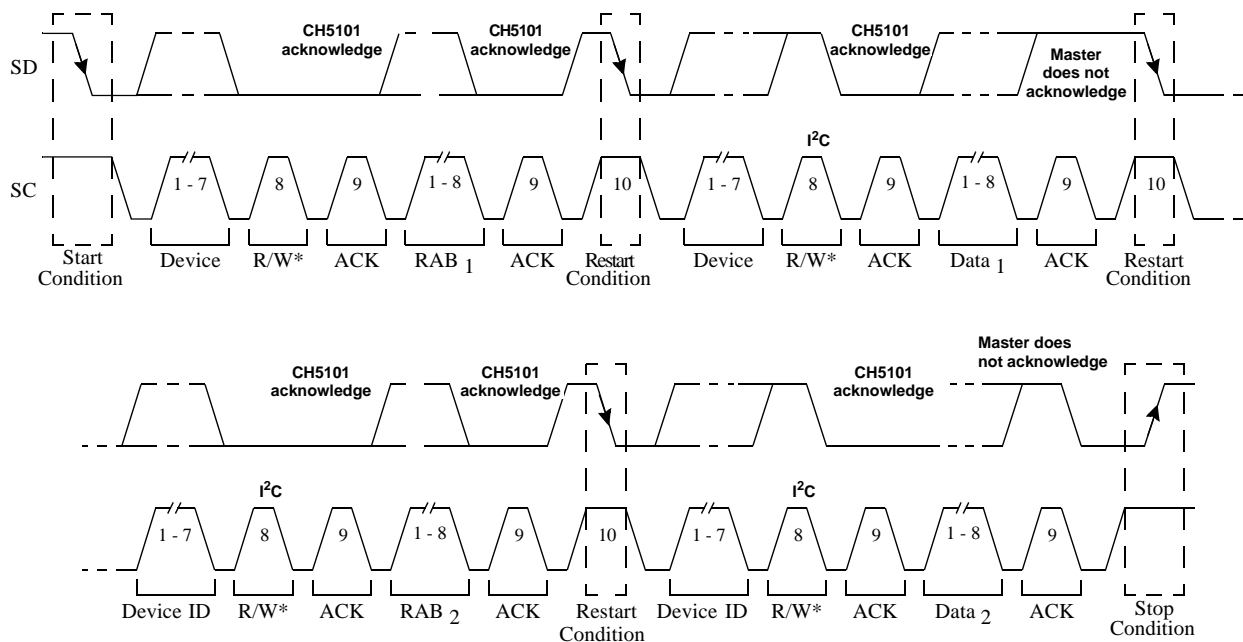


Figure 10: Alternating Read Cycle

If AutoInc = 1, then the address register will be incremented automatically and subsequent data bytes can be read from successive registers, without providing a second RAB

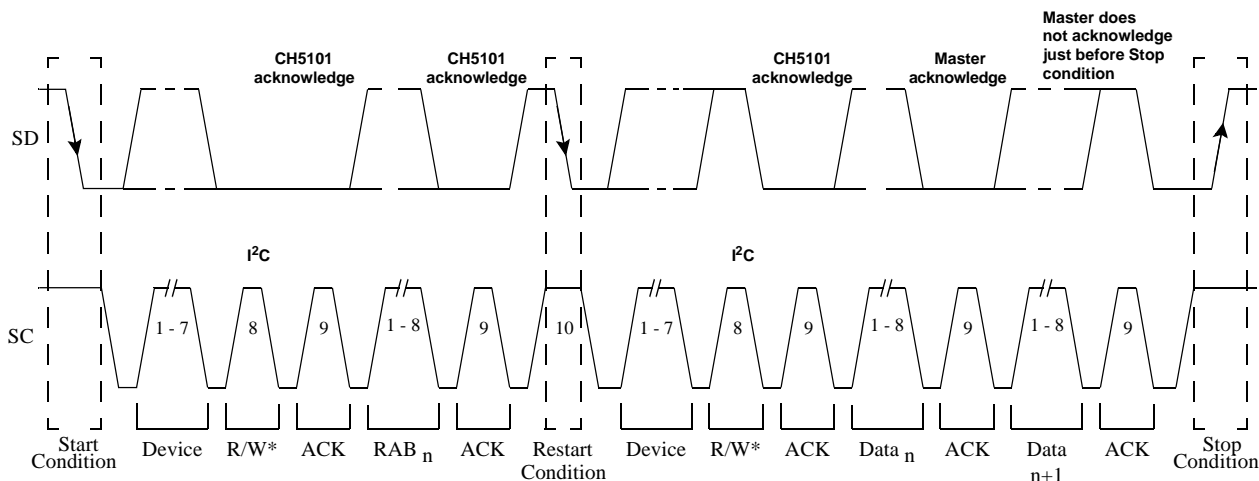


Figure 11: Auto-increment Read Cycle

When the auto-increment mode is enabled (AutoInc is set to 1), the address register will continue incrementing for each read cycle. When the content of the Address Register reaches 2A, it will wrap around and start from 00h again. The auto increment sequence can be terminated by either a STOP or RESTART condition. The read operation can be terminated with a “STOP” condition. **Figure 11** shows an auto-increment read cycle terminated by a STOP or RESTART condition. The CH5101 contains 20 control registers each with a maximum of 8 usable bits to provide access to basic video attribute control functions. These registers are accessible via the 2-bit serial bus (SD & SC). The following sections describe the functions and the controls available through these registers.

Table 5. Register Descriptions

Register	Symbol	Address (Hex)	Default Value	Description
Mode/Output Format	MOF	00	0000 1011	Selects the mode (CCIR601, CIF or QCIF) and output format.
Frame Rate	FR	01	0010 x000	Sets the frame rate of the output signal. The four MSBs contain the revision number.
Horizontal Start	HS	02	xx11 1101	Sets the horizontal start position of the active output pixel in relationship to the HSYNC signal.
Vertical Start	VS	03	x0x1 0101	Used to set the vertical start position of the active output pixel in relationship to the VSYNC signal.
Electronic Shutter Length High Byte	ESLH	04	1111 0000	Used in conjunction with ESLP register to specify the duration of the electronic shutter.
Electronic Shutter Length Low Byte	ESLL	05	0000 0000	Used in conjunction with ESLL register to specify the duration of the electronic shutter.
RESERVED		06 - 16		Reserved Do not use
PSH Gain Gamma	PSHG	17	0001 1001	Selects the gain of the programmable sample and hold. 000 = 0dB gain, 111 = 14dB gain.
Clamp Level	BCLMP	18	1000 0000	Selects the level that the black level clamp adjust to during dark pixel.
Miscellaneous	MISC	19	1000 0000	7,6,5: Reserved 4: Power Down 3: V Sync. Polarity 2: H Sync. Polarity 1,0: Border Color
Device ID	DID	1A	0010 0000	The four MSBs hold the device ID. The four LSBs hold the version ID.
Test Register	TST	1B	0000 0000	Test Register
Test Memory	TM	1C	0000 0000	Test Register
Auto-Shutter Enable	ASE	1D	1110 0100	Enables and controls the following autoshutter algorithm parameters: 7: Enables the AS to control the shutter 6: Enables the AS to control black level 5: Enables the AS to control programmable gain. 4,3: Reserved 2-0: Determines the threshold of the shutter gain setting to enable black level changes.

Table 5. Register Descriptions

Register	Symbol	Address (Hex)	Default Value	Description
Auto-Shutter Window and Input Control Bits	ASW	1E	x100 PUD[3:0]	Used to select the autoshutter window, display window, and select input data to algorithm: 6: Autoshutter max input enable 5: Autoshutter A/D or CSC select 4: Window Display 3-0: Window Select
Auto-Shutter Black Count Threshold Value	ASBC	1F	1111 1001	Determines the threshold that compares the Black Sense value.
Auto-Shutter White Count Threshold Value	ASWC	20	1000 0000	Determines the threshold that compares the White Sense value.
Extended Shutter Bits	ESLE	21	xxx0 0000	ESLE (MSB) along with ESLH and ESLL form the overall Shutter Length Control Register.
Miscellaneous 2	MISC2	22	0001 1001	Determines Master clock frequency, CLKOUT control, and A/D Direct Output mode
Miscellaneous 3	MISC3	23	0011 1001	Determines internal clock delay and A/D full scale value
Power Down Register	PD	24	xxx1 0000	This register controls the following functions: 4: ResetB 3: High Light Intensity Enable 2-0: Reserved.
Address Register	AR	26	0000 0000	Holds the address of the IIC register being accessed

Table 6. Register Map

BIT:	7	6	5	4	3	2	1	0
00	CIF2	ELFA	CVL	CHL	M2	M1	M0	OF
01	RNUM3	RNUM2	RNUM1	RNUM0		FR2	FR1	FR0
02			HS5	HS4	HS3	HS2	HS1	HS0
03		YDEL		VS4	VS3	VS2	VS1	VS0
04	ESLH7	ESLH6	ESLH5	ESLH4	ESLH3	ESLH2	ESLH1	ESLH0
05	ESLL7	ESLL6	ESLL5	ESLL4	ESLL3	ESLL2	ESLL1	ESLL0
06 - 16	Reserved	Reserved	Reserved	Reserved	Reserved	Reserved	Reserved	Reserved
17	Reserved	Reserved	GAM1	GAM0	Reserved	PSHG2	PSHG1	PSHG0
18	BCLMP7	BCLMP6	BCLMP5	BCLMP4	BCLMP3	BCLMP2	BCLMP1	BCLMP0
19	Reserved	Reserved	DVDD	PD	VSP	HSP	BDR1	BDR0
1A	DID7	DID6	DID5	DID4	DID3	DID2	DID1	DID0
1B								
1C								
1D	ASSE	ASBE	ASGE	Reserved	Reserved	ASSPD2	ASSPD1	ASSPD0
1E		ASME	ASCSC	ASWD	ASW3	ASW2	ASW1	ASW0
1F	ASBC4	ASBC3	ASBC2	ASBC1	ASBC0	ASBT2	ASBT1	ASBT0
20	ASWC7	ASWC6	ASWC5	ASWC4	ASWC3	ASWC2	ASWC1	ASWC0
21				ESLE4	ESLE3	ESLE2	ESLE1	ESLE0
22	RENB				ADD0	CLKOUTP	DVC	MCF
23	ADFSR				CLKDLY3	CLKDLY2	CLKDLY1	CLKDLY0
24				ResetB	Reserved	PD2	PD1	PD0

Mode / Output Format Register

Symbol: MOF

Address: 00h

Bits: 8

BIT:	7	6	5	4	3	2	1	0
SYMBOL:	CIF2	ELFA	CVL	CHL	M2	M1	M0	OF
TYPE:	R/W	R/W	R/W	R/W	R/W	R/W	R/W	R/W
DEFAULT:	0	0	0	0	1	0	PUD6	1

Register MOF determines the operating mode of the IC and the output data format. When bit 0 of register OF is low, data will be output in 16-bit mode. When OF is high, data will be time multiplexed and output on the 8-bit bus Y[7:0]. In the tables below, Y0 is the first pixel generated from the array on a given line, Y1 is the second pixel on that line, etc. In CCIR modes, Y0i, Y1i data are the pixels interpolated between the Y0 and Y1, and Y1 and Y2 samples. For each of the possible modes, the format of the output data is shown below. The total amount of time shown for each table is 24 cycles of MCLK when ELFA=0 and 48 cycles of MCLK when ELFA=1. The line number in each table refers to which active video line is being output.

M[2:0] = 0 or 1, OF = 0, CIF2 = 0 (2 line pattern, CLKOUT = 6.75MHz (ELFA=0) or 3.375MHz (ELFA=1))

Line	CLKOUT	1	2	3	4	5	6
1	Y[7:0]	Y0	Y1	Y2	Y3	Y4	Y5
2	Y[7:0]	Y0	Y1	Y2	Y3	Y4	Y5

M[2:0] = 0 or 1, OF = 1, CIF2 = 0 (2 line pattern, CLKOUT = 13.5 MHz (ELFA=0) or 6.75MHz (ELFA=1))

Line	CLKOUT	1	2	3	4	5	6	7	8	9	10	11	12
1	Y[7:0]	128	Y0	128	Y1	128	Y2	128	Y3	128	Y4	128	Y5
2	Y[7:0]	128	Y0	128	Y1	128	Y2	128	Y3	128	Y4	128	Y5

M[2:0] = 0 or 1, OF = 0, CIF2 = 1 (1 line pattern, CLKOUT = 6.75MHz (ELFA=0) or 3.375MHz (ELFA=1))

Line	CLKOUT	1	2	3	4	5	6
1	Y[7:0]	Y0	Y1	Y2	Y3	Y4	Y5
2	Y[7:0]	Y0	Y1	Y2	Y3	Y4	Y5

M[2:0] = 0 or 1, OF = 1, CIF2 = 1 (1 line pattern, CLKOUT = 13.5 MHz (ELFA=0) or 6.75MHz (ELFA=1))

Line	CLKOUT	1	2	3	4	5	6	7	8	9	10	11	12
1	Y[7:0]	128	Y0	128	Y1	128	Y2	128	Y3	128	Y4	128	Y5
2	Y[7:0]	128	Y0	128	Y1	128	Y2	128	Y3	128	Y4	128	Y5

M[2:0]2 or 3, OF = 0 CIF2 = 0 (4 line pattern, CLKOUT = 6.75MHz (ELFA=0) or 3.375MHz (ELFA=1))

Line	CLKOUT	1	2	3	4	5	6
1	Y[7:0]	Y0	Y0	Y2	Y2	Y4	Y4
2	Y[7:0]	16	16	16	16	16	16
3	Y[7:0]	Y0	Y0	Y2	Y2	Y4	Y4
4	Y[7:0]	16	16	16	16	16	16

M[2:0] = 2 or 3, OF = 1 CIF2 = 0 (4 line pattern, CLKOUT = 13.5 MHz (ELFA=0) or 6.75MHz (ELFA=1))

Line	CLKOUT	1	2	3	4	5	6	7	8	9	10	11	12
1	Y[7:0]	128	128	Y0	Y0	128	128	Y2	Y2	128	128	Y4	Y4
2	Y[7:0]	128	128	16	16	128	128	16	16	128	128	16	16
3	Y[7:0]	128	128	Y0	Y0	128	128	Y2	Y2	128	128	Y4	Y4
4	Y[7:0]	128	128	16	16	128	128	16	16	128	128	16	16

M[2:0] = 2 or 3, OF = 0 CIF2 = 1 (2 line pattern, CLKOUT = 6.75MHz (ELFA=0) or 3.375MHz (ELFA=1))

Line	CLKOUT	1	2	3	4	5	6
1	Y[7:0]	Y0	Y0	Y2	Y2	Y4	Y4
2	Y[7:0]	16	16	16	16	16	16
3	Y[7:0]	Y0	Y0	Y2	Y2	Y4	Y4
4	Y[7:0]	16	16	16	16	16	16

M[2:0] = 2 or 3, OF = 1 CIF2 = 1 (2 line pattern, CLKOUT = 13.5 MHz (ELFA=0) or 6.75MHz (ELFA=1))

Line	CLKOUT	1	2	3	4	5	6	7	8	9	10	11	12
1	Y[7:0]	128	128	Y0	Y0	128	128	Y2	Y2	128	128	Y4	Y4
2	Y[7:0]	128	128	16	16	128	128	16	16	128	128	16	16
3	Y[7:0]	128	128	Y0	Y0	128	128	Y2	Y2	128	128	Y4	Y4
4	Y[7:0]	128	128	16	16	128	128	16	16	128	128	16	16

M[2:0] = 4 or 5, OF = 0 (repeats pattern every line, CLKOUT =13.5 MHz)

Line	CLKOUT	1	2	3	4	5	6	7	8	9	10	11	12
1	Y[7:0]	Y0	Y0i	Y1	Y1i	Y2	Y2i	Y3	Y3i	Y4	Y4i	Y5	Y5i

M[2:0] = 4 or 5, OF = 1 (repeats pattern every line, CLKOUT = 27MHz)

Line	CLKOUT	1	2	3	4	5	6	7	8	9	10	11	12	13	14	15	16	17	18	19	20	21	22	23	24
1	Y[7:0]	1	Y	1	Y	1	Y	1	Y	1	Y	1	Y	1	Y	1	Y	1	Y	1	Y	1	Y	1	Y
		2	0	2	0	2	1	2	1	2	2	2	2	2	3	2	3	2	4	2	4	2	5	2	5
		8		8	i	8		8	i	8		8	i	8		8	i	8		8	i	8		8	i

Bits 1 through 3 of the MOF register along with ELFA, bit 6 select the mode that the IC operates according to the table below. A listing of ‘FR’ in a column indicates that the frame rate is adjusted through varying this parameter, and the table under the Frame Rate register should be used to determine this value. When mode 4 or 5 is selected, the value of the FR register is ignored, and the IC will output a frame rate compatible with the field rate of NTSC or PAL. An integer number of lines will be output in each frame, with the odd frames having one line more than the even frames.

Table 7. Operating Modes

ELFA	M 2	M 1	M 0	Operating Mode	Y Active Pixels /Line	Y Active Lines	CrCb Active Pixels /Line	CrCb Active Lines	Total MCLK / Line	Total Lines/ Frame	Functional Description
0	0	0	1	CIF	352	288	176	144	1716	FR	CIF Progressive scan
0	0	1	1	QCIF	176	144	88	72	1716	FR	QSIF Progressive scan
x	1	0	0	CCIR601 NTSC	704	240	352	240	1716	263/262	525 Line scan 4:2:2
x	1	0	1	CCIR601 PAL	704	288	704	288	1728	313/312	625 Line Scan 4:2:2
x	1	1	0	Reserved							
x	1	1	1	Reserved							
1	0	0	1	CIF 2	352	288	176	144	FR	289	CIF-289 Progressive scan
1	0	1	1	QCIF 2	176	144	88	72	FR	289	QSIF-298 Progressive scan

Bits 4, 5 and 7 ‘CHL’ ‘CVL’ ‘CIF2’ of the MOF register specify the chrominance sample location with respect to the luminance samples in the horizontal and vertical directions respectfully. When CHL is 0, chrominance samples are located between the luminance samples in the horizontal direction. When CHL is 1, chrominance samples are aligned with alternate luminance samples. When CIF2 is 0 and CVL is 0, chrominance samples are located between the luminance samples in the vertical direction. When CIF2 is 0 and CVL is 1, chrominance samples are aligned with alternate luminance samples. When M[2:0] is set to mode 4 or 5, the CHL and CVL bits are ignored. When the CIF2 bit is high, the CVL bit is ignored, and the chrominance signal is output on every line that has luminance.

Frame Rate Register

Symbol:FR
Address:01h
Bits:3

BIT:	7	6	5	4	3	2	1	0
SYMBOL:	RNUM3	RNUM2	RNUM1	RNUM0		FR2	FR1	FR0
TYPE:	R	R	R	R		R/W	R/W	R/W
DEFAULT:	0	0	1	0		0	0	0

Register FR determines the frame rate. The frame rate is adjusted by increasing the number of blank lines after reading the entire array, or by inserting extra blank pixels at the end of each line readout. The method of frame rate control is determined by bit ELFA in register MOF. When ELFA = 0, the amount of delay between the completion of reading one frame and the start of reading the next frame is varied. There are eight frame rates that can be selected in this mode, each one a fixed integer number of lines long. When ELFA = 1, the amount of delay between the completion of reading one line, and the start of reading the next line is varied. There are seven frame rates that can be selected in this mode, each one 289 lines.

In modes M[2:0] equal to 0-3, the device can operate with a 24MHz MCLK or a 27MHz MCLK. Tables describing some of the key parameters are shown in **Tables 8 & 9**.

Table 8. Operating Modes For 27 MHz MCLK

ELFA	M [2:0]	FR [2:0]	Total Lines	Blank Lines / Frame	MCLK / Line	Blank MCLK / Line	Frame Rate (Hz)	Max Shutter Length (register value)	Max Shutter Time (mS)
0	1,3	0 0 0	525	236	1716	308	30	112,398	33
0	1,3	0 0 1	656	367	1716	308	24	140,497	42
0	1,3	0 1 0	787	498	1716	308	20	168,597	50
0	1,3	0 1 1	1049	760	1716	308	15	224,796	67
0	1,3	1 0 0	1312	1023	1716	308	12	281,209	83
0	1,3	1 0 1	1967	1678	1716	308	8	421,707	125
0	1,3	1 1 0	3934	3645	1716	308	4	843,628	250
0	1,3	1 1 1	15735	15446	1716	308	1	2,097,151	621
x	4	x	263 / 262	23 / 22	1716		60	55,984	17
x	5	x	313 / 312	25 / 24	1728		50	67,176	20
1	1,3	0 0 1	289		3896	1080	24	140,256	42
1	1,3	0 1 0	289		4672	1856	20	168,192	50
1	1,3	0 1 1	289		6232	3416	15	224,352	66
1	1,3	1 0 0	289		7784	4968	12	280,224	83
1	1,3	1 0 1	289		11680	8864	8	420,480	125
1	1,3	1 1 0	289		23360	20544	4	840,960	249
1	1,3	1 1 1	289		93424	90608	1	2,097,151	621

Table 9. Operating modes for 24 MHz MCLK

ELFA	M [2:0]	FR [2:0]	Total Lines	Blank Lines / Frame	MCLK / Line	Blank MCLK / Line	Frame Rate (Hz)	Max Shutter Length (register value)	Max Shutter Time (mS)
0	1,3	0 0 0	467	178	1716	308	30	99,957	33
0	1,3	0 0 1	583	294	1716	308	24	124,839	42
0	1,3	0 1 0	700	411	1716	308	20	149,935	50
0	1,3	0 1 1	933	644	1716	308	15	199,914	67
0	1,3	1 0 0	1166	877	1716	308	12	249,892	83
0	1,3	1 0 1	1749	1460	1716	308	8	374,946	125
0	1,3	1 1 0	3497	3208	1716	308	4	749,892	250
0	1,3	1 1 1	13987	13698	1716	308	1	2,097,151	699
1	1,3	0 0 1	289		3464	648	24	124,704	42
1	1,3	0 1 0	289		4152	1336	20	149,472	50
1	1,3	0 1 1	289		5536	2720	15	199,296	66
1	1,3	1 0 0	289		6920	4104	12	249,120	83
1	1,3	1 0 1	289		10384	7568	8	373,824	125
1	1,3	1 1 0	289		20760	17944	4	747,360	249
1	1,3	1 1 1	289		83048	80232	1	2,097,151	699

Bits 7-4 (RNUM#) of the FR register contain the revision number of the CH5101 device. These bits are read only. When using ELFA=1, if 30 Hz frame rate is desired a 30MHz crystal should be used, and the 24MHz MCLK control (MCE=0) should be selected. All frame rates will be scaled by the value of 30/24.

Horizontal Start Register

Symbol: HS
Address:02h
Bits:6

BIT:	7	6	5	4	3	2	1	0
SYMBOL:			HS5	HS4	HS3	HS2	HS1	HS0
TYPE:			R/W	R/W	R/W	R/W	R/W	R/W
DEFAULT:			1	1	1	1	0	1

Register HS determines the number of pixels between the leading edge of H Sync and the first active pixel to be output on the Y[7:0]. The number is in units of pixels; the range is from 0 to 63 CLKOUT and must be limited to 38 when ELFA=1. When M[2:0] = 4 or 5, this register is ignored and the timing below is followed assuming OF = 0. Values are doubled for OF = 1 mode

M[2:0]	Leadng Edge of H Sync	H Delay (CLKOUT)	Border (CLKOUT)	Active (CLKOUT)	Border (CLKOUT)	Blank (CLKOUT)	Total (CLKOUT)
4 - NTSC		122	8	704	8	16	858
5 - PAL		132	8	704	8	12	864

Vertical Start Register

Symbol:VS
Address:03h
Bits:6

BIT:	7	6	5	4	3	2	1	0
SYMBOL:		YDEL		VS4	VS3	VS2	VS1	VS0
TYPE:		R/W		R/W	R/W	R/W	R/W	R/W
DEFAULT:		0		1	0	1	0	1

Register VS determines the number of lines between the leading edge of V Sync and the first active line to be output on the Y[7:0] and C[7:0] pins. The number is in units of lines; the range is 0 to 31 lines. When ELFA = 1, this register is ignored, and there is always a one line delay between the leading edge of vertical sync and the first line with active video.

The YDEL (bit 6) controls the delay in the luma processing path. The value should match the setting of CHL.

Electronic Shutter Length High Byte

Symbol:ESLH
Address:04h
Bits:8

BIT:	7	6	5	4	3	2	1	0
SYMBOL:	ESLH7	ESLH6	ESLH5	ESLH4	ESLH3	ESLH2	ESLH1	ESLH0
TYPE:	R/W	R/W	R/W	R/W	R/W	R/W	R/W	R/W
DEFAULT:	1	1	1	1	0	0	0	0

The ESLH register, combined with the ESLE and ESLL registers determine the length of the electronic shutter.

Electronic Shutter Length Low Byte

Symbol:ESLL
Address:05h
Bits:8

BIT:	7	6	5	4	3	2	1	0
SYMBOL:	ESLL7	ESLL6	ESLL5	ESLL4	ESLL3	ESLL2	ESLL1	ESLL0
TYPE:	R/W	R/W	R/W	R/W	R/W	R/W	R/W	R/W
DEFAULT:	0	0	0	0	0	0	0	0

Registers ESLE, ESLH and ESLL specify the duration of the electronic shutter. These 21 bits are concatenated into a single 21-bit word ({ESLE,ESLH,ESLL}) whose value is multiplied by 8. The shutter is enabled for this number of MCLKs. The duration of the shutter can, therefore, be determined from the equation $(8*(65536*ESLE + 256*ESLH + ESLL))/MCLK$. The range is from 0mS to 699mS, but is limited to a lower value in some frame rates (see Frame Rate Register description). When the autoshutter algorithm is controlling the shutter value and this register is read out, the autoshutter generated value is read instead of the actual I²C register content.

Programmable Sample and Hold Gain Register

Symbol: PSHG
Address:17h
Bits:8

BIT:	7	6	5	4	3	2	1	0
SYMBOL:	Reserved	Reserved	GAM1	GAM0	Reserved	PSHG2	PSHG1	PSHG0
TYPE:	R/W	R/W	R/W	R/W	R/W	R/W	R/W	R/W
DEFAULT:	0	0	0	1	1	0	0	1

Register PSHG specifies the gain of the programmable sample and hold before A/D conversion. There are eight gain settings from a gain of 1.5x to a gain of 5.0x. When the autoshutter algorithm is controlling the gain value and this register is read out, the autoshutter generated gain value is read instead of the actual IIC register content. Bits 5 and 4 (GAM[1:0]) control the gamma correction used, according to **Table 10**. Gamma is not available in ADDO mode

Table 10. Gamma Correction

GAM1	GAM0	Gamma
0	0	1.0
0	1	1.6
1	0	2.2
1	1	2.2

Clamp Level Register

Symbol:BCLMP
Address:18h
Bits:5

BIT:	7	6	5	4	3	2	1	0
SYMBOL:	BCLMP7	BCLMP6	BCLMP5	BCLMP4	BCLMP3	BCLMP2	BCLMP1	BCLMP0
TYPE:	R/W	R/W	R/W	R/W	R/W	R/W	R/W	R/W
DEFAULT:	1	0	0	0	0	0	0	0

Register BCLMP specifies the offset level used in the black level clamp block. A value of 0 in register BCLMP will nominally cause the A/D to output a value of zero for a dark cell input. The register value is 2's complement and ranges from -128 at maximum brightness to +127 at minimum brightness. This register has no effect when the ASBE bit is HIGH (default).

Miscellaneous Register

Symbol:MISC
Address:19h
Bits:7

BIT:	7	6	5	4	3	2	1	0
SYMBOL:	Reserved	Reserved	DVDD	PD	VSP	HSP	BDR1	BDR0
TYPE:	R/W	R/W	R/W	R/W	R/W	R/W	R/W	R/W
DEFAULT:	1	0	0	PUD4*	0	0	0	0

Bits 0 and 1 of the MISC register control the border color that is output on each line containing active video for eight 13.5MHz clocks before the start of active video and eight 13.5MHz clocks after active video. This is only done when the IC is placed into display mode four or five (M[2:0] = 4, 5). In these modes, the luminance data has been interpolated to a pixel rate of 13.5MHz. Therefore, 8 pixels equals 592.5nS. **Table 11** describes the border colors.

Table 11. Border Colors

BDR 1	BDR 0	Color	Y Value	CR Value	CB Value
0	0	Black	16	128	128
0	1	Blue	40	110	240
1	0	Green	144	33	53
1	1	White	235	128	128

Bits 2 and 3 (HSP and VSP) of the MISC register control the polarity of the H and V sync signals.

Bit 4 (PD) of the MISC register places the IC in a power down mode. When PD=1, clocks to all digital circuitry are disabled and analog circuitry bias currents are shut down. When PD=0, the IC is placed in its normal operating mode according to the user inputs. The default value of this bit is set using the PUD5 input.

Bit 5 (DVDD) of the MISC register is a reserved bit for memory control.

Device ID Register

Symbol: DID
Address: 1Ah
Bits: 8

BIT:	7	6	5	4	3	2	1	0
SYMBOL:	DID7	DID6	DID5	DID4	DID3	DID2	DID1	DID0
TYPE:	R	R	R	R	R	R	R	R
DEFAULT:	0	0	1	0	0	0	0	0

Register DID is a read only register which holds the device ID number of the CH5101.

Test Register

Symbol: TST
Address: 1Bh
Bits: 8

BIT:	7	6	5	4	3	2	1	0
SYMBOL:	LM Done	LS Select	LM Test	IOC1	IOC0	CSH2	CSH1	CSH0
TYPE:	R	R/W	R/W	R/W	R/W	R/W	R/W	R/W
DEFAULT:	0	0	0	0	0	0	0	0

TST is a test register.

Test Memory Register

Symbol: TM
Address: 1Ch
Bits: 8

BIT:	7	6	5	4	3	2	1	0
SYMBOL:	TM7	TM6	TM5	TM4	TM3	TM2	TM1	TM0
TYPE:	R	R	R	R	R	R	R	R
DEFAULT:	0	0	0	0	0	0	0	0

TM is a test register.

Auto-Shutter Enable

Symbol:ASE
Address:1Dh
Bits:8

BIT:	7	6	5	4	3	2	1	0
SYMBOL:	ASSE	ASBE	ASGE	Reserved	Reserved	ASSPD2	ASSPD1	ASSPD0
TYPE:	R/W	R/W	R/W	R/W	R/W	R/W	R/W	R/W
DEFAULT:	1	1	1	0	0	1	0	0

Bits 0-2 of the ASE register control the speed of the autoshutter loop. Values 0 through 4 are valid.

Bits 3 - 4 of the ASE register are reserved, and should be left at their default value.

Bit 5 of the ASE register enables the autoshutter algorithm to adjust the gain of the programmable sample and hold. A 1 in this location allows the autoshutter algorithm to control this gain. A zero in this location disables the autoshutter algorithm from controlling this value, and allows bits 2-0 of register PSHG (17H) to control the gain.

Bit 6 of the ASE register enables the autoshutter algorithm to adjust the black level (bias) of the readout signal prior to A/D conversion. A 1 in this location allows the autoshutter algorithm to control the black level. A 0 in this location disables the autoshutter algorithm from controlling this value and allows bits 7-0 of register BCLMP (18H) to control the black level.

Bit 7 of the ASE register enables the autoshutter algorithm to adjust the shutter duration. A 1 in this location allows the autoshutter algorithm to control the shutter. A zero in this location disables the autoshutter algorithm from controlling this value and allows registers ESLE, ESLH and ESLL to control the shutter duration.

Auto-Shutter Window / Input Control

Symbol:ASW
Address:1Eh
Bits:7

BIT:	7	6	5	4	3	2	1	0
SYMBOL:		ASME	ASCSC	ASWD	ASW3	ASW2	ASW1	ASW0
TYPE:		R/W	R/W	R/W	R/W	R/W	R/W	R/W
DEFAULT:		1	0	0	PUD3*	PUD2*	PUD1*	PUD0*

Bits 0, 1, 2 and 3 of the ASW register determine the active window that is used to operate the autoshutter algorithm. There are 16 possible windows, which are shown in **Figure 12**. The default value of these bits can be set using the PUD [3:0] inputs. This allows the backlight compensation window to be set without using IIC control.

Bit 4 of the ASW register enables the selected window to be highlighted in the image which is output from the CH5101. All image outside of the window will be reduced in amplitude.

Bits 5 and 6 of the ASW register determine which data is input to the autoshutter algorithm, according to **Table 12**.

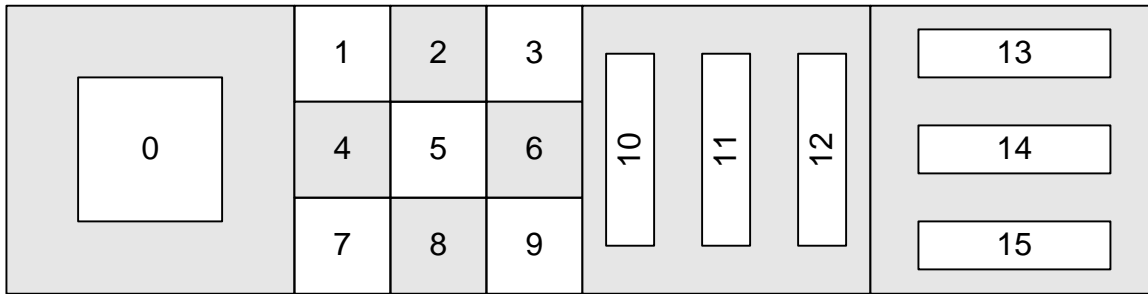


Figure 12: ASW Register Possible Windows

Table 12. Autosshutter Algorithm Input

ASME	ASCSC	Input to Autosshutter Algorithm
0	0	'Y[7:0]' output of 2-D filter
0	1	A/D output
1	x	MAX (A/D, Y[7:0])

Auto-Shutter Black Count Threshold

Symbol:ASBC
Address:1Fh
Bits:8

BIT:	7	6	5	4	3	2	1	0
SYMBOL:	ASBC4	ASBC3	ASBC2	ASBC1	ASBC0	ASBT2	ASBT1	ASBT0
TYPE:	R/W	R/W	R/W	R/W	R/W	R/W	R/W	R/W
DEFAULT:	1	1	1	1	1	0	0	1

Bits 2-0 of register ASBC determine the black threshold used by the auto-shutter algorithm. The value used is $8 \cdot ASBT + 3$. Bits 7-3 of register ASBC determine the number of pixels below the ASBT level. When the number of pixels is less than this value, the autosshutter algorithm will adjust the black level downwards. When the number of pixels is greater than this value, the black level will be adjusted upwards.

Auto-Shutter White Count Threshold

Symbol:ASWC
Address:20h
Bits:8

BIT:	7	6	5	4	3	2	1	0
SYMBOL:	ASWC7	ASWC6	ASWC5	ASWC4	ASWC3	ASWC2	ASWC1	ASWC0
TYPE:	R/W	R/W	R/W	R/W	R/W	R/W	R/W	R/W
DEFAULT:	1	0	0	0	0	0	0	0

The number of pixels above the white level is compared to the ASWC value to determine the direction that the shutter value should be changed.

Electronic Shutter Length Extended Value

Symbol: ESLE

Address:21h

Bits:5

BIT:	7	6	5	4	3	2	1	0
SYMBOL:				ESLE4	ESLE3	ESLE2	ESLE1	ESLE0
TYPE:				R/W	R/W	R/W	R/W	R/W
DEFAULT:				0	0	0	0	0

The ESLE register, combined with the ESLH and ESSL registers, determine the length of the electronic shutter.

Miscellaneous Register 2

Symbol:MISC2

Address:22h

Bits:7

BIT:	7	6	5	4	3	2	1	0
SYMBOL:	RENB	Reserved	Reserved	Reserved	ADDO	CLKOUTP	DVC	MCF
TYPE:	R/W	R/W	R/W	R/W	R/W	R/W	R/W	R/W
DEFAULT:	0	0	0	1	PUD5*	0	0	1

Bit 0 (Master Clock Frequency) of register MISC2 refers to the CH5101 the master clock (XO) frequency. A 0 should be written to this location when the master clock is 24MHz. A 1 should be written to this location when the master clock is 27MHz. When modes four or five are selected (M[2:0] = 4,5), the master clock must be 27MHz.

Bit 1 (Data Valid Control) of register MISC2 selects whether or not the CLKOUT signal is gated. When this bit is a 0, the CLKOUT pin will produce a continuous clock output signal. When bit DVC is a 1, the CLKOUT will be gated, and will be active when active data is being output from the CH5101, and inactive when non-active data is present at the outputs.

Bit 2 (CLKOUT Polarity) of register MISC2 selects the polarity of the CLKOUT signal. A 0 in this location means output data has been latched with the positive edge of the CLKOUT signal. A 1 in this location means output data has been latched with the negative edge of the CLKOUT signal.

Bit 3 (A/D Direct Output) of register MISC2 selects whether the output signal is directly from the A/D converter or after the datapath postprocessing. In both cases, the relationship between the Hsync, Vsync and active video will remain the same. When a 0 is written to this location, the Y[7:0] will output luma data from the datapath circuitry. When a 1 is written to this location, the Y[7:0] pins will contain the A/D data directly with no postprocessing. If 8-bit output mode is selected, the A/D output will be multiplexed with the decimal value 128 to enable connection to an 8-bit video encoder resulting in a black and white image.

Bit 7 (RENB) of register MISC2 enables the refresh circuitry of the DRAM. A zero in this location allows refresh of the memories to be performed. A 1 in this location prevents the refresh.

Miscellaneous Register 3

Symbol:MISC3

Address:23h

Bits:6

BIT:	7	6	5	4	3	2	1	0
SYMBOL:	ADFSR	Reserved	Reserved	Reserved	CKDLY3	CKDLY2	CKDLY1	CKDLY0
TYPE:	R/W	R/W	R/W	R/W	R/W	R/W	R/W	R/W
DEFAULT:	0	0	1	1	1	0	0	1

Bits 0-3 (Clock Delay) of register MISC3 determine the clock delay between the analog and digital clocks. The recommended value is 9

Bit 7 (A/D Full Scale Range) of register MISC3 changes the full scale range of the AD converter. A 0 in this location sets the A/D full scale range at ± 1 volt. A 1 in this location sets the A/D full scale range at ± 0.25 volt. This bit can be combined with the PSHG[2:0] to form a 4-bit control.

Power Down Register

Symbol:PD

Address:24h

Bits:3

BIT:	7	6	5	4	3	2	1	0
SYMBOL:				ResetB	Reserved	PD2	PD1	PD0
TYPE:				R/W	R/W	R/W	R/W	R/W
DEFAULT:				1	0	0	0	0

Bits 2-0 of register PD are used to power down portions of circuitry during test modes. These bits should always be set to zero during normal operation.

Bit 4 of register PD is used to perform a software reset on the device. It is logically AND'd with the power on reset signal. The output of this AND'ing will be used to reset all circuitry in the CH5101, except for the ResetB bit itself and the IIC state machines. ResetB and the IIC state machines are reset by the power on reset signal only.

Address Register

Symbol:AR

Address:26h

Bits:8

BIT:	7	6	5	4	3	2	1	0
SYMBOL:	AR7	AR6	AR5	AR4	AR3	AR2	AR1	AR0
TYPE:	R	R	R	R	R	R	R	R
DEFAULT:	0	0	0	0	0	0	0	0

Register AR is the CH5101 address register, which holds the address of the register currently being accessed.

Electrical Specifications

Table 13. Absolute Maximum Ratings

Symbol	Description	Min	Typ	Max	Units
	V _{DD} relative to GND	- 0.5		7.0	V
	Input voltage of all digital pins ¹	GND - 0.5		V _{DD} + 0.5	V
T _{STOR}	Storage temperature	- 65		150	°C
T _J	Junction temperature			150	°C
T _{VPS}	Vapor phase soldering (one minute)			220	°C

Notes:

- 1 Stresses greater than those listed under absolute maximum ratings may cause permanent damage to the device. These are stress ratings only. Functional operation of the device at these or any other conditions above those indicated under the normal operating condition of this specification is not recommended. Exposure to absolute maximum rating conditions for extended periods may affect reliability.
- 2 The device is fabricated using high-performance CMOS technology. It should be handled as an ESD sensitive device. Voltage on any signal pin that exceeds the power supply voltage by more than +0.5V can induce destructive latch.

Table 14. Recommended Operating Conditions

Symbol	Description	Min	Typ	Max	Unit
DV _{DD}	Digital supply voltage	4.75	5.00	5.25	V
AV _{DD}	Analog supply voltage	4.75	5.00	5.25	V
T _A	Ambient operating temperature	0	25	40	C

Table 15. Digital Inputs/Outputs

Symbol	Description	Test Condition @TA= 25° C	Min	Typ	Max	Unit
V _{oh}	Output high voltage	I _{oh} = .400 mA	2.8			v
V _{ol}	Output low voltage	I _{ol} = 3.2 mA			0.4	V
V _{ih}	Input high voltage		3.4		V _{DD}	V
V _{il}	Input low voltage		GND		0.8	V
I _{lk}	Input leakage current		-10		10	μA

Table 16. Timing Characteristics

Symbol	Description	Min	Typ	Max	Unit
t _{VSW}	Vertical sync pulse width		2		Lines
t _{HSW}	Horizontal sync pulse width		64		MCLK
t _{HD}	Horizontal and vertical sync delay from clock	2		10	nS
t _P	CLKOUT period (varies with mode and output format)	37		148.2	nS
t _{PH}	CLKOUT high time	14.8		89	nS
t _{PL}	CLKOUT low time	14.8		89	nS
t _{SP}	CLKOUT to pixel data setup time	2			ns
t _{HP}	CLKOUT to pixel data hold time	2			ns

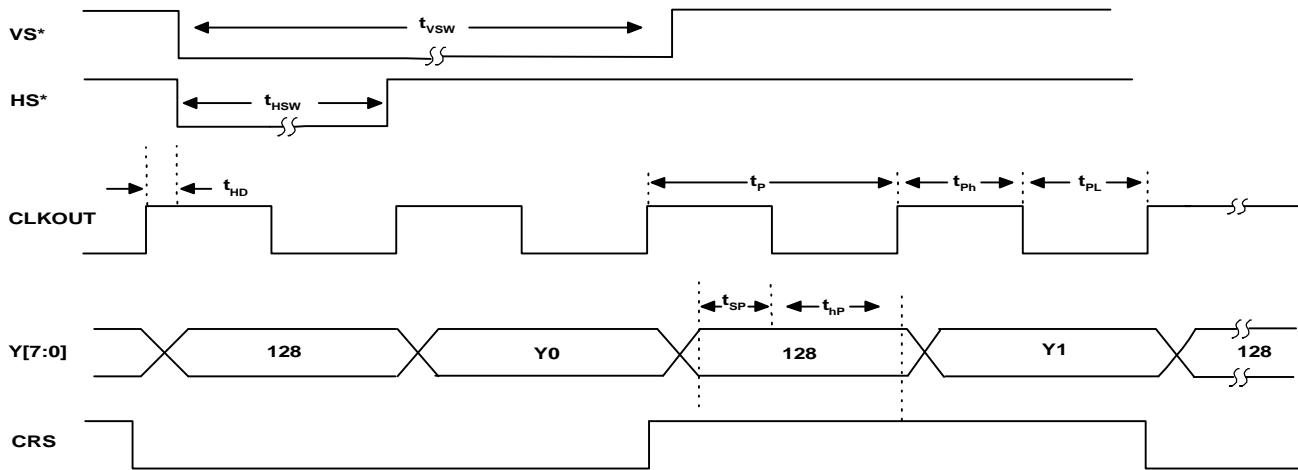


Figure 13: Timing Diagram ($M[2:0] = 1, OF = 1, H\ Start = 0$)

Note: The output pixel Y_0 will be delayed by 2 times the value of the HStart register + 1 CLKOUT cycles, if HStart is non-zero.

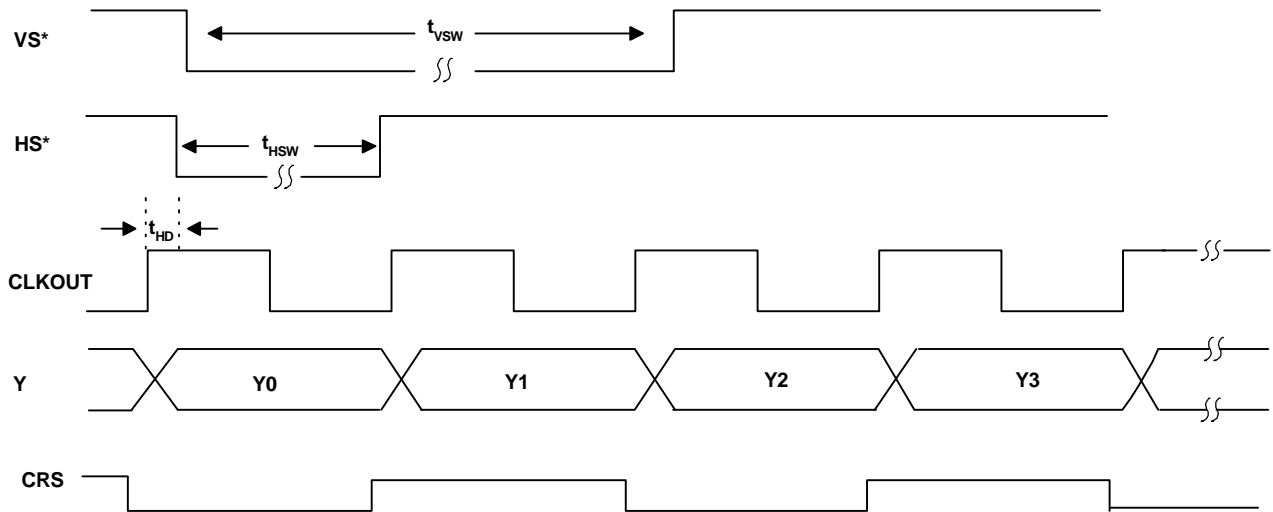


Figure 14: Timing Diagrams ($M[2:0] = 1, OF = 0, HStart = 0$)

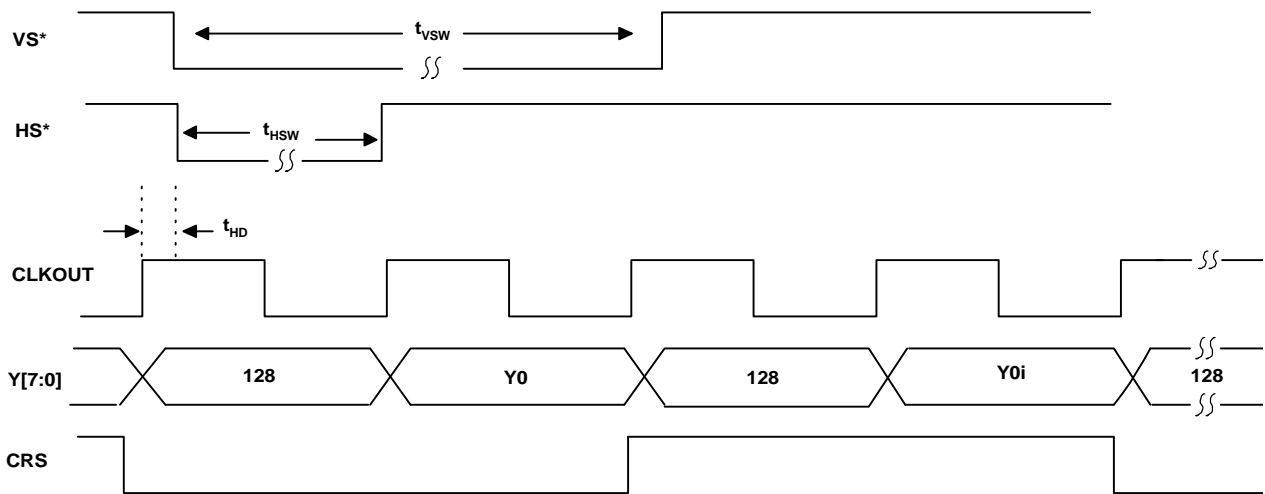


Figure 15: Timing Diagram ($M[2:0] = 4$ or 5 , $OF = 1$)

Note: See the HStart register description for the relationship between HS^* and the first active data ($Y0$)

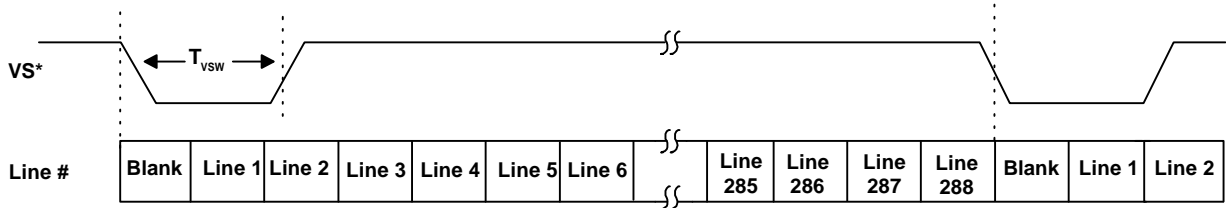


Figure 16: Vertical Sync to Video Timing - $ELFA = 1$

Note: when $ELFA = 0$, the one blank line following the falling edge of VS^* is increased to the value from the Vstart register.

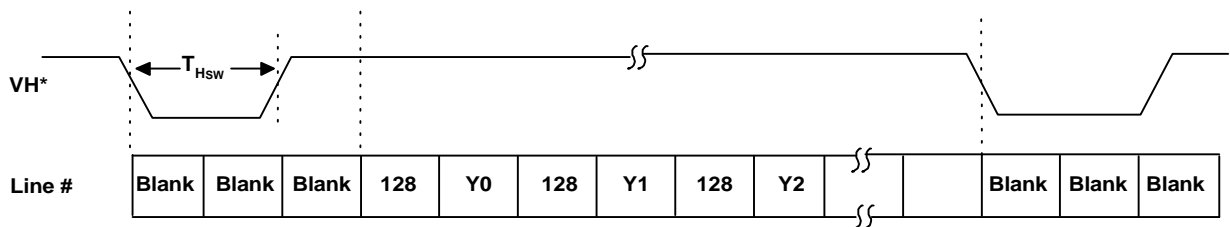


Figure 17: Horizontal Sync to Video Timing

Note: The number of blank pixels from the leading edge of HS^* to the first active pixel is determined from the HSTART register.

ORDERING INFORMATION			
Part number	Package type	Number of pins	Voltage supply
CH5101A-L	LCC	52	5V
CH5101A-Q	PQFP	52	5V

Chrontel

**2210 O'Toole Avenue
San Jose, CA 95131-1326**

Tel: (408) 383-9328

Tax: (408) 383-9338

www.chrontel.com

Email: sales@chrontel.com

©1998 Chrontel, Inc. All Rights Reserved.

Chrontel PRODUCTS ARE NOT AUTHORIZED FOR AND SHOULD NOT BE USED WITHIN LIFE SUPPORT SYSTEMS OR NUCLEAR FACILITY APPLICATIONS WITHOUT THE SPECIFIC WRITTEN CONSENT OF Chrontel. Life support systems are those intended to support or sustain life and whose failure to perform when used as directed can reasonably expect to result in personal injury or death. Chrontel reserves the right to make changes at any time without notice to improve and supply the best possible product and is not responsible and does not assume any liability for misapplication or use outside the limits specified in this document. We provide no warranty for the use of our products and assume no liability for errors contained in this document. Printed in the U.S.A.