

FEATURES

- ARM720T Processor
 - ARM7TDMI CPU
 - 8 KB of four-way set-associative cache
 - MMU with 64-entry TLB
 - Thumb code support enabled
- Ultra low power
 - 90 mW at 74 MHz typical
 - 30 mW at 18 MHz typical
 - 10 mW in the Idle State
 - <1 mW in the Standby State
- Advanced audio decoder/decompression capability
 - Supports bit streams with adaptive bit rates
 - Allows for support of multiple audio decompression algorithms (MP3, WMA, AAC, ADPCM, Audible, etc.)



**High-Performance,
Low-Power System on Chip
Enhanced
Digital Audio Interface**

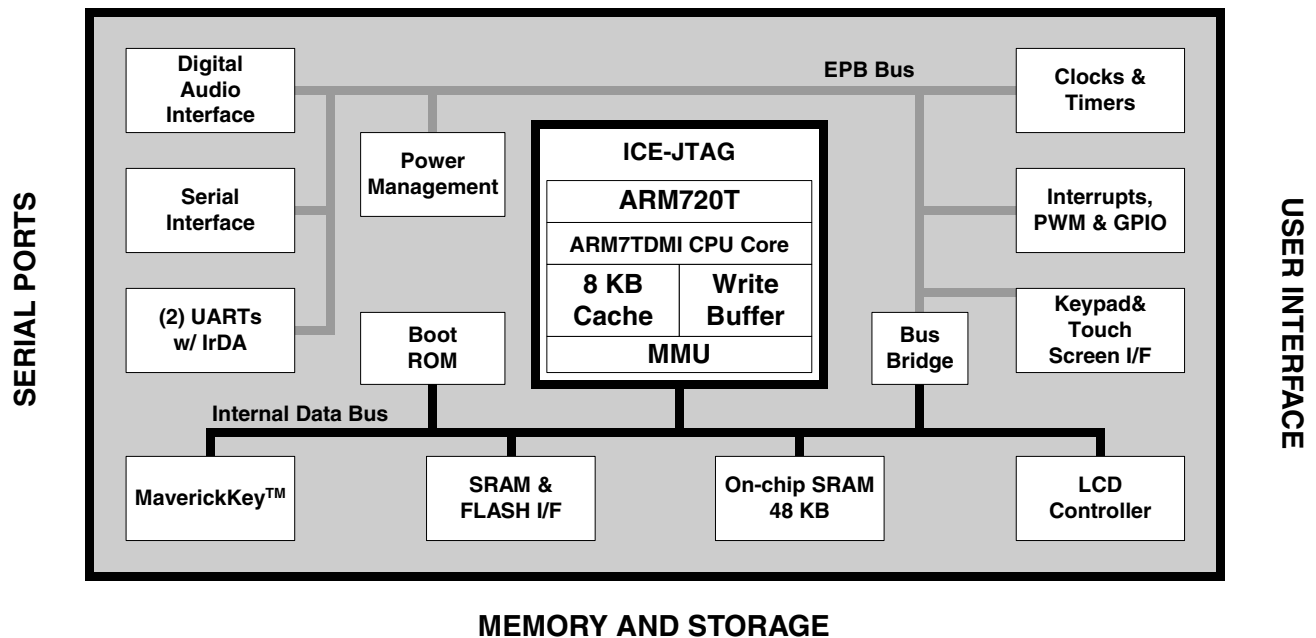
OVERVIEW

The Maverick™ EP7309 is designed for ultra-low-power applications such as digital music players, internet appliances, smart cellular phones or any hand-held device that features the added capability of digital audio decompression. The core-logic functionality of the device is built around an ARM720T processor with 8 KB of four-way set-associative unified cache and a write buffer. Incorporated into the ARM720T is an enhanced memory management unit (MMU) which allows for support of sophisticated operating systems like Microsoft® Windows® CE and Linux®.

(cont.)

(cont.)

BLOCK DIAGRAM



FEATURES (cont)

- Dynamically programmable clock speeds of 18, 36, 49, and 74 MHz
- 48 KB of on-chip SRAM
- MaverickKey™ IDs
 - 32-bit unique ID can be used for SDMI compliance
 - 128-bit random ID
- LCD controller
 - Interfaces directly to a single-scan panel monochrome STN LCD
 - Interfaces to a single-scan panel color STN LCD with minimal external glue logic
- Full JTAG boundary scan and Embedded ICE® support
- Integrated Peripheral Interfaces
 - 8/32/16-bit SRAM/FLASH/ROM Interface
 - Digital Audio Interface providing glueless interface to low-power DACs, ADCs and CODECs
 - Two Synchronous Serial Interfaces (SSI1, SSI2)
 - CODEC Sound Interface
- 8x8 Keypad Scanner
- 27 General Purpose Input/Output pins
- Dedicated LED flasher pin from the RTC
- Internal Peripherals
 - Two 16550 compatible UARTs
 - IrDA Interface
 - Two PWM Interfaces
 - Real-time Clock
 - Two general purpose 16-bit timers
 - Interrupt Controller
 - Boot ROM
- Package
 - 208-Pin LQFP
 - 256-Ball PBGA
 - 204-Ball TFBGA
- The fully static EP7309 is optimized for low power dissipation and is fabricated on a 0.25 micron CMOS process

OVERVIEW (cont.)

The EP7309 is designed for ultra-low-power operation. Its core operates at only 2.5 V, while its I/O has an operation range of 2.5 V–3.3 V. The device has three basic power states: operating, idle and standby.

MaverickKey unique hardware programmed IDs are a solution to the growing concern over secure web content and commerce. With Internet security playing an important role in the delivery of digital media such as books or music, traditional software methods are quickly becoming unreliable. The MaverickKey unique IDs provide OEMs with a method of utilizing specific hardware IDs such as those assigned for SDMI (Secure Digital Music Initiative) or any other authentication mechanism.

The EP7309 integrates an interface to enable a direct connection to many low cost, low power, high quality audio converters. In particular, the DAI can directly interface with the Crystal, CS43L41/42/43 low-power audio DACs and the Crystal, CS53L32 low-power ADC. Some of these devices feature digital bass and treble boost, digital volume control and compressor-limiter functions.

Simply by adding desired memory and peripherals to the highly integrated EP7309 completes a low-power system solution. All necessary interface logic is integrated on-chip.

Contacting Cirrus Logic Support

For a complete listing of Direct Sales, Distributor, and Sales Representative contacts, visit the Cirrus Logic web site at:
<http://www.cirrus.com/corporate/contacts>

Preliminary product information describes products which are in production, but for which full characterization data is not yet available. Advance product information describes products which are in development and subject to development changes. Cirrus Logic, Inc. has made best efforts to ensure that the information contained in this document is accurate and reliable. However, the information is subject to change without notice and is provided "AS IS" without warranty of any kind (express or implied). No responsibility is assumed by Cirrus Logic, Inc. for the use of this information, nor for infringements of patents or other rights of third parties. This document is the property of Cirrus Logic, Inc. and implies no license under patents, copyrights, trademarks, or trade secrets. No part of this publication may be copied, reproduced, stored in a retrieval system, or transmitted, in any form or by any means (electronic, mechanical, photographic, or otherwise) without the prior written consent of Cirrus Logic, Inc. Items from any Cirrus Logic website or disk may be printed for use by the user. However, no part of the printout or electronic files may be copied, reproduced, stored in a retrieval system, or transmitted, in any form or by any means (electronic, mechanical, photographic, or otherwise) without the prior written consent of Cirrus Logic, Inc. Furthermore, no part of this publication may be used as a basis for manufacture or sale of any items without the prior written consent of Cirrus Logic, Inc. The names of products of Cirrus Logic, Inc. or other vendors and suppliers appearing in this document may be trademarks or service marks of their respective owners which may be registered in some jurisdictions. A list of Cirrus Logic, Inc. trademarks and service marks can be found at <http://www.cirrus.com>.

Processor Core - ARM720T

The EP7309 incorporates an ARM 32-bit RISC microcontroller that controls a wide range of on-chip peripherals. The processor utilizes a three-stage pipeline consisting of fetch, decode and execute stages. Key features include:

- ARM (32-bit) and Thumb (16-bit compressed) instruction sets
- Enhanced MMU for Microsoft Windows CE and other operating systems
- 8 KB of 4-way set-associative cache.
- Translation Look Aside Buffers with 64 Translated Entries

Power Management

The EP7309 is designed for ultra-low-power operation. Its core operates at only 2.5 V, while its I/O has an operation range of 2.5 V–3.3 V allowing the device to achieve a performance level equivalent to 60 MIPS. The device has three basic power states:

- Operating — This state is the full performance state. All the clocks and peripheral logic are enabled.
- Idle — This state is the same as the Operating State, except the CPU clock is halted while waiting for an event such as a key press.
- Standby — This state is equivalent to the computer being switched off (no display), and the main oscillator shut down. An event such as a key press can wake-up the processor.

Pin Mnemonic	I/O	Pin Description
BATOK	I	Battery ok input
nEXTPWR	I	External power supply sense input
nPWRFL	I	Power fail sense input
nBATCHG	I	Battery changed sense input

Table A. Power Management Pin Assignments

MaverickKey™ Unique ID

MaverickKey unique hardware programmed IDs are a solution to the growing concern over secure web content and commerce. With Internet security playing an important role in the delivery of digital media such as books or music, traditional software methods are quickly becoming unreliable. The MaverickKey unique IDs provide OEMs with a method of utilizing specific hardware IDs such as those assigned for SDMI (Secure

Digital Music Initiative) or any other authentication mechanism.

Both a specific 32-bit ID as well as a 128-bit random ID is programmed into the EP7309 through the use of laser probing technology. These IDs can then be used to match secure copyrighted content with the ID of the target device the EP7309 is powering, and then deliver the copyrighted information over a secure connection. In addition, secure transactions can benefit by also matching device IDs to server IDs. MaverickKey IDs provide a level of hardware security required for today's Internet appliances.

Memory Interfaces

The EP7309 is equipped with a ROM/SRAM/FLASH-style interface that has programmable wait-state timings and includes burst-mode capability, with six chip selects decoding six 256 MB sections of addressable space. For maximum flexibility, each bank can be specified to be 8-, 16-, or 32-bits wide. This allows the use of 8-bit-wide boot ROM options to minimize overall system cost. The on-chip boot ROM can be used in product manufacturing to serially download system code into system FLASH memory. To further minimize system memory requirements and cost, the ARM Thumb instruction set is supported, providing for the use of high-speed 32-bit operations in 16-bit op-codes and yielding industry-leading code density.

Pin Mnemonic	I/O	Pin Description
nCS[5:0]	O	Chip select out
A[27:0]	O	Address output
D[31:0]	I/O	Data I/O
nMOE	O	ROM expansion OP enable
nMWE	O	ROM expansion write enable
HALFWORD	O	Halfword access select output
WORD	O	Word access select output
WRITE	O	Transfer direction

Table B. Static Memory Interface Pin Assignments

Digital Audio Capability

The EP7309 uses its powerful 32-bit RISC processing engine to implement audio decompression algorithms in software. The nature of the on-board RISC processor, and the availability of efficient C-compilers and other software development tools, ensures that a wide range of audio decompression algorithms can easily be ported to and run on the EP7309

Universal Asynchronous Receiver/Transmitters (UARTs)

The EP7309 includes two 16550-type UARTs for RS-232 serial communications, both of which have two 16-byte FIFOs for receiving and transmitting data. The UARTs support bit rates up to 115.2 kbps. An IrDA SIR protocol encoder/decoder can be optionally switched into the RX/TX signals to/from UART 1 to enable these signals to drive an infrared communication interface directly.

Pin Mnemonic	I/O	Pin Description
TXD[1]	O	UART 1 transmit
RXD[1]	I	UART 1 receive
CTS	I	UART 1 clear to send
DCD	I	UART 1 data carrier detect
DSR	I	UART 1 data set ready
TXD[2]	O	UART 2 transmit
RXD[2]	I	UART 2 receive
LEDDRV	O	Infrared LED drive output
PHDIN	I	Photo diode input

Table C. Universal Asynchronous Receiver/Transmitters Pin Assignments

Digital Audio Interface (DAI)

The EP7309 integrates an interface to enable a direct connection to many low cost, low power, high quality audio converters. In particular, the DAI can directly interface with the Crystal CS43L41/42/43 low-power audio DACs and the Crystal CS53L32 low-power ADC. Some of these devices feature digital bass and treble boost, digital volume control and compressor-limiter functions.

Pin Mnemonic	I/O	Pin Description
SCLK	O	Serial bit clock
SDOUT	O	Serial data out
SDIN	I	Serial data in
LRCK	O	Sample clock
MCLKIN	I	Master clock input
MCLKOUT	O	Master clock output

Table D. DAI Interface Pin Assignments

Note: See [Table Q on page 7](#) for information on pin multiplexes.

CODEC Interface

The EP7309 includes an interface to telephony-type CODECs for easy integration into voice-over-IP and other voice communications systems. The CODEC interface is multiplexed to the same pins as the DAI and SSI2.

Pin Mnemonic	I/O	Pin Description
PCMCLK	O	Serial bit clock
PCMOUT	O	Serial data out
PCMIN	I	Serial data in
PCMSYNC	O	Frame sync

Table E. CODEC Interface Pin Assignments

Note: See [Table Q on page 7](#) for information on pin multiplexes.

SSI2 Interface

An additional SPI/Microwire1-compatible interface is available for both master and slave mode communications. The SSI2 unit shares the same pins as the DAI and CODEC interfaces through a multiplexer.

- Synchronous clock speeds of up to 512 kHz
- Separate 16 entry TX and RX half-word wide FIFOs
- Half empty/full interrupts for FIFOs
- Separate RX and TX frame sync signals for asymmetric traffic

Pin Mnemonic	I/O	Pin Description
SSICLK	I/O	Serial bit clock
SSITXDA	O	Serial data out
SSIRXDA	I	Serial data in
SSITXFR	I/O	Transmit frame sync
SSIRXFR	I/O	Receive frame sync

Table F. SSI2 Interface Pin Assignments

Note: See [Table Q on page 7](#) for information on pin multiplexes.

Synchronous Serial Interface

- ADC (SSI) Interface: Master mode only; SPI and Microwire1-compatible (128 kbps operation)
- Selectable serial clock polarity

Pin Mnemonic	I/O	Pin Description
ADCLK	O	SSI1 ADC serial clock
ADCIN	I	SSI1 ADC serial input
ADCOUT	O	SSI1 ADC serial output
nADCCS	O	SSI1 ADC chip select
SMPCLK	O	SSI1 ADC sample clock

Table G. Serial Interface Pin Assignments

LCD Controller

A DMA address generator is provided that fetches video display data for the LCD controller from memory. The display frame buffer start address is programmable, allowing the LCD frame buffer to be in SDRAM, internal SRAM or external SRAM.

- Interfaces directly to a single-scan panel monochrome STN LCD
- Interfaces to a single-scan panel color STN LCD with minimal external glue logic
- Panel width size is programmable from 32 to 1024 pixels in 16-pixel increments
- Video frame buffer size programmable up to 128 KB
- Bits per pixel of 1, 2, or 4 bits

Pin Mnemonic	I/O	Pin Description
CL1	O	LCD line clock
CL2	O	LCD pixel clock out
DD[3:0]	O	LCD serial display data bus
FRM	O	LCD frame synchronization pulse
M	O	LCD AC bias drive

Table H. LCD Interface Pin Assignments

64-Keypad Interface

Matrix keyboards and keypads can be easily read by the EP7309. A dedicated 8-bit column driver output generates strobes for each keyboard column signal. The pins of Port A, when configured as inputs, can be selectively OR'ed together to provide a keyboard interrupt that is capable of waking the system from a STANDBY or IDLE state.

- Column outputs can be individually set high with the remaining bits left at high-impedance
- Column outputs can be driven all-low, all-high, or all-high-impedance
- Keyboard interrupt driven by OR'ing together all Port A bits
- Keyboard interrupt can be used to wake up the system
- 8x8 keyboard matrix usable with no external logic, extra keys can be added with minimal glue logic

Pin Mnemonic	I/O	Pin Description
COL[7:0]	O	Keyboard scanner column drive

Table I. Keypad Interface Pin Assignments

Interrupt Controller

When unexpected events arise during the execution of a program (i.e., interrupt or memory fault) an exception is usually generated. When these exceptions occur at the same time, a fixed priority system determines the order in which they are handled. The EP7309 interrupt controller has two interrupt types: interrupt request (IRQ) and fast interrupt request (FIQ). The interrupt controller has the ability to control interrupts from 22 different FIQ and IRQ sources.

- Supports 22 interrupts from a variety of sources (such as UARTs, SSI1, and key matrix.)
- Routes interrupt sources to the ARM720T's IRQ or FIQ (Fast IRQ) inputs
- Five dedicated off-chip interrupt lines operate as level sensitive interrupts

Pin Mnemonic	I/O	Pin Description
nEINT[2:1]	I	External interrupt
EINT[3]	I	External interrupt
nEXTFIQ	I	External Fast Interrupt input
nMEDCHG/nBROM (Note)	I	Media change interrupt input

Table J. Interrupt Controller Pin Assignments

Note: Pins are multiplexed. See [Table R on page 7](#) for more information.

Real-Time Clock

The EP7309 contains a 32-bit Real Time Clock (RTC) that can be written to and read from in the same manner as the timer counters. It also contains a 32-bit output match register which can be programmed to generate an interrupt.

- Driven by an external 32.768 kHz crystal oscillator

Pin Mnemonic	Pin Description
RTCIN	Real-Time Clock Oscillator Input
RTCOUT	Real-Time Clock Oscillator Output
VDDRTC	Real-Time Clock Oscillator Power
VSSRTC	Real-Time Clock Oscillator Ground

Table K. Real-Time Clock Pin Assignments

PLL and Clocking

- Processor and Peripheral Clocks operate from a single 3.6864 MHz crystal or external 13 MHz clock
- Programmable clock speeds allow the peripheral bus to run at 18 MHz when the processor is set to 18 MHz and at 36 MHz when the processor is set to 36, 49 or 74 MHz

Pin Mnemonic	Pin Description
MOSCIN	Main Oscillator Input
MOSCOUT	Main Oscillator Output
VDDOSC	Main Oscillator Power
VSSOSC	Main Oscillator Ground

Table L. PLL and Clocking Pin Assignments

DC-to-DC converter interface (PWM)

- Provides two 96 kHz clock outputs with programmable duty ratio (from 1-in-16 to 15-in-16) that can be used to drive a positive or negative DC to DC converter

Pin Mnemonic	I/O	Pin Description
DRIVE[1:0]	I/O	PWM drive output
FB[1:0]	I	PWM feedback input

Table M. DC-to-DC Converter Interface Pin Assignments

Timers

- Internal (RTC) timer
- Two internal 16-bit programmable hardware count-down timers

General Purpose Input/Output (GPIO)

- Three 8-bit and one 3-bit GPIO ports
- Supports scanning keyboard matrix

Pin Mnemonic	I/O	Pin Description
PA[7:0]	I	GPIO port A
PB[7:0]	I	GPIO port B
PD[0]/LEDFLSH (Note)	I/O	GPIO port D
PD[5:1]	I/O	GPIO port D
PD[7:6]/SDQM[1:0] (Note)	I/O	GPIO port D
PE[1:0]/BOOTSEL[1:0] (Note)	I	GPIO port E
PE[2]/CLKSEL (Note)	I	GPIO port E

Table N. General Purpose Input/Output Pin Assignments

Note: Pins are multiplexed. See Table R on page 7 for more information.

Hardware debug Interface

- Full JTAG boundary scan and Embedded ICE[®] support

Pin Mnemonic	I/O	Pin Description
TCLK	I	JTAG clock
TDI	I	JTAG data input
TDO	O	JTAG data output
nTRST	I	JTAG async reset input
TMS	I	JTAG mode select

Table O. Hardware Debug Interface Pin Assignments

LED Flasher

A dedicated LED flasher module can be used to generate a low frequency signal on Port D pin 0 for the purpose of blinking an LED without CPU intervention. The LED flasher feature is ideal as a visual annunciator in battery powered applications, such as a voice mail indicator on a portable phone or an appointment reminder on a PDA.

- Software adjustable flash period and duty cycle
- Operates from 32 kHz RTC clock
- Will continue to flash in IDLE and STANDBY states
- 4 mA drive current

Pin Mnemonic	I/O	Pin Description
PD[0]/LEDFLSH (Note)	O	LED flasher driver

Table P. LED Flasher Pin Assignments

Note: Pins are multiplexed. See Table R on page 7 for more information.

Internal Boot ROM

The internal 128 byte Boot ROM facilitates download of saved code to the on-board SRAM/FLASH.

Packaging

The EP7309 is available in a 208-pin LQFP package, 256-ball PBGA package or a 204-ball TFBGA package.

Pin Multiplexing

The following table shows the pin multiplexing of the DAI, SSI2 and the CODEC. The selection between SSI2 and the CODEC is controlled by the state of the SERSEL bit in SYSCON2. The choice between the SSI2, CODEC, and the DAI is controlled by the DAISEL bit in SYSCON3 (see the EP7309 User's Manual for more information).

Pin Mnemonic	I/O	DAI	SSI2	CODEC
SSICLK	I/O	SCLK	SSICLK	PCMCLK
SSITXDA	O	SDOUT	SSITXDA	PCMOUT
SSIRXDA	I	SDIN	SSIRXDA	PCMIN

Table Q. DAI/SSI2/CODEC Pin Multiplexing

Pin Mnemonic	I/O	DAI	SSI2	CODEC
SSITXFR	I/O	LRCK	SSITXFR	PCMSYNC
SSIRXFR	I	MCLKIN	SSIRXFR	p/u
BUZ	O	MCLKOUT		

Table Q. DAI/SSI2/CODEC Pin Multiplexing

The following table shows the pins that have been multiplexed in the EP7309.

Signal	Block	Signal	Block
RUN	System Configuration	CLKEN	System Configuration
nMEDCHG	Interrupt Controller	nBROM	Boot ROM select
PD[0]	GPIO	LEDFLSH	LED Flasher
PE[1:0]	GPIO	BOOTSEL[1:0]	System Configuration
PE[2]	GPIO	CLKSEL	System Configuration

Table R. Pin Multiplexing

System Design

As shown in system block diagram, simply adding desired memory and peripherals to the highly integrated

EP7309 completes a low-power system solution. All necessary interface logic is integrated on-chip.

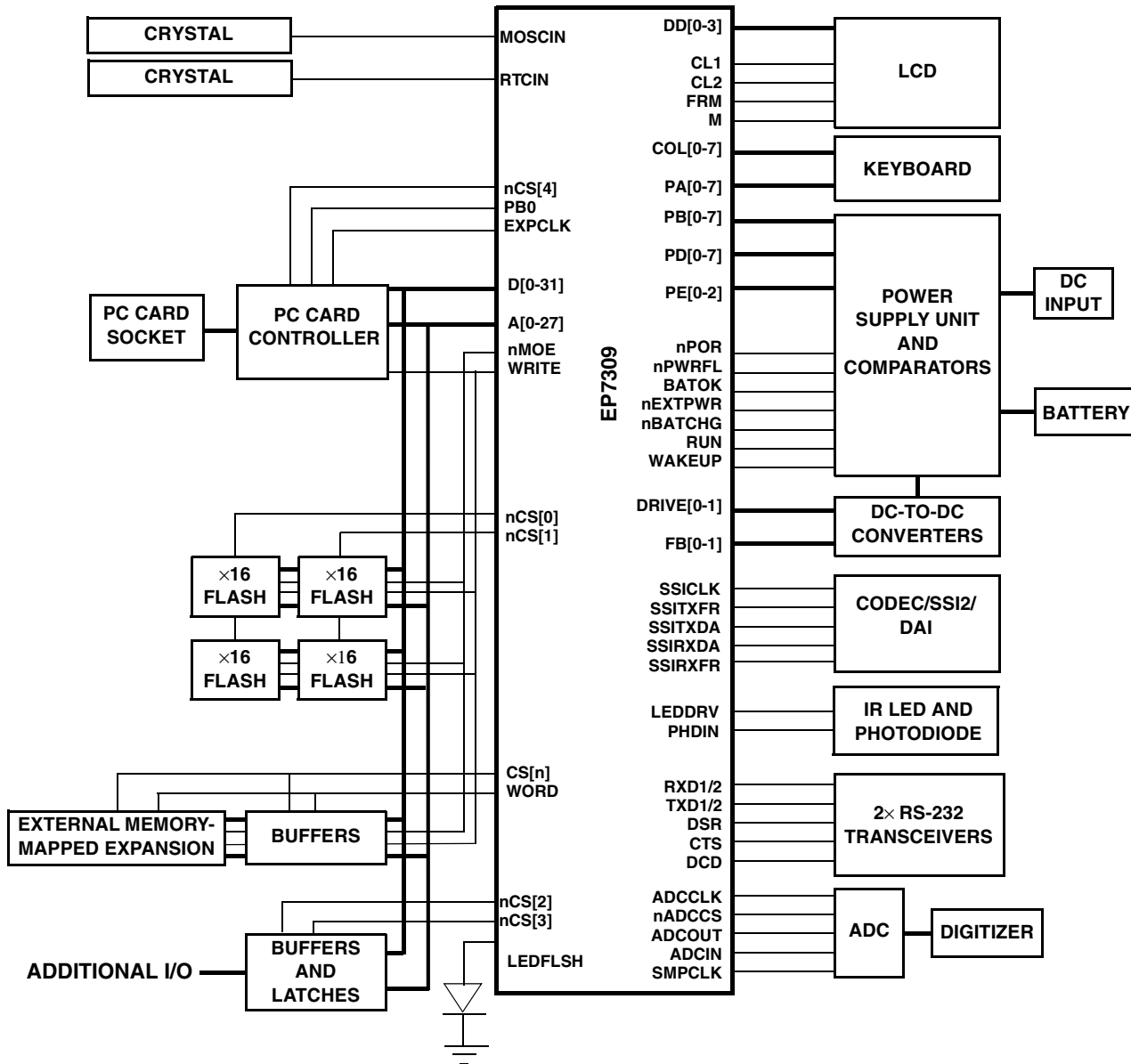


Figure 1. A Maximum EP7309 Based System

Note: A system can only use one of the following peripheral interfaces at any given time: SSI2, CODEC or DAI.

ELECTRICAL SPECIFICATIONS

Absolute Maximum Ratings

DC Core, PLL, and RTC Supply Voltage	2.9 V
DC I/O Supply Voltage (Pad Ring)	3.6 V
DC Pad Input Current	±10 mA/pin; ±100 mA cumulative
Storage Temperature, No Power	-40°C to +125°C

Recommended Operating Conditions

DC core, PLL, and RTC Supply Voltage	2.5 V ± 0.2 V
DC I/O Supply Voltage (Pad Ring)	2.3 V - 3.6 V
DC Input / Output Voltage	O-I/O supply voltage
Operating Temperature	Extended -20°C to +70°C; Commercial 0°C to +70°C; Industrial -40°C to +85°C

DC Characteristics

All characteristics are specified at $V_{DD} = 2.5\text{ V}$ and $V_{SS} = 0\text{ V}$ over an operating temperature of 0°C to +70°C for all frequencies of operation. The current consumption figures relate to typical conditions at 2.5 V, 18.432 MHz operation with the PLL switched “on.”

Symbol	Parameter	Min	Typ	Max	Unit	Conditions
VIH	CMOS input high voltage	$0.65 \times V_{DDIO}$		$V_{DDIO} + 0.3$	V	$V_{DDIO} = 2.5\text{ V}$
VIL	CMOS input low voltage	-0.3		$0.25 \times V_{DDIO}$	V	$V_{DDIO} = 2.5\text{ V}$
VT+	Schmitt trigger positive going threshold	1.6 (Typ)		2.0	V	
VT-	Schmitt trigger negative going threshold	0.8		1.2 (Typ)	V	
Vhst	Schmitt trigger hysteresis	0.1		0.4	V	VIL to VIH
VOH	CMOS output high voltage ^a Output drive 1 ^a Output drive 2 ^a	$V_{DD} - 0.2$ 2.5 2.5			V V V	IOH = 0.1 mA IOH = 4 mA IOH = 12 mA
VOL	CMOS output low voltage ^a Output drive 1 ^a Output drive 2 ^a			0.3 0.5 0.5	V V V	IOL = -0.1 mA IOL = -4 mA IOL = -12 mA
IIN	Input leakage current			1.0	µA	VIN = V_{DD} or GND
IOZ	Bidirectional 3-state leakage current ^{b c}	25		100	µA	VOUT = V_{DD} or GND
CIN	Input capacitance	8		10.0	pF	

Symbol	Parameter	Min	Typ	Max	Unit	Conditions
COUT	Output capacitance	8		10.0	pF	
CI/O	Transceiver capacitance	8		10.0	pF	
IDD _{standby}	Standby current consumption Core, Osc, RTC @2.5 V I/O @ 3.3 V		TBD TBD	300	μA	Only 32 kHz oscillator running, Cache disabled, all other I/O static, V _{IH} = V _{DD} ± 0.1 V, V _{IL} = GND ± 0.1 V
IDD _{idle}	Idle current consumption Core, Osc, RTC @2.5 V I/O @ 2.5 V		TBD TBD	4.2	mA	Both oscillators running, CPU static, Cache disabled, LCD refresh active, V _{IH} = V _{DD} ± 0.1 V, V _{IL} = GND ± 0.1 V At 13 MHz
IDD _{operatin}	Operating current consumption Core, Osc, RTC @2.5 V I/O @ 3.3 V		TBD TBD		mA	All system active, running typical program, cache disabled, and LCD inactive
V _{DD} standby	Standby supply voltage	TBD			V	Minimum standby voltage for state retention and RTC operation only

- a. See [Table S on page 23](#).
- b. Assumes buffer has no pull-up or pull-down resistors.
- c. The leakage value given assumes that the pin is configured as an input pin but is not currently being driven.

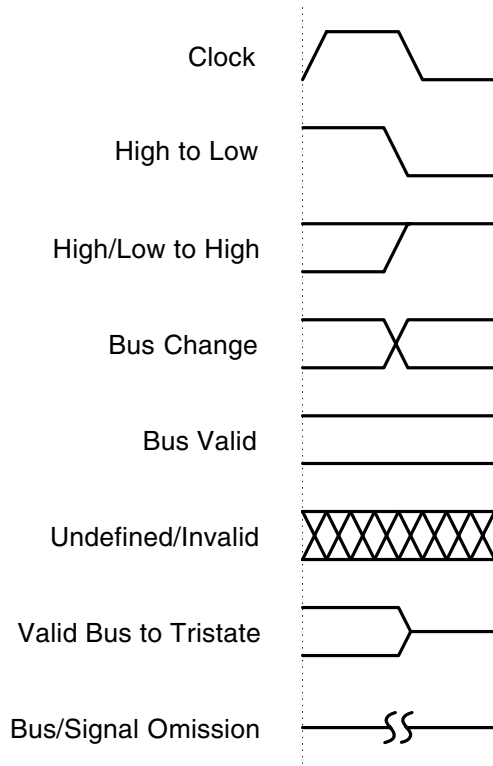
Note:

- 1) All power dissipation values can be derived from taking the particular IDD current and multiplying by 2.5 V.
- 2) The RTC of the EP7309 should be brought up at room temperature. This is required because the RTC OSC will NOT function properly if it is brought up at -40°C. Once operational, it will continue to operate down to -20°C extended and 0°C commercial.
- 3) A typical design will provide 3.3 V to the I/O supply (i.e., V_{DD}I/O), and 2.5 V to the remaining logic. This is to allow the I/O to be compatible with 3.3 V powered external logic.
- 4) Pull-up current = 50 μA typical at V_{DD} = 3.3 V.

Timings

Timing Diagram Conventions

This data sheet contains one or more timing diagrams. The following key explains the components used in these diagrams. Any variations are clearly labelled when they occur. Therefore, no additional meaning should be attached unless specifically stated.



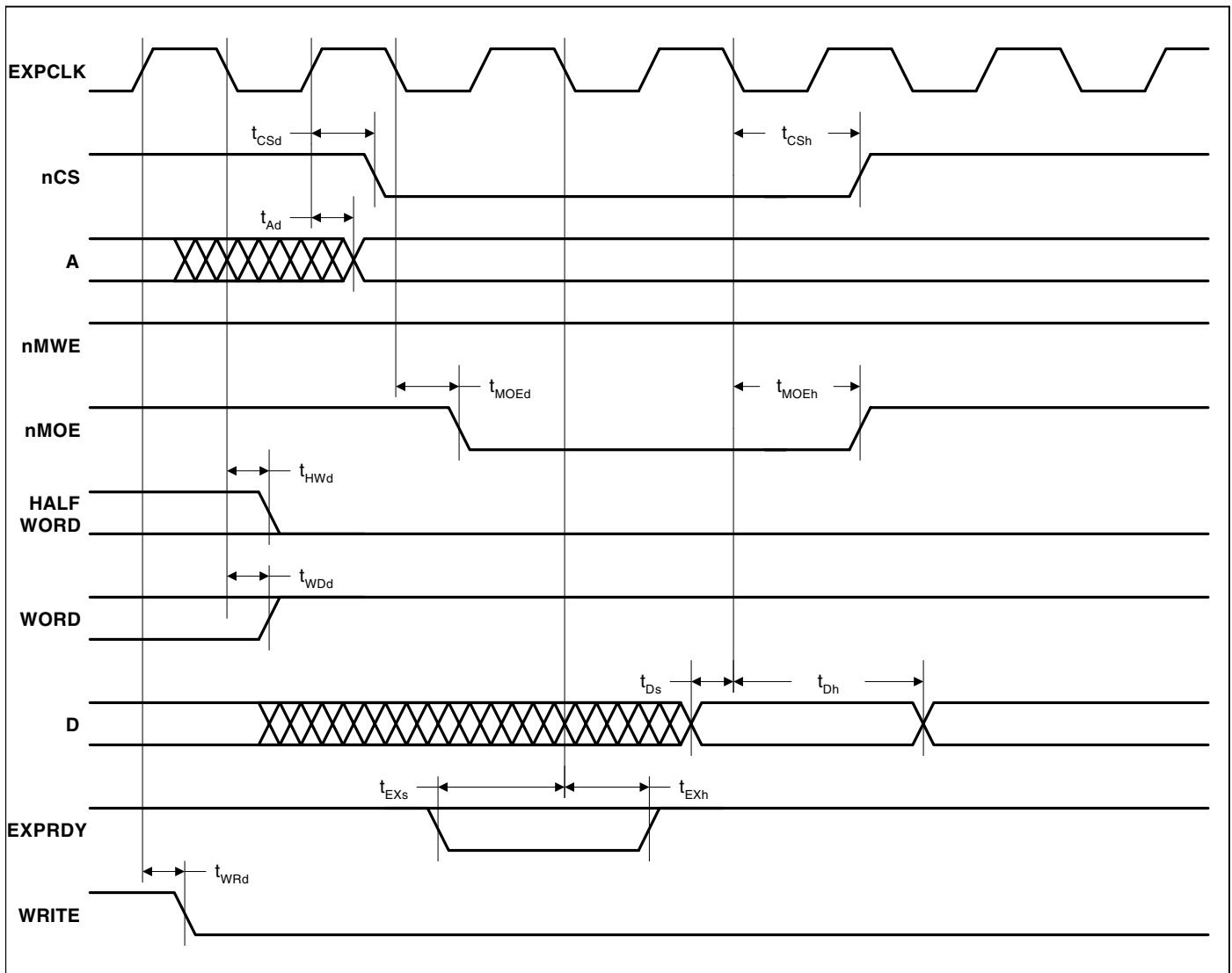
Timing Conditions

Unless specified otherwise, the following conditions are true for all timing measurements. All characteristics are specified at $V_{DD} = 2.3 - 2.7 \text{ V}$ and $V_{SS} = 0 \text{ V}$ over an operating temperature of 0°C to $+70^\circ\text{C}$. Those characteristics marked with a # will be significantly different for 13 MHz mode because the EXPCLK is provided as an input rather than generated internally. These timings are estimated at present. The timing values are referenced to $1/2 V_{DD}$.

Static Memory

Figure 2 through Figure 5 define the timings associated with all phases of the Static Memory. The following table contains the values for the timings of each of the Static Memory modes.

Parameter	Symbol	Min	Typ	Max	Unit
EXPCLK rising edge to nCS assert delay time	t_{CSd}	TBD	8	TBD	ns
EXPCLK falling edge to nCS deassert hold time	t_{CSH}	TBD	4	TBD	ns
EXPCLK rising edge to A assert delay time	t_{Ad}	TBD	4	TBD	ns
EXPCLK falling edge to A deassert hold time	t_{Ah}	TBD	8	TBD	ns
EXPCLK rising edge to nMWE assert delay time	t_{MWd}	TBD	4	TBD	ns
EXPCLK rising edge to nMWE deassert hold time	t_{MWh}	TBD	4	TBD	ns
EXPCLK falling edge to nMOE assert delay time	t_{MOEd}	TBD	4	TBD	ns
EXPCLK falling edge to nMOE deassert hold time	t_{MOEh}	TBD	4	TBD	ns
EXPCLK falling edge to HALFWORD deassert delay time	t_{HWd}	TBD	4	TBD	ns
EXPCLK falling edge to WORD assert delay time	t_{WDd}	TBD	4	TBD	ns
EXPCLK rising edge to data valid delay time	t_{Dv}	TBD	20	TBD	ns
EXPCLK falling edge to data invalid delay time	t_{Dnv}	TBD	8	TBD	ns
Data setup to EXPCLK falling edge time	t_{Ds}	TBD	-	TBD	ns
EXPCLK falling edge to data hold time	t_{Dh}	TBD	-	TBD	ns
EXPCLK rising edge to WRITE assert delay time	t_{WRd}	TBD	8	TBD	ns
EXPREADY setup to EXPCLK falling edge time	t_{EXs}	TBD	-	TBD	ns
EXPCLK falling edge to EXPREADY hold time	t_{EXh}	TBD	-	TBD	ns

Static Memory Single Read Cycle

Figure 2. Static Memory Single Read Cycle Timing Measurement

Note: 1. The cycle time can be extended by integer multiples of the clock period (27 ns at 36 MHz, 54 ns at 18.432 MHz, and 77 ns at 13 MHz), by either driving EXPRDY low and/or by programming a number of wait states. EXPRDY is sampled on the falling edge of EXPCLK before the data transfer. If low at this point, the transfer is delayed by one clock period where EXPRDY is sampled again. EXPCLK need not be referenced when driving EXPRDY, but is shown for clarity.

Static Memory Single Write Cycle

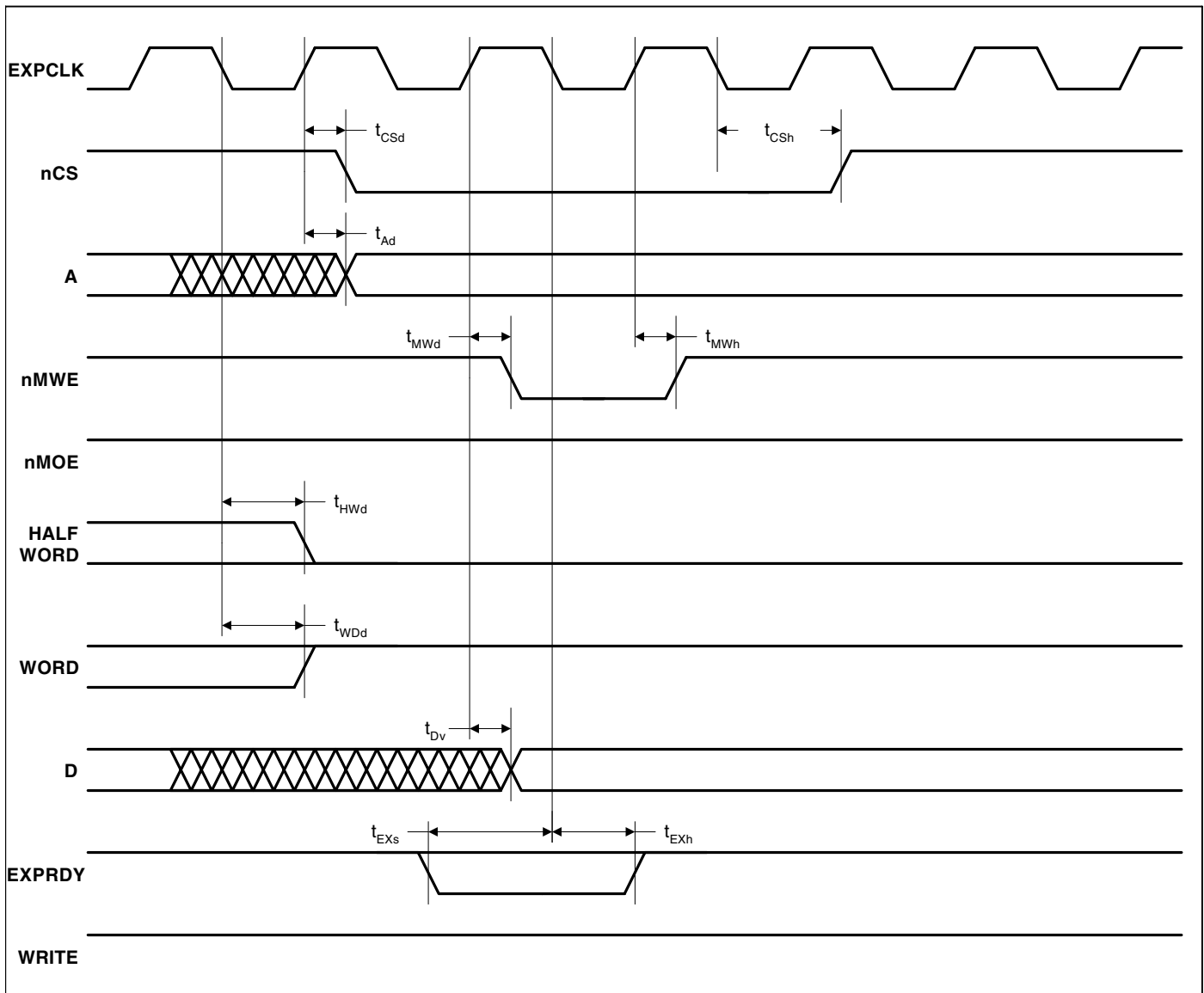
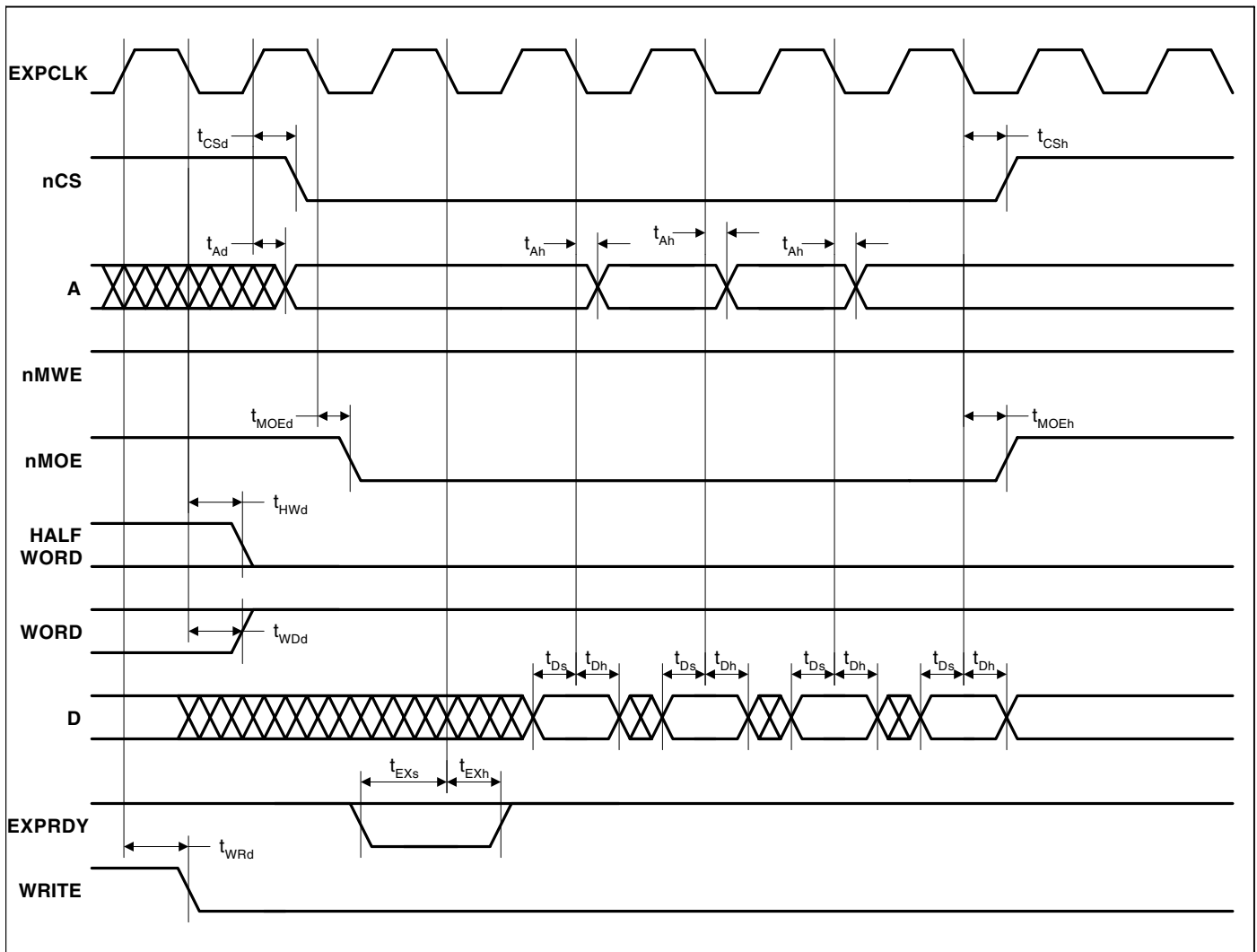


Figure 3. Static Memory Single Write Cycle Timing Measurement

- Note:
1. The cycle time can be extended by integer multiples of the clock period (27 ns at 36 MHz, 54 ns at 18.432 MHz, and 77 ns at 13 MHz), by either driving EXPRDY low and/or by programming a number of wait states. EXPRDY is sampled on the falling edge of EXPCLK before the data transfer. If low at this point, the transfer is delayed by one clock period where EXPRDY is sampled again. EXPCLK need not be referenced when driving EXPRDY, but is shown for clarity.
 2. Zero wait states for sequential writes is not permitted for memory devices which use nMWE pin, as this cannot be driven with valid timing under zero wait state conditions.

Static Memory Burst Read Cycle

Figure 4. Static Memory Burst Read Cycle Timing Measurement

- Note:
- Four cycles are shown in the above diagram (minimum wait states, 1-0-0-0). This is the maximum number of consecutive cycles that can be driven. The number of consecutive cycles can be programmed from 2 to 4, inclusively.
 - The cycle time can be extended by integer multiples of the clock period (27 ns at 36 MHz, 54 ns at 18.432 MHz, and 77 ns at 13 MHz), by either driving EXPRDY low and/or by programming a number of wait states. EXPRDY is sampled on the falling edge of EXPCLK before the data transfer. If low at this point, the transfer is delayed by one clock period where EXPRDY is sampled again. EXPCLK need not be referenced when driving EXPRDY, but is shown for clarity.
 - Consecutive reads with sequential access enabled are identical except that the sequential access wait state field is used to determine the number of wait states, and no idle cycles are inserted between successive non-sequential ROM/expansion cycles. This improves performance so the SQAEN bit should always be set where possible.

Static Memory Burst Write Cycle

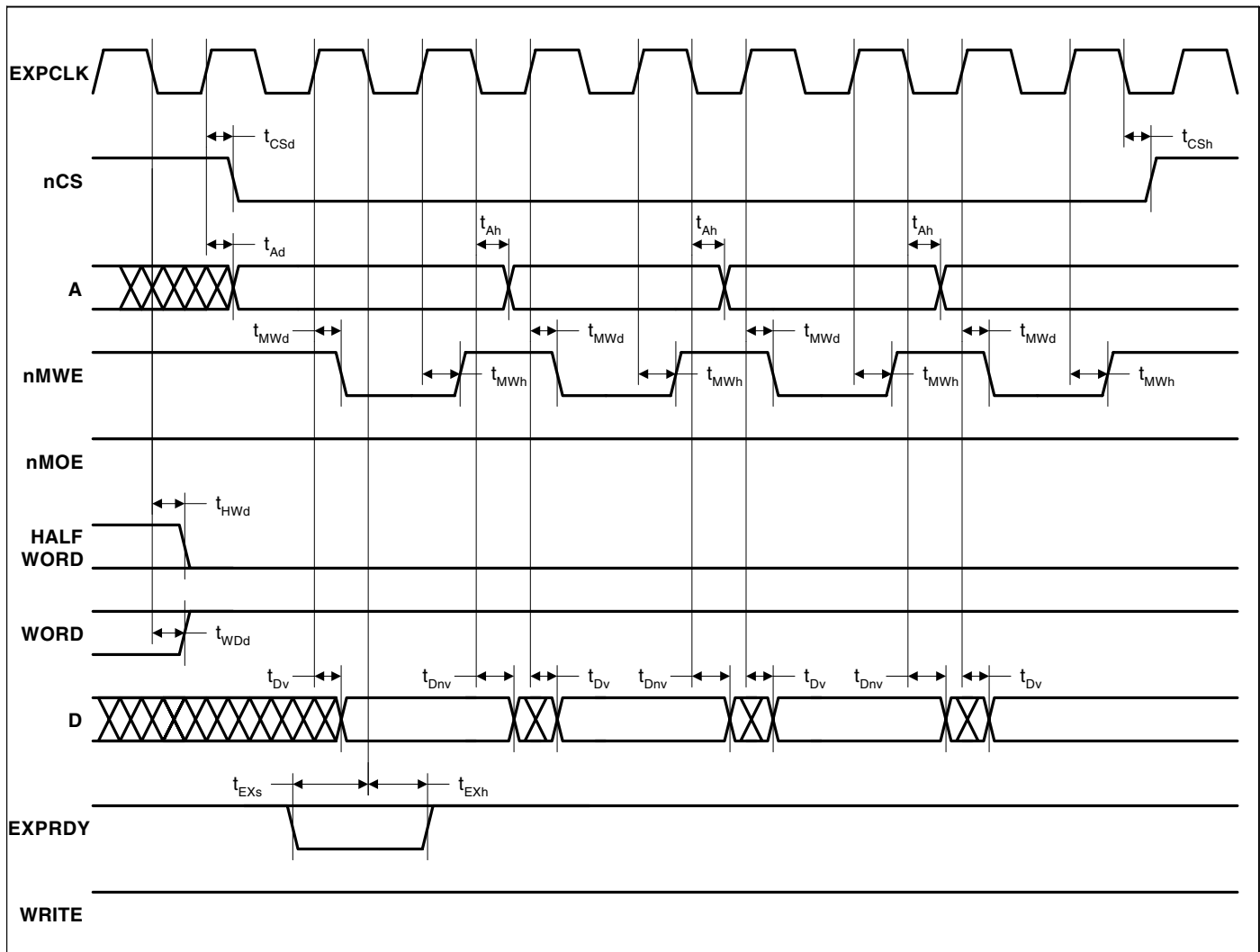
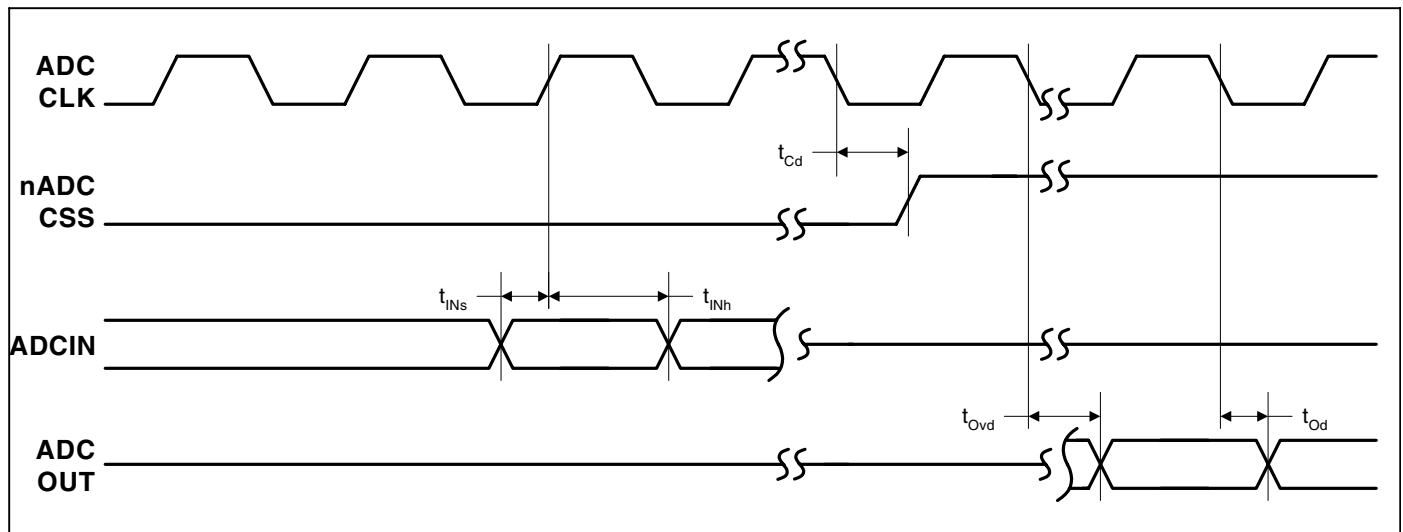


Figure 5. Static Memory Burst Write Cycle Timing Measurement

- Note:
- Four cycles are shown in the above diagram (minimum wait states, 1-1-1-1). This is the maximum number of consecutive cycles that can be driven. The number of consecutive cycles can be programmed from 2 to 4, inclusively.
 - The cycle time can be extended by integer multiples of the clock period (27 ns at 36 MHz, 54 ns at 18.432 MHz, and 77 ns at 13 MHz), by either driving EXPRDY low and/or by programming a number of wait states. EXPRDY is sampled on the falling edge of EXPCLK before the data transfer. If low at this point, the transfer is delayed by one clock period where EXPRDY is sampled again. EXPCLK need not be referenced when driving EXPRDY, but is shown for clarity.
 - Zero wait states for sequential writes is not permitted for memory devices which use nMWE pin, as this cannot be driven with valid timing under zero wait state conditions.

SSI1 Interface

Parameter	Symbol	Min	Max	Unit
ADCCLK falling edge to nADCCSS deassert delay time	t_{Cd}	TBD	TBD	ns
ADCIN data setup to ADCCLK rising edge time	t_{INs}	TBD	TBD	ns
ADCIN data hold from ADCCLK rising edge time	t_{INh}	TBD	TBD	ns
ADCCLK falling edge to data valid delay time	t_{Ovd}	TBD	TBD	ns
ADCCLK falling edge to data invalid delay time	t_{Od}	TBD	TBD	ns


Figure 6. SSI1 Interface Timing Measurement

SSI2 Interface

Parameter	Symbol	Min	Max	Unit
SSICLK period (slave mode)	t_{clk_per}	0	512	ns
SSICLK high time	t_{clk_high}	925	1025	ns
SSICLK low time	t_{clk_low}	925	1025	ns
SSICLK rise/fall time	t_{clkrf}		7	ns
SSICLK rising edge to RX and/or TX frame sync high time	t_{FRd}		528	ns
SSICLK rising edge to RX and/or TX frame sync low time	t_{FRa}		448	ns
SSIRXFR and/or SSITXFR period	t_{FR_per}	750		ns
SSIRXDA setup to SSICLK falling edge time	t_{RXs}	30		ns
SSIRXDA hold from SSICLK falling edge time	t_{RXh}	40		ns
SSICLK rising edge to SSITXDA data valid delay time	t_{TXd}		80	ns
SSITXDA valid time	t_{TXv}			ns

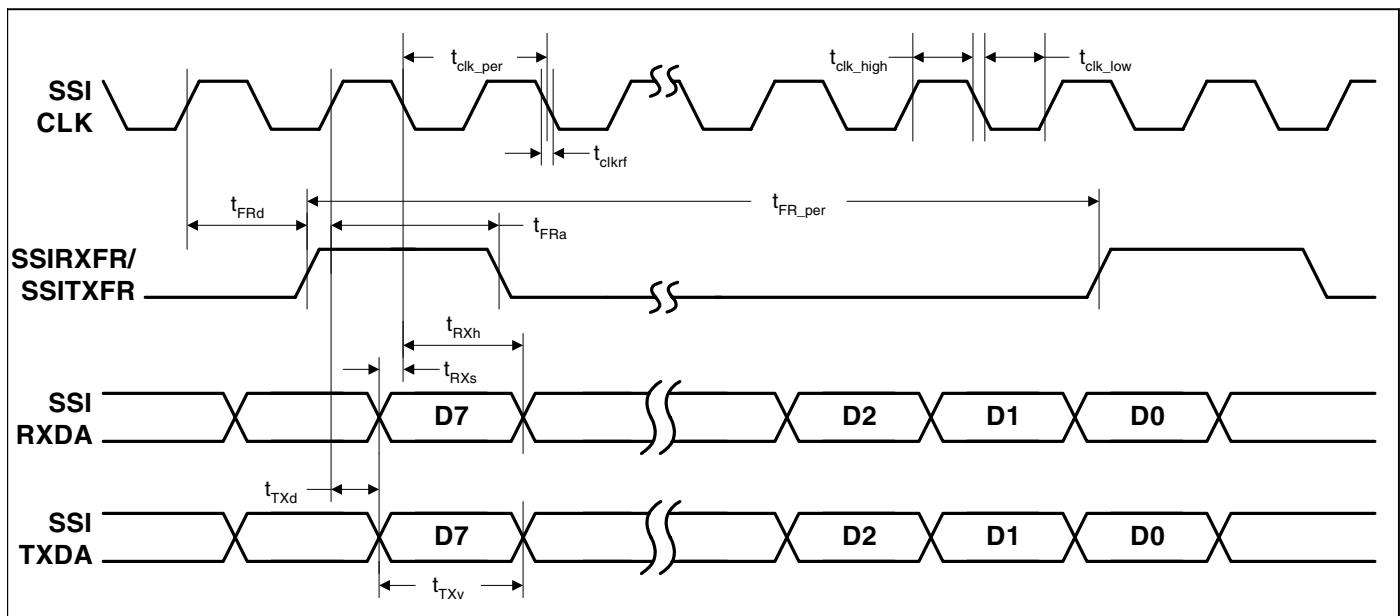


Figure 7. SSI2 Interface Timing Measurement

LCD Interface

Parameter	Symbol	Min	Max	Unit
CL[1] falling to CL[2] falling time	t_{clk}	200	6,950	ns
LCD CL[2] low time	t_{clk_low}	80	3,475	ns
LCD CL[2] high time	t_{clk_high}	80	3,475	ns
CL[2] falling to CL[1] rising delay time	t_{CL1d}	0	25	ns
CL[1] falling to CL[2] rising delay time	t_{CL2d}	80	3,475	ns
LCD CL[1] high time	t_{CL2h}	80	3,475	ns
CL[1] falling to FRM transition time	t_{FRMd}	300	10,425	ns
CL[1] falling to M transition time	t_{Md}	- 10	20	ns
CL[2] rising to DD (display data) transition time	t_{DDd}	- 10	20	ns

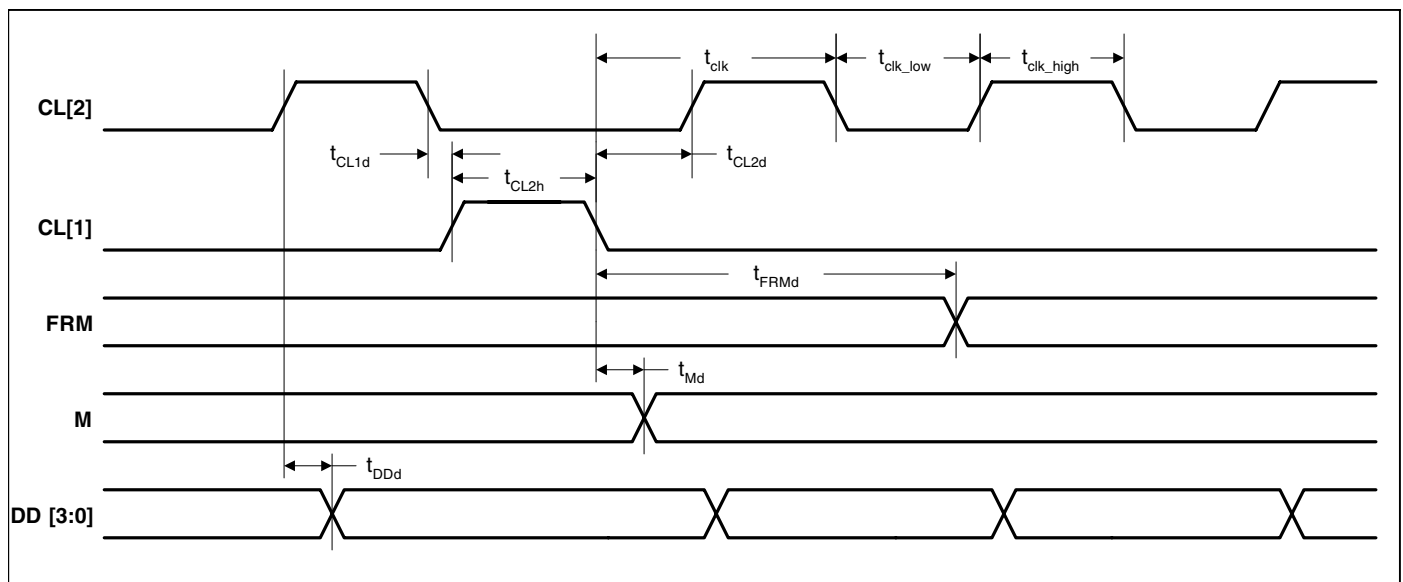


Figure 8. LCD Controller Timing Measurement

JTAG

Parameter	Symbol	Min	Max	Units
TCK clock period	t_{clk_per}	100	-	ns
TCK clock high time	t_{clk_high}	50	-	ns
TCK clock low time	t_{clk_low}	50	-	ns
JTAG port setup time	t_{JPs}	20	-	ns
JTAG port hold time	t_{JPh}	45	-	ns
JTAG port clock to output	t_{JPco}	-	25	ns
JTAG port high impedance to valid output	t_{JPzx}	-	25	ns
JTAG port valid output to high impedance	t_{JPxz}	-	25	ns

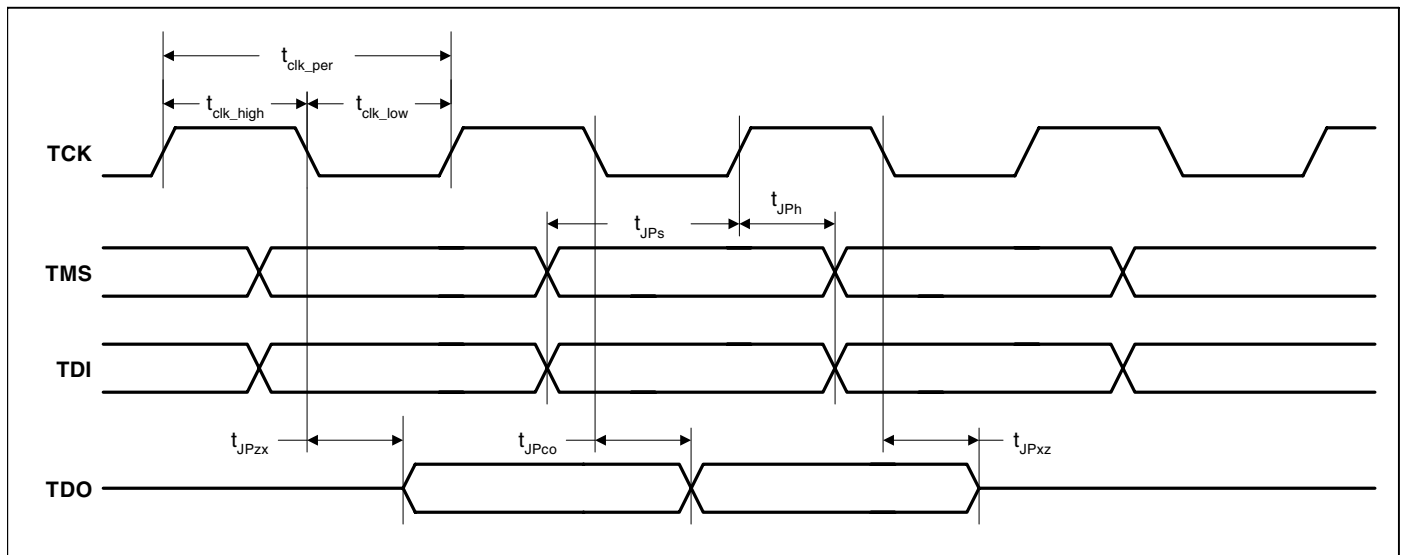


Figure 9. JTAG Timing Measurement

Packages

208-Pin LQFP Package Characteristics

208-Pin LQFP Package Specifications

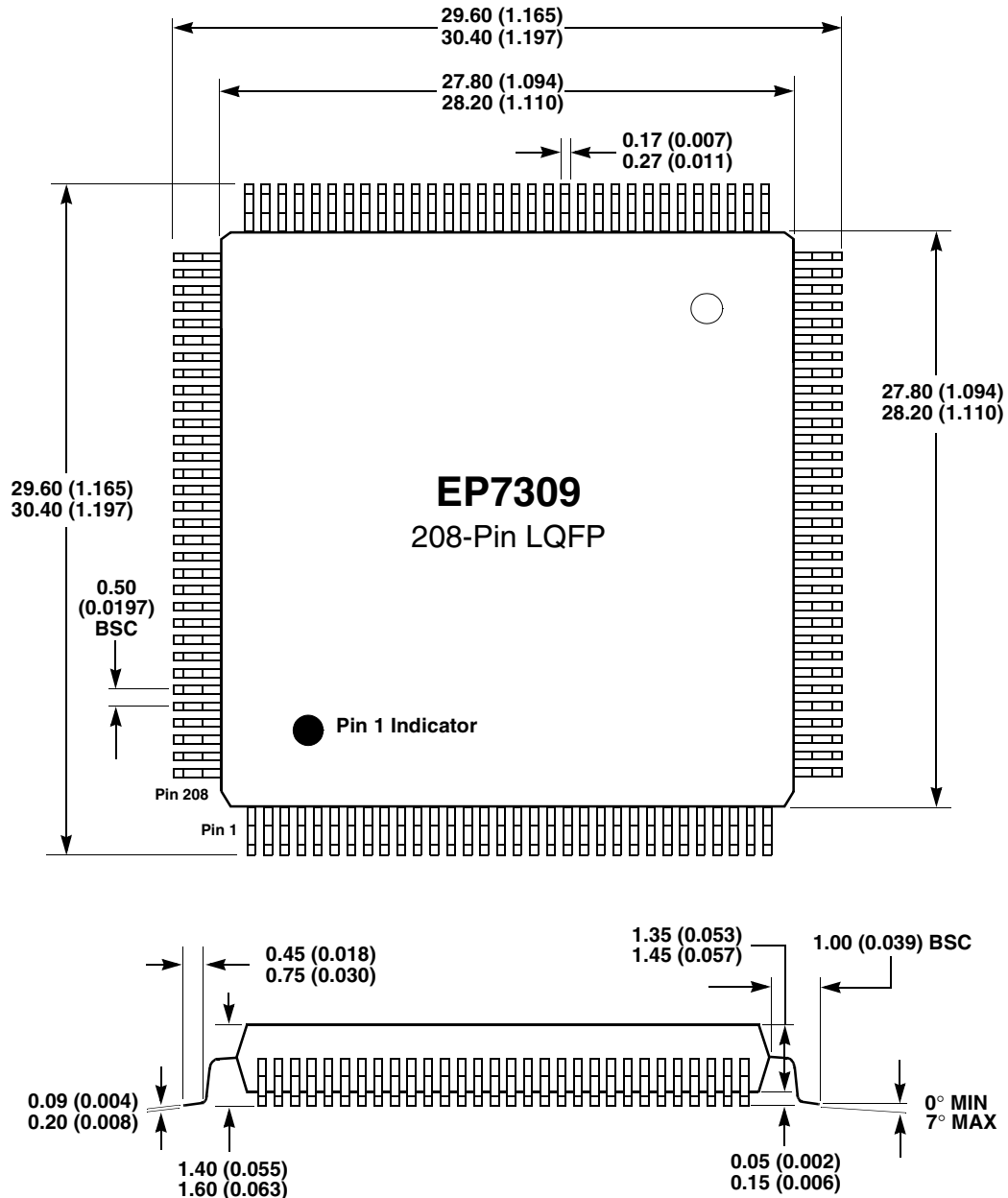


Figure 10. 208-Pin LQFP Package Outline Drawing

- Note:
- 1) Dimensions are in millimeters (inches), and controlling dimension is millimeter.
 - 2) Drawing above does not reflect exact package pin count.
 - 3) Before beginning any new design with this device, please contact Cirrus Logic for the latest package information.
 - 4) For pin locations, please see [Figure 11](#). For pin descriptions see the EP7309 User's Manual.

208-Pin LQFP Pin Diagram

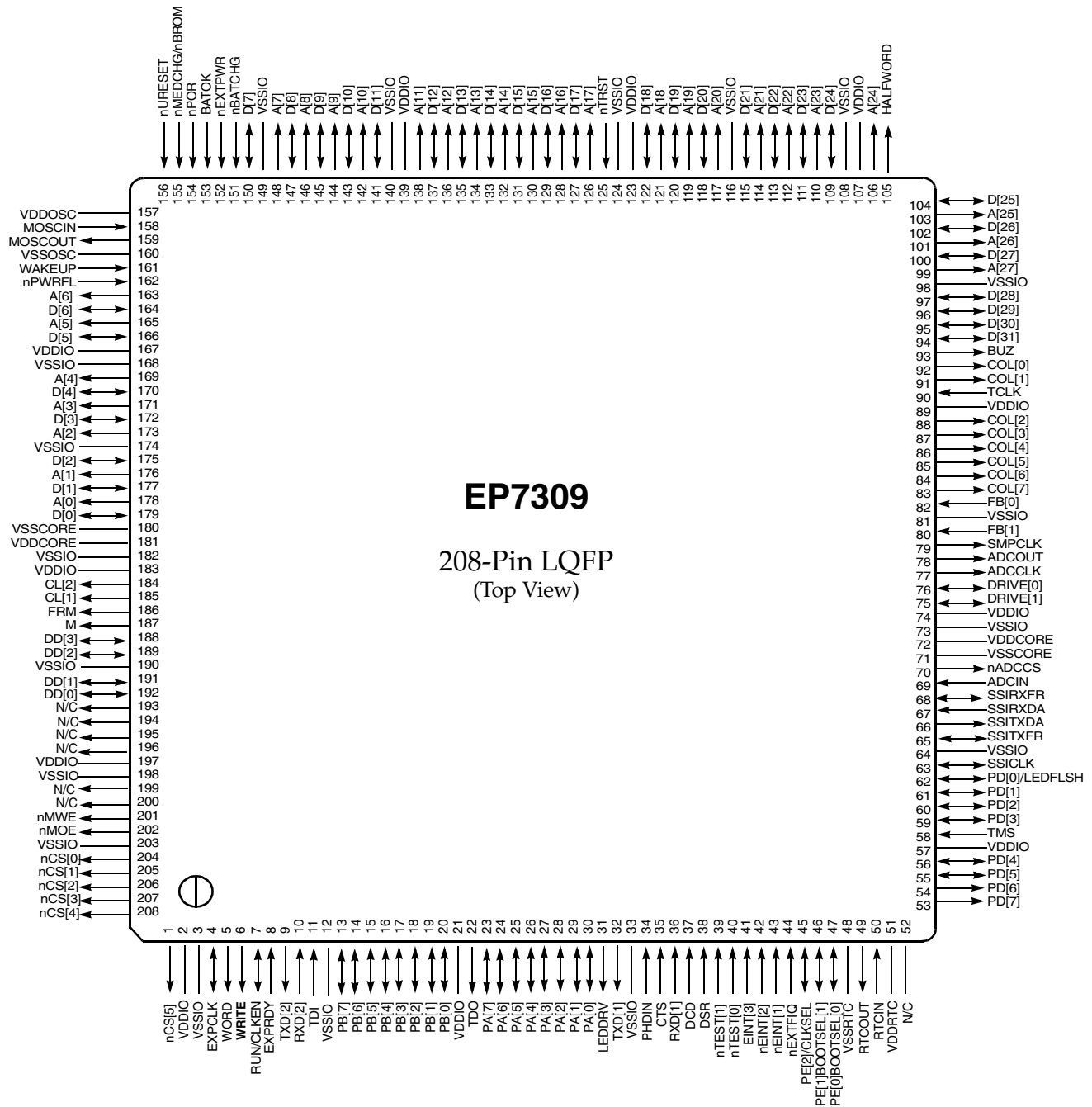


Figure 11. 208-Pin LQFP (Low Profile Quad Flat Pack) Pin Diagram

Note: 1. N/C should not be grounded but left as no connects.
2. Pin differences between the EP7212 and the EP7309 are bolded.

208-Pin LQFP Numeric Pin Listing
Table S. 208-Pin LQFP Numeric Pin Listing

Pin No.	Signal	Type	Strength	Reset State
1	nCS[5]	O	1	High
2	VDDIO	Pad Pwr		
3	VSSIO	Pad Gnd		
4	EXPCLK	I/O	1	
5	WORD	Out	1	Low
6	WRITE	Out	1	Low
7	RUN/CLKEN	O	1	Low
8	EXPRDY	I	1	
9	TXD[2]	O	1	High
10	RXD[2]	I		
11	TDI	I	with p/u*	
12	VSSIO	Pad Gnd		
13	PB[7]	I/O	1	Input
14	PB[6]	I/O	1	Input
15	PB[5]	I/O	1	Input
16	PB[4]	I/O	1	Input
17	PB[3]	I/O	1	Input
18	PB[2]	I/O	1	Input
19	PB[1]/PRDY2	I/O	1	Input
20	PB[0]/PRDY1	I/O	1	Input
21	VDDIO	Pad Pwr		
22	TDO	O	1	Three state
23	PA[7]	I/O	1	Input
24	PA[6]	I/O	1	Input
25	PA[5]	I/O	1	Input
26	PA[4]	I/O	1	Input
27	PA[3]	I/O	1	Input
28	PA[2]	I/O	1	Input
29	PA[1]	I/O	1	Input
30	PA[0]	I/O	1	Input
31	LEDDRV	O	1	Low
32	TXD[1]	O	1	High
33	VSSIO	Pad Gnd	1	High
34	PHDIN	I		
35	CTS	I		
36	RXD[1]	I		
37	DCD	I		

Table S. 208-Pin LQFP Numeric Pin Listing (Continued)

Pin No.	Signal	Type	Strength	Reset State
38	DSR	I		
39	nTEST[1]	I	With p/u*	
40	nTEST[0]	I	With p/u*	
41	EINT[3]	I		
42	nEINT[2]	I		
43	nEINT[1]	I		
44	nEXTFIQ	I		
45	PE[2]/CLKSEL	I/O	1	Input
46	PE[1]/BOOTSEL[1]	I/O	1	Input
47	PE[0]/BOOTSEL[0]	I/O	1	Input
48	VSSRTC	RTC Gnd		
49	RTCCOUT	O		
50	RTCCIN	I		
51	VDDRTC	RTC power		
52	N/C			
53	PD[7]	I/O	1	Low
54	PD[6]	I/O	1	Low
55	PD[5]	I/O	1	Low
56	PD[4]	I/O	1	Low
57	VDDIO	Pad Pwr		
58	TMS	I	with p/u*	
59	PD[3]	I/O	1	Low
60	PD[2]	I/O	1	Low
61	PD[1]	I/O	1	Low
62	PD[0]/LEDFLSH	I/O	1	Low
63	SSICLK	I/O	1	Input
64	VSSIO	Pad Gnd		
65	SSITXFR	I/O	1	Low
66	SSITXDA	O	1	Low
67	SSIRXDA	I		
68	SSIRXFR	I/O		Input
69	ADCIN	I		
70	nADCCS	O	1	High
71	VSSCORE	Core Gnd		
72	VDDCORE	Core Pwr		
73	VSSIO	Pad Gnd		

Table S. 208-Pin LQFP Numeric Pin Listing (Continued)

Pin No.	Signal	Type	Strength	Reset State
74	VDDIO	Pad Pwr		
75	DRIVE[1]	I/O	2	High / Low
76	DRIVE[0]	I/O	2	High / Low
77	ADCCLK	O	1	Low
78	ADCOUT	O	1	Low
79	SMPCLK	O	1	Low
80	FB[1]	I		
81	VSSIO	Pad Gnd		
82	FB[0]	I		
83	COL[7]	O	1	High
84	COL[6]	O	1	High
85	COL[5]	O	1	High
86	COL[4]	O	1	High
87	COL[3]	O	1	High
88	COL[2]	O	1	High
89	VDDIO	Pad Pwr		
90	TCLK	I		
91	COL[1]	O	1	High
92	COL[0]	O	1	High
93	BUZ	O	1	Low
94	D[31]	I/O	1	Low
95	D[30]	I/O	1	Low
96	D[29]	I/O	1	Low
97	D[28]	I/O	1	Low
98	VSSIO	Pad Gnd		
99	A[27]	O	2	Low
100	D[27]	I/O	1	Low
101	A[26]	O	2	Low
102	D[26]	I/O	1	Low
103	A[25]	O	2	Low
104	D[25]	I/O	1	Low
105	HALFWORD	O	1	Low
106	A[24]	O	1	Low
107	VDDIO	Pad Pwr		—
108	VSSIO	Pad Gnd		—
109	D[24]	I/O	1	Low
110	A[23]	O	1	Low

Table S. 208-Pin LQFP Numeric Pin Listing (Continued)

Pin No.	Signal	Type	Strength	Reset State
111	D[23]	I/O	1	Low
112	A[22]	O	1	Low
113	D[22]	I/O	1	Low
114	A[21]	O	1	Low
115	D[21]	I/O	1	Low
116	VSSIO	Pad Gnd		
117	A[20]	O	1	Low
118	D[20]	I/O	1	Low
119	A[19]	O	1	Low
120	D[19]	I/O	1	Low
121	A[18]	O	1	Low
122	D[18]	I/O	1	Low
123	VDDIO	Pad Pwr		
124	VSSIO	Pad Gnd		
125	nTRST	I		
126	A[17]	O	1	Low
127	D[17]	I/O	1	Low
128	A[16]	O	1	Low
129	D[16]	I/O	1	Low
130	A[15]	O	1	Low
131	D[15]	I/O	1	Low
132	A[14]	O	1	Low
133	D[14]	I/O	1	Low
134	A[13]	O	1	Low
135	D[13]	I/O	1	Low
136	A[12]	O	1	Low
137	D[12]	I/O	1	Low
138	A[11]	O	1	Low
139	VDDIO	Pad Pwr		
140	VSSIO	Pad Gnd		
141	D[11]	I/O	1	Low
142	A[10]	O	1	Low
143	D[10]	I/O	1	Low
144	A[9]	O	1	Low
145	D[9]	I/O	1	Low
146	A[8]	O	1	Low
147	D[8]	I/O	1	Low
148	A[7]	O	1	Low

Table S. 208-Pin LQFP Numeric Pin Listing (Continued)

Pin No.	Signal	Type	Strength	Reset State
149	VSSIO	Pad Gnd		
150	D[7]	I/O	1	Low
151	nBATCHG	I		
152	nEXTPWR	I		
153	BATOK	I		
154	nPOR	I	Schmitt	
155	nMEDCHG/ nBROM	I		
156	nRESET	I	Schmitt	
157	VDDOSC	Osc Pwr		
158	MOSCIN	Osc		
159	MOSCOUT	Osc		
160	VSSOSC	Osc Gnd		
161	WAKEUP	I	Schmitt	
162	nPWRFL	I		
163	A[6]	O	1	Low
164	D[6]	I/O	1	Low
165	A[5]	Out	1	Low
166	D[5]	I/O	1	Low
167	VDDIO	Pad Pwr		
168	VSSIO	Pad Gnd		
169	A[4]	O	1	Low
170	D[4]	I/O	1	Low
171	A[3]	O	2	Low
172	D[3]	I/O	1	Low
173	A[2]	O	2	Low
174	VSSIO	Pad Gnd		
175	D[2]	I/O	1	Low
176	A[1]	O	2	Low
177	D[1]	I/O	1	Low
178	A[0]	O	2	Low
179	D[0]	I/O	1	Low
180	VSS CORE	Core Gnd		
181	VDD CORE	Core Pwr		
182	VSSIO	Pad Gnd		
183	VDDIO	Pad Pwr		
184	CL[2]	O	1	Low
185	CL[1]	O	1	Low
186	FRM	O	1	Low

Table S. 208-Pin LQFP Numeric Pin Listing (Continued)

Pin No.	Signal	Type	Strength	Reset State
187	M	O	1	Low
188	DD[3]	I/O	1	Low
189	DD[2]	I/O	1	Low
190	VSSIO	Pad Gnd		
191	DD[1]	I/O	1	Low
192	DD[0]	I/O	1	Low
193	N/C	O	1	High
194	N/C	O	1	High
195	N/C	I/O	2	Low
196	N/C	I/O	2	Low
197	VDDIO	Pad Pwr		
198	VSSIO	Pad Gnd		
199	N/C	I/O	2	Low
200	N/C	I/O	2	Low
201	nMWE	O	1	High
202	nMOE	O	1	High
203	VSSIO	Pad Gnd		
204	nCS[0]	O	1	High
205	nCS[1]	O	1	High
206	nCS[2]	O	1	High
207	nCS[3]	O	1	High
208	nCS[4]	O	1	High

*With p/u' means with internal pull-up on the pin.

204-Ball TFBGA Package Characteristics

204-Ball TFBGA Package Specifications

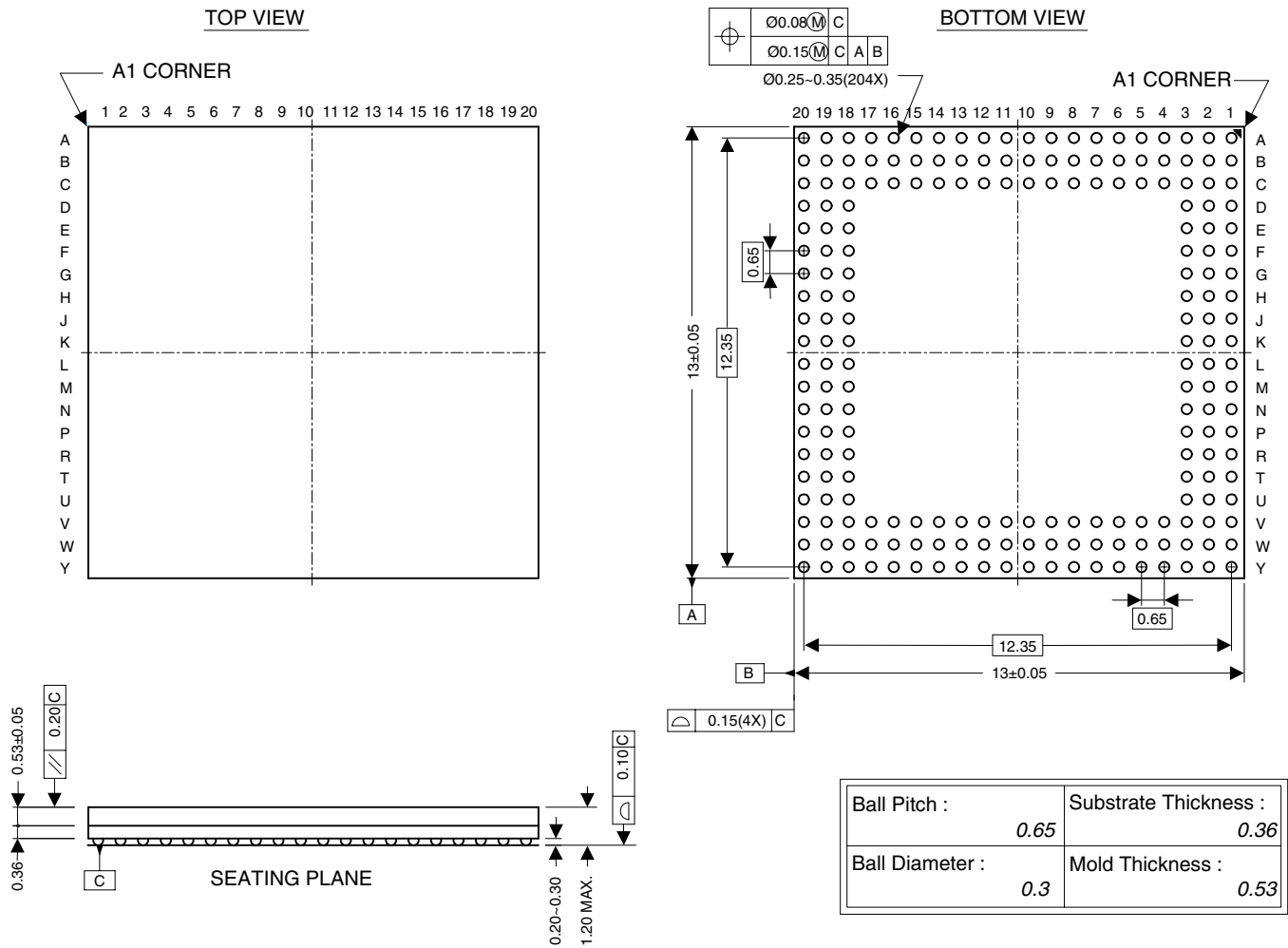


Figure 12. 204-Ball TFBGA Package

204-Ball TFBGA Pinout (Top View)

	1	2	3	4	5	6	7	8	9	10	11	12	13	14	15	16	17	18	19	20	
A	VDDR	EXPCLK	nCS3	nCS1	nMWE	N/C	N/C	DD2	FRM	CL1	GNDD	D1	A2	D4	A5	nPWRFL	MOSCOUT	GNDR	GNDR	GNDR	A
B	WORD	VDDR	nCS5	nCS2	nMOE	N/C	N/C	DD1	M	CL2	D0	A1	D3	A4	D6	WAKEUP	MOSCIN	GNDR	GNDR	nRESET	B
C	RUN/ CLKEN	EXPRDY	VDDR	nCS4	nCS0	N/C	N/C	DD0	DD3	VDDD	A0	D2	A3	D5	A6	GND0	VDD0	GNDR	BATOK	nPOR	C
D	PB7	RXD2	VDDR															GNDR	nBATCHG	A7	D
E	PB4	TXD2	WRITE															nMEDCHG /nBROM	nEXTPWR	D9	E
F	PB3	PB6	TDI															D7	A8	D10	F
G	PB1	PB2	PB5															D8	A9	D11	G
H	PA7	TDO	PB0															A10	D12	A12	H
J	PA4	PA5	PA6															A11	D13	A13	J
K	PA1	PA2	VDDR															D14	A14	D15	K
L	TXD1	LEDDRV	PA3															VDDR	D16	A16	L
M	RXD1	CTS	PA0															A15	A17	nTRST	M
N	DSR	nTEST1	PHDIN															D17	D19	A18	N
P	EINT3	nEINT2	DCD															D18	A20	D20	P
R	nEXTFIQ	PE2/ CLKSEL	nTEST0															A19	D22	A21	R
T	PE1/ BOOT SEL1	PE0/ BOOT SEL0	nEINT1															D21	D23	A22	T
U	GNDC	RTCOUT	RTCIN															HALF WORD	D24	A23	U
V	VDDC	GNDR	GNDR	PD7	PD4	PD2	SSICLK	SSIRXDA	nADCCS	VDDR	ADCCLK	COL7	COL4	TCLK	BUZ	D29	A26	VDDR	VDDR	A24	V
W	GNDR	GNDR	GNDR	PD6	TMS	PD1	SSITXFR	SSIRXFR	GNDD1	DRIVE1	ADCOUT	FB0	COL5	COL2	COL0	D30	A27	D26	VDDR	D25	W
Y	GNDR	GNDR	GNDR	PD5	PD3	PD0/ LED FLSH	SSITXDA	ADCIN	VDD1	DRIVE0	SMPCLK	FB1	COL6	COL3	COL1	D31	D28	D27	A25	VDDR	Y

TFBGA Ball List

Table T. 204-Ball TFBGA Ball List

Die Pad	Bond Pad	Package Ball	Signal
U2.1	1	B3	nCS5
U2.2	2	Y20	VDDR
U2.3	3	B18	GNDR
U2.4	4	A2	EXPCLK
U2.5	5	B1	WORD
U2.6	6	E3	WRITE
U2.7	7	C1	RUN/CLKEN
U2.8	8	C2	EXPRDY
U2.9	9	E2	TXD2
U2.10	10	D2	RXD2
U2.11	11	F3	TDI
U2.12	12	B18	GNDR
U2.13	13	D1	PB7
U2.14	14	F2	PB6
U2.15	15	G3	PB5
U2.16	16	E1	PB4
U2.17	17	F1	PB3
U2.18	18	G2	PB2
U2.19	19	G1	PB1
U2.20	20	H3	PB0
U2.21	21	Y20	VDDR
U2.22	22	H2	TDO
U2.23	23	H1	PA7
U2.24	24	J3	PA6
U2.25	25	J2	PA5
U2.26	26	J1	PA4
U2.27	27	L3	PA3
U2.28	28	K2	PA2
U2.29	29	K1	PA1
U2.30	30	M3	PA0
U2.31	31	L2	LEDDRV
U2.32	32	L1	TXD1
U2.33	33	B18	GNDR
U2.34	34	N3	PHDIN
U2.35	35	M2	CTS
U2.36	36	M1	RXD1
U2.37	37	P3	DCD

Table T. 204-Ball TFBGA Ball List (Continued)

Die Pad	Bond Pad	Package Ball	Signal
U2.38	38	N1	DSR
U2.39	39	N2	nTEST1
U2.40	40	R3	nTEST0
U2.41	41	P1	EINT3
U2.42	42	P2	nEINT2
U2.43	43	T3	nEINT1
U2.44	44	R1	nEXTFIQ
U2.45	45	R2	PE2/CLKSEL
U2.46	46	T1	PE1/BOOTSEL1
U2.47	47	T2	PE0/BOOTSEL0
U2.48	48	U1	GNDC
U2.49	49	U2	RTCOUT
U2.50	50	U3	RTCIN
U2.51	51	V1	VDDC
U2.53	52	V4	PD7
U2.54	53	W4	PD6
U2.55	54	Y4	PD5
U2.56	55	V5	PD4
U2.57	56	L18	VDDR
U2.58	57	W5	TMS
U2.59	58	Y5	PD3
U2.60	59	V6	PD2
U2.61	60	W6	PD1
U2.62	61	Y6	PD0/LEDFLSH
U2.63	62	V7	SSICLK
U2.64	63	D18	GNDR
U2.65	64	W7	SSITXFR
U2.66	65	Y7	SSITXDA
U2.67	66	V8	SSIRXDA
U2.68	67	W8	SSIRXFR
U2.69	68	Y8	ADCIN
U2.70	69	V9	nADCCS
U2.71	70	W9	GNDD1
U2.72	71	Y9	VDD1
U2.73	72	W3	GNDR
U2.74	73	V10	VDDR
U2.75	74	L18	VDDR
U2.76	75	W10	DRIVE1

Table T. 204-Ball TFBGA Ball List (Continued)

Die Pad	Bond Pad	Package Ball	Signal
U2.77	76	Y10	DRIVE0
U2.78	77	V11	ADCCLK
U2.79	78	W11	ADCOUT
U2.80	79	Y11	SMPCLK
U2.81	80	Y12	FB1
U2.82	81	Y3	GNDR
U2.83	82	W12	FB0
U2.84	83	V12	COL7
U2.85	84	Y13	COL6
U2.86	85	W13	COL5
U2.87	86	V13	COL4
U2.88	87	Y14	COL3
U2.89	88	W14	COL2
U2.90	89	A1	VDDR
U2.91	90	V14	TCLK
U2.92	91	Y15	COL1
U2.93	92	W15	COL0
U2.94	93	V15	BUZ
U2.95	94	Y16	D31
U2.96	95	W16	D30
U2.97	96	V16	D29
U2.98	97	Y17	D28
U2.99	98	Y3	GNDR
U2.100	99	W17	A27
U2.101	100	Y18	D27
U2.102	101	V17	A26
U2.103	102	W18	D26
U2.104	103	Y19	A25
U2.105	104	W20	D25
U2.106	105	U18	HALFWORD
U2.107	106	V20	A24
U2.108	107	A1	VDDR
U2.109	108	Y3	GNDR
U2.110	109	U19	D24
U2.111	110	U20	A23
U2.112	111	T19	D23
U2.113	112	T20	A22
U2.114	113	R19	D22
U2.115	114	R20	A21

Table T. 204-Ball TFBGA Ball List (Continued)

Die Pad	Bond Pad	Package Ball	Signal
U2.116	115	T18	D21
U2.117	116	Y3	GNDR
U2.118	117	P19	A20
U2.119	118	P20	D20
U2.120	119	R18	A19
U2.121	120	N19	D19
U2.122	121	N20	A18
U2.123	122	P18	D18
U2.124	123	A1	VDDR
U2.125	124	Y3	GNDR
U2.126	125	M20	nTRST
U2.127	126	M19	A17
U2.128	127	N18	D17
U2.129	128	L20	A16
U2.130	129	L19	D16
U2.131	130	M18	A15
U2.132	131	K20	D15
U2.133	132	K19	A14
U2.134	133	K18	D14
U2.135	134	J20	A13
U2.136	135	J19	D13
U2.137	136	H20	A12
U2.138	137	H19	D12
U2.139	138	J18	A11
U2.140	139	K3	VDDR
U2.141	140	Y3	GNDR
U2.142	141	G20	D11
U2.143	142	H18	A10
U2.144	143	F20	D10
U2.145	144	G19	A9
U2.146	145	E20	D9
U2.147	146	F19	A8
U2.148	147	G18	D8
U2.149	148	D20	A7
U2.150	149	Y3	GNDR
U2.151	150	F18	D7
U2.152	151	D19	nBATCHG
U2.153	152	E19	nEXTPWR
U2.154	153	C19	BATOK

Table T. 204-Ball TFBGA Ball List (Continued)

Die Pad	Bond Pad	Package Ball	Signal
U2.155	154	C20	nPOR
U2.156	155	E18	nMEDCHG/nBROM
U2.157	156	B20	nURESET
U2.158	157	C17	VDDO
U2.159	158	B17	MOSCIN
U2.160	159	A17	MOSCOU
U2.161	160	C16	GNDO
U2.162	161	B16	WAKEUP
U2.163	162	A16	nPWRFL
U2.164	163	C15	A6
U2.165	164	B15	D6
U2.166	165	A15	A5
U2.167	166	C14	D5
U2.168	167	A1	VDDR
U2.169	168	Y3	GNDR
U2.170	169	B14	A4
U2.171	170	A14	D4
U2.172	171	C13	A3
U2.173	172	B13	D3
U2.174	173	A13	A2
U2.175	174	Y3	GNDR
U2.176	175	C12	D2
U2.177	176	B12	A1
U2.178	177	A12	D1
U2.179	178	C11	A0
U2.180	179	B11	D0
U2.181	180	A11	GNDD
U2.182	181	C10	VDDD
U2.183	182	Y3	GNDR
U2.184	183	Y20	VDDR
U2.185	184	B10	CL2
U2.186	185	A10	CL1
U2.187	186	A9	FRM
U2.188	187	B9	M
U2.189	188	C9	DD3
U2.190	189	A8	DD2
U2.191	190	Y3	GNDR
U2.192	191	B8	DD1
U2.193	192	C8	DD0

Table T. 204-Ball TFBGA Ball List (Continued)

Die Pad	Bond Pad	Package Ball	Signal
U2.194	193	A7	N/C
U2.195	194	B7	N/C
U2.196	195	C7	N/C
U2.197	196	A6	N/C
U2.198	197	V18	VDDR
U2.199	198	B18	GNDR
U2.200	199	B6	N/C
U2.201	200	C6	N/C
U2.202	201	A5	nMWE
U2.203	202	B5	nMOE
U2.204	203	B18	GNDR
U2.205	204	C5	nCS0
U2.206	205	A4	nCS1
U2.207	206	B4	nCS2
U2.208	207	A3	nCS3
U2.209	208	C4	nCS4
		A1	VDDR
		B2	VDDR
		C3	VDDR
		D3	VDDR
		K3	VDDR
		L18	VDDR
		V18	VDDR
		V19	VDDR
		W19	VDDR
		Y20	VDDR
		A18	GNDR
		A19	GNDR
		A20	GNDR
		B18	GNDR
		B19	GNDR
		C18	GNDR
		D18	GNDR
		V2	GNDR
		V3	GNDR
		W1	GNDR
		W2	GNDR
		W3	GNDR

Table T. 204-Ball TFBGA Ball List (Continued)

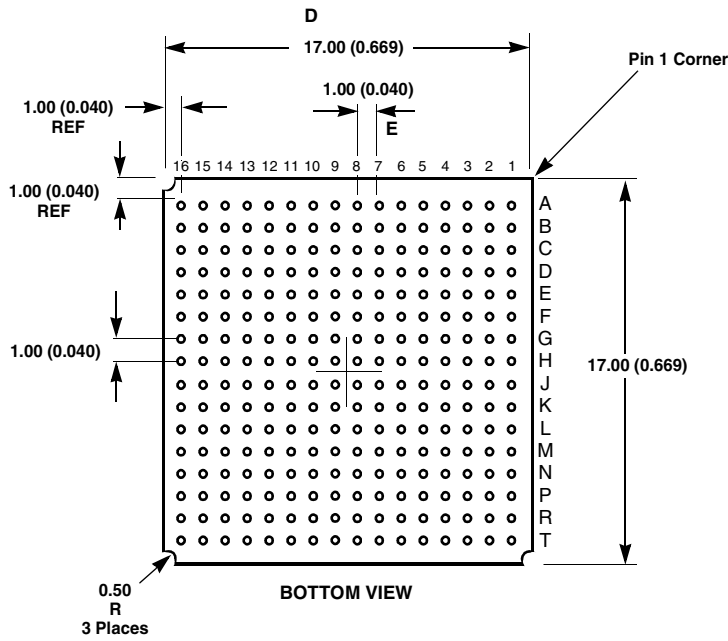
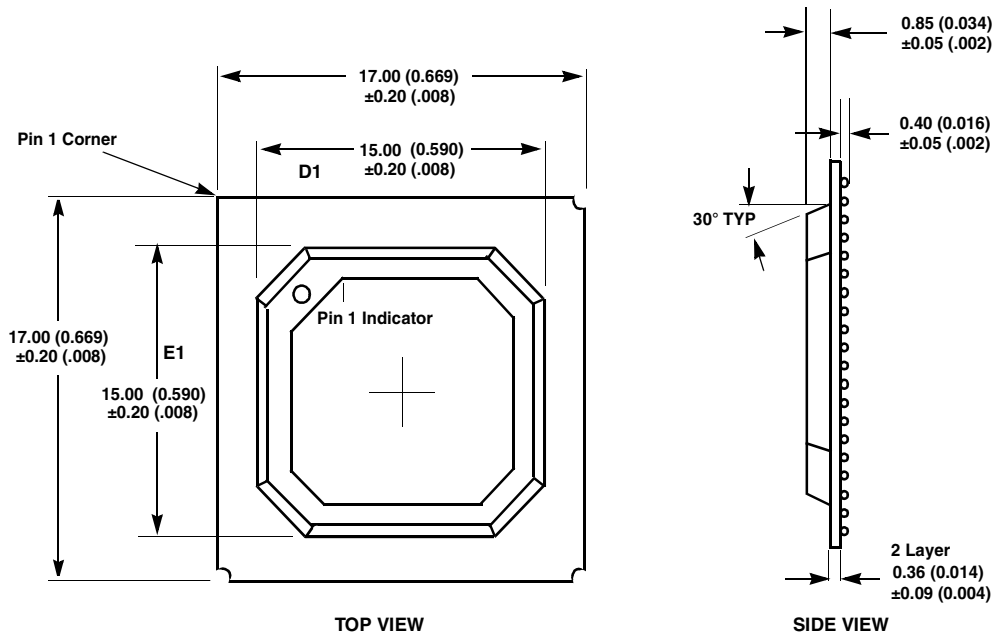
Die Pad	Bond Pad	Package Ball	Signal
		Y1	GNDR
		Y2	GNDR
		Y3	GNDR

256-Ball PBGA Package Characteristics

256-Ball PBGA Package Specifications

Figure 13. 256-Ball PBGA Package

- Note:
- 1) For pin locations see [Table U](#).
 - 2) Dimensions are in millimeters (inches), and controlling dimension is millimeter
 - 3) Before beginning any new EP7309 design, contact Cirrus Logic for the latest package information.



JEDEC #: MO-151
Ball Diameter: 0.50 mm ± 0.10 mm
17 ¥ 17 ¥ 1.61 mm body

256-Ball PBGA Pinout (Top View)

	1	2	3	4	5	6	7	8	9	10	11	12	13	14	15	16	
A	VDDIO	nCS[4]	nCS[1]	N/C	N/C	DD[1]	M	VDDIO	D[0]	D[2]	A[3]	VDDIO	A[6]	MOSCOU	VDDOSC	VSSIO	A
B	nCS[5]	VDDIO	nCS[3]	nMOE	VDDIO	N/C	DD[2]	CL[1]	VDDCORE	D[1]	A[2]	A[4]	A[5]	WAKEUP	VDDIO	nURESET	B
C	VDDIO	EXPCLK	VSSIO	VDDIO	VSSIO	VSSIO	VSSIO	VDDIO	VSSIO	VSSIO	VSSIO	VDDIO	VSSIO	VSSIO	nPOR	nEXTPWR	C
D	WRITE	EXPRDY	VSSIO	VDDIO	nCS[2]	nMWE	N/C	CL[2]	VSSRTC	D[4]	nPWRFL	MOSCIN	VDDIO	VSSIO	D[7]	D[8]	D
E	RXD[2]	PB[7]	TDI	WORD	VSSIO	nCS[0]	N/C	FRM	A[0]	D[5]	VSSOSC	VSSIO	nMEDCHG/ nBROM	VDDIO	D[9]	D[10]	E
F	PB[5]	PB[3]	VSSIO	TXD[2]	RUN/ CLKEN	VSSIO	N/C	DD[3]	A[1]	D[6]	VSSRTC	BATOK	nBATCHG	VSSIO	D[11]	VDDIO	F
G	PB[1]	VDDIO	TDO	PB[4]	PB[6]	VSSRTC	VSSRTC	DD[0]	D[3]	VSSRTC	A[7]	A[8]	A[9]	VSSIO	D[12]	D[13]	G
H	PA[7]	PA[5]	VSSIO	PA[4]	PA[6]	PB[0]	PB[2]	VSSRTC	VSSRTC	A[10]	A[11]	A[12]	A[13]	VSSIO	D[14]	D[15]	H
J	PA[3]	PA[1]	VSSIO	PA[2]	PA[0]	TXD[1]	CTS	VSSRTC	VSSRTC	A[17]	A[16]	A[15]	A[14]	nTRST	D[16]	D[17]	J
K	LEDDRV	PHDIN	VSSIO	DCD	nTEST[1]	EINT[3]	VSSRTC	ADCIN	COL[4]	TCLK	D[20]	D[19]	D[18]	VSSIO	VDDIO	VDDIO	K
L	RXD[1]	DSR	VDDIO	nEINT[1]	PE[2]/ CLKSEL	VSSRTC	PD[0]/ LEDFLSH	VSSRTC	COL[6]	D[31]	VSSRTC	A[22]	A[21]	VSSIO	A[18]	A[19]	L
M	nTEST[0]	nEINT[2]	VDDIO	PE[0]/ BOOTSEL[0]	TMS	VDDIO	SSITXFR	DRIVE[1]	FB[0]	COL[0]	D[27]	VSSIO	A[23]	VDDIO	A[20]	D[21]	M
N	nEXTFIQ	PE[1]/ BOOTSEL[1]	VSSIO	VDDIO	PD[5]	PD[2]	SSIRXDA	ADCCLK	SMPCLK	COL[2]	D[29]	D[26]	HALFWORD	VSSIO	D[22]	D[23]	N
P	VSSRTC	RTCOUT	VSSIO	VSSIO	VDDIO	VSSIO	VSSIO	VDDIO	VSSIO	VDDIO	VSSIO	VSSIO	VDDIO	VSSIO	D[24]	VDDIO	P
R	RTCIN	VDDIO	PD[4]	PD[1]	SSITXDA	nADCCS	VDDIO	ADCOUT	COL[7]	COL[3]	COL[1]	D[30]	A[27]	A[25]	VDDIO	A[24]	R
T	VDDRTC	PD[7]	PD[6]	PD[3]	SSICLK	SSIRXFR	VDDCORE	DRIVE[0]	FB[1]	COL[5]	VDDIO	BUZ	D[28]	A[26]	D[25]	VSSIO	T

256-Ball PBGA Ball Listing

The list is ordered by ball location.

Table U. 256-Ball PBGA Ball Listing

Ball Location	Name	Type	Description
A1	VDDIO	Pad power	Digital I/O power, 3.3V
A2	nCS[4]	O	Chip select out
A3	nCS[1]	O	Chip select out
A4	N/C	O	
A5	N/C	O	
A6	DD[1]	O	LCD serial display data
A7	M	O	LCD AC bias drive
A8	VDDIO	Pad power	Digital I/O power, 3.3V
A9	D[0]	I/O	Data I/O
A10	D[2]	I/O	Data I/O
A11	A[3]	O	System byte address

Table U. 256-Ball PBGA Ball Listing (Continued)

Ball Location	Name	Type	Description
A12	VDDIO	Pad power	Digital I/O power, 3.3V
A13	A[6]	O	System byte address
A14	MOSCOU	O	Main oscillator out
A15	VDDOSC	Oscillator power	Oscillator power in, 2.5V
A16	VSSIO	Pad ground	I/O ground
B1	nCS[5]	O	Chip select out
B2	VDDIO	Pad power	I/O ground
B3	nCS[3]	O	Chip select out
B4	nMOE	O	ROM, expansion OP enable
B5	VDDIO	Pad power	Digital I/O power, 3.3V
B6	N/C	O	

Table U. 256-Ball PBGA Ball Listing (Continued)

Ball Location	Name	Type	Description
B7	DD[2]	O	LCD serial display data
B8	CL[1]	O	LCD line clock
B9	VDDCORE	Core power	Digital core power, 2.5V
B10	D[1]	I/O	Data I/O
B11	A[2]	O	System byte address
B12	A[4]	O	System byte address
B13	A[5]	O	System byte address
B14	WAKEUP	I	System wake up input
B15	VDDIO	Pad power	Digital I/O power, 3.3V
B16	nURESET	I	User reset input
C1	VDDIO	Pad power	Digital I/O power, 3.3V
C2	EXPCLK	I	Expansion clock input
C3	VSSIO	Pad ground	I/O ground
C4	VDDIO	Pad power	Digital I/O power, 3.3V
C5	VSSIO	Pad ground	I/O ground
C6	VSSIO	Pad ground	I/O ground
C7	VSSIO	Pad ground	I/O ground
C8	VDDIO	Pad power	Digital I/O power, 3.3V
C9	VSSIO	Pad ground	I/O ground
C10	VSSIO	Pad ground	I/O ground
C11	VSSIO	Pad ground	I/O ground
C12	VDDIO	Pad power	Digital I/O power, 3.3V
C13	VSSIO	Pad ground	I/O ground
C14	VSSIO	Pad ground	I/O ground
C15	nPOR	I	Power-on reset input
C16	nEXTPWR	I	External power supply sense input
D1	WRITE	O	Transfer direction
D2	EXPRDY	I	Expansion port ready input
D3	VSSIO	Pad ground	I/O ground
D4	VDDIO	Pad power	Digital I/O power, 3.3V
D5	nCS[2]	O	Chip select out
D6	nMWE	O	ROM, expansion write enable
D7	N/C	O	
D8	CL[2]	O	LCD pixel clock out
D9	VSSRTC	Core ground	Real time clock ground
D10	D[4]	I/O	Data I/O
D11	nPWRFL	I	Power fail sense input
D12	MOSCIN	I	Main oscillator input
D13	VDDIO	Pad power	Digital I/O power, 3.3V
D14	VSSIO	Pad ground	I/O ground
D15	D[7]	I/O	Data I/O
D16	D[8]	I/O	Data I/O
E1	RXD[2]	I	UART 2 receive data input
E2	PB[7]	I	GPIO port B
E3	TDI	I	JTAG data input
E4	WORD	O	Word access select output
E5	VSSIO	Pad ground	I/O ground
E6	nCS[0]	O	Chip select out

Table U. 256-Ball PBGA Ball Listing (Continued)

Ball Location	Name	Type	Description
E7	N/C	O	
E8	FRM	O	LCD frame synchronization pulse
E9	A[0]	O	System byte address
E10	D[5]	I/O	Data I/O
E11	VSSOSC	Oscillator ground	PLL ground
E12	VSSIO	Pad ground	I/O ground
E13	nMEDCHG/nBROM	I	Media change interrupt input / internal rom boot enable
E14	VDDIO	Pad power	Digital I/O power, 3.3V
E15	D[9]	I/O	Data I/O
E16	D[10]	I/O	Data I/O
F1	PB[5]	I	GPIO port B
F2	PB[3]	I	GPIO port B
F3	VSSIO	Pad ground	I/O ground
F4	TXD[2]	O	UART 2 transmit data output
F5	RUN/CLKEN	O	Run output / clock enable output
F6	VSSIO	Pad ground	I/O ground
F7	N/C	O	
F8	DD[3]	O	LCD serial display data
F9	A[1]	O	System byte address
F10	D[6]	I/O	Data I/O
F11	VSSRTC	RTC ground	Real time clock ground
F12	BATOK	I	Battery ok input
F13	nBATCHG	I	Battery changed sense input
F14	VSSIO	Pad ground	I/O ground
F15	D[11]	I/O	Data I/O
F16	VDDIO	Pad power	Digital I/O power, 3.3V
G1	PB[1]/PRDY[2]	I	GPIO port B / CL-PS6700 interface signal
G2	VDDIO	Pad power	Digital I/O power, 3.3V
G3	TDO	O	JTAG data out
G4	PB[4]	I	GPIO port B
G5	PB[6]	I	GPIO port B
G6	VSSRTC	Core ground	Real time clock ground
G7	VSSRTC	RTC ground	Real time clock ground
G8	DD[0]	O	LCD serial display data
G9	D[3]	I/O	Data I/O
G10	VSSRTC	RTC ground	Real time clock ground
G11	A[7]	O	System byte address
G12	A[8]	O	System byte address
G13	A[9]	O	System byte address
G14	VSSIO	Pad ground	I/O ground
G15	D[12]	I/O	Data I/O
G16	D[13]	I/O	Data I/O
H1	PA[7]	I	GPIO port A
H2	PA[5]	I	GPIO port A
H3	VSSIO	Pad ground	I/O ground
H4	PA[4]	I	GPIO port A
H5	PA[6]	I	GPIO port A

Table U. 256-Ball PBGA Ball Listing (Continued)

Ball Location	Name	Type	Description
H6	PB[0]/PRDY[1]	I	GPIO port B / CL-PS6700 interface signal
H7	PB[2]	I	GPIO port B
H8	VSSRTC	RTC ground	Real time clock ground
H9	VSSRTC	RTC ground	Real time clock ground
H10	A[10]	O	System byte address
H11	A[11]	O	System byte address
H12	A[12]	O	System byte address
H13	A[13]	O	System byte address
H14	VSSIO	Pad ground	I/O ground
H15	D[14]	I/O	Data I/O
H16	D[15]	I/O	Data I/O
J1	PA[3]	I	GPIO port A
J2	PA[1]	I	GPIO port A
J3	VSSIO	Pad ground	I/O ground
J4	PA[2]	I	GPIO port A
J5	PA[0]	I	GPIO port A
J6	TXD[1]	O	UART 1 transmit data out
J7	CTS	I	UART 1 clear to send input
J8	VSSRTC	RTC ground	Real time clock ground
J9	VSSRTC	RTC ground	Real time clock ground
J10	A[17]	O	System byte address
J11	A[16]	O	System byte address
J12	A[15]	O	System byte address
J13	A[14]	O	System byte address
J14	nTRST	I	JTAG async reset input
J15	D[16]	I/O	Data I/O
J16	D[17]	I/O	Data I/O
K1	LEDDRV	O	IR LED drivet
K2	PHDIN	I	Photodiode input
K3	VSSIO	Pad ground	I/O ground
K4	DCD	I	UART 1 data carrier detect
K5	nTEST[1]	I	Test mode select input
K6	EINT[3]	I	External interrupt
K7	VSSRTC	RTC ground	Real time clock ground
K8	ADCIN	I	SSI1 ADC serial input
K9	COL[4]	O	Keyboard scanner column drive
K10	TCLK	I	JTAG clock
K11	D[20]	I/O	Data I/O
K12	D[19]	I/O	Data I/O
K13	D[18]	I/O	Data I/O
K14	VSSIO	Pad ground	I/O ground
K15	VDDIO	Pad power	Digital I/O power, 3.3V
K16	VDDIO	Pad power	Digital I/O power, 3.3V
L1	RXD[1]	I	UART 1 receive data input
L2	DSR	I	UART 1 data set ready input
L3	VDDIO	Pad power	Digital I/O power, 3.3V
L4	nEINT[1]	I	External interrupt input
L5	PE[2]/CLKSEL	I	GPIO port E / clock input mode select

Table U. 256-Ball PBGA Ball Listing (Continued)

Ball Location	Name	Type	Description
L6	VSSRTC	RTC ground	Real time clock ground
L7	PD[0]/LEDFLSH	I/O	GPIO port D / LED blinker output
L8	VSSRTC	Core ground	Real time clock ground
L9	COL[6]	O	Keyboard scanner column drive
L10	D[31]	I/O	Data I/O
L11	VSSRTC	RTC ground	Real time clock ground
L12	A[22]	O	System byte address
L13	A[21]	O	System byte address
L14	VSSIO	Pad ground	I/O ground
L15	A[18]	O	System byte address
L16	A[19]	O	System byte address
M1	nTEST[0]	I	Test mode select input
M2	nEINT[2]	I	External interrupt input
M3	VDDIO	Pad power	Digital I/O power, 3.3V
M4	PE[0]/BOOTSEL[0]	I	GPIO port E / Boot mode select
M5	TMS	I	JTAG mode select
M6	VDDIO	Pad power	Digital I/O power, 3.3V
M7	SSITXFR	I/O	DAI/CODEC/SSI2 frame sync
M8	DRIVE[1]	I/O	PWM drive output
M9	FB[0]	I	PWM feedback input
M10	COL[0]	O	Keyboard scanner column drive
M11	D[27]	I/O	Data I/O
M12	VSSIO	Pad ground	I/O ground
M13	A[23]	O	System byte address
M14	VDDIO	Pad power	Digital I/O power, 3.3V
M15	A[20]	O	System byte address
M16	D[21]	I/O	Data I/O
N1	nEXTFIQ	I	External fast interrupt input
N2	PE[1]/BOOTSEL[1]	I	GPIO port E / boot mode select
N3	VSSIO	Pad ground	I/O ground
N4	VDDIO	Pad power	Digital I/O power, 3.3V
N5	PD[5]	I/O	GPIO port D
N6	PD[2]	I/O	GPIO port D
N7	SSIRXDA	I/O	DAI/CODEC/SSI2 serial data input
N8	ADCCLK	O	SSI1 ADC serial clock
N9	SMPCLK	O	SSI1 ADC sample clock
N10	COL[2]	O	Keyboard scanner column drive
N11	D[29]	I/O	Data I/O
N12	D[26]	I/O	Data I/O
N13	HALFWORD	O	Halfword access select output
N14	VSSIO	Pad ground	I/O ground
N15	D[22]	I/O	Data I/O
N16	D[23]	I/O	Data I/O
P1	VSSRTC	RTC ground	Real time clock ground
P2	RTCOUT	O	Real time clock oscillator output
P3	VSSIO	Pad ground	I/O ground
P4	VSSIO	Pad ground	I/O ground
P5	VDDIO	Pad power	Digital I/O power, 3.3V

Table U. 256-Ball PBGA Ball Listing (Continued)

Ball Location	Name	Type	Description
P6	VSSIO	Pad ground	I/O ground
P7	VSSIO	Pad ground	I/O ground
P8	VDDIO	Pad power	Digital I/O power, 3.3V
P9	VSSIO	Pad ground	I/O ground
P10	VDDIO	Pad power	Digital I/O power, 3.3V
P11	VSSIO	Pad ground	I/O ground
P12	VSSIO	Pad ground	I/O ground
P13	VDDIO	Pad power	Digital I/O power
P14	VSSIO	Pad ground	I/O ground
P15	D[24]	I/O	Data I/O
P16	VDDIO	Pad power	Digital I/O power, 3.3V
R1	RTCIN	I/O	Real time clock oscillator input
R2	VDDIO	Pad power	Digital I/O power, 3.3V
R3	PD[4]	I/O	GPIO port D
R4	PD[1]	I/O	GPIO port D
R5	SSITXDA	O	DAI/CODEC/SSI2 serial data output
R6	nADCCS	O	SSI1 ADC chip select
R7	VDDIO	Pad power	Digital I/O power, 3.3V
R8	ADCOUT	O	SSI1 ADC serial data output
R9	COL[7]	O	Keyboard scanner column drive
R10	COL[3]	O	Keyboard scanner column drive
R11	COL[1]	O	Keyboard scanner column drive
R12	D[30]	I/O	Data I/O
R13	A[27]	O	System byte address
R14	A[25]	O	System byte address
R15	VDDIO	Pad power	Digital I/O power, 3.3V
R16	A[24]	O	System byte address
T1	VDDRRTC	RTC power	Real time clock power, 2.5V
T2	PD[7]	I/O	GPIO port D
T3	PD[6]	I/O	GPIO port D
T4	PD[3]	I/O	GPIO port D
T5	SSICLK	I/O	DAI/CODEC/SSI2 serial clock
T6	SSIRXFR	–	DAI/CODEC/SSI2 frame sync
T7	VDDCORE	Core power	Core power, 2.5V
T8	DRIVE[0]	I/O	PWM drive output
T9	FB[1]	I	PWM feedback input
T10	COL[5]	O	Keyboard scanner column drive
T11	VDDIO	Pad power	Digital I/O power, 3.3V
T12	BUZ	O	Buzzer drive output
T13	D[28]	I/O	Data I/O
T14	A[26]	O	System byte address
T15	D[25]	I/O	Data I/O
T16	VSSIO	Pad ground	I/O ground

JTAG Boundary Scan Signal Ordering

Table V. JTAG Boundary Scan Signal Ordering

LQFP Pin No.	TFBGA Ball	PBGA Ball	Signal	Type	Position
1	B3	B1	nCS[5]	O	1
4	A2	C2	EXPCLK	I/O	3
5	B1	E4	WORD	O	6
6	E3	D1	WRITE	O	8
7	C1	F5	RUN/CLKEN	O	10
8	C2	D2	EXPRDY	I	13
9	E2	F4	TXD2	O	14
10	D2	E1	RXD2	I	16
13	F3	E2	PB[7]	I/O	17
14	D1	G5	PB[6]	I/O	20
15	F2	F1	PB[5]	I/O	23
16	G3	G4	PB[4]	I/O	26
17	E1	F2	PB[3]	I/O	29
18	F1	H7	PB[2]	I/O	32
19	G2	G1	PB[1]/PRDY2	I/O	35
20	G1	H6	PB[0]/PRDY1	I/O	38
23	H3	H1	PA[7]	I/O	41
24	H1	H5	PA[6]	I/O	44
25	J3	H2	PA[5]	I/O	47
26	J2	H4	PA[4]	I/O	50
27	J1	J1	PA[3]	I/O	53
28	L3	J4	PA[2]	I/O	56
29	K2	J2	PA[1]	I/O	59
30	K1	J5	PA[0]	I/O	62
31	M3	K1	LEDDR	O	65
32	L2	J6	TXD1	O	67
34	L1	K2	PHDIN	I	69
35	N3	J7	CTS	I	70
36	M2	L1	RXD1	I	71
37	M1	K4	DCD	I	72
38	P3	L2	DSR	I	73
39	N1	K5	nTEST1	I	74
40	N2	M1	nTEST0	I	75
41	R3	K6	EINT3	I	76
42	P1	M2	nEINT2	I	77
43	P2	L4	nEINT1	I	78

Table V. JTAG Boundary Scan Signal Ordering (Continued)

LQFP Pin No.	TFBGA Ball	PBGA Ball	Signal	Type	Position
44	T3	N1	nEXTFIQ	I	79
45	R1	L5	PE[2]/CLKSEL	I/O	80
46	R2	N2	PE[1]/BOOTSEL1	I/O	83
47	T1	M4	PE[0]/BOOTSEL0	I/O	86
53	T2	T2	PD[7]	I/O	89
54	V4	T3	PD[6]	I/O	92
55	W4	N5	PD[5]	I/O	95
56	Y4	R3	PD[4]	I/O	98
59	V5	T4	PD[3]	I/O	101
60	W5	N6	PD[2]	I/O	104
61	Y5	R4	PD[1]	I/O	107
62	V6	L7	PD[0]/LEDFLSH	O	110
68	W6	T6	SSIRXFR	I/O	122
69	Y6	K8	ADCIN	I	125
70	W8	R6	nADCCS	O	126
75	Y8	M8	DRIVE1	I/O	128
76	V9	T8	DRIVE0	I/O	131
77	W10	N8	ADCCLK	O	134
78	Y10	R8	ADCOUT	O	136
79	V11	N9	SMPCLK	O	138
80	W11	T9	FB1	I	140
82	Y11	M9	FB0	I	141
83	Y12	R9	COL7	O	142
84	W12	L9	COL6	O	144
85	V12	T10	COL5	O	146
86	Y13	K9	COL4	O	148
87	W13	R10	COL3	O	150
88	V13	N10	COL2	O	152
91	Y14	R11	COL1	O	154
92	W14	M10	COL0	O	156
93	A1	T12	BUZ	O	158
94	V14	L10	D[31]	I/O	160
95	Y15	R12	D[30]	I/O	163
96	W15	N11	D[29]	I/O	166
97	V15	T13	D[28]	I/O	169
99	Y16	R13	A[27]	Out	172
100	W16	M11	D[27]	I/O	174
101	V16	T14	A[26]	O	177

Table V. JTAG Boundary Scan Signal Ordering (Continued)

LQFP Pin No.	TFBGA Ball	PBGA Ball	Signal	Type	Position
102	Y17	N12	D[26]	I/O	179
103	W17	R14	A[25]	O	182
104	Y18	T15	D[25]	I/O	184
105	V17	N13	HALFWORD	O	187
106	W18	R16	A[24]	O	189
109	Y19	P15	D[24]	I/O	191
110	W20	M13	A[23]	O	194
111	U18	N16	D[23]	I/O	196
112	V20	L12	A[22]	O	199
113	U19	N15	D[22]	I/O	201
114	U20	L13	A[21]	O	204
115	T19	M16	D[21]	I/O	206
117	T20	M15	A[20]	O	209
118	R19	K11	D[20]	I/O	211
119	R20	L16	A[19]	O	214
120	T18	K12	D[19]	I/O	216
121	P19	L15	A[18]	O	219
122	P20	K13	D[18]	I/O	221
126	R18	J10	A[17]	O	224
127	N19	J16	D[17]	I/O	226
128	N20	J11	A[16]	O	229
129	P18	J15	D[16]	I/O	231
130	M19	J12	A[15]	O	234
131	N18	H16	D[15]	I/O	236
132	L20	J13	A[14]	O	239
133	L19	H15	D[14]	I/O	241
134	M18	H13	A[13]	O	244
135	K20	G16	D[13]	I/O	246
136	K19	H12	A[12]	O	249
137	K18	G15	D[12]	I/O	251
138	J20	H11	A[11]	O	254
141	J19	F15	D[11]	I/O	256
142	H20	H10	A[10]	O	259
143	H19	E16	D[10]	I/O	261
144	J18	G13	A[9]	O	264
145	K3	E15	D[9]	I/O	266
146	Y3	G12	A[8]	O	269
147	G20	D16	D[8]	I/O	271

Table V. JTAG Boundary Scan Signal Ordering (Continued)

LQFP Pin No.	TFBGA Ball	PBGA Ball	Signal	Type	Position
148	H18	G11	A[7]	O	274
150	F20	D15	D[7]	I/O	276
151	G19	F13	nBATCHG	I	279
152	E20	C16	nEXTPWR	I	280
153	F19	F12	BATOK	I	281
154	G18	C15	nPOR	I	282
155	D20	E13	nMEDCHG/nBROM	I	283
156	F18	B16	nURESET	I	284
161	D19	B14	WAKEUP	I	285
162	E19	D11	nPWRFL	I	286
163	C19	A13	A[6]	O	287
164	C20	F10	D[6]	I/O	289
165	E18	B13	A[5]	O	292
166	B20	E10	D[5]	I/O	294
169	B16	B12	A[4]	O	297
170	A16	D10	D[4]	I/O	299
171	C15	A11	A[3]	O	302
172	B15	G9	D[3]	I/O	304
173	A15	B11	A[2]	O	307
175	C14	A10	D[2]	I/O	309
176	B14	F9	A[1]	O	312
177	A14	B10	D[1]	I/O	314
178	C13	E9	A[0]	O	317
179	B13	A9	D[0]	I/O	319
184	A13	D8	CL2	O	322
185	C12	B8	CL1	O	324
186	B12	E8	FRM	O	326
187	A12	A7	M	O	328
188	C11	F8	DD[3]	I/O	330
189	B11	B7	DD[2]	I/O	333
191	B10	A6	DD[1]	I/O	336
192	A10	G8	DD[0]	I/O	339
193	A9	B6	N/C	O	342
194	B9	D7	N/C	O	344
195	C9	A5	N/C	I/O	346
196	A8	E7	N/C	I/O	349
199	B8	F7	N/C	I/O	352
200	C8	A4	N/C	I/O	355

Table V. JTAG Boundary Scan Signal Ordering (Continued)

LQFP Pin No.	TFBGA Ball	PBGA Ball	Signal	Type	Position
201	A7	D6	nMWE	O	358
202	B7	B4	nMOE	O	360
204	C7	E6	nCS[0]	O	362
205	A6	A3	nCS[1]	O	364
206	B6	D5	nCS[2]	O	366
207	C6	B3	nCS[3]	O	368
208	A5	A2	nCS[4]	O	370

- 1) See EP7309 Users' Manual for pin naming / functionality.
- 2) For each pad, the JTAG connection ordering is input, output, then enable as applicable.

CONVENTIONS

This section presents acronyms, abbreviations, units of measurement, and conventions used in this data sheet.

Acronyms and Abbreviations

Table W lists abbreviations and acronyms used in this data sheet.

Table W. Acronyms and Abbreviations

Acronym/ Abbreviation	Definition
A/D	analog-to-digital
ADC	analog-to-digital converter
CODEC	coder / decoder
D/A	digital-to-analog
DMA	direct-memory access
EPB	embedded peripheral bus
FCS	frame check sequence
FIFO	first in / first out
FIQ	fast interrupt request
GPIO	general purpose I/O
ICT	in circuit test
IR	infrared
IRQ	standard interrupt request
IrDA	Infrared Data Association
JTAG	Joint Test Action Group
LCD	liquid crystal display
LED	light-emitting diode
LQFP	low profile quad flat pack
LSB	least significant bit
MIPS	millions of instructions per second
MMU	memory management unit
MSB	most significant bit
PBGA	plastic ball grid array
PCB	printed circuit board
PDA	personal digital assistant
PLL	phase locked loop
p/u	pull-up resistor
RISC	reduced instruction set computer
RTC	Real-Time Clock
SIR	slow (9600–115.2 kbps) infrared
SRAM	static random access memory
SSI	synchronous serial interface

Table W. Acronyms and Abbreviations (Continued)

Acronym/ Abbreviation	Definition
TAP	test access port
TLB	translation lookaside buffer
UART	universal asynchronous receiver

Units of Measurement

Table X. Unit of Measurement

Symbol	Unit of Measure
°C	degree Celsius
fs	sample frequency
Hz	hertz (cycle per second)
kbps	kilobits per second
KB	kilobyte (1,024 bytes)
kHz	kilohertz
kΩ	kilohm
Mbps	megabits (1,048,576 bits) per second
MB	megabyte (1,048,576 bytes)
MBps	megabytes per second
MHz	megahertz (1,000 kilohertz)
μA	microampere
μF	microfarad
μW	microwatt
μs	microsecond (1,000 nanoseconds)
mA	milliampere
mW	milliwatt
ms	millisecond (1,000 microseconds)
ns	nanosecond
V	volt
W	watt

General Conventions

Hexadecimal numbers are presented with all letters in uppercase and a lowercase "h" appended or with a 0x at the beginning. For example, 0x14 and 03CAh are hexadecimal numbers. Binary numbers are enclosed in single quotation marks when in text (for example, '11' designates a binary number). Numbers not indicated by an "h", 0x or quotation marks are decimal.

Registers are referred to by acronym, with bits listed in brackets separated by a colon (:) (for example, CODR[7:0]), and are described in the EP7309 User's Manual. The use of "TBD" indicates values that are "to be determined," "n/a" designates "not available," and "n/c" indicates a pin that is a "no connect."

Pin Description Conventions

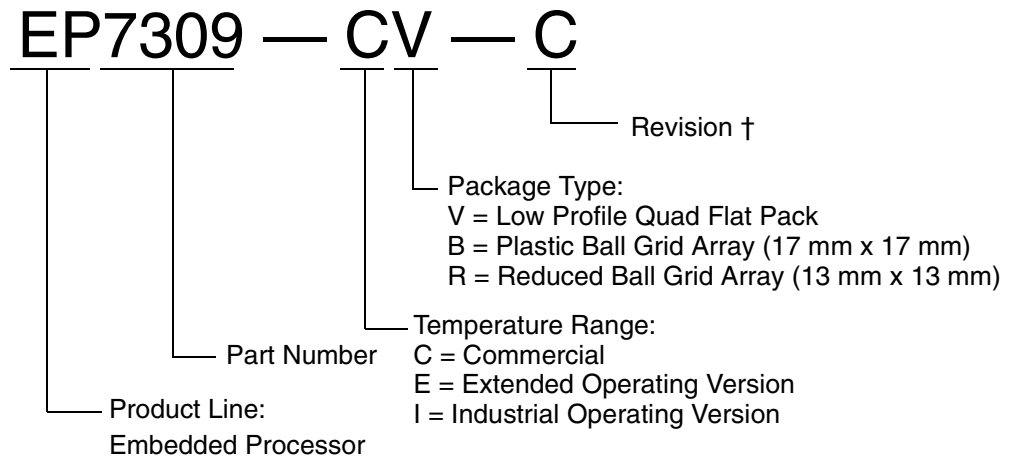
Abbreviations used for signal directions are listed in Table Y.

Table Y. Pin Description Conventions

Abbreviation	Direction
I	Input
O	Output
I/O	Input or Output

ORDERING INFORMATION

The order number for the device is:



Note: Contact Cirrus Logic for up-to-date information on revisions. Go to the Cirrus Logic Internet site at <http://cirrus.com/corporate/contacts> to find contact information for your local sales representative.

• **Notes** •

Maverick™



from
CIRRUS LOGIC