

CB-12CP



φ12×8.5mm

接続リード/Connection leads: P,W,N

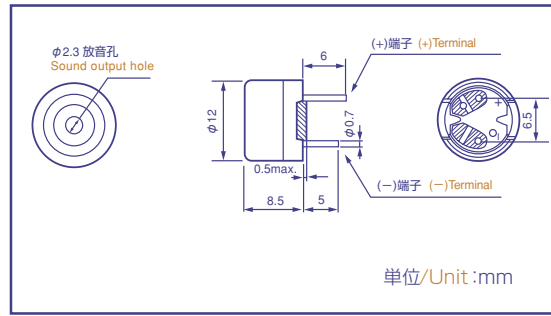
仕様/Specifications

定格電圧 Rated voltage (V)	1.5	音圧* Sound pressure level* (dB)	min.80 (at 10cm) typ.83	直流抵抗 DC resistance (Ω)	42
平均消費電流* Average current consumption* (mA)	max.10	駆動周波数 Driving frequency (Hz)	4,096	動作電圧範囲 Operating voltage range (VDC)	1.1~1.7※

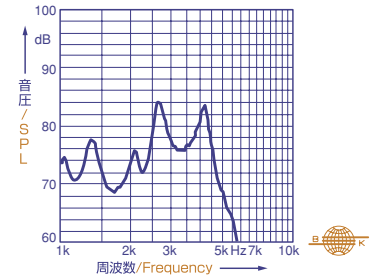
★1.5V, 4,096Hz, 1/2 duty, 方形波 ★At 1.5V, 4,096Hz, 1/2 duty, square wave

※動作電圧は5Vまで使用可能です。詳細はお問い合わせ下さい。/※Operating voltage of up to 5V can be used. Please consult with us for details.

外形寸法図/Outline drawing



周波数特性/ Frequency characteristics



CB-12EP



φ12×5.4mm

接続リード/Connection leads: P,W,N

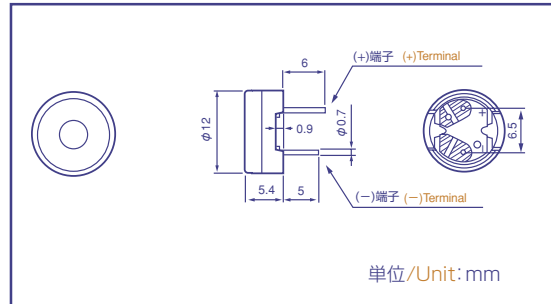
仕様/Specifications

定格電圧 Rated voltage (V)	1.5	音圧* Sound pressure level* (dB)	min.70 (at 10cm) typ.77	直流抵抗 DC resistance (Ω)	42
平均消費電流* Average current consumption* (mA)	max.10	駆動周波数 Driving frequency (Hz)	2,048	動作電圧範囲 Operating voltage range (VDC)	1.1~1.7※

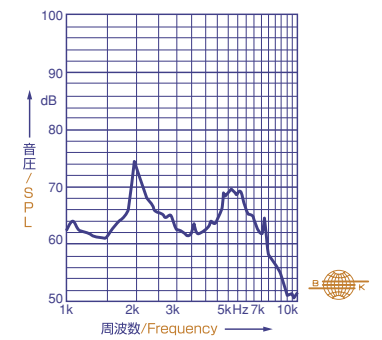
★1.5V, 2,048Hz, 1/2 duty, 方形波 ★At 1.5V, 2,048Hz, 1/2 duty, square wave

※動作電圧は3Vまで使用可能です。詳細はお問い合わせ下さい。/※Operating voltage of up to 3V can be used. Please consult with us for details.

外形寸法図/Outline drawing



周波数特性/ Frequency characteristics



CB-12GP-03



φ12×8.5mm

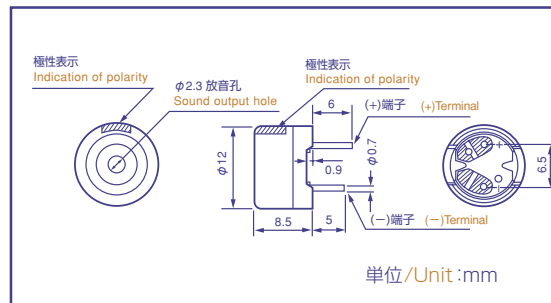
接続リード/Connection leads: P,W,N

仕様/Specifications

定格電圧 Rated voltage (V)	1.5	音圧* Sound pressure level* (dB)	min.85 (at 10cm) typ.90	直流抵抗 DC resistance (Ω)	17
平均消費電流* Average current consumption* (mA)	max.24	駆動周波数 Driving frequency (Hz)	2,048	動作電圧範囲 Operating voltage range (VDC)	1.1~1.7

★1.5V, 2,048Hz, 1/2 duty, 方形波 ★At 1.5V, 2,048Hz, 1/2 duty, square wave

外形寸法図/Outline drawing



周波数特性/ Frequency characteristics

