

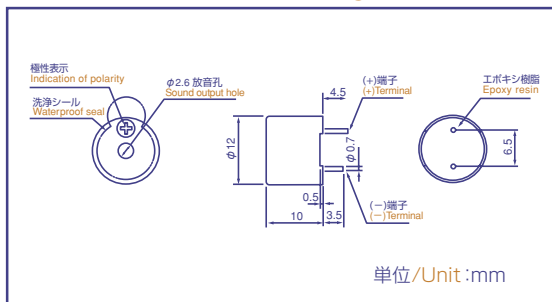
# CB-12TP



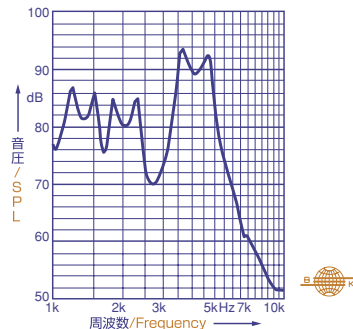
φ12×10mm

洗浄可能/Washable  
接続リード/Connection leads: P

## ■外形寸法図/Outline drawing



## ■周波数特性/ Frequency characteristics



## ■仕様/Specifications

|  |         |                                   |                            |   |          |
|--|---------|-----------------------------------|----------------------------|---|----------|
| 定格電圧<br>Rated voltage (V)                    | 1.5     | 音圧*<br>Sound pressure level* (dB) | min.85<br>typ.89 (at 10cm) | 直流抵抗<br>DC resistance (Ω)               | 51       |
| 平均消費電流*<br>Average current consumption* (mA) | max.8.5 | 駆動周波数<br>Driving frequency (Hz)   | 4,096                      | 動作電圧範囲<br>Operating voltage range (VDC) | 1.1~1.7※ |

★1.5V, 4.096Hz, 1/2 duty, 方形波 / ★At 1.5V, 4.096Hz, 1/2 duty, square wave

※動作電圧は5Vまで使用可能です。詳細はお問い合わせ下さい。 / ※Operating voltage of up to 5V can be used. Please consult with us for details.

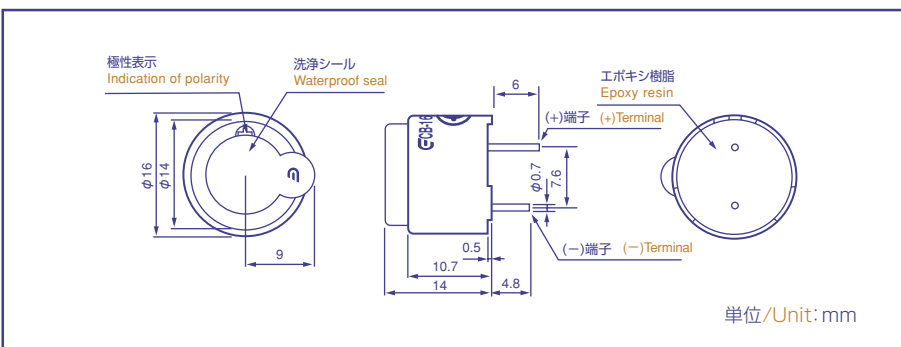
# CB-16BP-06B CB-16BP-12B



φ16×14mm

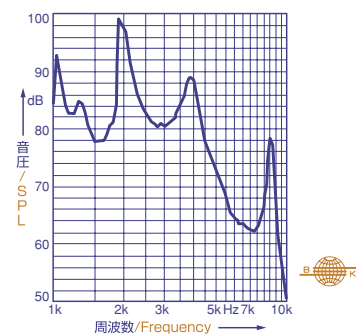
洗浄可能/Washable  
接続リード/Connection leads: P

## ■外形寸法図/Outline drawing(CB-16BP-06B, CB-16BP-12B)



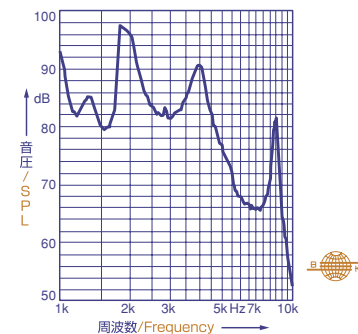
## ■周波数特性(CB-16BP-06B)

### Frequency characteristics



## ■周波数特性(CB-16BP-12B)

### Frequency characteristics



## ■仕様/Specifications

### CB-16BP-06B

|  |        |                                   |                            |   |     |
|--|--------|-----------------------------------|----------------------------|---|-----|
| 定格電圧<br>Rated voltage (V)                    | 6      | 音圧*<br>Sound pressure level* (dB) | min.85<br>typ.96 (at 10cm) | 直流抵抗<br>DC resistance (Ω)               | 50  |
| 平均消費電流*<br>Average current consumption* (mA) | max.24 | 駆動周波数<br>Driving frequency (Hz)   | 2,048                      | 動作電圧範囲<br>Operating voltage range (VDC) | 4~9 |

★6V, 2.048Hz, 1/2 duty, 方形波 / ★At 6V, 2.048Hz, 1/2 duty, square wave

### CB-16BP-12B

|  |        |                                   |                            |   |      |
|--|--------|-----------------------------------|----------------------------|---|------|
| 定格電圧<br>Rated voltage (V)                    | 12     | 音圧*<br>Sound pressure level* (dB) | min.85<br>typ.90 (at 10cm) | 直流抵抗<br>DC resistance (Ω)               | 115  |
| 平均消費電流*<br>Average current consumption* (mA) | max.24 | 駆動周波数<br>Driving frequency (Hz)   | 2,048                      | 動作電圧範囲<br>Operating voltage range (VDC) | 6~18 |

★12V, 2.048Hz, 1/2 duty, 方形波 / ★At 12V, 2.048Hz, 1/2 duty, square wave