

LA2284

LINEAR INTEGRATED CIRCUIT

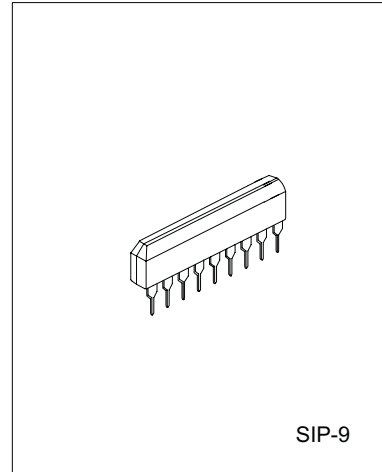
5-DOT DUAL LED LEVEL METER DRIVER

DESCRIPTION

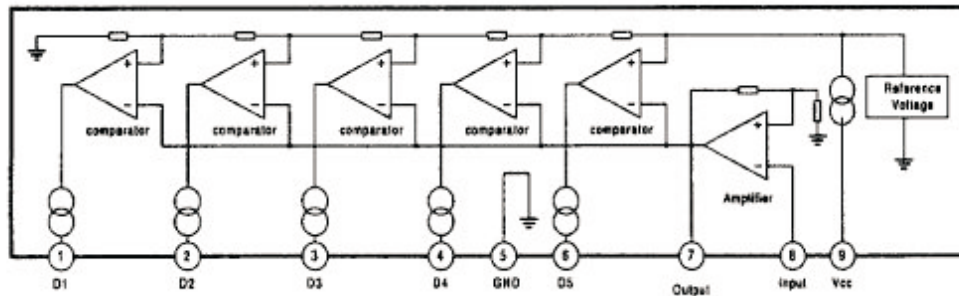
The Contek LA2284 is a monolithic integrated circuit designed for 5-dot LED level meter drivers with a built-in rectifying amplifier. It is suitable for AC/DC level meters such as VU meters or signal meters.

FEATURE

- *High gain rectifying amplifier included ($G_v=26\text{dB}$)
- *Low radiation noise when LED turns on
- *Logarithmic indicator for 5-dot LED of bar type
- *Constant current output(15mA)
- *Wide operating supply voltage(3.5V ~ 16V)
- *Not necessary diode or transistor for ALC
- *Minimum number of external parts required



BLOCK DIAGRAM



ABSOLUTE MAXIMUM RATINGS ($T_a=25\text{ }^\circ\text{C}$)

PARAMETER	SYMBOL	VALUE	UNIT
Supply Voltage	Vcc	18	V
Amplifier input Voltage	V8	-0.5 ~ Vcc	V
Pin 7 Voltage	V7	6	V
D terminal Output Voltage	VD	18	V
Operating Temperature	Topr	-20 to +80	C
Storage Temperature	Tstg	-40 to 125	C
Power dissipation	PD	1100	W



Contek Microelectronics Co.,Ltd.

<http://www.contek-ic.com> E-mail:sales@contek-ic.com

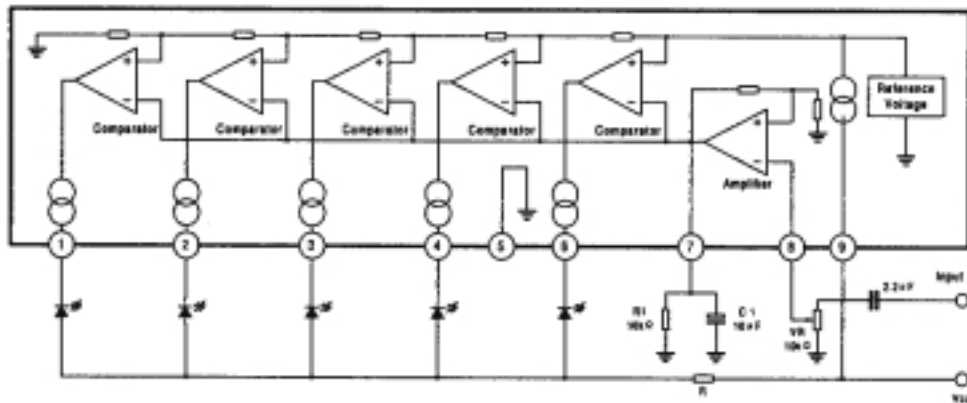
LA2284

LINEAR INTEGRATED CIRCUIT

ELECTRICAL CHARACTERISTICS ($T_a=25^\circ\text{C}$, $V_{cc}=6\text{V}$, $f=1\text{kHz}$, unless otherwise specified)

PARAMETER	SYMBOL	TEST CONDITIONS	MIN.	TYP.	MAX.	UNIT
Supply Voltage	V_{cc}		3.5	6.0	16.0	V
Supply Current	I_{cc}	$V_{IN}=0$		5	8	mA
Sensitivity	V_{in}	In Vc3 Level	46	56	66	mV
Comparator ON Level 1	V_{c1}		-11.5	-10.0	-8.5	dB
Comparator ON Level 2	V_{c2}		-6	-5	-4	dB
Comparator ON Level 3	V_{c3}			0		dB
Comparator ON Level 4	V_{c4}		2.5	3.0	3.5	dB
Comparator ON Level 5	V_{c5}		5	6	7	dB
LED Output current	I_{LED}		11.0	15.0	18.5	mA
Amp Gain	G_v	$V_i=0.1\text{V}$	24	26	28	dB
Input Bias Current	I_{INO}		-1.0	-0.3		μA

TEST CIRCUIT

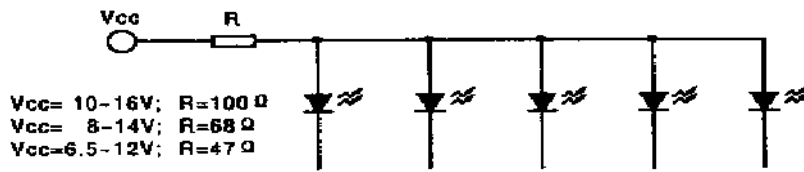


Contek Microelectronics Co.,Ltd.

<http://www.contek-ic.com> E-mail:sales@contek-ic.com

APPLICATION INFORMATION

- By changing the time constant C1 and, the response, attack and release time, may be varied. In the above application conditions, power dissipation may be operated at higher levels than the absolute maximum ratings. The wattage of R is to be determined by the total LED current and R value recommended by the R table.



TO Contek LA2284

TYPICAL PERFORMANCE CHARACTERISTICS

