

# LM317L

# LINEAR INTEGRATED CIRCUIT

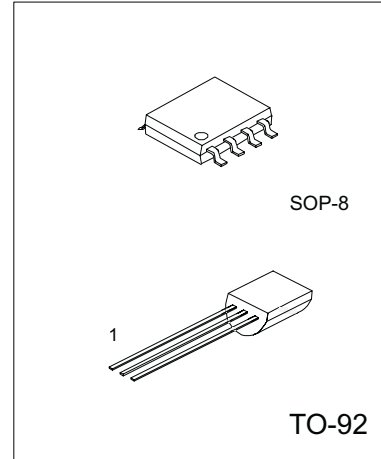
## LOW CURRENT 1.25V TO 37V ADJUSTABLE VOLTAGE REGULATOR

### DESCRIPTION

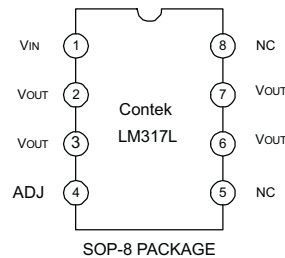
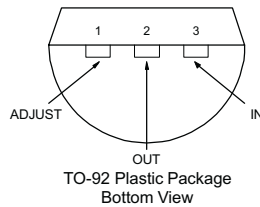
The Contek LM317L is a monolithic integrated circuit, designed for use as positive adjustable voltage regulator. It is designed to supply until 100mA of load current with an output voltage adjustable over a 1.25V to 37V range.

### FEATURES

- \*Output voltage range: 1.25V to 37V
- \*Output current in excess of 100mA
- \*Line regulation typ. 0.01%
- \*Load regulation typ. 0.1%
- \*Thermal overload protection
- \*Short circuit protection
- \*Output transistor safe area compensation
- \*Floating operation for high voltage applications



### PIN CONFIGURATIONS



### ABSOLUTE MAXIMUM RATING

PARAMETER	SYMBOL	VALUE	UNIT
Input-Output Differential Voltage	$V_i - V_o$	40	V
Power Dissipation	$P_d$	Internally Limited	
Operating Junction Temperature Range	$T_{opr}$	0~125	C
Storage Temperature Range	$T_{str}$	-55 ~ 150	C



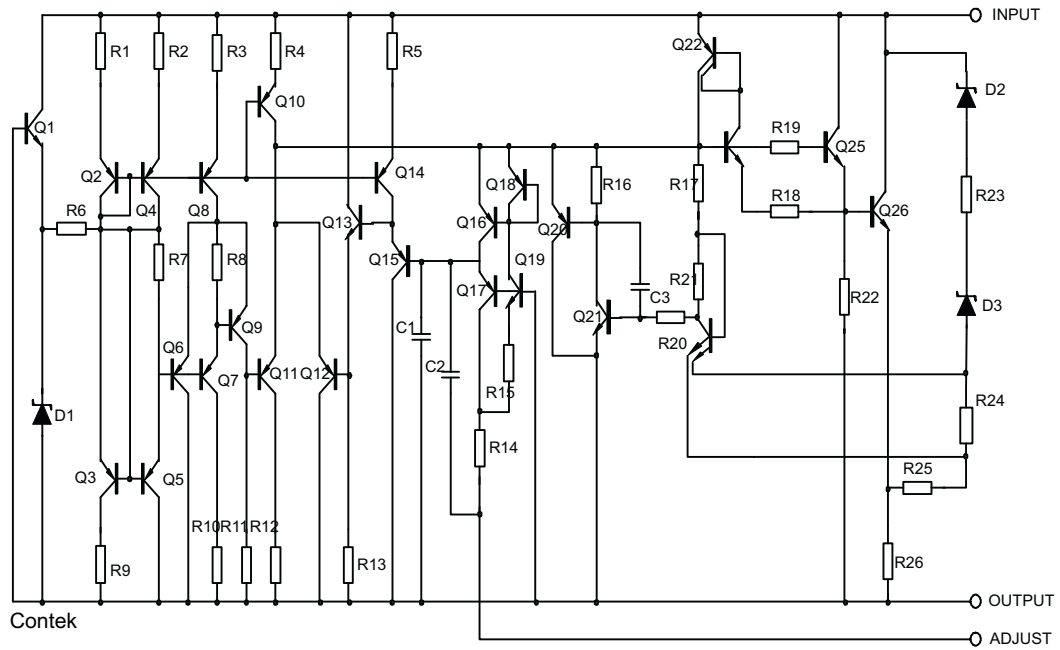
Contek Microelectronics Co.,Ltd.

<http://www.contek-ic.com> E-mail:sales@contek-ic.com

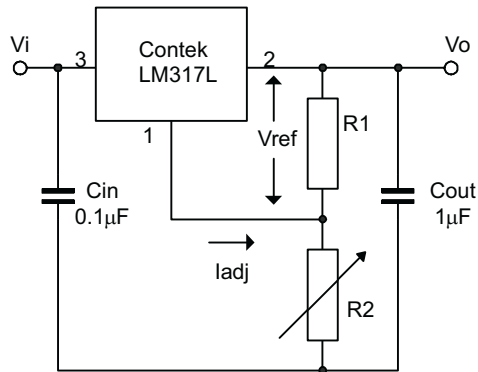
# LM317L

# LINEAR INTEGRATED CIRCUIT

## SCHEMATIC DIAGRAM



## TEST CIRCUIT



Contek Microelectronics Co.,Ltd.

<http://www.contek-ic.com> E-mail:sales@contek-ic.com

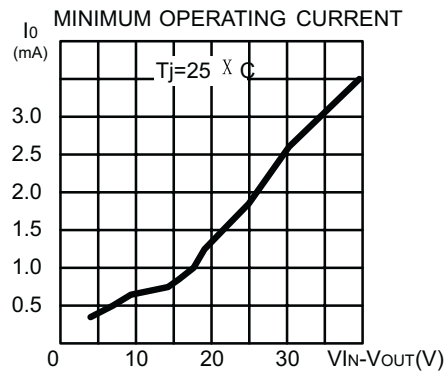
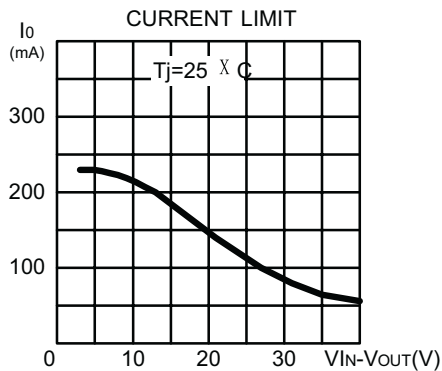
# LM317L

# LINEAR INTEGRATED CIRCUIT

ELECTRICAL CHARACTERISTICS ( $V_i - V_o = 5V$ ,  $I_o = 40mA$ ,  $0 \leq T_j \leq 125$  C, unless otherwise specified)

PARAMETER	SYMBOL	TEST CONDITIONS	MIN	TYP	MAX	UNIT
Line Regulation	$\Delta V_o$	$V_i - V_o = 3 \sim 40V$ $I_L < 20mA$	$T_j = 25$ C	0.01	0.04	%/V
				0.02	0.07	%/V
Load Regulation	$\Delta V_o$	$V_o \leq 5V$ $I_o = 5 \sim 100mA$	$T_j = 25$ C	5	25	mV
				20	70	mV
		$V_o > 5V$ $I_o = 5 \sim 100mA$	$T_j = 25$ C	0.1	0.5	%
Adjustment Pin Current	$I_{ADJ}$			0.3	1.5	%
Adjustment Pin Current	$\Delta I_{ADJ}$			50	100	$\mu A$
Adjustment Pin Current	$\Delta I_{ADJ}$	$V_i - V_o = 3 \sim 40V$ $I_o = 5 \sim 100mA$ , $P_d < 625$ mW		0.2	5	$\mu A$
Reference Voltage	$V_{REF}$	$V_i - V_o = 3 \sim 40V$ $I_o = 5 \sim 100$ mA, $P_d < 625$ mW	1.2	1.25	1.3	V
Output Voltage Temperature Stability	$\Delta V_o / V_o$			0.7		%
Minimum Load Current	$I_o(\min)$	$V_i - V_o = 40V$		3.5	5	mA
Maximum Output Current	$I_o(\max)$	$V_i - V_o = 3 \sim 13V$	100	200		mA
		$V_i - V_o = 40V$		50		
Output Noise Voltage (Percentage of $V_o$ )	eN	B=10Hz~10KHz $T_j = 25$ C		0.003		%
Supply Voltage Rejection(*)	SVR	$T_j = 25$ C f=120Hz	CADJ=0	65		dB
			CADJ=10 $\mu$ F	66	80	dB

(\*) CADJ is connected between Adjust pin and Ground.



Contek Microelectronics Co.,Ltd.

<http://www.contek-ic.com> E-mail:sales@contek-ic.com

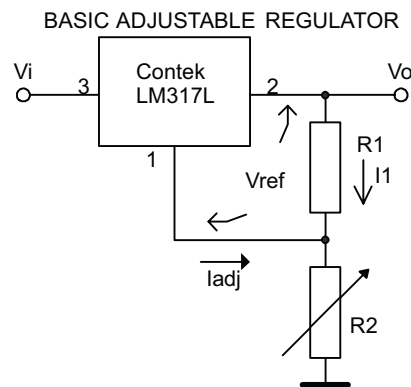
# LM317L LINEAR INTEGRATED CIRCUIT

## APPLICATION INFORMATION

The Contek LM317L provides an internal reference voltage of 1.25V between the output and adjustments terminals. This is used to set a constant current flow across an external resistor divider, giving an output voltage  $V_O$  of:

$$V_O = V_{REF} (1 + R_2/R_1) + I_{ADJ} R_2$$

The device is designed to minimize the term  $I_{ADJ}$  (100 $\mu$ A max) and to maintain it very constant with line and load changes. Usually, the error term  $I_{ADJ} R_2$  can be neglected. To obtain the previous requirement, all the regulator quiescent current is returned to the output terminal, imposing a minimum load current condition. If the load is insufficient, the output voltage will rise. The Contek LM317L is a floating regulator, input-output differential voltage, supplies of very high voltage with respect to ground can be regulated as long as the maximum input-output differential is not exceeded. Furthermore, programmable regulators are easily obtainable and, by connecting a fixed resistor between the adjustment and output, the device can be used as a precision current regulator.



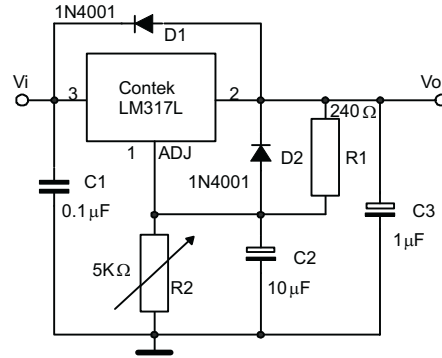
Contek Microelectronics Co.,Ltd.

<http://www.contek-ic.com> E-mail:sales@contek-ic.com

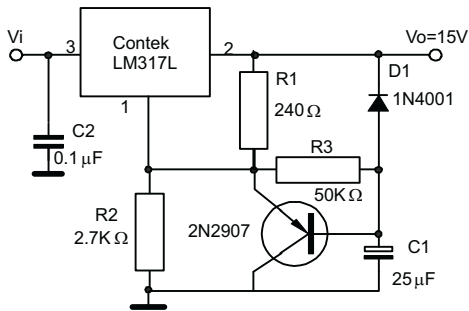
# LM317L

# LINEAR INTEGRATED CIRCUIT

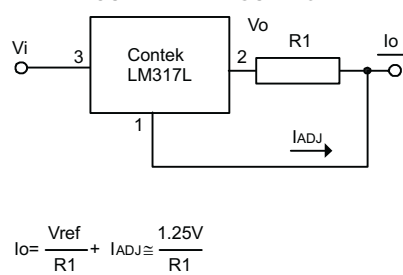
VOLTAGE REGULATOR WITH PROTECTION DIODES



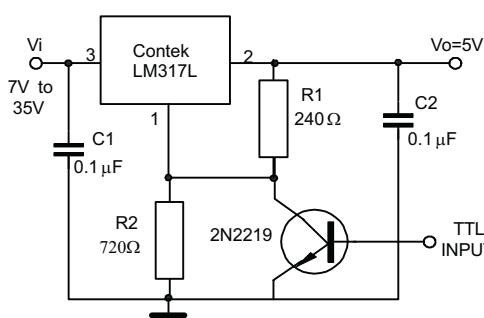
SLOW TURN-ON 15V REGULATOR



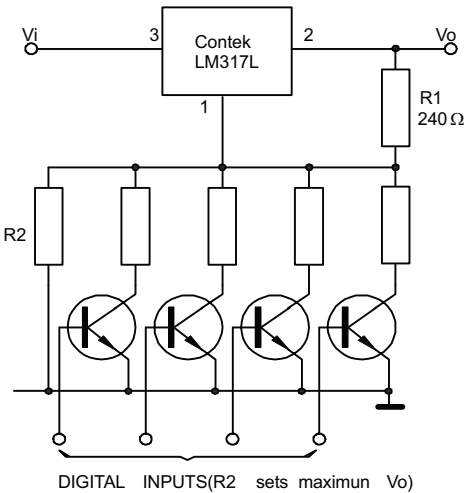
CURRENT REGULATOR



5V ELECTRONIC SHUT-DOWN REGULATOR



DIGITALLY SELECTED OUTPUTS



Contek Microelectronics Co.,Ltd.

<http://www.contek-ic.com> E-mail:sales@contek-ic.com