

TL072

LINEAR INTEGRATED CIRCUIT

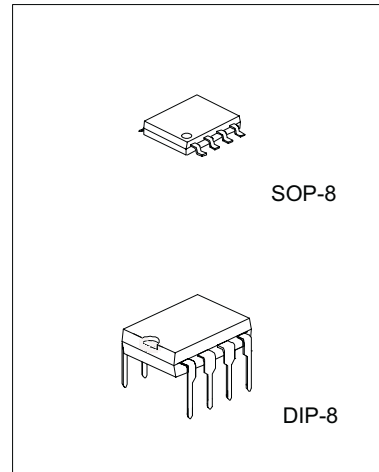
LOW NOISE DUAL J-FET OPERATIONAL AMPLIFIER

DESCRIPTION

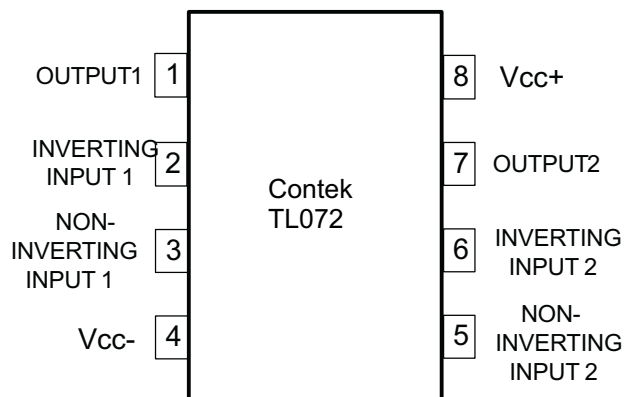
The ContekTL072 is a high speed J- FET input dual operational amplifier. It incorporates well matched , high voltage J- FET and bipolar transistors in a monolithic integrated circuit. The device features high slew rates, low input bias and offset current, and low offset voltage temperature coefficient.

FEATURES

- *Low power consumption
- *Wide common-mode (up to v_{cc}^+) and differential voltage range
- *Low input bias and offset current
- *Low noise $e_n = 15nV / \sqrt{Hz}$ (typ)
- *Output short-circuit protection
- *High input impedance J-FET input stage
- *Low harmonic distortion:0.01%(typ)
- *Internal frequency compensation
- *Latch up free operation
- *High slewrate:16V/ μs (typ)



PIN CONFIGURATIONS



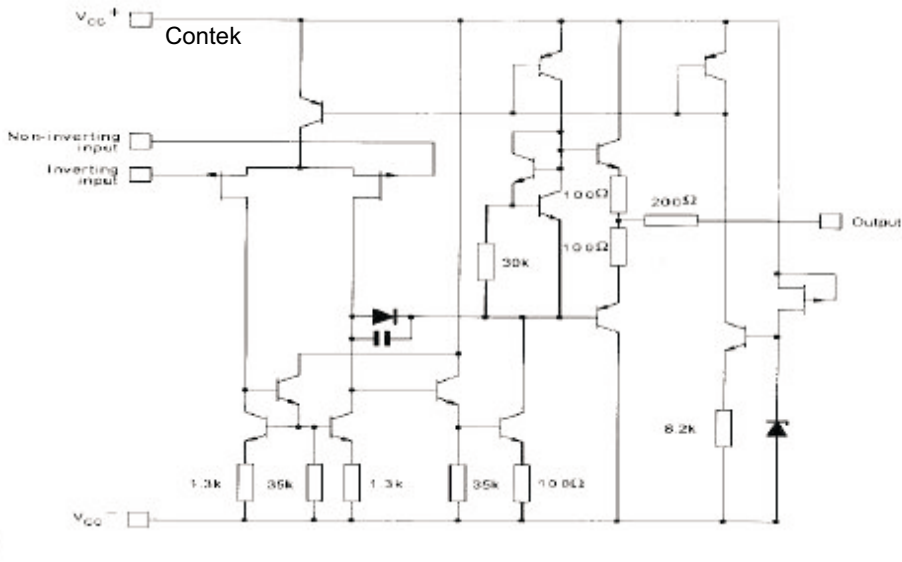
Contek Microelectronics Co.,Ltd.

<http://www.contek-ic.com> E-mail:sales@contek-ic.com

TL072

LINEAR INTEGRATED CIRCUIT

BLOCK DIAGRAM



ABSOLUTE MAXIMUM RATINGS (Ta=25 C)

PARAMETER	SYMBOL	VALUE	UNIT
Supply Voltage (note 1)	Vcc	+ -18	V
Input Voltage (note 2)	Vi	+ -15	V
Differential Input Voltage (note 3)	Vid	+ -30	V
Power Dissipation	Ptot	680	mW
Output Short-Circuit Duration (Note 4)		Infinite	
Operating Free Air Temperature Range	Toper	0 to 70	C
Storage Temperature Range	Tstg	-65 to 150	C

- NOTES: 1. All voltage values, except differential voltage, are with respect to the zero reference level (ground) of the supply voltages where the zero reference level is the midpoint between Vcc- and Vcc+.
2. The magnitude of the input voltage must never exceed the magnitude of the supply voltage or 15 volts, whichever is less.
3. Differential voltages are at the non-inverting input terminal with respect to the inverting input terminal.
4. The output may be shorted to ground or to either supply. Temperature and/or supply voltages must be limited to ensure that the dissipation rating is not exceeded.



Contek Microelectronics Co.,Ltd.

<http://www.contek-ic.com> E-mail:sales@contek-ic.com

TL072

LINEAR INTEGRATED CIRCUIT

Contek TL072C ELECTRICAL CHARACTERISTICS ($V_{CC}=\pm 15V$, $T_a=25\text{ }^{\circ}\text{C}$, unless otherwise specified)

PARAMETER	SYMBOL	MIN	TYP	MAX	UNIT
Input Offset Voltage($R_s=50\Omega$, $T_a=25\text{ }^{\circ}\text{C}$ $T_{min}\leq T_a\leq T_{max}$)	V_{io}		3	10 13	mV
Temperature Coefficient of Input Offset Voltage($R_s=50\Omega$)	D_{vio}		10		$\mu\text{V}/^{\circ}\text{C}$
Input Offset Current* $T_a=25\text{ }^{\circ}\text{C}$ $T_{min}\leq T_a\leq T_{max}$	I_{io}		5	100 10	μA nA
Input Bias Current* $T_a=25\text{ }^{\circ}\text{C}$ $T_{min}\leq T_a\leq T_{max}$	I_{ib}		20	200 20	μA nA
Input Common Mode Voltage	V_{icm}	+11	-12~+15		V
Output Voltage Swing($R_L=10k\Omega$) $T_a=25\text{ }^{\circ}\text{C}$, $R_L=2k\Omega$, $T_a=25\text{ }^{\circ}\text{C}$, $R_L=10k\Omega$ $T_{min}\leq T_a\leq T_{max}$, $R_L=2k\Omega$ $T_{min}\leq T_a\leq T_{max}$, $R_L=10k\Omega$	V_{opp}	10 12 10 12	12 13.5		V
Large Signal Voltage Gain($R_L=10k\Omega$, $V_o=\pm 10V$) $T_a=25\text{ }^{\circ}\text{C}$ $T_{min}\leq T_a\leq T_{max}$	A_{vd}	25 15	200		V/mV
Gain Bandwidth Product($T_a=25\text{ }^{\circ}\text{C}$, $R_L=10k\Omega$, $C_L=100\text{pF}$)	GBP	2.5	4		MHz
Input Resistance	R_i		10^{12}		Ω
Common Mode Rejection Ratio($R_s=50\Omega$) $T_a=25\text{ }^{\circ}\text{C}$ $T_{min}\leq T_a\leq T_{max}$	CMR	70 70	86		dB
Supply Voltage Rejection Ratio($R_s=50\Omega$) $T_a=25\text{ }^{\circ}\text{C}$ $T_{min}\leq T_a\leq T_{max}$	SVR	70 70	86		dB
Supply Current(no load) $T_a=25\text{ }^{\circ}\text{C}$ $T_{min}\leq T_a\leq T_{max}$	I_{cc}		1.4	2.5 2.5	mA
Channel Separation($A_v=100$, $T_a=25\text{ }^{\circ}\text{C}$)	V_{o1}/V_{o2}		120		dB
Output Short-circuit Current $T_a=25\text{ }^{\circ}\text{C}$ $T_{min}\leq T_a\leq T_{max}$	I_{os}	10 10	40	60 60	mA
Slew Rate($V_i=10V$, $R_L=2k\Omega$, $C_L=100\text{pF}$, $T_a=25\text{ }^{\circ}\text{C}$, unity gain)	SR	8	16		V/ μs
Rise Time($V_i=20\text{mV}$, $R_L=2k\Omega$, $C_L=100\text{pF}$, $T_a=25\text{ }^{\circ}\text{C}$, unity gain)	t_r		0.1		μs
Overshoot Factor($V_i=20\text{mV}$, $R_L=2k\Omega$, $C_L=100\text{pF}$, $T_a=25\text{ }^{\circ}\text{C}$, unity gain)	K_{ov}		10		%
Total Harmonic Distortion($A_v=20\text{dB}$, $f=1\text{kHz}$ $R_L=2k\Omega$, $C_L=100\text{pF}$, $T_a=25\text{ }^{\circ}\text{C}$, $V_o=2V_{pp}$)	THD		0.01		%
Phase Margin			45		Degrees
Equivalent Input Noise Voltage($R_s=100\Omega$, $f=1\text{KHz}$)	e_n		15		

*The Input bias currents are junction leakage currents, which approximately double for every 10 $^{\circ}\text{C}$ increase in the junction temperature.



Contek Microelectronics Co.,Ltd.

<http://www.contek-ic.com> E-mail:sales@contek-ic.com

TL072

LINEAR INTEGRATED CIRCUIT

Contek TL072AC ELECTRICAL CHARACTERISTICS($V_{CC}=\pm 15V$, $T_a=25\text{ C}$, unless otherwise specified)

PARAMETER	SYMBOL	MIN	TYP	MAX	UNIT
Input Offset Voltage($R_s=50\Omega$, $T_a=25\text{ C}$ $T_{min}\leq T_a\leq T_{max}$)	V_{io}		3	6 7	mV
Temperature Coefficient of Input Offset Voltage($R_s=50\Omega$)	D_{vio}		10		$\mu V/^\circ C$
Input Offset Current* $T_a=25\text{ C}$ $T_{min}\leq T_a\leq T_{max}$	I_{io}		5	100 4	pA nA
Input Bias Current* $T_a=25\text{ C}$ $T_{min}\leq T_a\leq T_{max}$	I_{ib}		20	200 20	pA nA
Input Common Mode Voltage	V_{icm}	+11	-12~+15		V
Output Voltage Swing($R_L=10k\Omega$) $T_a=25\text{ C}$, $R_L=2k\Omega$, $T_a=25\text{ C}$, $R_L=10k\Omega$ $T_{min}\leq T_a\leq T_{max}$, $R_L=2k\Omega$ $T_{min}\leq T_a\leq T_{max}$, $R_L=10k\Omega$	V_{opp}	10 12 10 12	12 13.5		V
Large Signal Voltage Gain($R_L=10k\Omega$, $V_o=\pm 10V$) $T_a=25\text{ C}$ $T_{min}\leq T_a\leq T_{max}$	A_{vd}	50 25	200		V/mV
Gain Bandwidth Product($T_a=25\text{ C}$, $R_L=10k\Omega$, $C_L=100pF$)	GBP	2.5	4		MHz
Input Resistance	R_i		10^{12}		Ω
Common Mode Rejection Ratio($R_s=50\Omega$) $T_a=25\text{ C}$ $T_{min}\leq T_a\leq T_{max}$	CMR	80 80	86		dB
Supply Voltage Rejection Ratio($R_s=50\Omega$) $T_a=25\text{ C}$ $T_{min}\leq T_a\leq T_{max}$	SVR	80 80	86		dB
Supply Current(no load) $T_a=25\text{ C}$ $T_{min}\leq T_a\leq T_{max}$	I_{cc}		1.4	2.5 2.5	mA
Channel Separation($A_v=100$, $T_a=25\text{ C}$)	V_{o1}/V_{o2}		120		dB
Output Short-circuit Current $T_a=25\text{ C}$ $T_{min}\leq T_a\leq T_{max}$	I_{os}	10 10	40	60 60	mA
Slew Rate($V_i=10V$, $R_L=2k\Omega$, $C_L=100pF$, $T_a=25\text{ C}$, unity gain)	SR	8	16		V/ μs
Rise Time($V_i=20mV$, $R_L=2k\Omega$, $C_L=100pF$, $T_a=25\text{ C}$, unity gain)	t_r		0.1		μs
Overshoot Factor($V_i=20mV$, $R_L=2k\Omega$, $C_L=100pF$, $T_a=25\text{ C}$, unity gain)	K_{ov}		10		%
Total Harmonic Distortion($A_v=20dB$, $f=1kHz$ $R_L=2k\Omega$, $C_L=100pF$, $T_a=25\text{ C}$, $V_o=2V_{pp}$)	THD		0.01		%
Phase Margin			45		Degrees
Equivalent Input Noise Voltage($R_s=100\Omega$, $f=1kHz$)	e_n		15		

*The Input bias currents are junction leakage currents, which approximately double for every 10 $^\circ C$ increase in the junction temperature.



Contek Microelectronics Co.,Ltd.

<http://www.contek-ic.com> E-mail:sales@contek-ic.com

TL072

LINEAR INTEGRATED CIRCUIT

Contek TL072BC ELECTRICAL CHARACTERISTICS (V_{CC}=±15V, T_a=25 °C, unless otherwise specified)

PARAMETER	SYMBOL	MIN	TYP	MAX	UNIT
Input Offset Voltage(R _s =50Ω), T _a =25 °C T _{min} ≤T _a ≤T _{max}	V _{io}		1	3 5	mV
Temperature Coefficient of Input Offset Voltage(R _s =50Ω)	D _{vio}		10		μV/°C
Input Offset Current* T _a =25 °C T _{min} ≤T _a ≤T _{max}	I _{io}		5	100 4	pA nA
Input Bias Current* T _a =25 °C T _{min} ≤T _a ≤T _{max}	I _{ib}		20	200 20	pA nA
Input Common Mode Voltage	V _{icm}	+11	-12~+15		V
Output Voltage Swing(R _L =10kΩ) T _a =25 °C, R _L =2kΩ T _a =25 °C, R _L =10kΩ T _{min} ≤T _a ≤T _{max} , R _L =2kΩ T _{min} ≤T _a ≤T _{max} , R _L =10kΩ	V _{opp}	10 12 10 12	12 13.5		V
Large Signal Voltage Gain(R _L =10kΩ, V _o =±10V) T _a =25 °C T _{min} ≤T _a ≤T _{max}	A _{vd}	50 25	200		V/mV
Gain Bandwidth Product(T _a =25 °C, R _L =10kΩ, C _L =100pF)	GBP	2.5	4		MHz
Input Resistance	R _i		10 ¹²		Ω
Common Mode Rejection Ratio(R _s =50Ω) T _a =25 °C T _{min} ≤T _a ≤T _{max}	CMR	80 80	86		dB
Supply Voltage Rejection Ratio(R _s =50Ω) T _a =25 °C T _{min} ≤T _a ≤T _{max}	SVR	80 80	86		dB
Supply Current(no load) T _a =25 °C T _{min} ≤T _a ≤T _{max}	I _{cc}		1.4	2.5 2.5	mA
Channel Separation(A _v =100, T _a =25 °C)	V _{o1} /V _{o2}		120		dB
Output Short-circuit Current T _a =25 °C T _{min} ≤T _a ≤T _{max}	I _{os}	10 10	40	60 60	mA
Slew Rate(V _i =10V, R _L =2kΩ, C _L =100pF, T _a =25 °C, unity gain)	SR	8	16		V/μs
Rise Time(V _i =20mV, R _L =2kΩ, C _L =100pF, T _a =25 °C, unity gain)	t _r		0.1		μs
Overshoot Factor(V _i =20mV, R _L =2kΩ, C _L =100pF, T _a =25 °C, unity gain)	K _{ov}		10		%
Total Harmonic Distortion(A _v =20dB, f=1kHz, R _L =2kΩ, C _L =100pF, T _a =25 °C, V _o =2V _{pp})	THD		0.01		%
Phase Margin			45		Degrees
Equivalent Input Noise Voltage(R _s =100Ω, f=1KHz)	e _n		15		

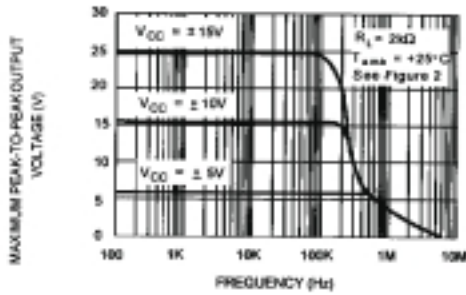
*The Input bias currents are junction leakage currents, which approximately double for every 10 °C increase in the junction temperature.



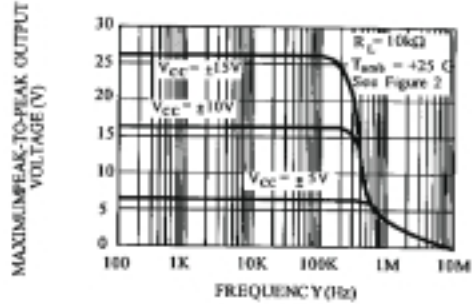
Contek Microelectronics Co.,Ltd.

<http://www.contek-ic.com> E-mail:sales@contek-ic.com

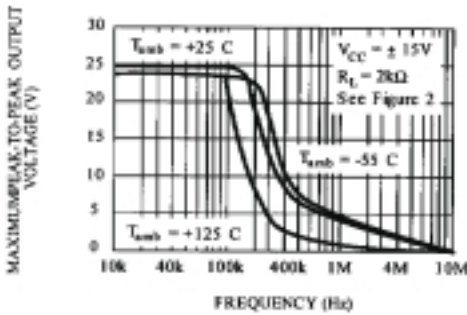
MAXIMUM PEAK-TO-PEAK OUTPUT VOLTAGE VERSUS FREQUENCY



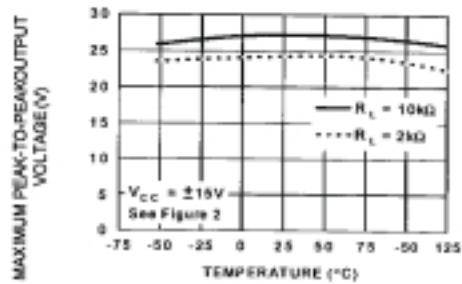
MAXIMUM PEAK-TO-PEAK OUTPUT VOLTAGE VERSUS FREQUENCY



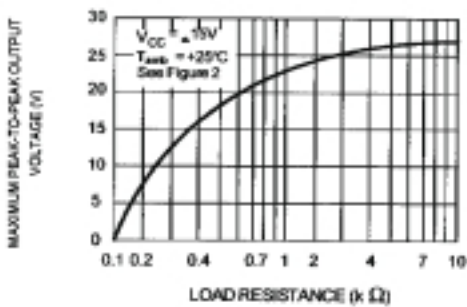
MAXIMUM PEAK-TO-PEAK OUTPUT VOLTAGE VERSUS FREQUENCY



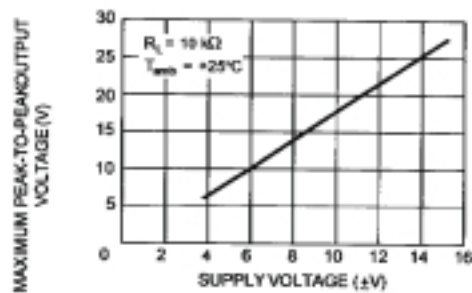
MAXIMUM PEAK-TO-PEAK OUTPUT VOLTAGE VERSUS FREE AIR TEMP.



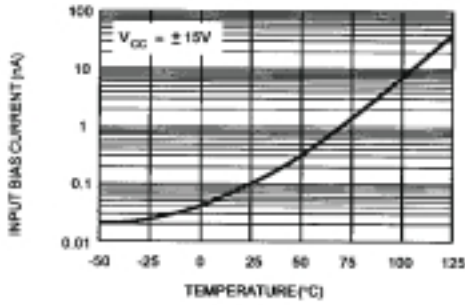
MAXIMUM PEAK-TO-PEAK OUTPUT VOLTAGE VERSUS LOAD RESISTANCE



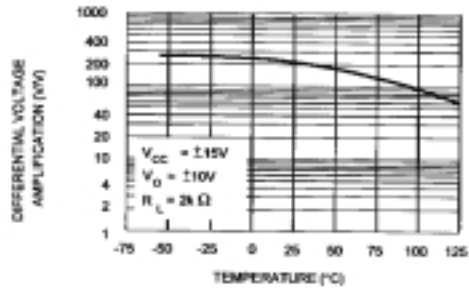
MAXIMUM PEAK-TO-PEAK OUTPUT VOLTAGE VERSUS SUPPLY VOLTAGE



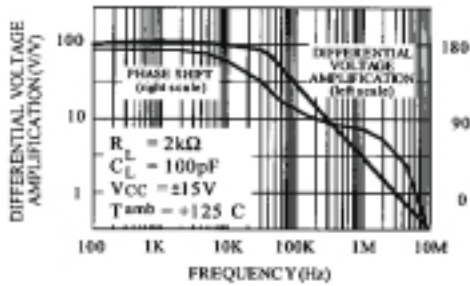
INPUT BIAS CURRENT VERSUS FREE AIR TEMPERATURE



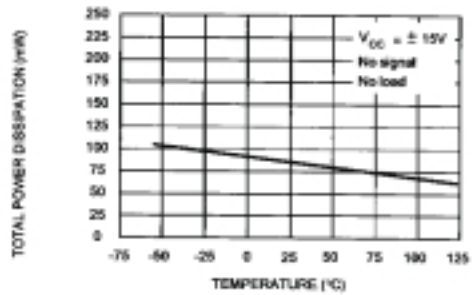
LARGE SIGNAL DIFFERENTIAL VOLTAGE AMPLIFICATION VERSUS FREE AIR TEMPERATURE



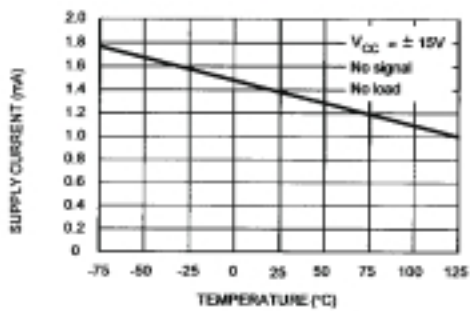
LARGE SIGNAL DIFFERENTIAL VOLTAGE AMPLIFICATION AND PHASE SHIFT VERSUS FREQUENCY



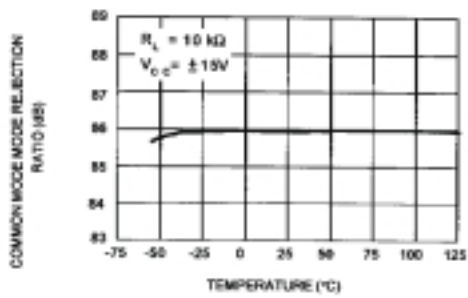
TOTAL POWER DISSIPATION VERSUS FREE AIR TEMPERATURE



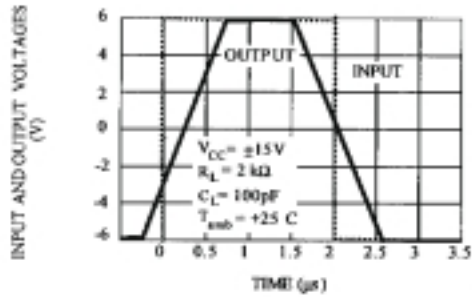
SUPPLY CURRENT PER AMPLIFIER VERSUS FREE AIR TEMPERATURE



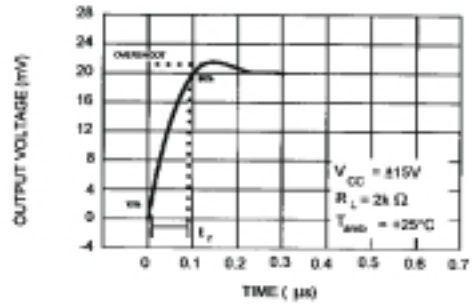
COMMON MODE REJECTION RATIO VERSUS FREE AIR TEMPERATURE



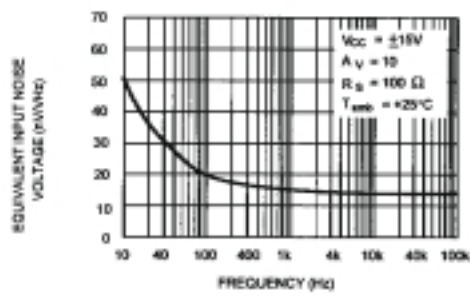
VOLTAGE FOLLOWER LARGE SIGNAL PULSE RESPONSE



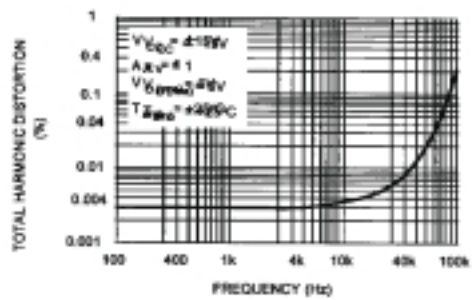
OUTPUT VOLTAGE VERSUS ELAPSED TIME



EQUIVALENT INPUT NOISE VOLTAGE VERSUS FREQUENCY



TOTAL HARMONIC DISTORTION VERSUS FREQUENCY



PARAMETER MEASUREMENT INFORMATION

Figure 1 : Voltage Follower

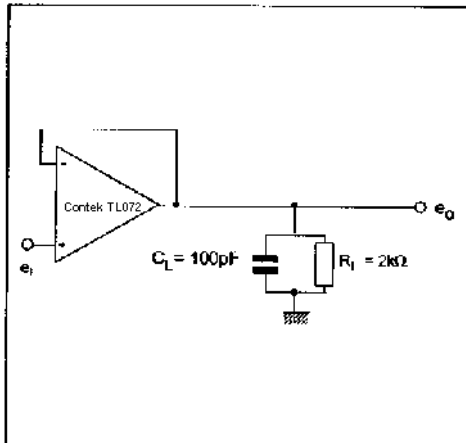


Figure 2 : Gain-of-10 Inverting Amplifier

