



VGA+I/Q Demodulator RFIC

CX74005

Conexant Delivers RF Chipsets for 2G and 3G CDMA Applications

The CX74005 RFIC is a variable gain amplifier (VGA) and In-phase and Quadrature (I/Q) modulator, intended for use in code division multiple access (CDMA) portable phones in the cellular and Personal Communications System (PCS) bands. As a dual-mode IC, it can be used in CDMA mode or advanced mobile phone system (AMPS) mode. In addition, this device can be used for wideband CDMA (WCDMA) applications in the IMT-2000 band.

The intermediate frequencies (IF) are combined through separate buffers at the input of the VGA, depending on the selected mode. The VGA has a gain control range greater than 90 dB. The device has two very high-frequency (VHF) oscillators that operate with external tank circuits. They provide signals to the local oscillator (LO) for the I/Q demodulator in the cellular and PCS bands.

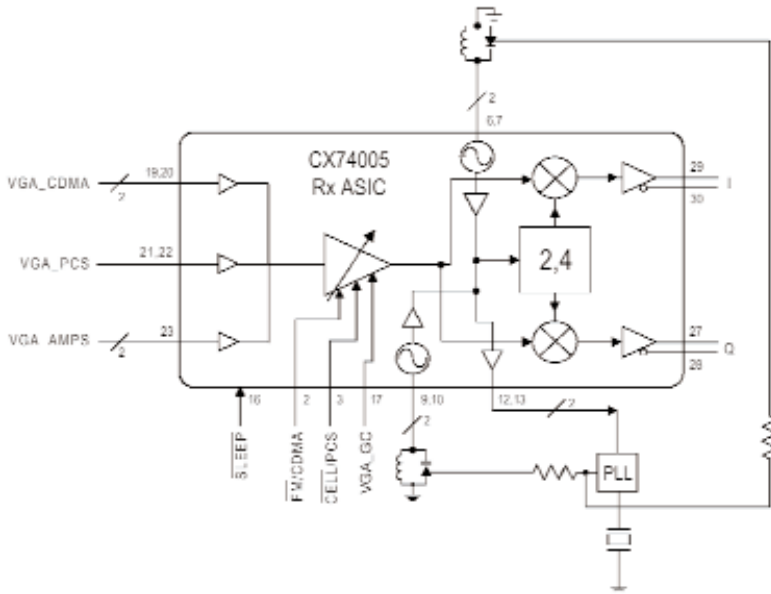
The I/Q demodulator provides a superior gain and phase balance of typically less than 0.2 dB gain and 2° phase imbalances. Employing silicon bipolar technology, the CX74005 is designed for high performance and a high level of integration.

The CX74005, along with Conexant's CX74002 Transmit RFIC, CX74004 LNA/mixer RFIC, a Conexant power amplifier module and Conexant's baseband processor forms a complete RF subsystem that interfaces with the most common cdma baseband devices.

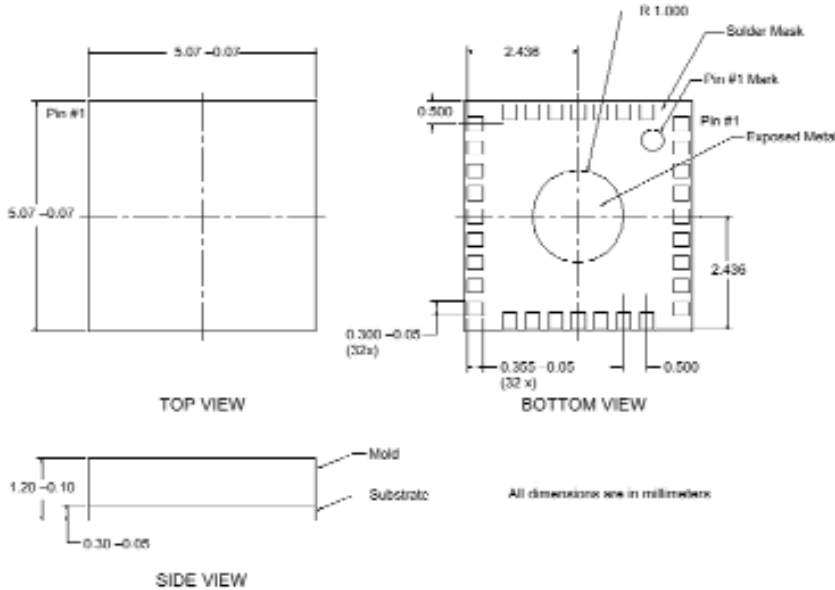


Distinguishing Features

- Tri-mode, dual-band functionality
- Superior gain and phase balance in the I/Q demodulator (0.2 dB + 2° typical)
- 90 dB of dynamic range in the variable gain amplifier
- Three battery-cell operation (2.7V < VCC < 3.6V)
- IF inputs and I/Q outputs
- On-chip 100 to 640 MHz oscillators
- Low-power operation: <20 mA
- 5mm x5mm land grid array (LGA) chip-scale package



CX74005 Rx ASIC block diagram



Package dimensions - 32-pin 5x5mm LGA package

Product Features

- Two on-chip oscillators, one for cellular and one for PCS bands
- Local oscillators for I/Q demodulators are derived by a selectable (2 or 4) frequency divider
- VGA has a minimum dynamic range of 90 db with a control voltage range of 0.2 to 2-7 volts
- The appropriate signal path is switched internally to the device, eliminating the need for off-chip switching

Applications

- Tri-mode handsets
- Cellular- and PCS- band phones
- cdmaOne, cdma2000 and AMPS modes in the following bands:
 - U.S. cellular
 - Japan cellular
 - U.S. PCS
 - Korea PCS
- WCDMA in the IMT-2000 band

Conexant and the Conexant symbol are trademarks of Conexant Systems, Inc.

Further Information

literature@conexant.com
 (800) 854-8099 (North America)
 (949) 483-6996 (International)
 Order # 101068A
 00-0882
 Wireless Communications
 Printed in USA

World Headquarters

Conexant Systems, Inc.
 4311 Jamboree Road
 Newport Beach, CA
 92660-3007
 Phone: (949) 483-4600
 Fax 1: (949) 483-4078
 Fax 2: (949) 483-4391

Americas

U.S. Northwest - Santa Clara

Phone: (408) 249-9696
 Fax: (408) 249-7113

U.S. Southwest - Los Angeles

Phone: (805) 376-0559
 Fax: (805) 376-8180

U.S. Southwest - Newport Beach

Phone: (949) 483-9119
 Fax: (949) 483-9090

U.S. San Diego

Phone: (858) 713-4730
 Fax: (858) 713-4008

U.S. North Central - Illinois

Phone: (630) 773-3454
 Fax: (630) 773-3907

U.S. South Central/Mexico - Texas

Phone: (972) 871-1920
 Fax: (972) 871-8910

U.S. Northeast - Massachusetts

Phone: (978) 367-3200
 Fax: (978) 256-6868

U.S. Carolinas - North Carolina

Phone: (919) 858-9110
 Fax: (919) 858-8669

U.S. Southeast/South America - Florida

Phone: (727) 799-8406
 Fax: (727) 799-8306

U.S. Mid-Atlantic - Pennsylvania

Phone: (215) 244-6784
 Fax: (215) 244-9292

Canada - Ontario

Phone: (613) 271-2358
 Fax: (613) 271-2359

Europe

Europe Central - Germany

Phone: +49 89 829-1320
 Fax: +49 89 834-2734

Europe North - England

Phone: +44 1344 486444
 Fax: +44 1344 486555

Europe - Israel/Greece

Phone: +972 9 9524000
 Fax: +972 9 9573732

Europe South - France

Phone: +33 1 41 44 36 51
 Fax: +33 1 41 44 36 90

Europe Mediterranean - Italy

Phone: +39 02 93179911
 Fax: +39 02 93179913

Europe - Sweden

Phone: +46 (0) 8 5091 4319
 Fax: +46 (0) 8 590 041 10

Europe - Finland

Phone: +358 (0) 9 85 666 435
 Fax: +358 (0) 9 85 666 220

Asia Pacific

Taiwan

Phone: (886-2) 2-720-0282
 Fax: (886-2) 2-757-6760

Australia

Phone: (61-2) 9869 4088
 Fax: (61-2) 9869 4077

China - Central

Phone: 86-21-6361-2515
 Fax: 86-21-6361-2516

China - South

Phone: (852) 2 827-0181
 Fax: (852) 2 827-6488

China - South (Satellite)

Phone: (86) 755-5182495
 Fax: (86) 755-5183024

China - North

Phone: (86-10) 8529-9777
 Fax: (86-10) 8529-9778

India

Phone: (91-11) 692-4789
 Fax: (91-11) 692-4712

Korea

Phone: (82-2) 565-2880
 Fax: (82-2) 565-1440

Korea (Satellite)

Phone: (82-53) 745-2880
 Fax: (82-53) 745-1440

Singapore

Phone: (65) 737 7355
 Fax: (65) 737 9077

Japan

Phone: (81-3) 5371 1520
 Fax: (81-3) 5371 1501