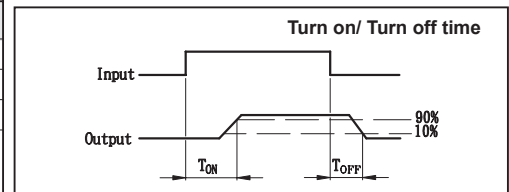
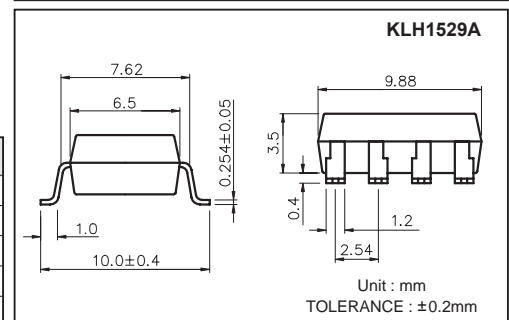
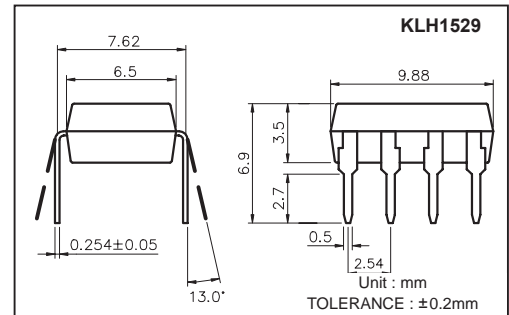


Features

1. Photo Mos Relay and Optocoupler in One Package
2. Control 350VAC or DC Voltage
3. Switch 130mA Loads
4. LED control Current, 5mA
5. Low ON-Resistance
6. dv/dt, >500V/ms
7. Isolation Test Voltage, 3750VACrms



Absolute Maximum Ratings

(Ta=25°C)

Emitter (Input)	Detector (Output)
Reverse Voltage.....5.0V	Output Breakdown Voltage±350V
Continuous Forward Current50mA	Continuous Load Current±130mA
Peak Forward Current1A	Power Dissipation500mW
Power Dissipation100mW	
Derate Linearly from 25°C1.3mW/°C	
General Characteristics	
Isolation Test Voltage3750VACrms	Storage Temperature Range ...-40°C to +125°C
Isolation Resistance	Operating Temperature Range...-30°C to +85°C
Vio=500V, Ta=25°C≥10 ¹⁰ Ω	Junction Temperature.....100°C
Total Power Dissipation550mW	Soldering Temperature,
Derate Linearly from 25°C2.5mW/°C	2mm from case, 10 sec260°C

Electro-optical Characteristics

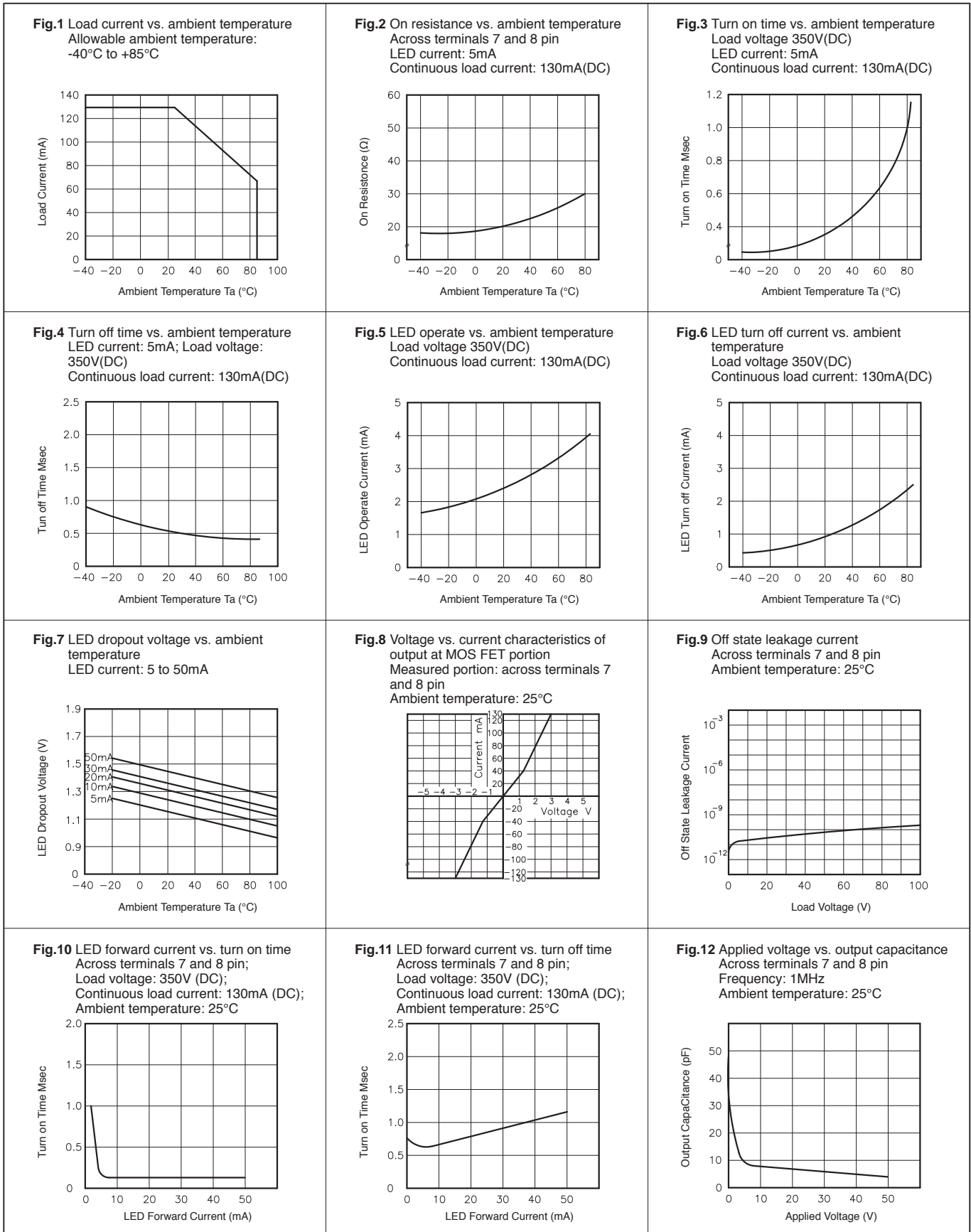
(Ta=25°C)

Parameter	Symbol	Conditions	Min.	Typ.	Max.	Unit
Emitter (Input)						
Forward Voltage	V _F	I _F = 10mA		1.2	1.5	V
Operation Input Current	I _{FON}	V _L = ±20V, I _L = 100mA, t = 10mS			5	mA
Recovery Input Current	I _{FOFF}	V _L = ±20V, I _L ≤ 5uA	0.2			mA
Detector (Output)						
Output Breakdown Voltage	V _B	I _B = 50uA	350			V
Output Off-State Leakage	I _{TOFF}	V _T = 100V, I _F = 0mA		0.2	1	uA
I/O Capacitance	C _{ISO}	I _F = 0, f = 1MHz		6		pF
ON Resistance	R _{ON}	I _L = 100mA, I _F = 10mA		20	30	Ω
Turn-On Time	T _{ON}	I _F = 10mA, V _L = ±20V		0.3	1.0	ms
Turn-Off Time	T _{OFF}	t = 10ms, I _L = ±100mA		0.7	1.5	ms

Mos Relay Schematic and Wiring Diagrams

Type	Schematic	Output configuration	Load	Connection	Wiring Diagrams
KLH1529 & KLH1529A		1a	AC/DC	-	

Data Curve



Absolute Maximum Ratings

(Ta=25°C)

Parameter		Symbol	Rating	Unit
Input	Forward current	IF	±50	mA
	Peak forward current	IFM	±1	A
	Power dissipation	PD	70	mW
Output	Collector-emitter voltage	VCEO	60	V
	Emitter-collector voltage	VECO	6	V
	Collector current	IC	50	mA
	Collector power dissipation	PC	150	mW
Total power dissipation		PTOT	200	mW
Isolation voltage 1 minute		Viso	1500	Vrms
Operating temperature		Topr	-30 to +100	°C
Storage temperature		Tstg	-55 to +125	°C
Soldering temperature 10 second		Tsol	260	°C

Electro-optical Characteristics

(Ta=25°C)

Parameter		Symbol	Conditions	MIN.	TYP.	MAX.	Unit
Input	Forward voltage	VF	IF =± 20mA	—	1.2	1.4	V
	Peak forward voltage	VFM	IFM =± 0.5A	—	—	3.5	V
	Terminal capacitance	Ct	V=0, f=1kHz	—	30	—	pF
Output	Collector dark current	ICEO	VCE =20V, IF =0	—	—	0.1	uA
Transfer characteristics	Current transfer ratio	CTR	IF =± 1mA, VCE =5V	30	100	—	%
	Collector-emitter saturation voltage	VCE (sat)	IF =± 20mA, IC =1mA	—	0.1	0.3	V
	Isolation resistance	Riso	DC500V	5X10 ¹⁰	10 ¹¹	—	ohm
	Floating capacitance	Cf	V=0, f=1MHz	—	0.6	1.0	pF
	Cut-off frequency	fc	VCC =5V, IC=2mA, RL =100ohm	—	80	—	kHz
	Response time (Rise)	tr	VCE=2V, IC=2mA, RL=100ohm	—	5	20	us
	Response time (Fall)	tf		—	4	20	us

Data Curve

