

Features

- Low distortion transformer signal coupling (0.01% max)
- Complete ring detector circuit
- Low power hookswitch
- Electronic inductor/gyrator circuit
- Surge protection
- Transient protection zeners
- Half- (20X0) or Full- (20X1) Wave Detection
- V.32 bis / V.34 compatible
- FCC Compatible
- Compatible with U.S. and Canadian dial up phone lines
- Supports leased-line operation
- PC board mountable

Applications

- Modems
- Fax machines
- Remote data acquisition
- Security systems
- Voice mail systems
- PC motherboard
- Computer telephony
- Process control
- Medical
- PBX
- Direct broadcast satellite

Description

The CYG2000/2001/2010/2011/2020/2021/2030/2031 are Data Access Arrangement (DAA) modules featuring a 350V, 120mA, 15Ω relay used for hookswitch, optocoupler with minimum CTR of 33% for ring detection, and a low distortion transformer with 28.8kbps capabilities.

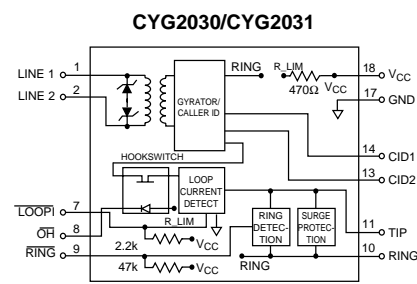
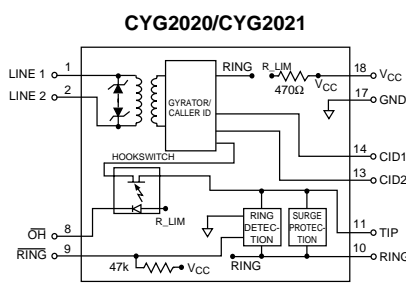
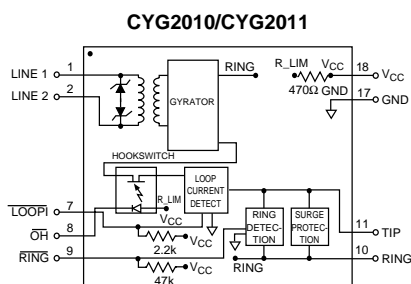
Approvals

- UL recognized file #: E174201

Ordering Information

Part #	Description
CYG2000	DAA Module, Half Wave Ring Detection
CYG2001	DAA Module, Full Wave Ring Detection
CYG2010	DAA Module, Half Wave Ring Detection, Loop Current Detection
CYG2011	DAA Module, Full Wave Ring Detection Loop Current Detection
CYG2020	DAA Module, Half Wave Ring Detection, CID
CYG2021	DAA Module, Full Wave Ring Detection, CID
CYG2030	DAA Module, Half Wave Ring Detection, CID and Loop Current Detection
CYG2031	DAA Module, Full Wave Ring Detection, CID and Loop Current Detection

Block Diagrams



Handling and Assembly Recommendations

The CYG20XX products are not hermetically sealed and should not be exposed to any liquid-based rinsing processes. Clare recommends two (2) approaches. The modem should either use a no clean soldering flux that would mostly evaporate during the normal wave soldering processes, or be soldered in by hand after the rest of the card is wave soldered.

Absolute Maximum Ratings (@ 25° C)

Parameter	Min	Typ	Max	Units
Isolation Voltage	-	-	1000	V _{RMS}
Operational Temperature	0	-	70	°C
Storage Temperature	0	-	70	°C
Relative Humidity (Non-Condensing)	10	-	85	%
Soldering Temperature	-	-	260	°C
Tip/Ring (5, 6) Load current (continuous)	-	-	120	mA
Hookswitch LED Drive Current	-	-	50	mA
Hookswitch LED Reverse Voltage	-	-	5	V
Ring Detect Phototransistor Voltage V _{CC}	-	-	20	V

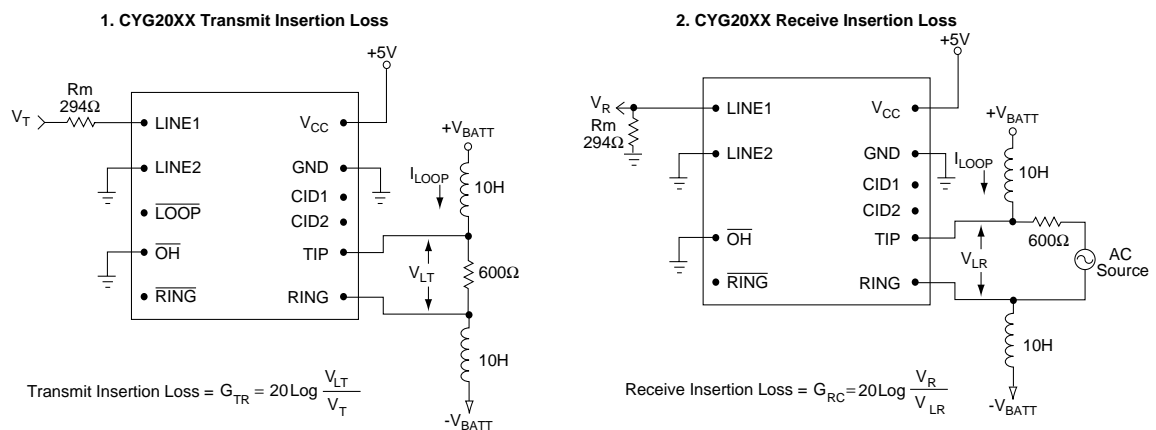
Absolute Maximum Ratings are stress ratings. Stresses in excess of these ratings can cause permanent damage to the device. Functional operation of the device at these or any other conditions beyond those indicated in the operational sections of this data sheet is not implied. Exposure of the device to the absolute maximum ratings for an extended period may degrade the device and effect its reliability.

Electrical Characteristics

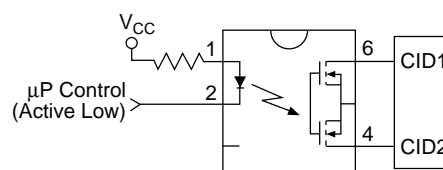
Parameter	Conditions	Min	Typ	Max	Unit
DC Electrical Characteristics					
On-Hook Impedance	@100VDC across pins 10,11 (R,T), per FCC 68.312	10	-	-	MΩ
Off-Hook Line Leakage Current	@100VDC across pins 10,11 (R,T), per FCC 68.312	-	-	10	μA
Hookswitch Resistance	-	-	-	15	Ω
Off-Hook Supply Current	@+5V, V _{CC}	7	8	9	mA
Hookswitch Power Source, Pin 8	-	4.75	5.0	20	V
DC Loop Current	-	20	-	120	mA
AC Signal Path Electrical Characteristics					
Return Loss	300-3500Hz	18	25	-	dB
Insertion Loss	300-3500Hz	-	-	-	-
Transmit	Test Circuit 1	-	-	7	dB
Receive	Test Circuit 2	-	-	7	dB
Frequency Response	300-3500Hz	-0.25	-	+0.25	dB
Longitudinal Balance	-	-	-	-	-
On-Hook	Per FCC 68.310	60	-	-	dB
Off-Hook	Per FCC 68.310	40	-	-	dB
DC Loop Current	-	20	-	120	mA
Total Harmonic Distortion	@600Hz and -10dBm	-	-	0.01	%
Secondary Load Impedance	Line 1 and Line 2	-	294	-	Ω
Primary Source Impedance	Tip and Ring	-	600	-	Ω
Ring Detection Circuit Characteristics					
Ringing Voltage Detection Range	-	20	-	150	V _{rms}
Ringing Frequency Detection Range	-	15	-	70	Hz
Ringer Equivalence Number	-	-	0.8B	-	-
RING (Pin 9) Output Voltage (Pulsed)	V _{CC} @+5V	-	-	-	-
Logic '0', Ring present	-	-	-	0.8	V
Logic '1', Ring not present	-	-	-	V _{CC}	V

Electrical Characteristics (Continued)

Parameter	Conditions	Min	Typ	Max	Unit
Surge, Transient, and Isolation Characteristics					
Surge Protection Voltage Tip and Ring (Pins 11,10)	-	-	-	300	V
Transient Voltage Protection on Line 1 and Line 2 (Pins 1,2)	-	-5	-	+5	V
Isolation Voltage (Pins 1,2,7,8,9,17,18 to10,11,13,14)	Per FCC 68.302	-	-	1000	V _{RMS}
Loop Detection Characteristics (CYG2010/CYG2011/CYG2030/CYG2031)					
Loop Current Detection Threshold	Internal optocoupler with 2.2K Pull-up resistor	9	10	11	mA

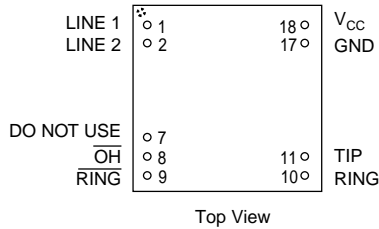
Test Circuits

CYG2020/2021/2030/2031
Caller ID Connections

Pins 13 & 14 should be connected to a 1-Form-A solid state relay (Clare LCA110), as follows:

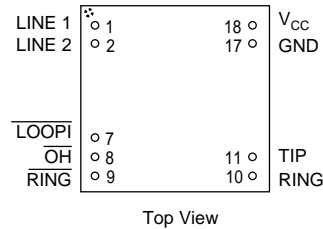


Package Pinouts

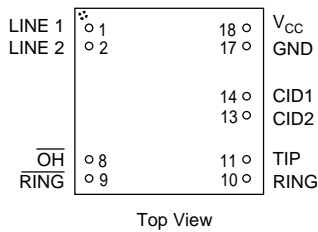
CYG2000/CYG2001



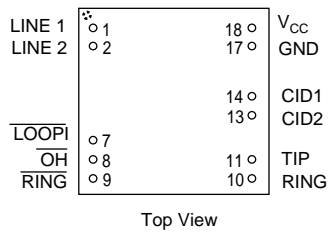
CYG2010/CYG2011



CYG2020/CYG2021



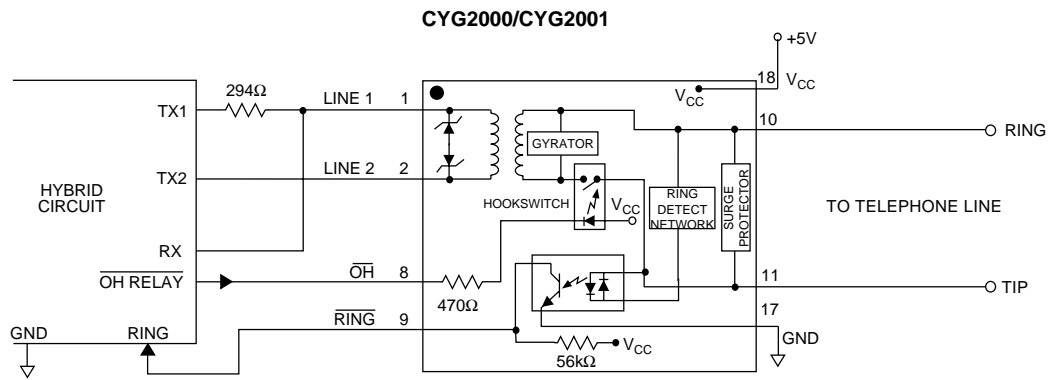
CYG2030/CYG2031



CYG20XX Pinouts & Definitions

PIN#	I/O	Name	Function
1	I/O	LINE1	Transformer isolated audio signal coupling path for the telephone line.
2	I/O	LINE2	Transformer isolated audio signal coupling path for the telephone line.
7	I	LOOP1	When system is off-hook (OH driven LOW) LOOP1 is driven LOW continuously on CYG2010/2011/2030/2031 devices.
		N/C	Keying pin for CYG2000/CYG2001, do not use.
8	I	OH	Driving this pin LOW asserts the off-hook condition. The hookswitch LED is current limited by an internal 470Ω resistor.
9	O	RING	Active LOW indicates an incoming ring signal. This is pulsed LOW by the AC ring signal at the ring frequency from 15-40Hz.
10	I/O	RING	Connection to telephone line Ring conductor.
11	I/O	TIP	Connection to telephone line Tip conductor.
13	O	CID2	Caller ID connection on CYG2020/2021/2030/2031. CID1/CID2 connect to an external 1-Form-A solid state relay (CP Clare LCA110). When the SSR is closed (connecting CID1 to CID2) Caller ID information is presented to LINE1/LINE2 after the first telephone ring burst.
14	O	CID1	Caller ID connection. See CID2 above.
17	I	GND	Connected to host system ground.
18	I	V _{CC}	Provides power to the hookswitch LED. Typically +5V for ≈ 8mA LED current. LED is current limited by an internal 470Ω resistor. V _{CC} should not exceed 20V.

Typical Application





CLARE

MICRO CHIPS.
MACRO SOLUTIONS.

Worldwide Sales Offices

CLARE LOCATIONS

Clare Headquarters
78 Cherry Hill Drive
Beverly, MA 01915
Tel: 1-978-524-6700
Fax: 1-978-524-4900
Toll Free: 1-800-27-CLARE

Clare Micronix Division
145 Columbia
Aliso Viejo, CA 92656-1490
Tel: 1-949-831-4622
Fax: 1-949-831-4628

SALES OFFICES

AMERICAS

Americas Headquarters

Clare
78 Cherry Hill Drive
Beverly, MA 01915
Tel: 1-978-524-6700
Fax: 1-978-524-4900
Toll Free: 1-800-27-CLARE

Eastern Region

Clare
P.O. Box 856
Mahwah, NJ 07430
Tel: 1-201-236-0101
Fax: 1-201-236-8685
Toll Free: 1-800-27-CLARE

Central Region

Clare Canada Ltd.
3425 Harvester Road, Suite 202
Burlington, Ontario L7N 3N1
Tel: 1-905-333-9066
Fax: 1-905-333-1824

Western Region

Clare
1852 West 11th Street, #348
Tracy, CA 95376
Tel: 1-209-832-4367
Fax: 1-209-832-4732
Toll Free: 1-800-27-CLARE

Canada

Clare Canada Ltd.
3425 Harvester Road, Suite 202
Burlington, Ontario L7N 3N1
Tel: 1-905-333-9066
Fax: 1-905-333-1824

EUROPE

European Headquarters

CP Clare nv
Bampsplaan 17
B-3500 Hasselt (Belgium)
Tel: 32-11-300868
Fax: 32-11-300890

France

Clare France Sales
Lead Rep
99 route de Versailles
91160 Champlan
France
Tel: 33 1 69 79 93 50
Fax: 33 1 69 79 93 59

Germany

Clare Germany Sales
ActiveComp Electronic GmbH
Mitterstrasse 12
85077 Manching
Germany
Tel: 49 8459 3214 10
Fax: 49 8459 3214 29

Italy

C.L.A.R.E.s.a.s.
Via C. Colombo 10/A
I-20066 Melzo (Milano)
Tel: 39-02-95737160
Fax: 39-02-95738829

Sweden

Clare Sales
Comptronic AB
Box 167
S-16329 Spånga
Tel: 46-862-10370
Fax: 46-862-10371

United Kingdom

Clare UK Sales
Marco Polo House
Cook Way
Bindon Road
Taunton
UK-Somerset TA2 6BG
Tel: 44-1-823 352541
Fax: 44-1-823 352797

ASIA/PACIFIC

Asian Headquarters

Clare
Room N1016, Chia-Hsin,
Bldg II, 10F, No. 96, Sec. 2
Chung Shan North Road
Taipei, Taiwan R.O.C.
Tel: 886-2-2523-6368
Fax: 886-2-2523-6369

<http://www.clare.com>

Clare cannot assume responsibility for use of any circuitry other than circuitry entirely embodied in this Clare product. No circuit patent licenses nor indemnity are expressed or implied. Clare reserves the right to change the specification and circuitry, without notice at any time. The products described in this document are not intended for use in medical implantation or other direct life support applications where malfunction may result in direct physical harm, injury or death to a person.

Specification: DS-CYG20XX-R1
©Copyright 2000, Clare, Inc.
Cybergate™ is a trademark of Clare, Inc.
All rights reserved. Printed in USA.
1/12/01