



Spread Spectrum FTG for VIA K7 Chipset

Features

- Maximized EMI Suppression using Cypress's Spread Spectrum technology
- Single-chip system frequency synthesizer for VIA K7 chipset
- One pair of differential CPU outputs for K7 Processor
- One open-drain CPU output for VIA K7 chipset
- Six copies of PCI output
- One 48-MHz output for USB
- One 24-MHz or 48-MHz output for SIO
- Two buffered reference outputs
- Thirteen SDRAM outputs provide support for 3 DIMMs
- Supports frequencies up to 200 MHz
- I²C™ interface for programming
- Power management control inputs
- Available in 48-pin SSOP

Key Specifications

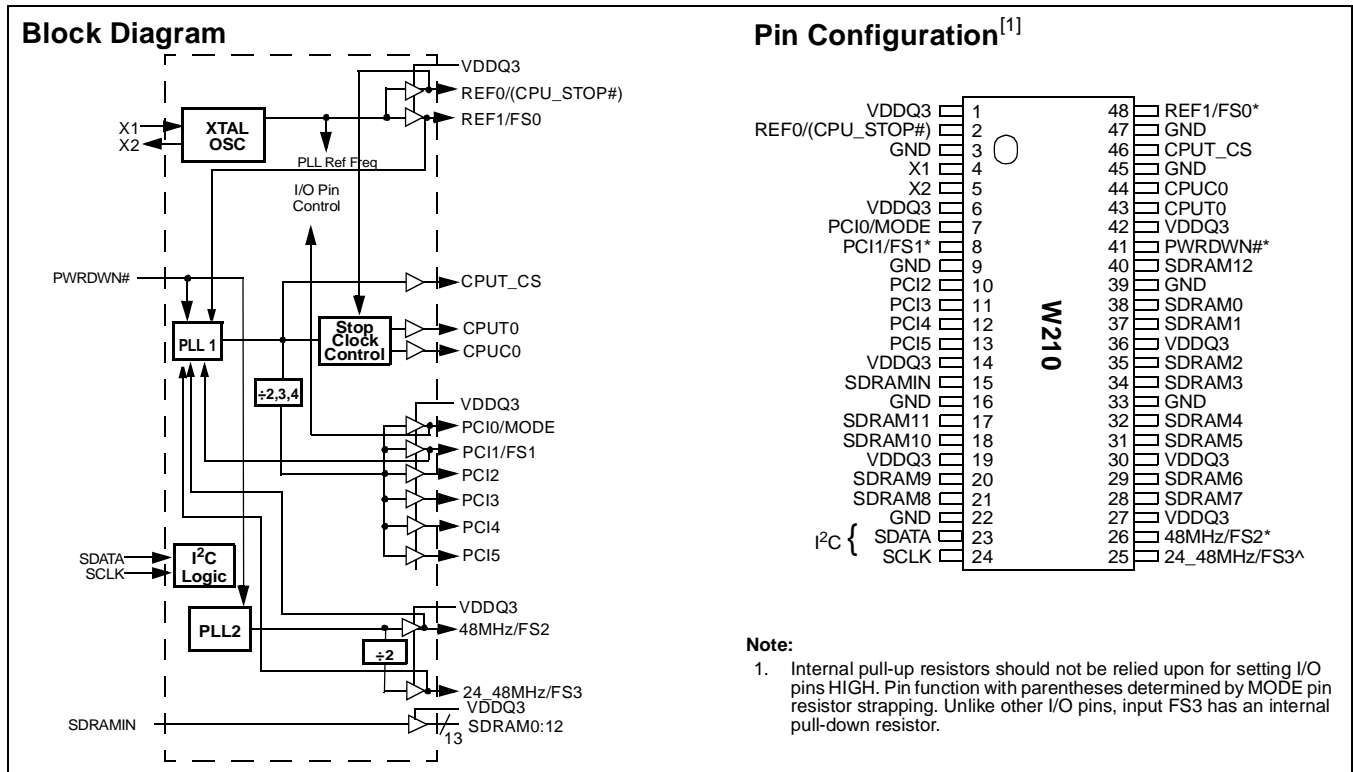
CPU to CPU Output Skew: 175 ps
 PCI to PCI Output Skew: 500 ps
 V_{DDQ3}: 3.3V±5%

Table 1. Mode Input Table

| Mode | Pin 2 |
|------|-----------|
| 0 | CPU_STOP# |
| 1 | REF0 |

Table 2. Pin Selectable Frequency

| Input Address | | | | CPU (MHz) | PCI0:5 (MHz) | Spread Spectrum |
|---------------|-----|-----|-----|-----------|--------------|-----------------|
| FS3 | FS2 | FS1 | FS0 | | | |
| 1 | 1 | 1 | 1 | 133.3 | 33.3 | ±0.5% |
| 1 | 1 | 1 | 0 | 75 | 37.5 | ±0.5% |
| 1 | 1 | 0 | 1 | 100.2 | 33.3 | ±0.5% |
| 1 | 1 | 0 | 0 | 66.8 | 33.4 | ±0.5% |
| 1 | 0 | 1 | 1 | 79 | 39.5 | OFF |
| 1 | 0 | 1 | 0 | 110 | 36.7 | OFF |
| 1 | 0 | 0 | 1 | 115 | 38.3 | OFF |
| 1 | 0 | 0 | 0 | 120 | 30 | OFF |
| 0 | 1 | 1 | 1 | 133.3 | 33.3 | OFF |
| 0 | 1 | 1 | 0 | 83.3 | 27.7 | OFF |
| 0 | 1 | 0 | 1 | 100.2 | 33.3 | OFF |
| 0 | 1 | 0 | 0 | 66.8 | 33.4 | OFF |
| 0 | 0 | 1 | 1 | 124 | 31.0 | OFF |
| 0 | 0 | 1 | 0 | 129 | 32.3 | OFF |
| 0 | 0 | 0 | 1 | 138 | 34.5 | OFF |
| 0 | 0 | 0 | 0 | 143 | 35.8 | OFF |



I²C is a trademark of Philips Corporation.

Note:
 1. Internal pull-up resistors should not be relied upon for setting I/O pins HIGH. Pin function with parentheses determined by MODE pin resistor strapping. Unlike other I/O pins, input FS3 has an internal pull-down resistor.

Pin Definitions

| Pin Name | Pin No. | Pin Type | Pin Description |
|-----------------------------|---|-----------------------|--|
| CPUT0, CPUC0, CPUT_CS | 43, 44, 46 | O (open- drain) | CPU Clock Output 0: CPUT0 and CPUC0 are the differential CPU clock outputs for the K7 processor. CPUT_CS is the open-drain clock output for the chipset. It has the same phase relationship as CPUT0. |
| PCI2:5 | 10, 11, 12, 13 | O | PCI Clock Outputs 2 through 5: These four PCI clock outputs are controlled by the PWRDWN# control pin. Frequency is set by FS0:3 inputs or through serial input interface, see <i>Tables 2 and 6</i> for details. Output voltage swing is controlled by voltage applied to VDDQ3. |
| PCI1/FS1 | 8 | I/O | Fixed PCI Clock Output/Frequency Select 1: As an output, frequency is set by FS0:3 inputs or through serial input interface. This output is controlled by the PWRDWN# input. This pin also serves as a power-on strap option to determine device operating frequency as described in <i>Table 2</i> . |
| PCI0/MODE | 7 | I/O | Fixed PCI Clock Output/Mode: As an output, frequency is set by the FS0:3 inputs or through serial input interface, see <i>Tables 2 and 6</i> . This output is controlled by the PWRDWN# input. This pin also serves as a power-on strap option to determine the function of pin 2, see <i>Table 1</i> for details. |
| PWRDWN# | 41 | I | PWRDWN# Input: LVTTTL-compatible input that places the device in power-down mode when held LOW. In power-down mode, CPUC0 will be three-stated and all the other output clocks will be driven LOW. |
| 48MHz/FS2 | 26 | I/O | 48-MHz Output/Frequency Select 2: 48 MHz is provided in normal operation. In standard PC systems, this output can be used as the reference for the Universal Serial Bus host controller. This pin also serves as a power-on strap option to determine device operating frequency as described in <i>Table 2</i> . |
| 24_48MHz/ FS3 | 25 | I/O | 24_48-MHz Output/Frequency Select 3: In standard PC systems, this output can be used as the clock input for a Super I/O chip. The output frequency is controlled by Configuration Byte 3 bit[6]. The default output frequency is 24 MHz. This pin also serves as a power-on strap option to determine device operating frequency as described in <i>Table 2</i> . |
| REF1/FS0 | 48 | I/O | Reference Clock Output 1/Frequency Select 2: 3.3V 14.318-MHz output clock. This pin also serves as a power-on strap option to determine device operating frequency as described in <i>Table 2</i> . Upon power-up, FS0 input will be latched, which will set clock frequencies as described in <i>Table 2</i> . |
| REF0/ CPU_STOP# | 2 | I/O | Reference Clock Output 0 or CPU_STOP# Input Pin: Function is determined by the MODE pin. When CPU_STOP# input is asserted LOW, it will drive CPUT0 and CPUT_CS to logic 0, and it will three-state CPUC0. When this pin is configured as an output, this pin becomes a 3.3V 14.318-MHz output clock. |
| SDRAMIN | 15 | I | Buffered Input Pin: The signal provided to this input pin is buffered to 13 outputs (SDRAM0:12). |
| SDRAM0:12 | 38, 37, 35, 34, 32, 31, 29, 28, 21, 20, 18, 17, 40 | O | Buffered Outputs: These thirteen dedicated outputs provide copies of the signal provided at the SDRAMIN input. The swing is set by VDDQ3, and they are deactivated when PWRDWN# input is set LOW. |
| SCLK | 24 | I | Clock pin for I ² C circuitry. |
| SDATA | 23 | I/O | Data pin for I ² C circuitry. |
| X1 | 4 | I | Crystal Connection or External Reference Frequency Input: This pin has dual functions. It can be used as an external 14.318-MHz crystal connection or as an external reference frequency input. |
| X2 | 5 | I | Crystal Connection: An input connection for an external 14.318-MHz crystal. If using an external reference, this pin must be left unconnected. |
| VDDQ3 | 1, 6, 14, 19, 27, 30, 36, 42 | P | Power Connection: Power supply for core logic, PLL circuitry, SDRAM outputs, PCI outputs, reference outputs, 48-MHz output, and 24_48-MHz output. Connect to 3.3V supply. |
| GND | 3, 9, 16, 22, 33, 39, 45, 47 | G | Ground Connections: Connect all ground pins to the common system ground plane. |

Overview

The W210 was developed as a single-chip device to meet the clocking needs of VIA K7 core logic chip sets. In addition to the typical outputs provided by a standard FTG, the W210 adds a thirteenth output buffer, supporting SDRAM DIMM modules in conjunction with the chipset.

Cypress's proprietary spread spectrum frequency synthesis technique is a feature of the CPU and PCI outputs. When enabled, this feature reduces the peak EMI measurements of not only the output signals and their harmonics, but also of any other clock signals that are properly synchronized to them.

Functional Description

I/O Pin Operation

Pins 7, 8, 25, 26, and 48 are dual-purpose I/O pins. Upon power-up these pins act as logic inputs, allowing the determination of assigned device functions. A short time after power-up, the logic state of each pin is latched and the pins become clock outputs. This feature reduces device pin count by combining clock outputs with input select pins.

An external 10-k Ω "strapping" resistor is connected between the I/O pin and ground or V_{DD} . Connection to ground sets a latch to "0," connection to V_{DD} sets a latch to "1." *Figure 1* and *Figure 2* show two suggested methods for strapping resistor connections.

Upon W210 power-up, the first 2 ms of operation is used for input logic selection. During this period, the five I/O pins (7, 8, 25, 26, 48) are three-stated, allowing the output strapping resistor on the I/O pins to pull the pins and their associated capacitive clock load to either a logic HIGH or LOW state. At the end of the 2-ms period, the established logic "0" or "1" condition of the I/O pin is latched. Next the output buffer is enabled converting the I/O pins into operating clock outputs. The 2-ms timer starts when V_{DD} reaches 2.0V. The input bits can only be reset by turning V_{DD} off and then back on again.

It should be noted that the strapping resistors have no significant effect on clock output signal integrity. The drive impedance of clock outputs is <40 Ω (nominal), which is minimally affected by the 10-k Ω strap to ground or V_{DD} . As with the series termination resistor, the output strapping resistor should be placed as close to the I/O pin as possible in order to keep the interconnecting trace short. The trace from the resistor to ground or V_{DD} should be kept less than two inches in length to prevent system noise coupling during input logic sampling.

When the clock outputs are enabled following the 2-ms input period, the specified output frequency is delivered on the pin, assuming that V_{DD} has stabilized. If V_{DD} has not yet reached full value, output frequency initially may be below target but will increase to target once V_{DD} voltage has stabilized. In either case, a short output clock cycle may be produced from the CPU clock outputs when the outputs are enabled.

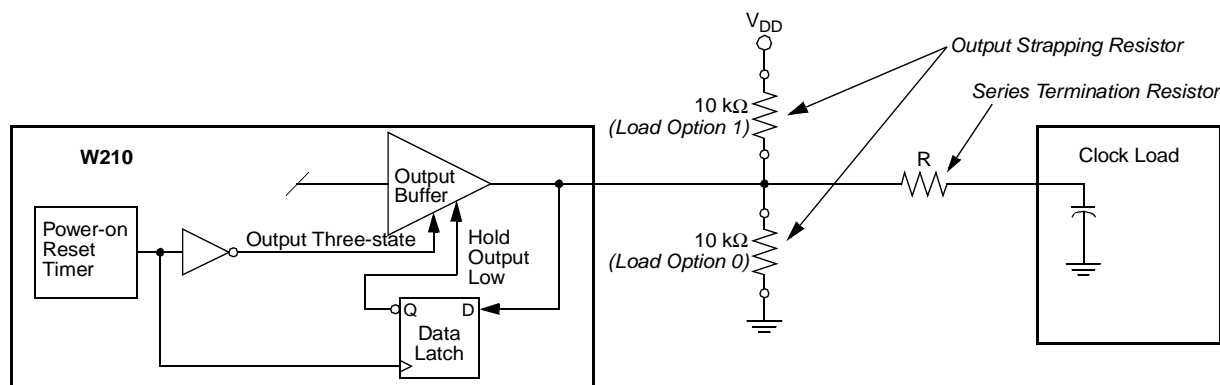


Figure 1. Input Logic Selection Through Resistor Load Option

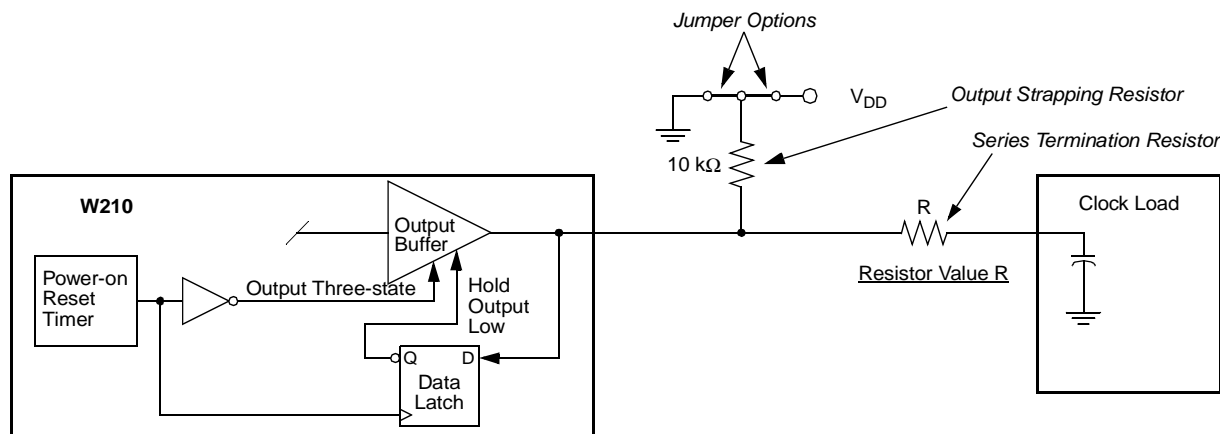


Figure 2. Input Logic Selection Through Jumper Option

Spread Spectrum Frequency Timing Generator

The device generates a clock that is frequency modulated in order to increase the bandwidth that it occupies. By increasing the bandwidth of the fundamental and its harmonics, the amplitudes of the radiated electromagnetic emissions are reduced. This effect is depicted in *Figure 3*.

As shown in *Figure 3*, a harmonic of a modulated clock has a much lower amplitude than that of an unmodulated signal. The reduction in amplitude is dependent on the harmonic number and the frequency deviation or spread. The equation for the reduction is:

$$dB = 6.5 + 9 \cdot \log_{10}(P) + 9 \cdot \log_{10}(F)$$

Where *P* is the percentage of deviation and *F* is the frequency in MHz where the reduction is measured.

The output clock is modulated with a waveform depicted in *Figure 4*. This waveform, as discussed in "Spread Spectrum Clock Generation for the Reduction of Radiated Emissions" by Bush, Fessler, and Hardin produces the maximum reduction in the amplitude of radiated electromagnetic emissions. The deviation selected for this chip is specified in *Table 6*. *Figure 4* details the Cypress spreading pattern. Cypress does offer options with more spread and greater EMI reduction. Contact your local Sales representative for details on these devices.

Spread Spectrum clocking is activated or deactivated by selecting the appropriate values for bits 1–0 in data byte 0 of the I²C data stream. Refer to *Table 6* for more details.

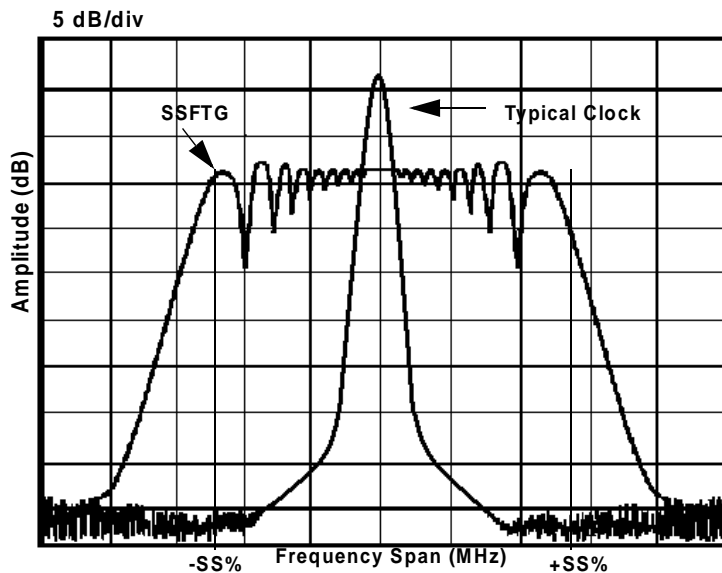


Figure 3. Clock Harmonic with and without SSCG Modulation Frequency Domain Representation

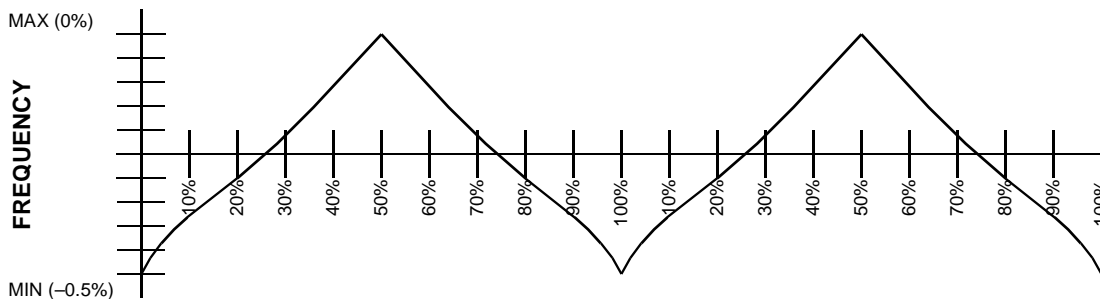


Figure 4. Typical Modulation Profile

Serial Data Interface

The W210 features a two-pin, serial data interface that can be used to configure internal register settings that control particular device functions. Upon power-up, the W210 initializes with default register settings, therefore the use of this serial data interface is optional. The serial interface is write-only (to the clock chip) and is the dedicated function of device pins SDATA and SCLOCK. In motherboard applications, SDATA and SCLOCK are typically driven by two logic outputs of the

chipset. Clock device register changes are normally made upon system initialization, if any are required. The interface can also be used during system operation for power management functions. *Table 3* summarizes the control functions of the serial data interface.

Operation

Data is written to the W210 in eleven bytes of eight bits each. Bytes are written in the order shown in *Table 4*.

Table 3. Serial Data Interface Control Functions Summary

| Control Function | Description | Common Application |
|-------------------------------|--|--|
| Clock Output Disable | Any individual clock output(s) can be disabled. Disabled outputs are actively held LOW. | Unused outputs are disabled to reduce EMI and system power. Examples are clock outputs to unused PCI slots. |
| CPU Clock Frequency Selection | Provides CPU/PCI frequency selections through software. Frequency is changed in a smooth and controlled fashion. | For alternate microprocessors and power management options. Smooth frequency transition allows CPU frequency change under normal system operation. |
| Spread Spectrum Enabling | Enables or disables spread spectrum clocking. | For EMI reduction. |
| Output Three-state | Puts clock output into a high impedance state. | Production PCB testing. |
| (Reserved) | Reserved function for future device revision or production device testing. | No user application. Register bit must be written as 0. |

Table 4. Byte Writing Sequence

| Byte Sequence | Byte Name | Bit Sequence | Byte Description |
|---------------|---------------|-------------------------|---|
| 1 | Slave Address | 11010010 | Commands the W210 to accept the bits in Data Bytes 0–6 for internal register configuration. Since other devices may exist on the same common serial data bus, it is necessary to have a specific slave address for each potential receiver. The slave receiver address for the W210 is 11010010. Register setting will not be made if the Slave Address is not correct (or is for an alternate slave receiver). |
| 2 | Command Code | Don't Care | Unused by the W210, therefore bit values are ignored ("Don't Care"). This byte must be included in the data write sequence to maintain proper byte allocation. The Command Code Byte is part of the standard serial communication protocol and may be used when writing to another addressed slave receiver on the serial data bus. |
| 3 | Byte Count | Don't Care | Unused by the W210, therefore bit values are ignored ("Don't Care"). This byte must be included in the data write sequence to maintain proper byte allocation. The Byte Count Byte is part of the standard serial communication protocol and may be used when writing to another addressed slave receiver on the serial data bus. |
| 4 | Data Byte 0 | Refer to <i>Table 5</i> | The data bits in Data Bytes 0–7 set internal W210 registers that control device operation. The data bits are only accepted when the Address Byte bit sequence is 11010010, as noted above. For description of bit control functions, refer to <i>Table 5</i> , Data Byte Serial Configuration Map. |
| 5 | Data Byte 1 | | |
| 6 | Data Byte 2 | | |
| 7 | Data Byte 3 | | |
| 8 | Data Byte 4 | | |
| 9 | Data Byte 5 | | |
| 10 | Data Byte 6 | | |
| 11 | Data Byte 7 | | |

Writing Data Bytes

Each bit in the data bytes controls a particular device function except for the “reserved” bits, which must be written as a logic 0. Bits are written MSB (most significant bit) first, which is bit

7. Table 5 gives the bit formats for registers located in Data Bytes 0–7.

Table 6 details additional frequency selections that are available through the serial data interface.

Table 5. Data Bytes 0–7 Serial Configuration Map

| Bit(s) | Affected Pin | | Control Function | Bit Control | | Default |
|--------------------|----------------|-----------|--|-------------|--------------|---------|
| | Pin No. | Pin Name | | 0 | 1 | |
| Data Byte 0 | | | | | | |
| 7 | -- | -- | (Reserved) | -- | -- | 0 |
| 6 | -- | -- | SEL_2 | See Table 6 | | 0 |
| 5 | -- | -- | SEL_1 | See Table 6 | | 0 |
| 4 | -- | -- | SEL_0 | See Table 6 | | 0 |
| 3 | -- | -- | Hardware/Software Frequency Select | Hardware | Software | 0 |
| 2 | -- | -- | SEL_4 | See Table 6 | | 1 |
| 1 | -- | -- | SEL_3 | See Table 6 | | 0 |
| 0 | -- | -- | (Reserved) | Normal | Three-stated | 0 |
| Data Byte 1 | | | | | | |
| 7 | -- | -- | (Reserved) | -- | -- | 0 |
| 6 | -- | -- | (Reserved) | -- | -- | 0 |
| 5 | -- | -- | (Reserved) | -- | -- | 0 |
| 4 | -- | -- | (Reserved) | -- | -- | 0 |
| 3 | -- | -- | (Reserved) Write to ‘1’ | -- | -- | 1 |
| 2 | -- | -- | (Reserved) Write to ‘1’ | -- | -- | 1 |
| 1 | -- | -- | (Reserved) Write to ‘1’ | -- | -- | 1 |
| 0 | -- | -- | (Reserved) Write to ‘1’ | -- | -- | 1 |
| Data Byte 2 | | | | | | |
| 7 | -- | -- | (Reserved) | -- | -- | 0 |
| 6 | 7 | PCI0 | Clock Output Disable | Low | Active | 1 |
| 5 | -- | -- | (Reserved) | -- | -- | 0 |
| 4 | 13 | PCI5 | Clock Output Disable | Low | Active | 1 |
| 3 | 12 | PCI4 | Clock Output Disable | Low | Active | 1 |
| 2 | 11 | PCI3 | Clock Output Disable | Low | Active | 1 |
| 1 | 10 | PCI2 | Clock Output Disable | Low | Active | 1 |
| 0 | 8 | PCI1 | Clock Output Disable | Low | Active | 1 |
| Data Byte 3 | | | | | | |
| 7 | -- | -- | (Reserved) | -- | -- | 0 |
| 6 | -- | SEL_48MHz | SEL_48MHz as the output frequency for 24_48MHz | 24 MHz | 48 MHz | 0 |
| 5 | 26 | 48MHz | Clock Output Disable | Low | Active | 1 |
| 4 | 25 | 24_48MHz | Clock Output Disable | Low | Active | 1 |
| 3 | -- | -- | (Reserved) | -- | -- | 0 |
| 2 | 21, 20, 18, 17 | SDRAM8:11 | Clock Output Disable | Low | Active | 1 |

Table 5. Data Bytes 0–7 Serial Configuration Map (continued)

| Bit(s) | Affected Pin | | Control Function | Bit Control | | Default |
|--------------------|-------------------|----------|----------------------|-------------|--------|---------|
| | Pin No. | Pin Name | | 0 | 1 | |
| 1 | 32, 31, 29, 28 | SDRAM4:7 | Clock Output Disable | Low | Active | 1 |
| 0 | 38, 37, 35, 34 | SDRAM0:3 | Clock Output Disable | Low | Active | 1 |
| Data Byte 4 | | | | | | |
| 7 | -- | -- | (Reserved) | -- | -- | 0 |
| 6 | -- | -- | (Reserved) | -- | -- | 0 |
| 5 | -- | -- | (Reserved) | -- | -- | 0 |
| 4 | -- | -- | (Reserved) | -- | -- | 0 |
| 3 | -- | -- | (Reserved) | -- | -- | 0 |
| 2 | -- | -- | (Reserved) | -- | -- | 0 |
| 1 | -- | -- | (Reserved) | -- | -- | 0 |
| 0 | -- | -- | (Reserved) | -- | -- | 0 |
| Data Byte 5 | | | | | | |
| 7 | -- | -- | (Reserved) | -- | -- | 0 |
| 6 | -- | -- | (Reserved) | -- | -- | 0 |
| 5 | -- | -- | (Reserved) | -- | -- | 0 |
| 4 | -- | -- | (Reserved) | -- | -- | 1 |
| 3 | -- | -- | (Reserved) | -- | -- | 0 |
| 2 | -- | -- | (Reserved) | -- | -- | 0 |
| 1 | 48 | REF1 | Clock Output Disable | Low | Active | 1 |
| 0 | 2 | REF0 | Clock Output Disable | Low | Active | 1 |
| Data Byte 6 | | | | | | |
| 7 | -- | -- | (Reserved) | -- | -- | 0 |
| 6 | -- | -- | (Reserved) | -- | -- | 0 |
| 5 | -- | -- | (Reserved) | -- | -- | 0 |
| 4 | -- | -- | (Reserved) | -- | -- | 0 |
| 3 | -- | -- | (Reserved) | -- | -- | 0 |
| 2 | -- | -- | (Reserved) | -- | -- | 0 |
| 1 | -- | -- | (Reserved) | -- | -- | 0 |
| 0 | -- | -- | (Reserved) | -- | -- | 0 |
| Data Byte 7 | | | | | | |
| 7 | -- | -- | (Reserved) | -- | -- | 0 |
| 6 | -- | -- | (Reserved) | -- | -- | 0 |
| 5 | -- | -- | (Reserved) | -- | -- | 0 |
| 4 | -- | -- | (Reserved) | -- | -- | 0 |
| 3 | -- | -- | (Reserved) | -- | -- | 0 |
| 2 | -- | -- | (Reserved) | -- | -- | 0 |
| 1 | -- | -- | (Reserved) | -- | -- | 0 |
| 0 | -- | -- | (Reserved) | -- | -- | 0 |

Table 6. Additional Frequency Selections through Serial Data Interface Data Bytes

| Input Conditions | | | | | Output Frequency | | |
|------------------------|----------------|----------------|----------------|----------------|------------------|------|-----------------|
| Data Byte 0, Bit 3 = 1 | | | | | CPU | PCI | Spread Spectrum |
| Bit 2 SEL_4 | Bit 1 SEL_3 | Bit 6 SEL_2 | Bit 5 SEL_1 | Bit 4 SEL_0 | | | |
| 1 | 1 | 1 | 1 | 1 | 133.3 | 33.3 | ±0.5% |
| 1 | 1 | 1 | 1 | 0 | 75 | 37.5 | ±0.5% |
| 1 | 1 | 1 | 0 | 1 | 100.2 | 33.3 | ±0.5% |
| 1 | 1 | 1 | 0 | 0 | 66.8 | 33.4 | ±0.5% |
| 1 | 1 | 0 | 1 | 1 | 79 | 39.5 | OFF |
| 1 | 1 | 0 | 1 | 0 | 110 | 36.7 | OFF |
| 1 | 1 | 0 | 0 | 1 | 115 | 38.3 | OFF |
| 1 | 1 | 0 | 0 | 0 | 120 | 30 | OFF |
| 1 | 0 | 1 | 1 | 1 | 133.3 | 33.3 | OFF |
| 1 | 0 | 1 | 1 | 0 | 83.3 | 27.7 | OFF |
| 1 | 0 | 1 | 0 | 1 | 100.2 | 33.3 | OFF |
| 1 | 0 | 1 | 0 | 0 | 66.8 | 33.4 | OFF |
| 1 | 0 | 0 | 1 | 1 | 124 | 31.0 | OFF |
| 1 | 0 | 0 | 1 | 0 | 129 | 32.3 | OFF |
| 1 | 0 | 0 | 0 | 1 | 138 | 34.5 | OFF |
| 1 | 0 | 0 | 0 | 0 | 143 | 35.8 | OFF |
| 0 | 1 | 1 | 1 | 1 | 85 | 28.3 | OFF |
| 0 | 1 | 1 | 1 | 0 | 87.5 | 29.2 | OFF |
| 0 | 1 | 1 | 0 | 1 | 90 | 30 | OFF |
| 0 | 1 | 1 | 0 | 0 | 92.5 | 30.8 | OFF |
| 0 | 1 | 0 | 1 | 1 | 95 | 31.7 | OFF |
| 0 | 1 | 0 | 1 | 0 | 147 | 36.8 | OFF |
| 0 | 1 | 0 | 0 | 1 | 152 | 30.4 | OFF |
| 0 | 1 | 0 | 0 | 0 | 154 | 30.8 | OFF |
| 0 | 0 | 1 | 1 | 1 | 157 | 31.4 | OFF |
| 0 | 0 | 1 | 1 | 0 | 159 | 31.8 | OFF |
| 0 | 0 | 1 | 0 | 1 | 162 | 32.4 | OFF |
| 0 | 0 | 1 | 0 | 0 | 166 | 33.2 | OFF |
| 0 | 0 | 0 | 1 | 1 | 171 | 34.2 | OFF |
| 0 | 0 | 0 | 1 | 0 | 180 | 36 | OFF |
| 0 | 0 | 0 | 0 | 1 | 190 | 38 | OFF |
| 0 | 0 | 0 | 0 | 0 | 200 | 40 | OFF |

Absolute Maximum Ratings

Stresses greater than those listed in this table may cause permanent damage to the device. These represent a stress rating only. Operation of the device at these or any other conditions

above those specified in the operating sections of this specification is not implied. Maximum conditions for extended periods may affect reliability.

| Parameter | Description | Rating | Unit |
|------------------|--|--------------|------|
| V_{DD}, V_{IN} | Voltage on any pin with respect to GND | -0.5 to +7.0 | V |
| T_{STG} | Storage Temperature | -65 to +150 | °C |
| T_B | Ambient Temperature under Bias | -55 to +125 | °C |
| T_A | Operating Temperature | 0 to +70 | °C |
| ESD_{PROT} | Input ESD Protection | 2 (min.) | kV |

DC Electrical Characteristics: $T_A = 0^\circ\text{C}$ to $+70^\circ\text{C}$, $V_{DDQ3} = 3.3\text{V} \pm 5\%$

| Parameter | Description | Test Condition | Min. | Typ. | Max. | Unit | |
|-----------------------|-----------------------------------|---|------------------------|------|----------------|------|----|
| Supply Current | | | | | | | |
| I_{DD} | 3.3V Supply Current | CPU0, CPUC0, CPU_CS = 100 MHz Outputs Loaded ^[2] | | 260 | | mA | |
| I_{DD} | 2.5V Supply Current | CPU0, CPUC0, CPU_CS = 100 MHz Outputs Loaded ^[2] | | 25 | | mA | |
| Logic Inputs | | | | | | | |
| V_{IL} | Input Low Voltage | | GND - 0.3 | | 0.8 | V | |
| V_{IH} | Input High Voltage | | 2.0 | | $V_{DD} + 0.3$ | V | |
| I_{IL} | Input Low Current ^[3] | | | | -25 | μA | |
| I_{IH} | Input High Current ^[3] | | | | 10 | μA | |
| Clock Outputs | | | | | | | |
| V_{OL} | Output Low Voltage | $I_{OL} = 1$ mA | | | 50 | mV | |
| V_{OH} | Output High Voltage | $I_{OH} = -1$ mA | 3.1 | | | V | |
| V_{OL} | Output Low Voltage | CPU0_CS, CPU0, CPUC0 Termination to V pull-up (external) | 0 | | 0.3 | V | |
| V_{OH} | Output High Voltage | CPU0_CS, CPU0, CPUC0 Termination to V pull-up (external) | 1.0 | | 1.2 | V | |
| I_{OL} | Output Low Current | PCI0:5 | $V_{OL} = 1.5\text{V}$ | 70 | 110 | 135 | mA |
| | | REF0:1 | $V_{OL} = 1.5\text{V}$ | 50 | 70 | 100 | mA |
| | | 48 MHz | $V_{OL} = 1.5\text{V}$ | 50 | 70 | 100 | mA |
| | | 24 MHz | $V_{OL} = 1.5\text{V}$ | 50 | 70 | 100 | mA |
| | | SDRAM0:12 | $V_{OL} = 1.5\text{V}$ | 70 | 110 | 135 | mA |
| I_{OH} | Output High Current | PCI0:5 | $V_{OH} = 1.5\text{V}$ | 70 | 110 | 135 | mA |
| | | REF0:1 | $V_{OH} = 1.5\text{V}$ | 50 | 70 | 100 | mA |
| | | 48 MHz | $V_{OH} = 1.5\text{V}$ | 50 | 70 | 100 | mA |
| | | 24 MHz | $V_{OH} = 1.5\text{V}$ | 50 | 70 | 100 | mA |
| | | SDRAM0:12 | $V_{OH} = 1.5\text{V}$ | 70 | 110 | 135 | mA |

Notes:

- All clock outputs loaded with 6" 60Ω transmission lines with 22-pF capacitors.
- W210 logic inputs (except FS3) have internal pull-up devices (pull-ups not full CMOS level). Logic input FS3 has an internal pull-down device.

DC Electrical Characteristics: $T_A = 0^\circ\text{C to } +70^\circ\text{C}$, $V_{DDQ3} = 3.3\text{V}\pm 5\%$ (continued)

| Parameter | Description | Test Condition | Min. | Typ. | Max. | Unit |
|-----------------------------------|--|--------------------------|------|------|------|------|
| Crystal Oscillator | | | | | | |
| V_{TH} | X1 Input Threshold Voltage ^[4] | $V_{DDQ3} = 3.3\text{V}$ | | 1.65 | | V |
| C_{LOAD} | Load Capacitance, Imposed on External Crystal ^[5] | | | 14 | | pF |
| $C_{IN,X1}$ | X1 Input Capacitance ^[6] | Pin X2 unconnected | | 28 | | pF |
| Pin Capacitance/Inductance | | | | | | |
| C_{IN} | Input Pin Capacitance | Except X1 and X2 | | | 5 | pF |
| C_{OUT} | Output Pin Capacitance | | | | 6 | pF |
| L_{IN} | Input Pin Inductance | | | | 7 | nH |

AC Electrical Characteristics
 $T_A = 0^\circ\text{C to } +70^\circ\text{C}$, $V_{DDQ3} = 3.3\text{V}\pm 5\%$

AC clock parameters are tested and guaranteed over stated operating conditions using the stated lump capacitive load at the clock output; Spread Spectrum is disabled.

CPU Clock Outputs (CPUT0, CPUC0, CPUT_CS)^[7]

| Parameter | Description | Test Condition/Comments | CPU = 100 MHz | | | CPU = 133 MHz | | | Unit |
|-----------|--|---|---------------|------|------|---------------|------|------|----------|
| | | | Min. | Typ. | Max. | Min. | Typ. | Max. | |
| t_R | Output Rise Edge Rate | | | 1.0 | | | 1.0 | | V/ns |
| t_F | Output Fall Edge Rate | | | 1.0 | | | 1.0 | | V/ns |
| t_D | Duty Cycle | Measured at 50% point | | 50 | | | 50 | | % |
| t_{JC} | Jitter, Cycle to Cycle | | | 250 | | | 250 | | ps |
| f_{ST} | Frequency Stabilization from Power-up (cold start) | Assumes full supply voltage reached within 1 ms from power-up. Short cycles exist prior to frequency stabilization. | | | 3 | | | 3 | ms |
| Z_O | AC Output Impedance | $V_O = V_X$ | | 50 | | | 50 | | Ω |

Notes:

- X1 input threshold voltage (typical) is $V_{DD}/2$.
- The W210 contains an internal crystal load capacitor between pin X1 and ground and another between pin X2 and ground. Total load placed on crystal is 14 pF; this includes typical stray capacitance of short PCB traces to crystal.
- X1 input capacitance is applicable when driving X1 with an external clock source (X2 is left unconnected).
- Refer to *Figure 5* for K7 operation clock driver test circuit.

PCI Clock Outputs, PCI0:5 (Lump Capacitance Test Load = 30 pF)

| Parameter | Description | Test Condition/Comments | Min. | Typ. | Max. | Unit |
|-----------|--|---|------|------|------|----------|
| t_P | Period | Measured on rising edge at 1.5V | 30 | | | ns |
| t_H | High Time | Duration of clock cycle above 2.4V | 12 | | | ns |
| t_L | Low Time | Duration of clock cycle below 0.4V | 12 | | | ns |
| t_R | Output Rise Edge Rate | Measured from 0.4V to 2.4V | 1 | | 4 | V/ns |
| t_F | Output Fall Edge Rate | Measured from 2.4V to 0.4V | 1 | | 4 | V/ns |
| t_D | Duty Cycle | Measured on rising and falling edge at 1.5V | 45 | | 55 | % |
| t_{JC} | Jitter, Cycle-to-Cycle | Measured on rising edge at 1.5V. Maximum difference of cycle time between two adjacent cycles. | | | 250 | ps |
| t_{SK} | Output Skew | Measured on rising edge at 1.5V | | | 500 | ps |
| t_O | CPU to PCI Clock Skew | Covers all CPU/PCI outputs. Measured on rising edge at 1.5V. CPU leads PCI output. | 1.5 | | 4 | ns |
| f_{ST} | Frequency Stabilization from Power-up (cold start) | Assumes full supply voltage reached within 1 ms from power-up. Short cycles exist prior to frequency stabilization. | | | 3 | ms |
| Z_O | AC Output Impedance | Average value during switching transition. Used for determining series termination value. | | 30 | | Ω |

REF0:1 Clock Outputs (Lump Capacitance Test Load = 20 pF)

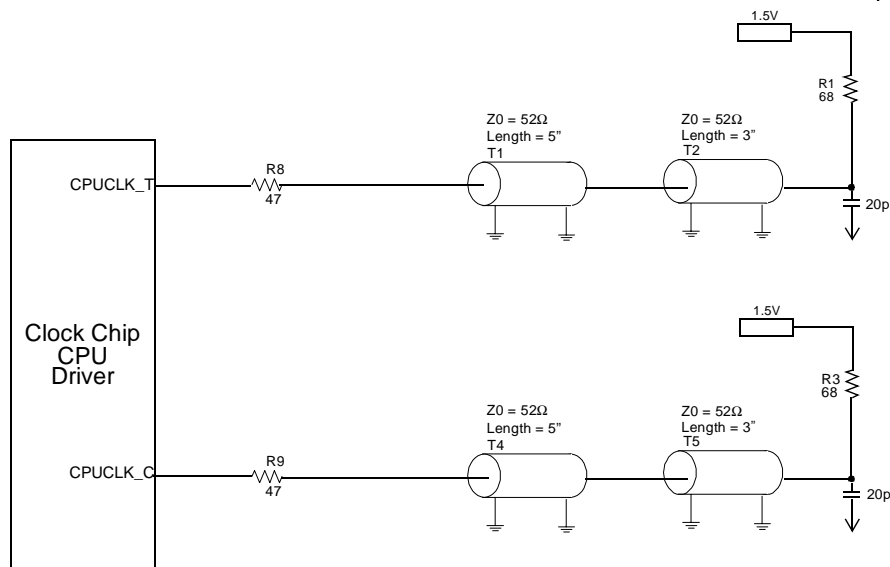
| Parameter | Description | Test Condition/Comments | Min. | Typ. | Max. | Unit |
|-----------|--|---|--------|------|------|----------|
| f | Frequency, Actual | Frequency generated by crystal oscillator | 14.318 | | | MHz |
| t_R | Output Rise Edge Rate | Measured from 0.4V to 2.4V | 0.5 | | 2 | V/ns |
| t_F | Output Fall Edge Rate | Measured from 2.4V to 0.4V | 0.5 | | 2 | V/ns |
| t_D | Duty Cycle | Measured on rising and falling edge at 1.5V | 45 | | 55 | % |
| f_{ST} | Frequency Stabilization from Power-up (cold start) | Assumes full supply voltage reached within 1 ms from power-up. Short cycles exist prior to frequency stabilization. | | | 3 | ms |
| Z_O | AC Output Impedance | Average value during switching transition. Used for determining series termination value. | | 40 | | Ω |

48-MHz Clock Output (Lump Capacitance Test Load = 20 pF)

| Parameter | Description | Test Condition/Comments | Min. | Typ. | Max. | Unit |
|-----------|--|---|--------|------|------|----------|
| f | Frequency, Actual | Determined by PLL divider ratio (see m/n below) | 48.008 | | | MHz |
| f_D | Deviation from 48 MHz | $(48.008 - 48)/48$ | +167 | | | ppm |
| m/n | PLL Ratio | $(14.31818 \text{ MHz} \times 57/17 = 48.008 \text{ MHz})$ | 57/17 | | | |
| t_R | Output Rise Edge Rate | Measured from 0.4V to 2.4V | 0.5 | | 2 | V/ns |
| t_F | Output Fall Edge Rate | Measured from 2.4V to 0.4V | 0.5 | | 2 | V/ns |
| t_D | Duty Cycle | Measured on rising and falling edge at 1.5V | 45 | | 55 | % |
| f_{ST} | Frequency Stabilization from Power-up (cold start) | Assumes full supply voltage reached within 1 ms from power-up. Short cycles exist prior to frequency stabilization. | | | 3 | ms |
| Z_O | AC Output Impedance | Average value during switching transition. Used for determining series termination value. | | 40 | | Ω |

24-MHz Clock Output (Lump Capacitance Test Load = 20 pF)

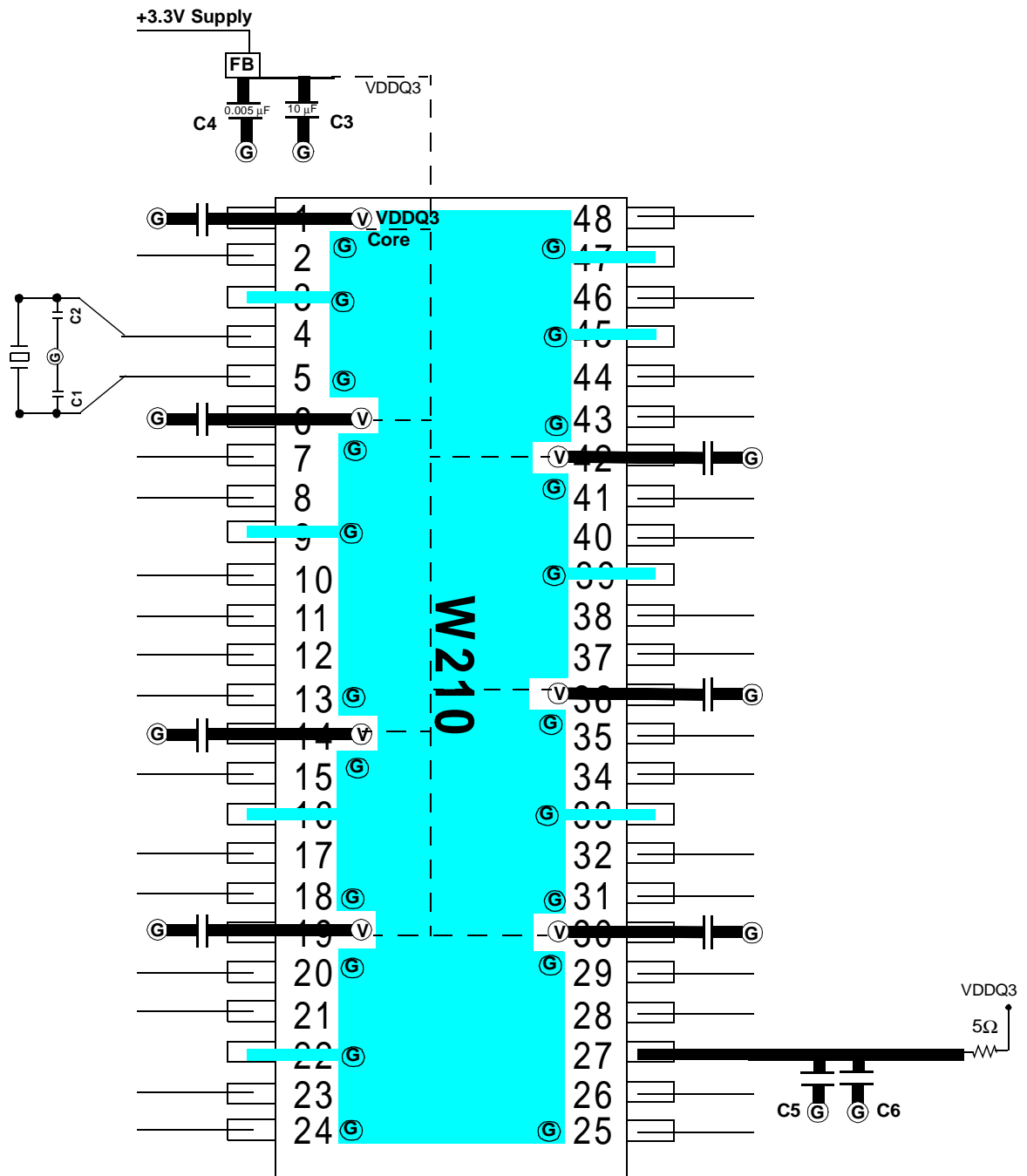
| Parameter | Description | Test Condition/Comments | Min. | Typ. | Max. | Unit |
|-----------------|--|---|--------|------|------|------|
| f | Frequency, Actual | Determined by PLL divider ratio (see m/n below) | 24.004 | | | MHz |
| f _D | Deviation from 24 MHz | (24.004 – 24)/24 | +167 | | | ppm |
| m/n | PLL Ratio | (14.31818 MHz x 57/34 = 24.004 MHz) | 57/34 | | | |
| t _R | Output Rise Edge Rate | Measured from 0.4V to 2.4V | 0.5 | | 2 | V/ns |
| t _F | Output Fall Edge Rate | Measured from 2.4V to 0.4V | 0.5 | | 2 | V/ns |
| t _D | Duty Cycle | Measured on rising and falling edge at 1.5V | 45 | | 55 | % |
| f _{ST} | Frequency Stabilization from Power-up (cold start) | Assumes full supply voltage reached within 1 ms from power-up. Short cycles exist prior to frequency stabilization. | | | 3 | ms |
| Z _O | AC Output Impedance | Average value during switching transition. Used for determining series termination value. | | 40 | | Ω |


Figure 5. K7 Open Drain Clock Driver Test Circuit
Ordering Information

| Ordering Code | Package Name | Package Type |
|---------------|--------------|------------------------|
| W210 | H | 48-pin SSOP (300 mils) |

Document #: 38-00846-C

Layout Diagram

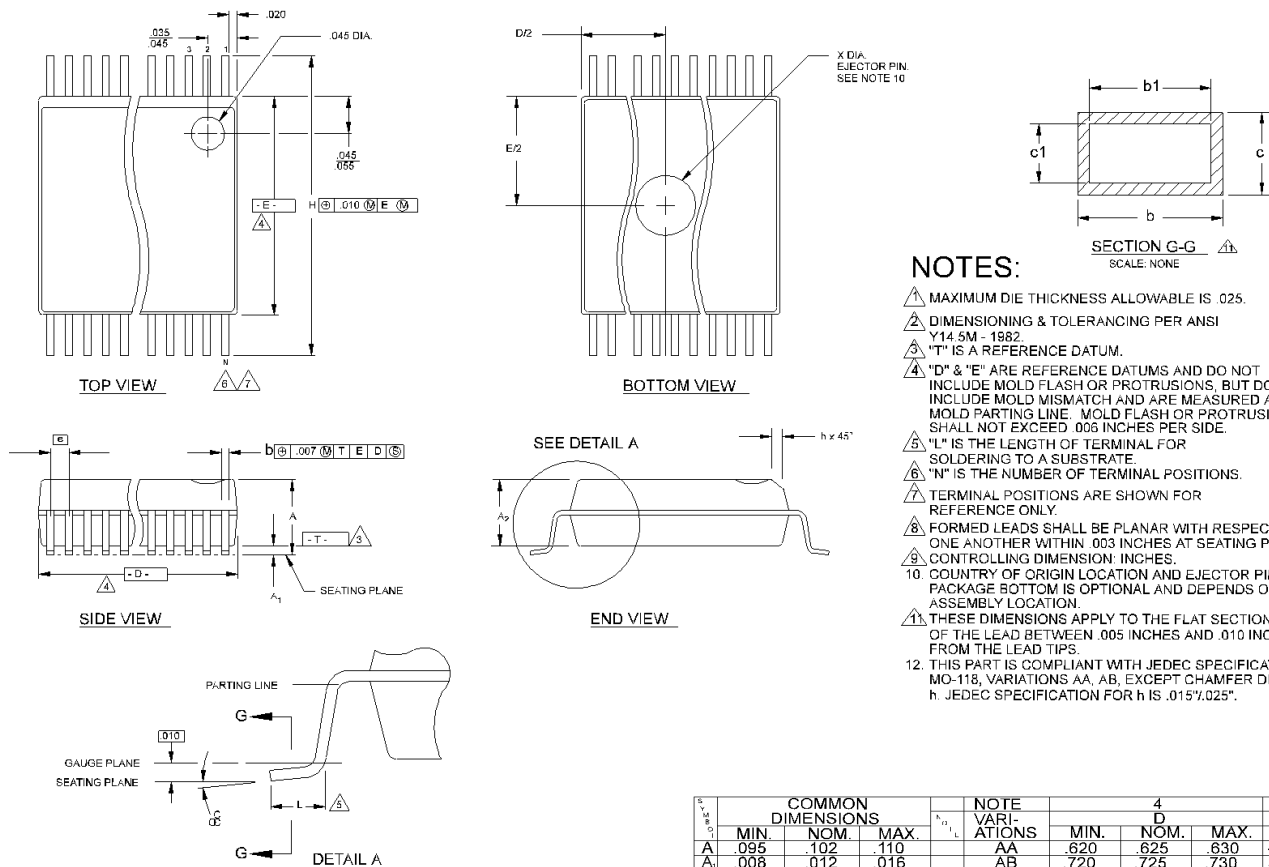


FB = Dale ILB1206 - 300 (300Ω @ 100 MHz)

C1 & C3 = 10–22 μF C2 & C4 = 0.005 μF C5 = 47 μF C6 = 0.1 μF

⊗ = VIA to GND plane layer ⊕ = VIA to respective supply plane layer

Note: Each supply plane or strip should have a ferrite bead and capacitors.

Package Diagram
48-Pin Small Shrink Outline Package (SSOP, 300 mils)

NOTES:

1. MAXIMUM DIE THICKNESS ALLOWABLE IS .025.
2. DIMENSIONING & TOLERANCING PER ANSI Y14.5M - 1982.
3. "T" IS A REFERENCE DATUM.
4. "D" & "E" ARE REFERENCE DATUMS AND DO NOT INCLUDE MOLD FLASH OR PROTRUSIONS, BUT DOES INCLUDE MOLD MISMATCH AND ARE MEASURED AT THE MOLD PARTING LINE. MOLD FLASH OR PROTRUSIONS SHALL NOT EXCEED .006 INCHES PER SIDE.
5. "L" IS THE LENGTH OF TERMINAL FOR SOLDERING TO A SUBSTRATE.
6. "N" IS THE NUMBER OF TERMINAL POSITIONS.
7. TERMINAL POSITIONS ARE SHOWN FOR REFERENCE ONLY.
8. FORMED LEADS SHALL BE PLANAR WITH RESPECT TO ONE ANOTHER WITHIN .003 INCHES AT SEATING PLANE.
9. CONTROLLING DIMENSION: INCHES.
10. COUNTRY OF ORIGIN LOCATION AND EJECTOR PIN ON PACKAGE BOTTOM IS OPTIONAL AND DEPENDS ON ASSEMBLY LOCATION.
11. THESE DIMENSIONS APPLY TO THE FLAT SECTION OF THE LEAD BETWEEN .005 INCHES AND .010 INCHES FROM THE LEAD TIPS.
12. THIS PART IS COMPLIANT WITH JEDEC SPECIFICATION MO-118, VARIATIONS AA, AB, EXCEPT CHAMFER DIMENSION h. JEDEC SPECIFICATION FOR h IS .015".025".

Summary of nominal dimensions in inches:

Body Width: 0.296
Lead Pitch: 0.025
Body Length: 0.625
Body Height: 0.102

| DIMENSION | COMMON DIMENSIONS | | | NOTE VARIATIONS | 4 D | | | 6 N |
|----------------|-------------------|------|-------|-----------------|------|------|------|-----|
| | MIN. | NOM. | MAX. | | MIN. | NOM. | MAX. | |
| A | .095 | .102 | .110 | | | | | |
| A ₁ | .008 | .012 | .016 | AA | .620 | .625 | .630 | 48 |
| A ₂ | .088 | .090 | .092 | AB | .720 | .725 | .730 | 56 |
| b | .008 | .010 | .0135 | | | | | |
| b ₁ | .008 | .010 | .012 | | | | | |
| c | .005 | - | .010 | | | | | |
| c ₁ | .005 | .006 | .0085 | | | | | |
| D | SEE VARIATIONS | | | 4 | | | | |
| E | .292 | .296 | .299 | | | | | |
| e | .025 BSC | | | | | | | |
| H | .400 | .406 | .410 | | | | | |
| h | .010 | .013 | .016 | | | | | |
| L | .024 | .032 | .040 | | | | | |
| N | SEE VARIATIONS | | | 6 | | | | |
| X | .085 | .093 | .100 | 10 | | | | |
| α | 0° | 5° | 8° | | | | | |

THIS TABLE IN INCHES

| DIMENSION | COMMON DIMENSIONS | | | NOTE VARIATIONS | 4 D | | | 6 N |
|----------------|-------------------|-------|-------|-----------------|-------|-------|-------|-----|
| | MIN. | NOM. | MAX. | | MIN. | NOM. | MAX. | |
| A | 2.41 | 2.59 | 2.79 | | | | | |
| A ₁ | 0.20 | 0.31 | 0.41 | AA | 15.75 | 15.88 | 16.00 | 48 |
| A ₂ | 2.24 | 2.29 | 2.34 | AB | 18.29 | 18.42 | 18.54 | 56 |
| b | 0.203 | 0.254 | 0.343 | | | | | |
| b ₁ | 0.203 | 0.254 | 0.305 | | | | | |
| c | 0.127 | - | 0.254 | | | | | |
| c ₁ | 0.127 | 0.152 | 0.216 | | | | | |
| D | SEE VARIATIONS | | | 4 | | | | |
| E | 7.42 | 7.52 | 7.59 | | | | | |
| e | 0.635 BSC | | | | | | | |
| H | 10.16 | 10.31 | 10.41 | | | | | |
| h | 0.25 | 0.33 | 0.41 | | | | | |
| L | 0.61 | 0.81 | 1.02 | | | | | |
| N | SEE VARIATIONS | | | 6 | | | | |
| X | 2.16 | 2.36 | 2.54 | 10 | | | | |
| α | 0° | 5° | 8° | | | | | |

THIS TABLE IN MILLIMETERS